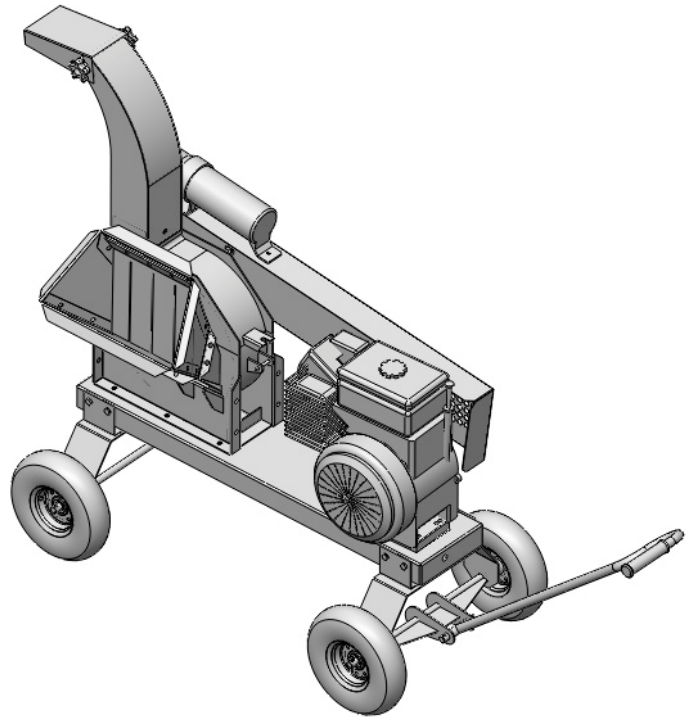




User Manual



Heavy Duty Wood Chipper

2.5" **YB2510**

WARNING



Read and follow all instructions in this manual before attempting to operate this machine. Please keep this manual available for consultation at any time. Read it thoroughly and become familiar with the operating instructions, maintenance and security indications. Failure to follow these instructions can result in serious injury to yourself and others.

Rederick Metal Industries Corp.
1925 NW 21st Terrace
Miami, FL 33142

www.yardbeast.com | (305) 396-3396

THANK YOU!

We are very grateful that you have purchased a wood chipper manufactured by us. The same has been designed and carefully fabricated to give you excellent performance, great reliability and exceed your expectations.

Please read carefully and follow all the instructions in this manual before operating this wood chipper. This manual tells you how to set up, operate and maintain this machine safely and easily. Make sure to follow all recommended safety measures, and instruct any other person operating this chipper. Failure to comply, could result in personal injury to the operators and others. All information contained in this manual refers to the latest product information available at the time of printing. It is recommended that you review the manual frequently to familiarize yourself with the unit, operation and its features.

We are developing and improving our equipment continuously (Kaizen); if you have a problem, doubt, or if any information in this manual does not match what is on your wood chipper, don't hesitate to your dealer or authorized service representative, or any case please contact us directly. The phone numbers, web site and mailing address of Rederick Metal Industries Corp. are located on the next page. In the case that your wood chipper is equipped with an engine; the engine manufacturer is responsible for all matters related to the performance, power output, specifications, warranty and maintenance of it. For more information see the Owner's Manual/ Operator delivered by the engine manufacturer. This is shipped in a separate packaging, together with its unit.

INDEX

Important safety measures.....	3
Assembly of the 2510.....	8
Controls and Features.....	11
Operation.....	12
Maintenance and Adjustment.....	13
Servicing.....	15
Troubleshooting.....	17
Parts Replacement.....	18
Warranty Information.....	19
Parts list.....	20

PRODUCT REGISTRATION

Before you assemble and use your new wood chipper, please locate the information plate on the unit and record the information in the boxes located at the bottom of this page. The plate is located in the lower left part of the machine on the feed hopper side. If you have to request technical support via our web site, phone customer support, or a dealer/servicing dealer, you will need this information.

MODEL NUMBER

<input type="text"/>	<input type="text"/>	<input type="text"/>	<input type="text"/>	<input type="text"/>	<input type="text"/>
----------------------	----------------------	----------------------	----------------------	----------------------	----------------------

SERIAL NO.

<input type="text"/>	<input type="text"/>	<input type="text"/>	<input type="text"/>
----------------------	----------------------	----------------------	----------------------

CUSTOMER SUPPORT

In case you have problems to assemble this wood chipper or have questions with regard to the controls, operation or maintenance of the same, you can request assistance from us. You can choose the options that are presented below: 1925 NW 21 ST TERRACE, Miami, FL 33142 /Phones: (305)-396-3396/ web site: www.yardbeast.com

IMPORTANT SAFETY MEASURES

This machine is designed to be used in compliance with safety regulations contained in this manual. As with any type of motorized equipment, an error or negligence on the part of the operator can cause serious injury.

This machine is capable of amputating fingers and hands; it also expel foreign objects with great force, that can cause damage to a person by facial and body exposure.

In case of any emergency, attempt to shut off engine and seek immediate help.



The presence of this symbol indicates that these are important safety instructions that must be followed in order to avoid putting at risk your personal safety and other's. Read and follow all the instructions in this manual before operating this machine.

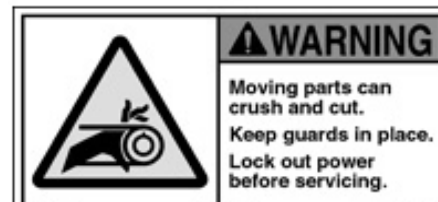
When you see this symbol:



Keep Warnings in mind.

SYMBOL IDENTIFICATION

It is important that the operator understands the safety symbols that are located in different places of this wood chipper. Below are the list of symbols and the information expressed within.





Wear Ear Protection



Wear Eye Protection



Wear Safety Gloves



No hands beyond this point



Caution

Protective equipment required for the operation of this equipment.

- Safety goggles
- Safety gloves
- Hearing protection.
- Appropriate outwear (preferably long-sleeved shirts and trousers for work)

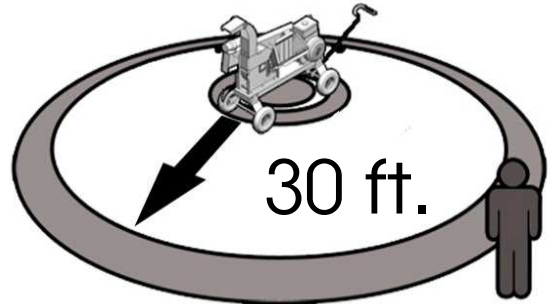
IMPORTANT FACTS ABOUT THE EQUIPMENT

USE PROTECTION

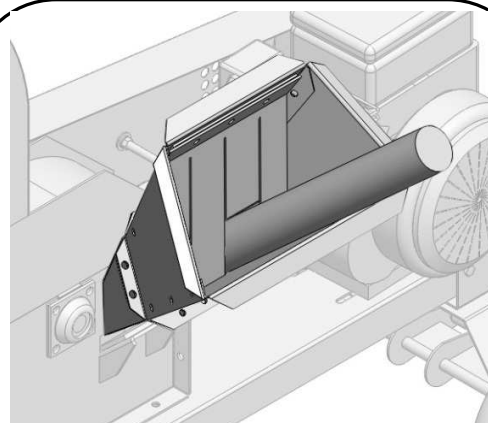
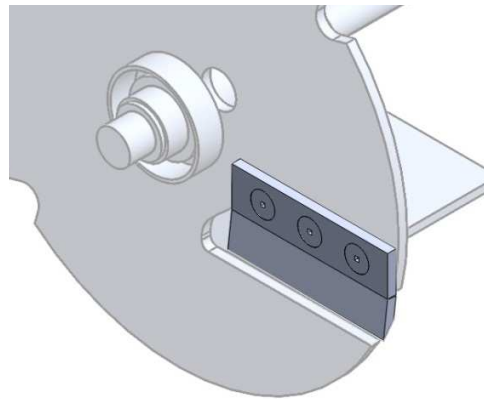


104dB

ONLOOKERS AWAY AT:



INSPECT BLADES BEFORE EACH USE



2.5"



contained in this manual. No persons below 16 years of age should operate this equipment.

4. Without receiving appropriate instructions, do not allow anyone to operate this machine.
5. Do not turn ON the chipper in closed spaces or in an area with little ventilation. The gases from the engine exhaust contain carbon monoxide, a lethal gas which is odorless.
6. Use appropriate protective equipment in each operation.
7. Don't put your hands close to the parts that are in motion or inside the feed hopper -as indicated in the prints - when in operation. Be careful not to touch any surface which is heated during the operation and remains as such for a long time after the wood chipper is shut down.
8. Stay away from the discharge, wood debris is expelled with great speed that can produce facial or body damage.
9. Do not operate the chipper if its belt guard is removed.
10. Keep the passersby away from the chipper while it is running. Do not allow the presence of minors in the work area. Stop the machine if anyone enters the area.
11. Turn off the engine and disconnect the spark plug before servicing the equipment.

Train Yourself

1. Read, understand and comply with all instructions included in this manual and in the machine before assembling and putting it into operation. Keep this manual in a safe place for future reference, as well as for ordering spare parts.
2. Familiarize yourself with all of the controls. Please know how to stop the chipper when it is operating and how to manipulate the controls quickly.
3. Persons older than 16 years of age, must read and understand the operating instructions as well as the safety rules

Preparations before chipping

1. Carefully inspect the area where the equipment will be used.
2. Protect your eyes, always use safety glasses while operating this machine. Otherwise, objects thrown that bounce can seriously injure your sight.
3. Use ear protection. This will protect you from the noise produced by the chipper when you feed the material into the hopper.

4. Use work gloves with palm of leather or industrial cotton when you feed the material into the hopper. Before you turn on the machine, check all bolts and accessories to ensure that the machine is in safe operating condition.

5. Perform a visual inspection of the machine in frequent intervals to check whether the chippers has suffered any important damage.

6. Maintain and replace the safety labels and instructions as necessary.

Safe Handling of Fuel

To avoid personal injury or property damage, be very careful when handling fuel. The fuel that is used, whether diesel or gasoline is highly flammable and the vapors are explosive. You can be seriously injured if fuel is spilled on yourself or your clothes which can ignite. Wash your skin and change clothes immediately.

1. Use only containers approved for Gasoline or Diesel .

2. Never fill containers inside a vehicle or truck. Always place containers on the ground away from your vehicle before filling.

3. Keep the nozzle in contact with the edge of the entrance to the engine fuel tank or container at all times until it is full at recommended engine manufacturer specifications.

4. No smoking should take place. Turn off all cigarettes, cigars, pipes and other sources of ignition.

5. Never refuel the machine indoors.

6. Never remove gas cap or add fuel

while the engine is hot or running . Allow engine to cool at least two minutes before re- fueling .

7. Never overfill the fuel tank . Fill tank to no more than 1/ 2 inch below the base of the neck of the thread to allow room for fuel expansion.

8. Place the fuel cap back on and tighten securely .

9. Clean up spilled fuel on the engine and equipment. Move machine to another area. Wait 5 minutes before starting the engine.

Operation of the Wood Chipper

1. Check the oil and fuel level before starting the engine.

2. Do not put hands near rotating parts or power inputs . Contact with the chipper and rotating parts –while in operation- can seriously damage fingers, hands .

3. Before operating the machine , open it. Check and clean the rotor of foreign debris objects , make sure the cutting chamber is empty and free of any foreign material.

4. Thoroughly inspect all material to to be chipped and remove any foreign objects -such as nails, glass, steel wire, etc- that could cause injury to you or damage the machine.

5. Do not attempt to chop material larger than specified in this manual. Puts you and the machine at risk.

6. Keep all guards and safety elements in place and in good condition.

7. Do not operate this machine while under the influence of alcohol or drugs.
8. Never operate this machine without good visibility or light .
9. If the engine is hot, do not touch as it may cause severe burns.
10. Do not attempt to move the chipper while the engine is running .
11. While feeding material into the machine, keep your face and body behind the discharge zone .
12. Never attempt to unclog the outlet or discharge opening while the engine is running. Turn off the engine and wait until all moving parts are at a complete stop.
- 13 . If any situations occur which are not covered in this manual, be careful and use common sense. Swiftly turn off the chipper and then contact us for further advise on your situation.

Maintenance and Storage

1. Never tamper with the safety components recklessly . Check periodically that they are functioning properly.
- 2 . Make sure all screws, bolts , pins and cotter pins are in good condition to make sure the machine is in safe operating condition . Also , visually inspect the chipper to control if it is damaged and determine if repair is necessary.
3. Lubricate the bearing often as maintenance chart (found below) to avoid wear , it also protects from corrosion and reduces heat , prolonging its life.
4. Before cleaning, repairing or inspecting the chipper, stop the engine and check all moving parts have stopped.

- 5 . Do not change the engine governor settings or overspeed the same . The governor controls the maximum safe operating speed of the engine.
6. Maintain or replace safety and instruction labels as necessary.
7. Follow the instructions in this manual safely storing this machine off season.
8. Never store the chipper or fuel container in an enclosed space where there is presence of flame, spark or pilot light such as water heaters, furnaces, clothes dryers, etc.
9. Allow machine to cool at least 5 minutes before storing after shutting it down.
10. Always refer to the operator manual for proper instructions for off-season storage.
11. If you need to empty the fuel tank, do this outdoors.
12. Observe the rules of proper disposal laws and regulations for gas, fuel, oil, etc. to protect the environment.



DO NOT MODIFY ENGINE

To avoid serious injury, do not modify the engine in any way. If you change the engine governor settings, it can get out of control and operate at unsafe speeds and off-spec. **Never change the factory settings of the engine.**

Installation and Setup

Cage Metal Content:

- 1 Wood Chipper
- 1 Discharge neck

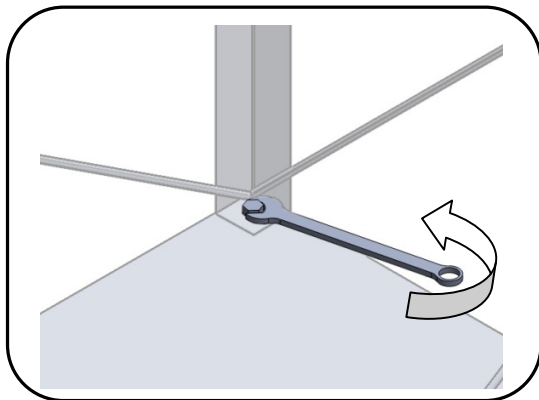
- 1 Feed hopper.
- 1 Bag of nuts and bolts that includes:
Bolts, washers, nuts, cotter pins, rotating shaft
hopper clamps, etc.
- 2 Axles (Rotating, Fixed)
- 4 Wheels
- Manuals and Operator safety accesories.

Assembly of the YARDBEAST 2510

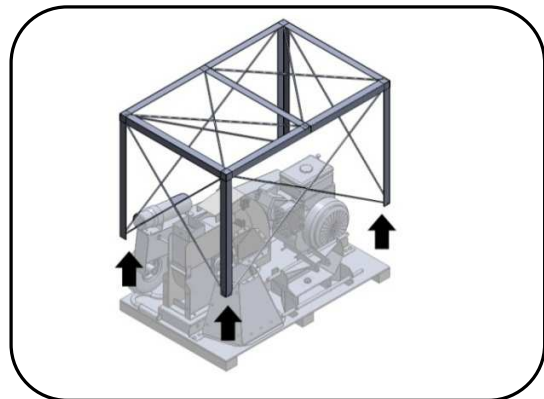
Note: This unit is shipped without fuel and without oil in the engine. Fill with either diesel fuel or gasoline (depending on the engine type) and oil as indicated in the instructions in the engine manual BEFORE operating your wood chipper.

❖ Taking shipping cage off.

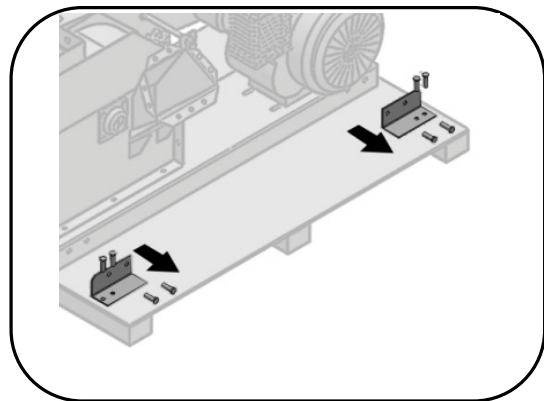
1. Remove plastic packing
2. Unscrew the legs of the cage as shown in next Figure.



3. Remove upwards (use 2 people if possible) as shown in next Figure.



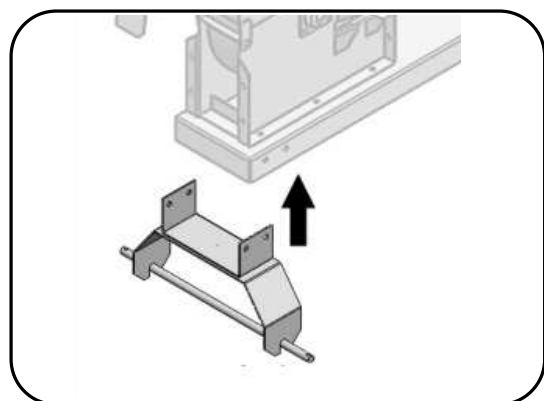
4. Remove the grinder removing the platform anchoring ships. See Fig.



❖ Axle Assembly

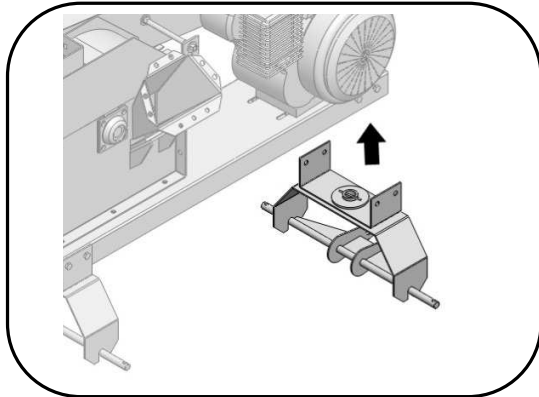
1. Inserting front axle and bolt it as shown in Fig.

- a. 4 Hex Bolts 3/8 "x 1"
- b. 4 Hex Nuts 3/8 "
- c. 4 Pressure Washers 3/8 "
- d. Plain Washers 4 3/8 "

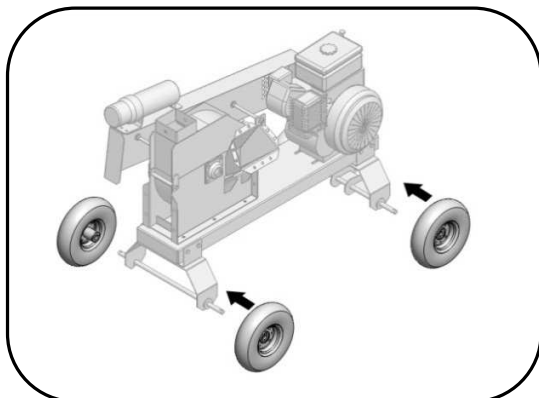


-Inserting rotating axle and boltit as shown in Figure below.

- a. 4 Hex Bolts 3/8 "x 1"
- b. 4 Hex Nuts 3/8 "
- c. 4 Pressure Washers 3/8 "
- d. Plain Washers 4 3/8 "

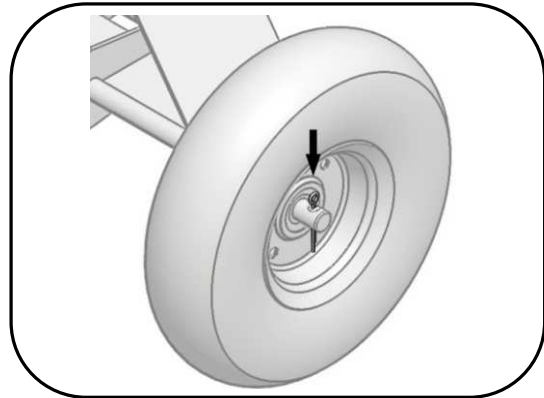


-Insert tires in their respective shafts



-Place safety pin across each shaft with pliers and warp them to prevent loosen of your tires in operation, as shown in Fig.

- 4- 5/8" Washers
- 4 Cotter Pins 3/16 "x 1"

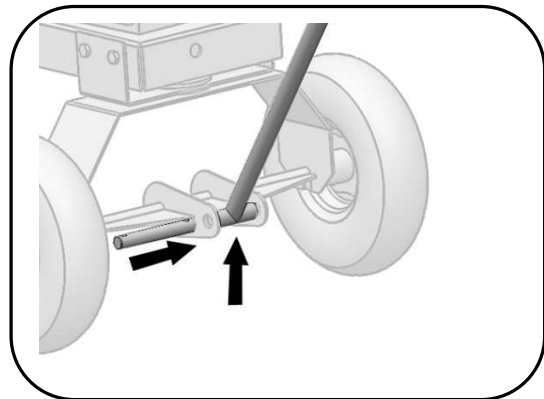


❖ Pull Assembly

-Next figure shows the assembly of the pull bar..

-Secure in place using safety cotter pins and deforming to prevent slipping of the pin.

Nuts and Bolts: 1/8 "x 1" cotter pins (2 units)

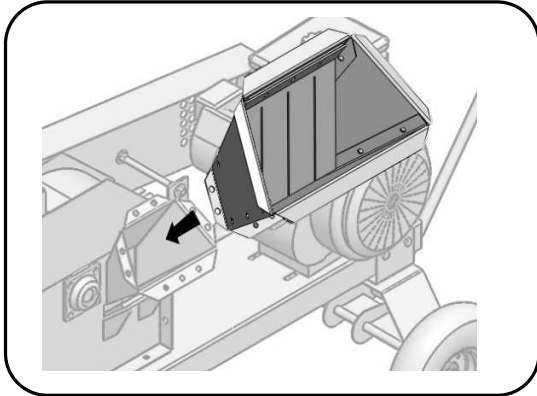


❖ Feed Hopper Assembly

-Assemble the hopper as shown in Fig.

Nuts and bolts:

- a. 9-Hex Bolts 1/4 "x 1"
- b. 9-Pressure Washers 1/4 "
- c. 9-Plain Washers 1/4 "
- d. 9-Hex nuts 1/4 "

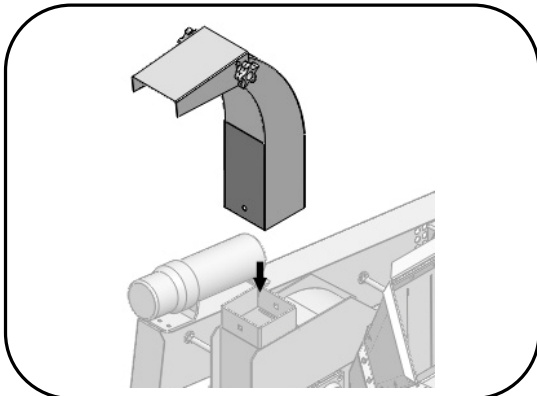


❖ Discharge Assembly

1. Locate discharge neck as shown in the figure and secure it to the chipper.
2. Make sure the carriage bolts are placed inside out so the head is inside the discharge.

Nuts and bolts:

- a. 2 Carriage Bolts 3/8 "x 1"
- b. 2 Pressure Washers 3/8 "
- c. 2 Hex nuts 3/8 "

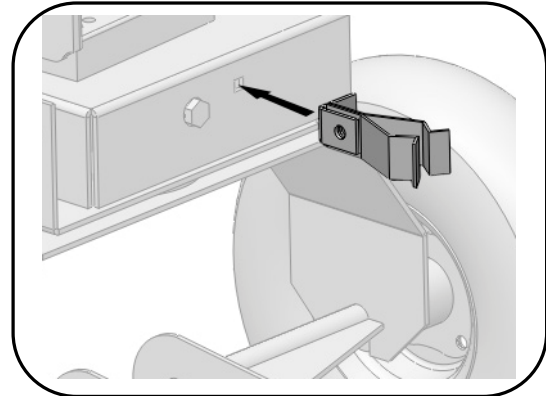


❖ Pull Holder Assembly

1. Set pull holder as shown in Fig.
2. Secure in place using carriage bolt.

Nuts and bolts:

- a. 1 Carriage Bolt 1/4 "x 1"
- b. 1 Pressure washer 1/4 "
- c. 1 Hex nut 1/4 "

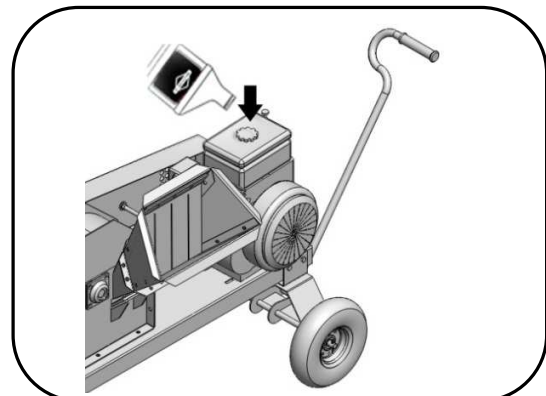


Setting up your Wood Chipper

Fuel & Oil

Read and follow all instructions in the engine manual for more information on this matter.

Once you have finished assembling your wood chipper, you must prepare your engine for the first start. Locate the fuel cap in the top of the engine and remove it. You should **fill the tank engine with approximately 2.5 liters of clean, fresh fuel.**



ADVERTENCIA

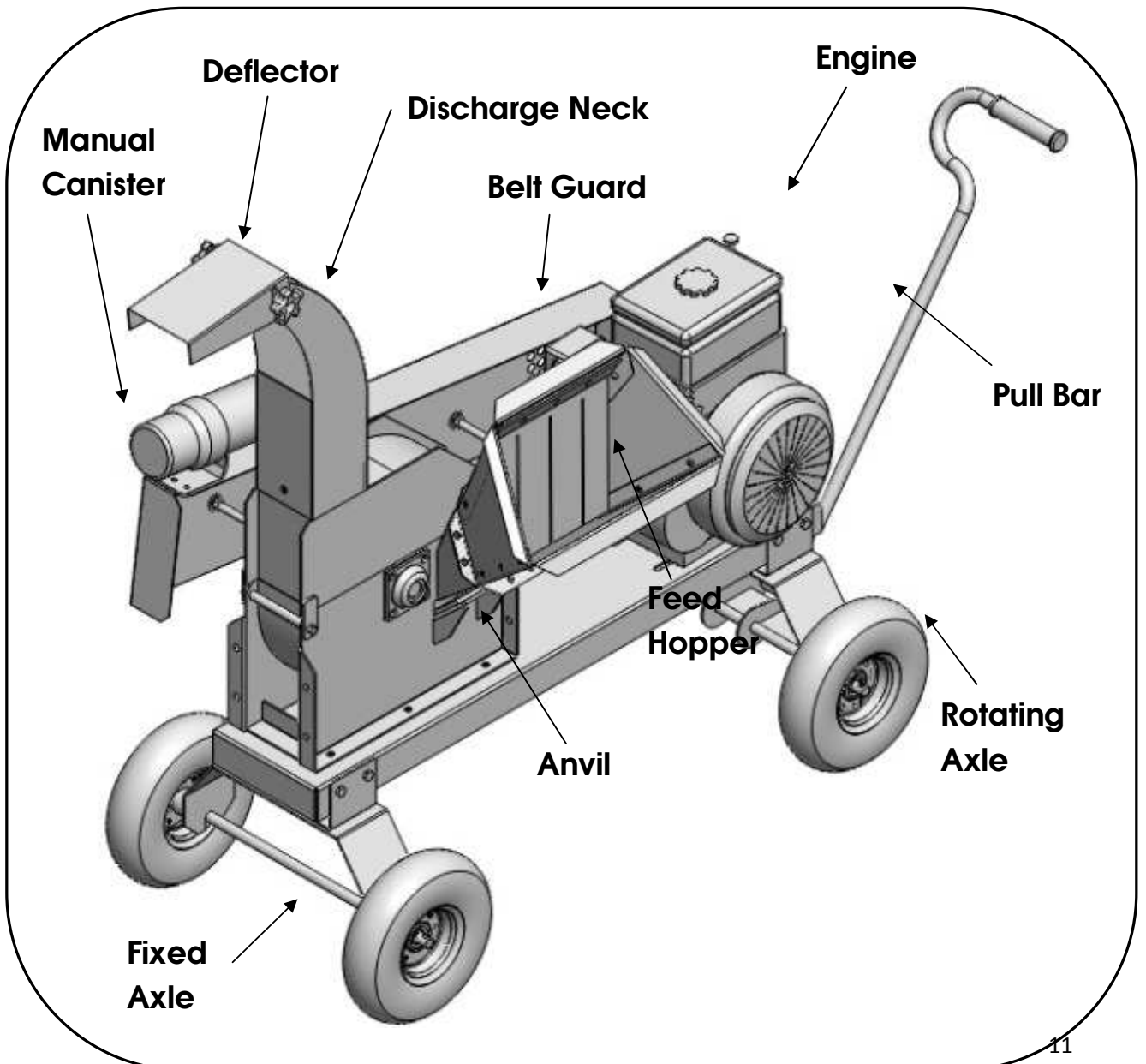


Use extreme caution when handling fuel. Fuel is highly flammable and the vapors are explosive. Never fuel the machine indoors or while the engine is running or hot. Extinguish cigarettes, cigars, pipes and other sources of ignition.

These are some of the wood chipper features and controls you should be aware of to familiarize yourself with the chipper.

It is very important you understand its components for a safe operation of the machine and further instruct someone else on the operation of this chipper if needed.

CONTROLS & FEATURES

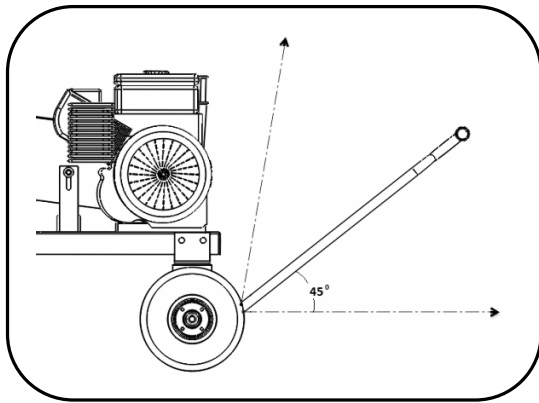




use safety protection, this chipper expels wood chips with great force by design.

IMPORTANT: Never place wood in the hopper with a diameter greater than 2-1/2 ". Doing so could damage the blades and jeopardize the integrity of the machine.

PULL: The pull is used to manually transport the chipper to the place of operation. Try to turn the pull at less than 45 degrees to avoid any stress on the pin.



ENGINE: See engine operation manual that came with your unit. This is located inside the manual holder for the location and operation of the motor.

MANUAL CANISTER: Keep the user manual of the chipper and the engine inside the manual canister –as well as safety accessories if needed- for future reference.

DISCHARGE DEFLECTOR: use the discharge neck deflector to adjust the distance of discharge of material to be chopped.



WARNING Use protective gear ,and to adjust the discharge neck, if this is done without protection, it can seriously damage the eyes and cause facial

and body damage.

OPERATION

Working with your Wood Chipper

The material to be chipped enters the cutting area through the feed hopper where this is impacted by a sharp blade, which together with the anvil, produces scissor cutting effect. Once cut and desintegrated by the back flaps, the material is radially ejected through the discharge neck.

Starting your Engine

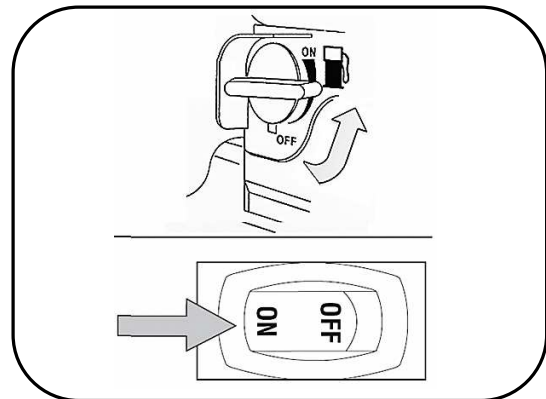



WARNING

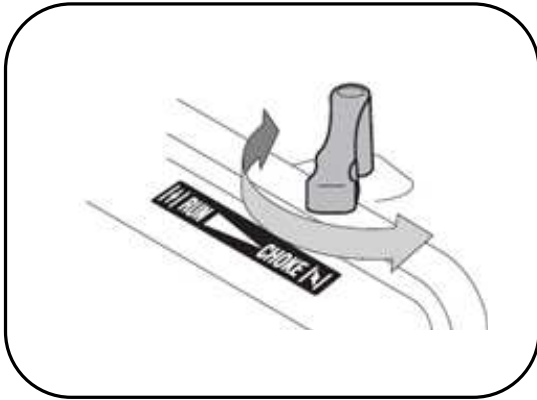
Never run an engine indoors or in a poorly ventilated area. Engine exhaust contains carbon monoxide, an odorless and deadly gas.

To start the engine, please follow these steps:

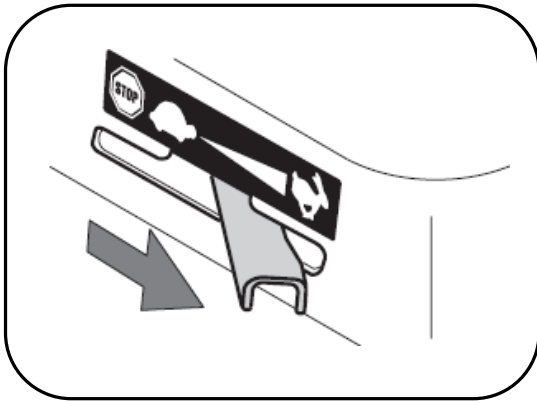
1. Turn the fuel valve to the ON position and the switch in the ON position. (If equipped) See Fig.



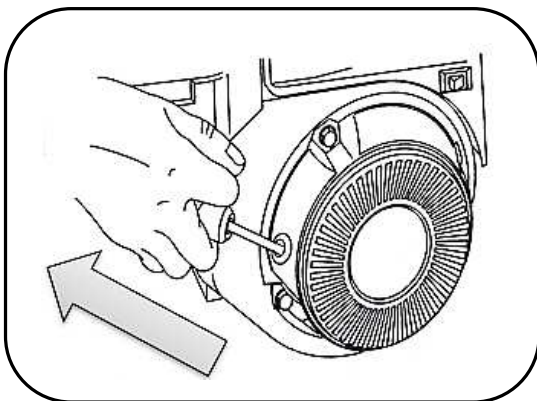
2. Move the throttle control lever to the choke position. See Figure. 



3. Move the lever throttle control to the fast position. See the figure.



4. Firmly hold the handle of the starter rope, pull the starter cord slowly until resistance is felt, then pull rapidly.



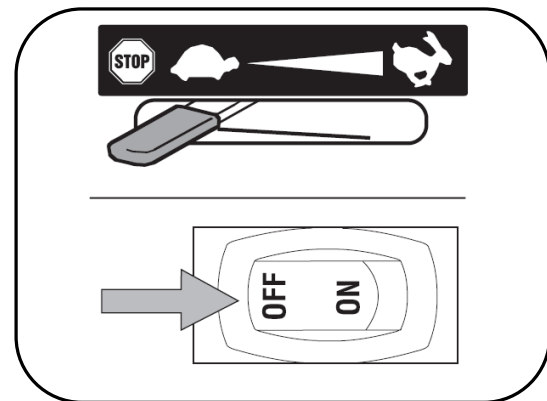
5. If the engine does not start, repeat again the previous three steps until engine fires.

6. Once the engine starts to run, quickly turn the throttle lever (choke) to the **RUN** position.

7. If for some reason the rotor stops spinning, the engine loses power but it doesn't shut down, is because this chipper is equipped with a centrifugal clutch that only engages when it passes a certain amount of RPMs. Turn off the engine (as directed below) and check what is blocking the rotor.

Stopping your engine

1. Move the throttle lever to the start position, where it was in the beginning (slow position).



2. Shut the fuel valve and turn the engine switch OFF.

MAINTENANCE

General recommendations :

1. Always observe safety rules when performing maintenance.
2. The warranty on this wood chipper, does not cover items that have been subjected to wear, misuse or negligence of the operator. To receive any warranty benefits; the operator must have maintained the equipment as indicated in this manual.

3. All settings (blade, anvil, etc.) should be checked at least once before each use.

4. Periodically check all bolts, nuts, safety pins, etc.



WARNING

Stop the engine and disconnect the spark plug before servicing equipment.

Lubrication

1. Lubricate the rotating elements such as rotor, bearings once a season.
2. Follow engine manual for engine lubrication instructions.

Wood Chipper Maintenance Schedule Chart

Before each use
• Check power belt
• Check blade and anvil
Every 25 hours
• Bearings are sealed so they don't need lube
• Regrind blade
• Regrind anvil

Engine Maintenance

Use only original spare parts for the engine. Other parts may not perform as well damaging the unit; and may cause injury. Moreover, the use of other parts may void your warranty.

Exhaust Gases Control

Maintenance, replacement or repair of devices and emission control systems may be performed by any manufacturer authorized establishment for these engines. Refer to engine manual for more information

or contact us. We will be glad to help.



WARNING

Unintentional sparking can result in fire or electric shock.

Before making adjustments or repair into the unit.

- Disconnect the spark plug.
- Disconnect battery at negative terminal (only engines with electric start).
- Use only correct tools.
- Replacement parts must be the same and installed in the same position as the original parts.
- Do not strike the flywheel with a hammer or hard metal object. Bearings suffer the load.

When checking for sparks

- Use an approved tester.
- Do not check for spark with spark arrestor removed.

Engine Maintenance Chart.

First 5 hours of use
• Change oil
Every 8 hours of use
• Check Oil Level
• Clean area around exhaust, controls and air intake.
• Clean recoil grille
Every 25 hours of use
• Clean air filter**
• Clean pre-filter (if fitted)
Every 50 hours of use
• Change oil
• Replace Oil Filter
• Check muffler and spark arrestor
Annually
• Change air filter.**
• Replace pre-filter (if equipped)
• Replace spark plug
• Clean air cooling components
• Replace Fuel Filter (if equipped)
• Check valve tolerance*

** Clean filters and air intakes more often in dusty conditions or when there is high density of airborne

* Not required unless engine performance problems are detected.

Replacing Power Belt

1. Stop the engine, disconnect the spark plug and check that the engine has stopped completely.
2. Remove the bolts holding the belt guard and remove.
3. Loosen the bolts holding the engine at its base.
4. Adjust belt tension by loosening the tensioner bolt unscrewing basis, use a wrench 9/16 " hex wrench.
5. Proceed to replace and adjust tension again until it is felt tight by pressing down with the finger.
6. Bolt the belt guard in the same way it was disassembled.

Cleaning of the equipment

Carefully clean the cutting chamber after each use.

WARNING



The rotor blade is sharp. Wear leather gloves to protect your hands when cleaning the cutting chamber.

NOTE: Blasting pressurized water is not recommended.

Taking care of your engine

NOTE: Review the sections of maintenance and operation of the engine manual for detailed instructions.

1. Check the oil level.
2. Clean the engine regularly with a cloth or brush. Keep clean the air

intake system to allow proper air circulation. Remove all grass, dirt and combustible debris from muffler area.

SERVICING

Rotor Blade

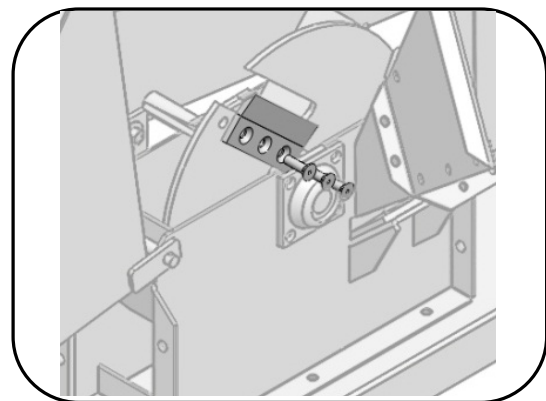
WARNING



The rotor blade is sharp. Wear leather gloves to protect your hands when the cleaning cutting chamber.

Blade re-sharpening

1. Stop the engine, disconnect the spark plug and check that the rotor of the chipper has stopped completely.
2. Open chipper loosening the lock knob.
3. Remove the bolts securing the blade to the rotor using a 5mm Allen key and a 9/16" hex wrench.
4. Remove the blade and proceed to change or blade sharpening.
5. Blade must be sharpened at a 30deg. angle and must not overheat to lose its heat treatment properties.
6. Tighten the bolts again.

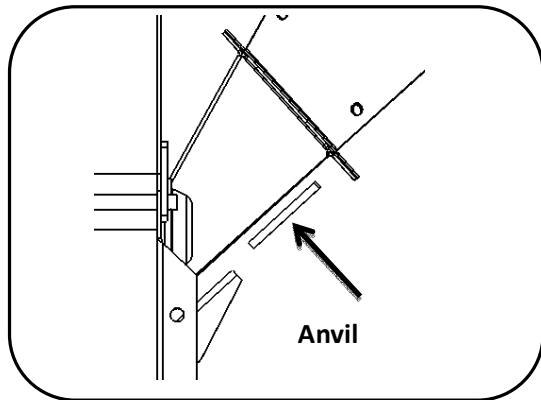


NOTE: To remove the blade's bolts, it is recommended to place a piece of wood in between the rotor and the outside edge to

prevent it from rotating when loosening the bolts.

Anvil sharpening or adjustment

1. Loosen the bolts from under the anvil bed. Use a 9/16 "Hex Wrench and 5mm Allen key.
2. Between the blade and the anvil, you must leave a space of approximately 3/32" (2.38mm). This clearance is important to ensure best chipping performance
3. Make sure that the bolts are tightened.



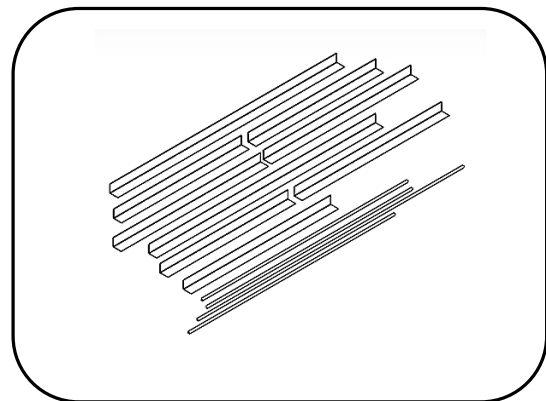
Storage of your unit.

1. Care must be taken to prevent oxidation on the surfaces. Cover all equipment with a light coat of oil and use an oil-soaked cloth for cleaning all equipment. The cover the chipper with a big plastic bag to prevent the environmental conditions from harming the equipment.
2. Follow the lubrication recommendations engine for off-season storage.
3. Store equipment in a clean, dry area. Never store the machine or fuel container where there is an enclosed space, fire

presence, spark or pilot light such as water heaters, furnaces, clothes dryers, etc..

What to do with the metal cage package?

You may modify the box as storage purposes, or you can cut it with a hand saw into little pieces. These can be disposed in local garbage afterwards if needed.



CAUTION



Wear leather gloves to protect your hands when cutting the corners.

Have any more questions?

Please contact us at:

www.yardbeast.com

(Customer Contact Form)

Or you may call us at:

(305) 396-3396

If you feel like writing us you may do so at:

customer.service@yardbeast.com

TROUBLESHOOTING

Problem	Cause	Solution
Engine does not start	<ol style="list-style-type: none"> 1. The spark plug is disconnected 2. The fuel tank is empty. 3. Shut-off valve is closed. 4. Dirty air filter. 5. The carburetor is dirty. 	<ol style="list-style-type: none"> 1. Connect the cable to spark plug. 2. Fill tank with clean, fresh fuel. 3. Turn the fuel valve ON 4. Clean or replace the air filter 5. Take it to the engine manufacturer authorized workshop
Low blade performance	<ol style="list-style-type: none"> 1. The blade is not in correct position. 2. The blade has dull edge. 3. Blade has cracks 	<ol style="list-style-type: none"> 1. Check and correct the position. 2. Sharpen the blade. 3. Replace blade.
Low engine performance	<ol style="list-style-type: none"> 1. Lack of fuel. 2. The carburetor is dirty 3. Obstructed air filter 4. Loose spark plug cable 	<ol style="list-style-type: none"> 1. Fill the fuel tank. 2. Take engine to an authorized workshop. 3. Clean or replace the air filter. 4. Connect and tighten spark plug wire.
Engine overheats	<ol style="list-style-type: none"> 1. The engine oil level is low. 2. Restricted air flow. 	<ol style="list-style-type: none"> 1. Fill crankcase with proper oil. 2. Remove blower housing and clean.
Engine is erratic	<ol style="list-style-type: none"> 1. The spark plug wire is loose. 2. Fuel is old. 3. Water or dirt in fuel system. 4. The air filter is dirty. 5. Valve tolerance out of specification. 	<ol style="list-style-type: none"> 1. Connect and tighten spark plug wire. 2. Fill tank with clean, fresh fuel. 3. Drain the fuel tank. Refill with fresh fuel. 4. Clean air filter 5. Take the engine to authorized workshop.

SPARE PARTS LIST

Component	Part Number and Description
	# PART: 251001 BLADE
	# PART: 251002 ANVIL
	# PART: 251003 KNOB
	# PART: 251004 POWER BELT
	# PART: 251005 CLUTCH
	# PART: 251006 10-INCH WHEEL

Manufacturer's Warranty

The limited warranty set forth below is given by Rederick Metal Industries Corp. – towards the YARDBEAST Chippers Outdoor Power Equipment line, with respect to new merchandise purchased and used in the continental United States.

Rederick Metal Industries Corp. warrants this product against defects for a period of two (2) year commencing on the date of original purchase and will, at its option, repair or replace, free of charge, any part found to be defective in materials or workmanship. This limited warranty shall only apply if this product has been operated and maintained in accordance with the Operator's Manual furnished with the product, and has not been subject to misuse, abuse, commercial use, neglect, accident, improper maintenance, alteration, vandalism, theft, fire, water, or damage because of peril, natural disaster or by acts of God.

Normal wear parts or components thereof are subject to separate terms as follows: All normal wear parts or component failures will be covered on the product for a period of 90 days regardless of cause. After 90 days, but within the two year period, normal wear parts failures will be covered ONLY IF caused by defects in materials or workmanship of OTHER component parts. Normal wear parts and components include, but are not limited to: belts, tires, knives, counter knives, knives adapters, flails, centrifugal clutch and bearings.

How to obtain service: Please contact Rederick MI Corp, Miami FL 33142. For info on how to service your machine contact us at (305)-396-3396 or write to customer.service@yardbeast.com or log on to our website at www.yardbeast.com.

This limited warranty does not provide coverage in the following cases:

- a. The engine or components parts thereof. These items carry a separate manufacturer's warranty. Refer to applicable manufacturer's warranty for terms and conditions.
- b. Centrifugal damage or components thereof. These items carry a separate manufacturer's warranty. Refer to applicable manufacturer's warranty for terms and conditions.
- c. Routine maintenance items such as lubricants, filters, blade sharpening, tune-ups, clutch adjustments, and normal deterioration of the exterior finish due to use or exposure.
- d. Rederick MI Corp. Does not extend any warranty for products sold or exported outside the continental United States; except those sold through authorized Rederick MI Corp. Dealers and/or channels of export distribution.
- e. Parts that are not genuine to the Yardbeast Chipper line will not be covered by this or any other warranty expressed by Rederick MI Corp.
- f. Transportation charges and service calls are not covered.

No implied warranty, including any implied warranty of merchantability or fitness for a particular purpose, applies after the applicable period of express written warranty above as to the parts as identified. No other express warranty, whether written or oral, except as mentioned above, given by any person or entity, including a dealer or a retailer, with respect to any product manufactured by us shall bind Rederick Metal Industries Corporation. During the period of the warranty, the remedy is repair or replacement of the product as set forth above.

The provisions as set forth in this warranty provide the sole and exclusive remedy arising from the sale. Rederick Metal Industries Corp. shall not be liable for incidental or consequential loss or damage including, without limitation, expenses incurred for substitute or replacement lawn care services or for rental expenses to temporarily replace a warranted product.

Some states do not allow the exclusion or limitation of incidental or consequential damages, or limitations on how long an implied warranty lasts, so the above exclusions or limitations may not apply to you.

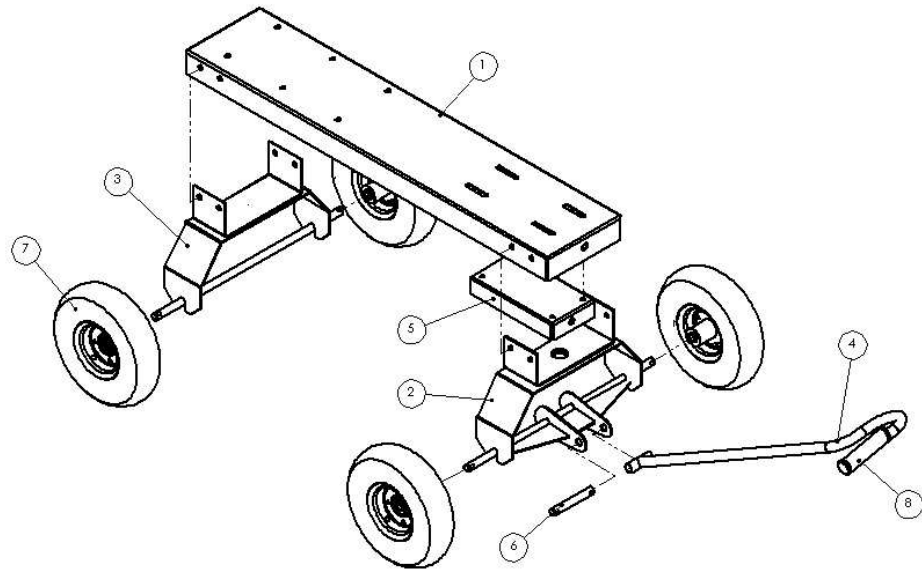
In no event shall recovery of any kind be greater than the amount of the purchase price of the product sold. Alteration of safety features of the product shall void this warranty. You assume the risk and liability for loss, damage or injury to you and your property and/or others and their property arising out of the misuse or inability to use this product.

This limited warranty shall not extend to anyone other than the original purchaser or to the person for whom it was purchased as a gift.

This limited warranty gives you specific legal rights, and you may also have other rights which vary from state to state.

PARTS LIST

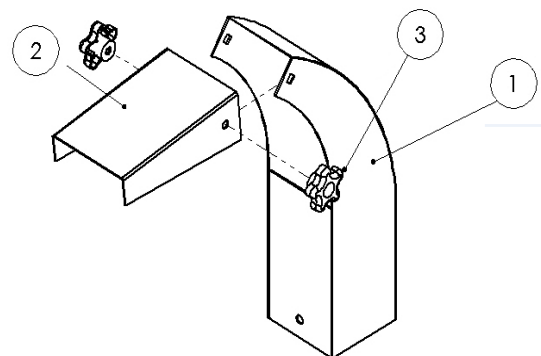
BASE



No	Components	Part No.
1	Base	251007
2	Live axle	251008
3	Fixed axle	251009
4	Pull bar	251010
5	Belt tensioner	251011
6	Pull Bar Pin	251012
7	Pneumatic Wheel 10" x 5/8"	251006
8	Rubber grip	251013

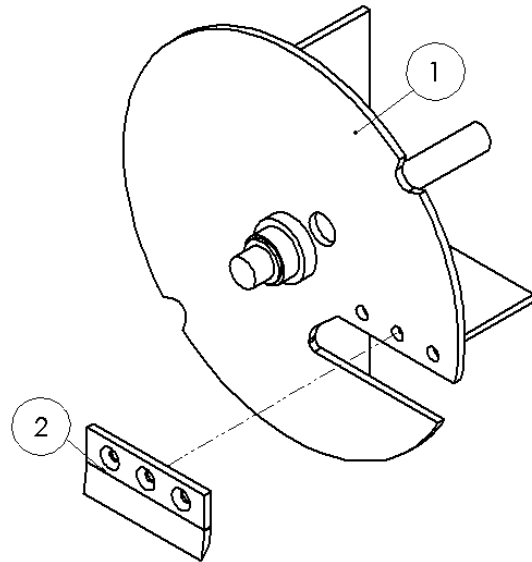
DISCHARGE NECK

No	Components	Parto No.
1	Discharge neck	251014
2	Deflector	251015
3	Knob	251003

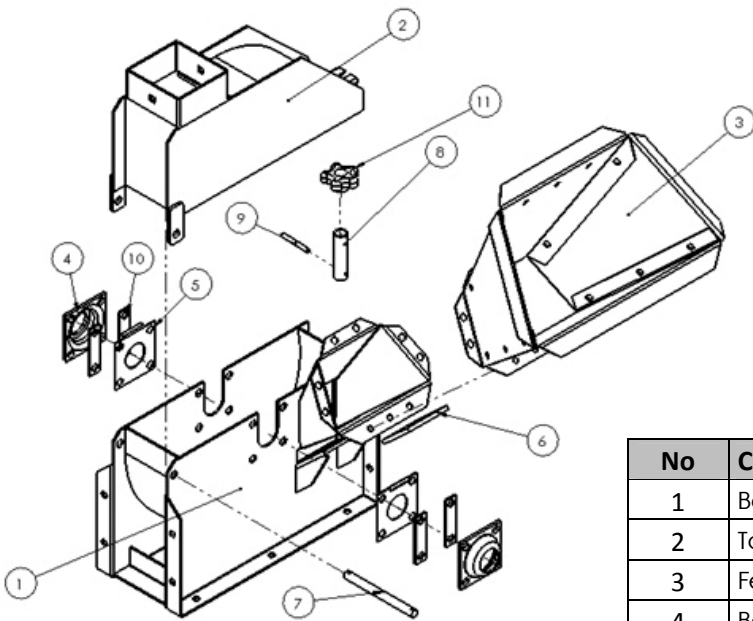


ROTOR

No	Components	Part No.
1	Rotor	251016
2	Blade	251001

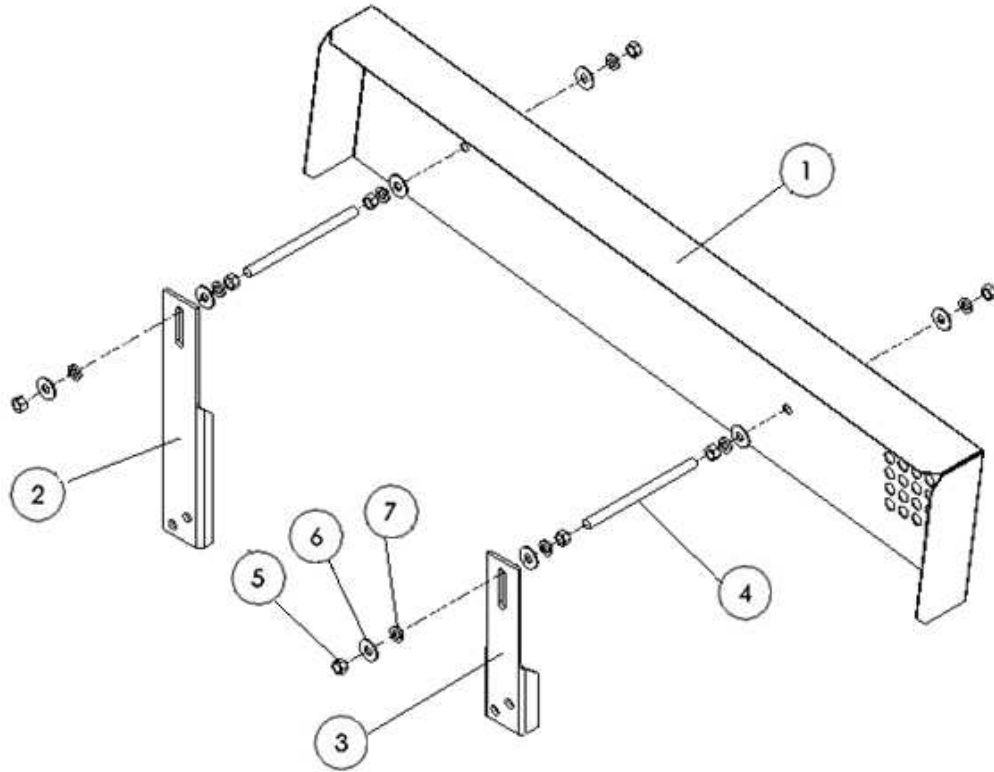


CHIPPER



No	Components	Part No.
1	Bottom	251017
2	Top	251018
3	Feed Hopper	251019
4	Bearing housing	251020
5	Dirt screen	251021
6	Anvil	251002
7	Open/Close Pin	251022
8	Lock safety tube	251023
9	Lock safety pin	251024
10	Spacers	251025
11	Knob	251003

BELT GUARD



No	Component	Part No.
1	Belt Guard	251026
2	Large guard support	251027
3	Small guard support	251028
4	3/8 " screw bar	251029
5	Nylon safety nut- 3/8"	251030
6	Plain washer - 3/8"	251031
7	Pressure washer – 3/8"	251032

NOTES: