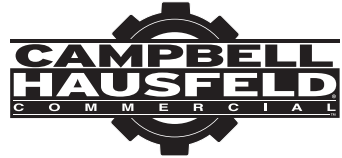


# Filter-Regulator



## MODEL PA210300AV

### Description

The filter/regulator combines a general purpose filter with a pressure regulator in one compact unit. The filter is designed to remove most liquid and solid particles from the air supply. The self-relieving pressure regulator is used to adjust the outlet pressure between 0 - 215 psi.

### Unpacking

After unpacking the unit, inspect carefully for any damage that may have occurred during transit. Make sure to tighten fittings, bolts, etc., before putting unit into service.

**READ & FOLLOW ALL INSTRUCTIONS**

**SAVE THESE INSTRUCTIONS  
DO NOT DISCARD**

### Safety Guidelines

This manual contains information that is very important to know and understand. This information is provided for SAFETY and to PREVENT EQUIPMENT PROBLEMS. To help recognize this information, observe the following symbols.

#### **⚠ DANGER**

*Danger indicates an imminently hazardous*

*situation which, if not avoided, WILL result in death or serious injury.*

#### **⚠ WARNING**

*Warning indicates a potentially hazardous*

*situation which, if not avoided, COULD result in death or serious injury.*

#### **⚠ CAUTION**

*Caution indicates a potentially hazardous*

*situation which, if not avoided, MAY result in minor or moderate injury.*

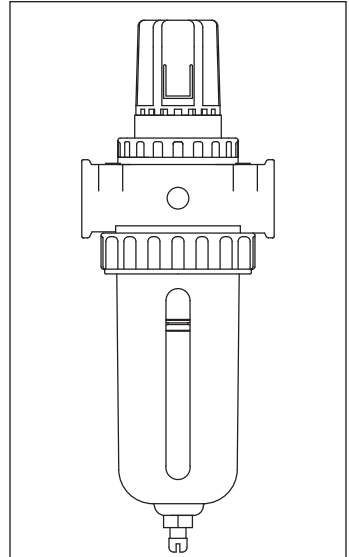


Figure 1 - PA210300AV

### Specifications

Regulator Style.....	Self Relieving
Temperature Range .....	40°F to 140°F
Maximum Pressure.....	250 PSI
Air Inlet/Outlet ....	3/8 inch NPT
Flow Capacity.....	42 SCFM
Gauge Ports .....	1/8 inch NPT
Filter Element.....	.5 Micron
Drain Capacity .....	2.7 fl. oz.

Please read and save these instructions. Read carefully before attempting to assemble, install, operate or maintain the product described. Protect yourself and others by observing all safety information. Failure to comply with instructions could result in personal injury and/or property damage! Retain instructions for future reference.

## Safety Guidelines (Continued)

### NOTICE

*Notice indicates important*

*information, that if not followed, may cause damage to equipment.*

**NOTE:** Information that requires special attention.

## General Safety Information

### CALIFORNIA PROPOSITION 65

#### ⚠ WARNING

*This product or its power cord may contain chemicals, including lead, known to the State of California to cause cancer and birth defects or other reproductive harm. Wash hands after handling.*

#### ⚠ WARNING

*You can create dust when you cut, sand, drill or grind materials such as wood, paint, metal, concrete, cement, or other masonry. This dust often contains chemicals known to cause cancer, birth defects, or other reproductive harm. Wear protective gear.*



### GENERAL SAFETY

This product is a part of a high pressure system and the following safety precautions must be followed at all times along with any other existing safety rules.

Read this instruction manual before installing this device to the air supply system. Be thoroughly familiar with the controls and the proper use of the equipment.



#### ⚠ WARNING

**Safety glasses must be worn during operation.**



1. Always work in a well ventilated area.
2. Do not exceed any pressure rating of any component in the system.
3. Protect air lines from damage and/or punctures.
4. Check air hoses for weak or worn condition before each use. Make sure all connections are secure.
5. Keep all nuts, bolts and screws tight and ensure equipment is in safe working condition.

#### ⚠ DANGER

**This product is specifically designed for compressed air service ONLY. Use with any other material (liquid or gas) is a misapplication and not permitted. Use or injection of certain hazardous liquids or gases in the system (such as oxygen, alcohol or liquid petroleum gas) will harm the unit and result in a combustible condition or hazardous external leakage. Misapplication will void all warranties and manufacturer's responsibilities.**



#### ⚠ DANGER

**The relief flow capacity of regulators is limited. Install additional pressure relief devices to alleviate over pressurized conditions. Written approval must be obtained from manufacturer if this device is to be used for life support systems or other non-industrial applications.**

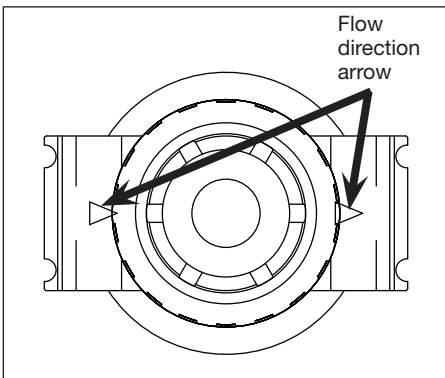
## Installation

### **⚠ WARNING**

**Disconnect power and release all pressure from the system before attempting to install, service, relocate or perform any maintenance.**



1. Locate the air flow direction arrow (See Figure 2, detail). This arrow shows the direction of the air flow.
2. Remove plugs from plastic bag. Use PTFE tape on the threads and install securely in the ports. (See Figure 3.)
3. Securely mount the filter /regulator in a vertical position as close as possible to air tool connection.
4. Verify the arrow points in the direction of the air flow (See Figure 2.)
5. Install the unit with the same pipe size as the piping in use. Avoid using unnecessary fittings, couplings, etc., that restrict airflow.
6. Connect the air supply to the inlet port.



**Figure 2 - Detail showing location of flow direction arrow**

## Operation

### **NOTICE**

**Ensure the regulator adjusting knob is unlocked when adjusting pressure. The regulator will be damaged if the knob is turned in the locked position.**

1. Before pressurizing system, make certain the bowl is securely locked in place by hand tightening the bowl ring until it is snug.
2. Unlock the regulator adjusting knob by pulling knob away from the regulator.
3. Turn the regulator adjusting knob counterclockwise until no load is on the regulating spring.
4. Turn on the air pressure supply and turn the adjusting knob clockwise until the desired outlet pressure is reached. Push the regulator adjusting knob toward the regulator to lock in desired pressure.

## Maintenance

### **▲ WARNING**

***Release all pressure before attempting to install, service, relocate or perform any maintenance on the air system. Personal injury and/or property damage could occur.***



### **▲ WARNING**

***Always depressurize the unit before removing the bowl. Personal injury and/or property damage could occur. If bowl is difficult to remove, it may be under pressure.***

## FILTER

1. Inspect and replace cracked, damaged or deteriorated seals. Wipe bowls with a soft, dry cloth to clean.

2. Replace or clean filter element periodically. Remove the filter element and tap filter on a hard surface or use an air gun to blow out residual dirt.
3. Drain bowls at least once per work shift. To avoid spray or splatter, cover bottom of filter with a cloth and push in the manual drain button.
4. Before placing the unit in service, make sure the bowl is reinstalled and securely locked in place.

## TECHNICAL SERVICE

For information regarding the operation or repair of this product, please call 1-855-504-5678.

**▲ CAUTION**

*Plastic bowls are suitable for use in normal commercial industrial environments, but should not be located in areas where they could be subjected to direct sunlight, an impact blow, nor temperatures outside of the rated range. As with most plastics, some chemicals can cause damage. Plastic bowls should not be exposed to chlorinated hydrocarbons, ketones, esters and certain alcohols. They should not be used in air systems where compressors are lubricated with fire-resistant fluids such as phosphate ester and di-ester types.*

### MATERIALS THAT ATTACK PLASTIC BOWLS (PARTIAL LISTING)

Acetaldehyde	Formic acid (concentrated)
Acetic acid (concentrated)	Freon (refrig. & propell.)
Acetone	Gasoline (high aromatic)
Acrylonitrile	Hydrazine
Ammonia	Hydrochloric acid (concentrated)
Ammonium flouride	Lacquer thinner
Ammonium hydroxide	Methyl alcohol
Ammonium sulfide	Methylene chloride
Anaerobic adhesives & sealants	Methylene salicylate
Antifreeze	Mike of lime (CaOH)
Benzene	Nitric acid (concentrated)
Benzoic acid	Nitrobenzene
Benzyl alcohol	Nitrocellulose lacquer
Brake fluids	Phenol
Bromobenzene	Phosphorous hydroxy chloride
Butyric acid	Phosphorous trichloride
Carbolic acid	Phopionic acid
Carbon disulfide	Pyridine
Carbon tetrachloride	Sodium hydroxide
Caustic potash solution	Sodium sulfide
Caustic soda solution	Styrene
Chlorobenzene	Sulfuric acid (concentrated)
Chloroform	Sulphural chloride
Cresol	Tetrahydronaphthalene
Cyclohexanol	Tiophene
Cylohexanone	Toluene
Cyclohexene	Turpentine
Dimethyl formamide	Xylene
Dioxane	Perchlorethylene and others
Ethane tetrachloride	
Ethyl acetate	
Ethyl ether	
Ethylamine	
Ethylene chlorohydrin	
Ethylene dichloride	
Ethylene glycol	



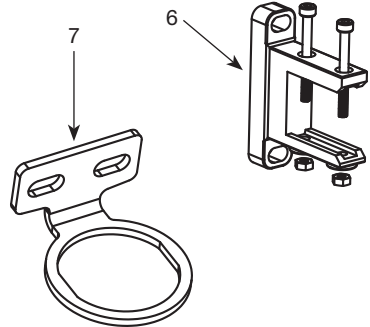
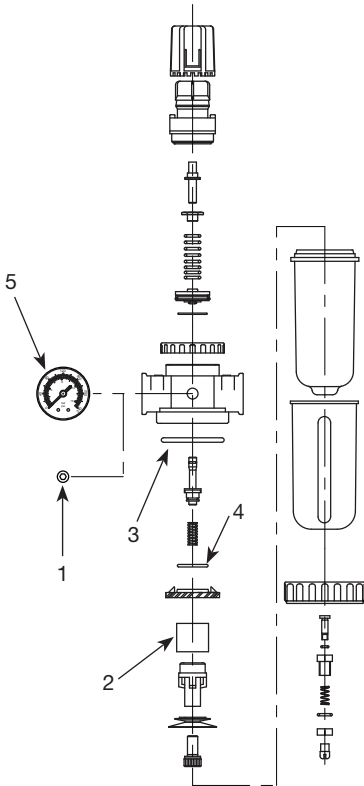
## For Replacement Parts or Technical Assistance, Call 1-855-504-5678

Please provide following information:

- Model number
- Serial number (if any)
- Part description and number as shown in parts list

Address any correspondence to:

Campbell Hausfeld  
Attn: Customer Service  
100 Production Drive  
Harrison, OH 45030 U.S.A.



Mounting brackets (sold separately) \*

### REPLACEMENT PARTS LIST

Ref. No.	Description	Part No.	Qty.
1	1/8 inch NPT Plug	ST022400AV	1
2	Filter element	■ ●	1
3	Bowl o-ring	■	1
4	Filter o-ring	■	1
5	Gauge, 1/8 inch NPT	HF242100AV	1
■	Filter element kit	SX139400AV	1
●	Replacement filter elements (2 elements)	SX139500AV	1

### OPTIONAL PARTS LIST

6	Modular bracket *	SX139600AV	1
7	Wall bracket *	SX139700AV	1

\* Sold separately

**REGISTER YOUR PRODUCT ONLINE NOW!**

<http://reg.ch-commercial.com>

---

**Limited Warranty**

1. DURATION: From the date of purchase by the original purchaser as follows: One Year.
2. WHO GIVES THIS WARRANTY (WARRANTOR): Campbell Hausfeld / Scott Fetzer Company, 100 Production Drive, Harrison, Ohio, 45030, Telephone: (855) 504-5678.
3. WHO RECEIVES THIS WARRANTY (PURCHASER): The original purchaser (other than for purposes of resale) of the Campbell Hausfeld product.
4. WHAT PRODUCTS ARE COVERED BY THIS WARRANTY: This Campbell Hausfeld accessory.
5. WHAT IS COVERED UNDER THIS WARRANTY: Substantial defects in material and workmanship which occur within the duration of the warranty period with the exceptions noted below.
6. WHAT IS NOT COVERED UNDER THIS WARRANTY:
  - A. Implied warranties, including those of merchantability and FITNESS FOR A PARTICULAR PURPOSE ARE LIMITED FROM THE DATE OF ORIGINAL PURCHASE AS STATED IN THE DURATION. If this product is used for commercial, industrial or rental purposes, the warranty will apply for ninety (90) days from the date of purchase. Some States do not allow limitation on how long an implied warranty lasts, so the above limitations may not apply to you.
  - B. ANY INCIDENTAL, INDIRECT, OR CONSEQUENTIAL LOSS, DAMAGE, OR EXPENSE THAT MAY RESULT FROM ANY DEFECT, FAILURE, OR MALFUNCTION OF THE CAMPBELL HAUSFELD PRODUCT. Some States do not allow the exclusion or limitation of incidental or consequential damages, so the above limitation or exclusion may not apply to you.
  - C. Any failure that results from an accident, purchaser's abuse, neglect or failure to operate products in accordance with instructions provided in the owner's manual(s) supplied with product. Accident, purchaser's abuse, neglect or failure to operate products in accordance with instructions shall also include the removal or alteration of any safety devices. If such safety devices are removed or altered, this warranty is void.
  - D. Normal maintenance or adjustments which are explained in the owner's manual(s) provided with the product.
  - E. Items or service that are normally required to maintain the product, e.g. o-rings, springs, gaskets, packings or seals, needles, filter elements, or any other expendable part not specifically listed. These items will only be covered for ninety (90) days from date of original purchase.
  - F. Any component damaged in shipment or any failure caused by installing or operating unit under conditions not in accordance with installation and operation guidelines or damaged by contact with tools or surroundings.
  - G. Cosmetic defects that do not interfere with compressor functionality.
7. RESPONSIBILITIES OF WARRANTOR UNDER THIS WARRANTY: Repair or replace, at Warrantor's option, products or components which are defective, have malfunctioned and/or failed to conform within the duration of the specific warranty period.
8. RESPONSIBILITIES OF PURCHASER UNDER THIS WARRANTY:
  - A. Provide dated proof of purchase and maintenance records.
  - B. Call Campbell Hausfeld (855) 504-5678 to obtain your warranty service options. Freight costs must be borne by the purchaser.
  - C. Use reasonable care in the operation and maintenance of the products as described in the owner's manual(s).
9. WHEN WARRANTOR WILL PERFORM REPAIR OR REPLACEMENT UNDER THIS WARRANTY: Repair or replacement will be scheduled and serviced according to the normal work flow at the servicing location, and depending on the availability of replacement parts.

This Limited Warranty applies in the United States, Canada and Mexico only and gives you specific legal rights. You may also have other rights which vary from state to state or country to country.

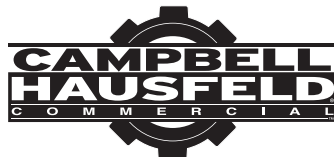
---

**REMINDER: Keep your dated proof of purchase for warranty purposes!  
Attach it to this manual or file it for safekeeping.**

---



# Filter - Regulateur de Pression



## MODÈLE PA210300AV

### Description

Le filtre/régulateur combine un filtre tout usage et un régulateur de pression dans un ensemble compact. Le filtre tout usage est conçu pour éliminer le maximum de particules solides et liquides de l'alimentation d'air. Le régulateur de pression à décompression automatique sert à ajuster la pression de sortie entre 0 kPa et 1482 kPa.

### Déballage

Dès que l'appareil est déballé, l'inspecter attentivement pour tout signe de dommages en transit. S'assurer de resserrer tous les raccords, boulons, etc. avant de le mettre en service.

**LIRE ET SUIVRE TOUTES LES INSTRUCTIONS.**

**CONSERVER CES INSTRUCTIONS  
NE LES JETEZ PAS**

### Directives de Sécurité

Ce manuel contient de l'information très importante qui est fournie pour la SÉCURITÉ et pour ÉVITER LES PROBLÈMES D'ÉQUIPEMENT. Rechercher les symboles suivants pour cette information.

**⚠ DANGER** *Danger indique une situation hasardeuse imminente qui RÉSULTERA en perte de vie ou blessures graves.*

**⚠ AVERTISSEMENT** *Avertissement indique une situation hasardeuse potentielle qui PEUT résulter en perte de vie ou blessures graves.*

**⚠ ATTENTION** *Attention indique une situation hasardeuse potentielle qui PEUT résulter en blessures.*

**AVIS** *Avis indique de l'information importante pour éviter le dommage de l'équipement.*

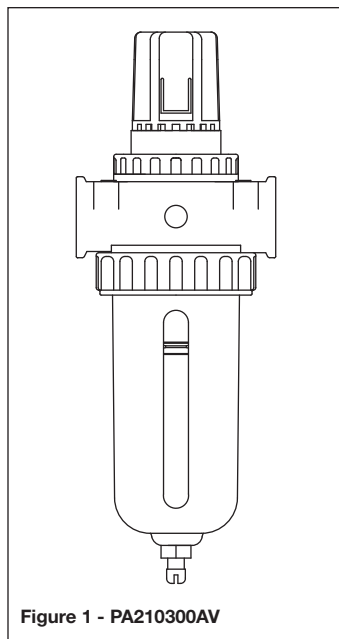


Figure 1 - PA210300AV

### Spécifications

Style de régulateur	Auto-dégagement
Plage de température	... 4,5°C to 60° C
Pression max.	... 1724 kPa
Entrée/sortie d'air	9,5 mm (3/8 po.) NPT
Capacité de débit	... 1189 l/min
Taille des orifices	3,2 mm (1/8 po.) NPT
Élément du filtre.	... 5 microns
Capacité de Drainage.	... 80 mL

*Veillez lire et conserver ces instructions. Lire attentivement avant de commencer à assembler, installer, faire fonctionner ou entretenir l'appareil décrit. Protégez-vous et les autres en observant toutes les informations sur la sécurité. Négliger d'appliquer ces instructions peut résulter en des blessures corporelles et/ou en des dommages matériels ! Conserver ces instructions pour références ultérieures.*

**REMARQUE:** L'information qui exige une attention spéciale.

## Généralités sur la Sécurité

### PROPOSITION 65 DE CALIFORNIE

**⚠ AVERTISSEMENT** *Ce produit ou son cordon peuvent contenir des produits chimiques, y compris du plomb, relevés par l'État de Californie comme cause de cancer, d'anomalies congénitales ou d'autres problèmes reproductifs. Lavez-vous les mains après la manipulation.*

**⚠ AVERTISSEMENT** *Vous pouvez créer de la poussière en coupant, ponçant, perçant ou meulant les matériaux tels que le bois, la peinture, le métal, le béton, le ciment ou autre maçonnerie. Cette poussière contient souvent des produits chimiques reconnus pour causer le cancer, les déformations congénitales ou autres problèmes de la reproduction. Porter de l'équipement de protection.*



### GÉNÉRALITÉS SUR LA SÉCURITÉ

Ce produit fait part d'un système haute pression et il faut respecter en tout temps les précautions de sécurité suivantes en plus de toute autre règle de sécurité actuelle.

Lire ce manuel d'instructions avant d'installer cet appareil sur le système d'alimentation d'air. Bien se familiariser avec les commandes et la bonne utilisation de l'équipement.



### ⚠ AVERTISSEMENT

*Il est nécessaire de porter des lunettes de protection pendant l'utilisation.*



1. Toujours travailler dans un endroit bien ventilé.
2. Ne pas dépasser la classification de pression de n'importe quelle pièce détachée du système.
3. Protéger les conduites d'air de tout dommage et/ou perforation.
4. Vérifier les tuyaux d'air pour tout signe de faiblesse ou d'usure avant chaque utilisation. Vérifier que toute connexion ne présente aucun danger.
5. Garder tous les écrous, boulons et vis serrés et faire en sorte que l'équipement soit en bon état de marche.

### ⚠ DANGER

*Ce produit est conçu spécifiquement pour le service d'air comprimé SEULEMENT. Son utilisation avec tout autre matériau (liquide ou gaz) constitue une application abusive et interdite. L'utilisation ou injection de certains liquides ou gaz dangereux dans le système (tel qu'oxygène, alcool ou gaz liquide de pétrole) cause de dommages à l'unité et mène à une condition combustible ou une fuite dangereuse. L'application abusive annulera toute garantie et responsabilité du fabricant.*



**⚠ DANGER**

*La capacité de décharge des régulateurs est limitée. Installer des dispositifs supplémentaires de décharge pour réduire la surpression. Il faut obtenir une approbation écrite du fabricant si cet appareil sera utilisé pour des systèmes d'entretien de la vie ou autres applications non industrielles.*

**Installation****⚠ AVERTISSEMENT**

*Débrancher de la source de puissance et ensuite dissiper toute la pression du système avant d'essayer d'installer, de réparer, de déplacer ou de procéder à l'entretien.*



1. Trouver la flèche de la direction du débit d'air (voir Figure 2, particulier). La flèche montre la direction du débit d'air.
2. Retirer les bouchons du sac en plastique. Utiliser un ruban de PTFE sur les filets et les installer en les serrant dans les orifices.(voir la Figure 3.)

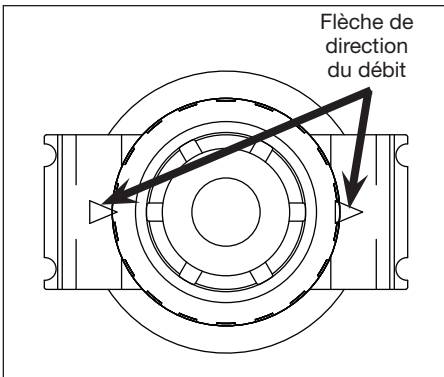


Figure 2 - Particulier indiquant l'emplacement de la flèche qui montre la direction du débit

3. Installer solidement le filtre/régulateur en position verticale aussi près que possible de la connexion de l'outil pneumatique.
4. Vérifiez que les flèches pointent en direction du débit d'air (voir Figure 2).
5. Monter l'unité à l'aide d'un tuyau de la même taille que le tuyau utilisé. Éviter l'utilisation d'accessoires, raccords etc., inutiles car ça réduit le débit d'air.
6. Brancher l'alimentation d'air à l'orifice d'entrée.

**Fonctionnement****AVIS**

*S'assurer que le bouton d'ajustement du régulateur et déverrouillé en ajustant la pression. Le régulateur sera endommagé si le bouton est en position verrouillée.*

1. Avant de mettre le système sous pression, s'assurer que le récipient est bien verrouillé à sa place en serrant manuellement le joint du récipient jusqu'à ce qu'il soit bien installé.
2. Déverrouiller le bouton d'ajustement du régulateur en tirant le bouton et en l'éloignant du régulateur.
3. Tourner le bouton d'ajustement du régulateur dans le sens antihoraire jusqu'à ce qu'il n'y ait aucune charge sur le ressort régulateur.
4. Ouvrir l'alimentation de pression d'air et tourner le bouton d'ajustement dans le sens horaire jusqu'à ce que l'on atteigne la pression de sortie voulue. Pousser le bouton d'ajustement du régulateur pour verrouiller à la pression voulue.

## Entretien

### **▲ AVERTISSEMENT**

***Dissiper toute la pression avant d'essayer d'installer, maintenir, déplacer ou procéder à l'entretien. Sinon il pourrait y avoir des blessures personnelles et/ou des dommages à la propriété.***



### **▲ AVERTISSEMENT** *Toujours dissiper la pression du*

***système avant de quitter le récipient. Sinon il pourrait y avoir des blessures personnelles et/ou des dommages à la propriété. S'il est difficile de quitter le récipient, il pourrait être encore sous pression.***

## FILTRE

1. Vérifier et remplacer les garnitures et récipients fissurés, cassés ou endommagés. Nettoyer les récipients à l'aide d'un chiffon souple, propre et sec.

2. Remplacer ou nettoyer périodiquement l'élément du filtre. Retirer l'élément du filtre et frapper le filtre sur une surface solide, ou retirer la saleté résiduelle à l'aide d'un pistolet pneumatique.
3. Purger les récipients au moins une fois par période de travail. Pour éviter les éclaboussures et pulvérisations, couvrir le fond du filtre à l'aide d'un chiffon et appuyer sur le bouton de drain manuel.
4. Avant de mettre l'unité en service, vérifier que le récipient a été réinstallé et bien verrouillé en place.

## SERVICE TECHNIQUE

Pour des informations concernant le fonctionnement ou la réparation de ce produit, composer le 1-855-504-5678.



**ATTENTION** *Les bols en plastique sont conçus pour être utilisés dans des environnements industriels commerciaux normaux, mais ne doivent pas se trouver dans les zones où ils pourraient être soumis à la lumière directe du soleil, à un choc ou à des températures hors des limites recommandées. Comme pour la plupart des matières plastiques, certains produits chimiques peuvent les endommager. Les bols en plastique ne doivent pas être exposés à des hydrocarbures chlorés, à des cétones, à des esters et à certains alcools. Ils ne doivent pas être utilisés dans les systèmes d'air où les compresseurs sont lubrifiés avec des fluides résistants au feu comme ceux de types phosphate ester et diester.*

## MATÉRIAUX ATTAQUANT LES BOLS EN PLASTIQUE (LISTE PARTIELLE)

Acétaldéhyde	Bichlorure d'éthylène
Acide acétique (concentré)	Éthylène glycol
Acétone	Acide formique (concentré)
Acrylonitrile	Fréon (refroid. et propul.)
Ammoniaque	Essence (haut en aromat.)
Fluorine d'ammonium	Hydrazine
Hydroxyde d'ammonium	Acide hydrochlorydrique (concentré)
Sulfure d'ammonium	Diluant de laque
Adhésives et agents d'étanchéité anaérobiques	Alcool méthylique
Antigel	Chlorure de méthylène
Benzène	Salicylate de méthylène
Acide benzoïque	Chaux (CaOH)
Benzol	Acide nitrique (concentré)
Fluides de frein	Nitrobenzène
Bromo-benzène	Laque à la nitrocellulose
Acide butyrique	Phénol
Acide carbolique	Hydrochlorure de phosphore
Bisulfite de carbone	Trichlorure de phosphore
Tétrachlorure de carbone	Acide phopionique
Solution caustique de potassium	Pyridine
Solution caustique de soude	Hydroxyde de sodium
Chlorobenzène	Sulfure de sodium
Chloroforme	Styrène
Crésol	Acide sulfurique (concentré)
Cyclo-hexanol	Sulfochlorure
Cyclo-hexanone	Tétrahydronaphtalène
Cyclo-hexane	Thiophène
Diméthyle formamide	Toluène
Dioxanne	Térébenthine
Tétrachlorure d'éthane	Xylène
Acétate d'éthyle	Perchloréthylène et d'autres
Éther éthylique	
Éthylamine	
Chlorhydrine d'éthylène	



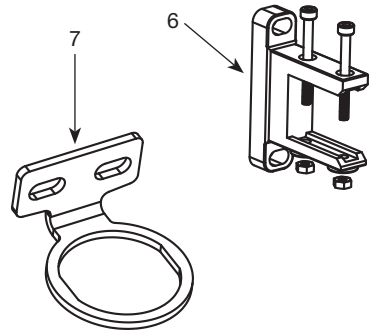
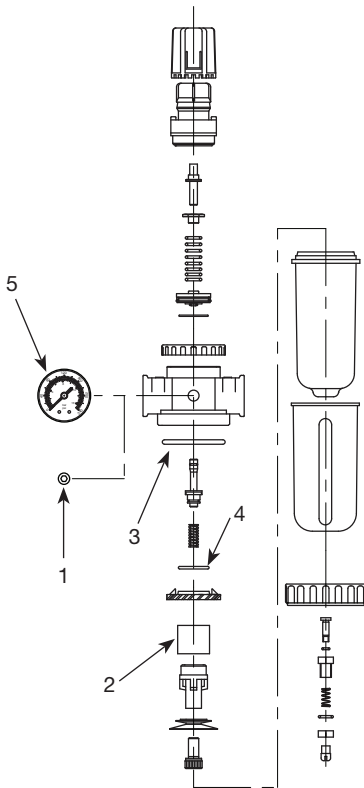
## Pour pièces de rechange ou assistance technique, appeler 1-855-504-5678

S'il vous plaît fournir l'information suivante :

- Numéro de Modèle
- Numéro de série (si présent)
- Description et numéro de la pièce

Adresser toute correspondance à :

Campbell Hausfeld  
Attn: Customer Service  
100 Production Drive  
Harrison, OH 45030 U.S.A.



Fixations de montage (Vendu séparément) \*

### LISTE DE PIÈCES DE RECHANGE

N° de réf.	Description	N° de pièce	Qté.
1	Fiche de 1/8 po NPT	ST022400AV	1
2	Élément du filtre	■ ●	1
3	Joint torique du bol	■	1
4	Joint torique du filtre	■	1
5	Manomètre 1/8 po NPT	HF242100AV	1
■	Trousse d'élément du filtre	SX139400AV	1
●	Éléments de rechange du filtre (2 éléments)	SX139500AV	1

### LISTE DE PIÈCES DE RECHANGE OPTIONNELLES\*

N° de réf.	Description	N° de pièce	Qté.
6	Fixation modulaire *	SX139600AV	1
7	Fixation murale *	SX139700AV	1

\* Vendu séparément

Figure 3

**ENREGISTREZ VOTRE PRODUIT EN LIGNE MAINTENANT !**  
<http://reg.ch-commercial.com>

---

## **Garantie Limitée**

1. DURÉE : De la date d'achat par l'acheteur original comme suit : un (1) an.
2. GARANTIE ACCORDÉE PAR (GARANT): Campbell Hausfeld/Scott Fetzer Company, 100 Production Drive, Harrison, Ohio, 45030, Téléphone: (855) 504-5678.
3. BÉNÉFICIAIRE DE CETTE GARANTIE (ACHETEUR): L'acheteur original (sauf en cas de revente) du produit Campbell Hausfeld.
4. PRODUITS COUVERTS PAR CETTE GARANTIE: Cet accessoire Campbell Hausfeld.
5. COUVERTURE DE LA PRÉSENTE GARANTIE: Défauts importants des matériaux et de main d'oeuvre qui se produisent durant la période de garantie à l'exception de ce qui est noté plus bas.
6. LA PRÉSENTE GARANTIE NE COUVRE PAS:
  - A. Les garanties implicites, y compris celles de commercialisabilité et D'ADAPTION À UNE FONCTION PARTICULIÈRE SONT LIMITÉES À PARTIR DE LA DATE D'ACHAT INITIALE TELLE QU'INDIQUÉE DANS LA SECTION DURÉE. Si ce produit est utilisé pour une fonction commerciale, industrielle ou pour la location, la durée de la garantie sera quatre-vingt-dix (90) jours à compter de la date d'achat. Quelques Provinces (États) n'autorisent pas de limitations de durée pour les garanties implicites. Les limitations précédentes peuvent donc ne pas s'appliquer.
  - B. TOUT DOMMAGE, PERTE OU DÉPENSE FORTUIT OU INDIRECT POUVANT RÉSULTER DE TOUT DÉFAUT, PANNE OU MAUVAIS FONCTIONNEMENT DU PRODUIT CAMPBELL HAUSFELD. Quelques Provinces (États) n'autorisent pas l'exclusion ni la limitation des dommages fortuits ou indirects. La limitation ou exclusion précédente peut donc ne pas s'appliquer.
  - C. Toute panne résultant d'un accident, d'une utilisation abusive, de la négligence ou d'une utilisation ne respectant pas les instructions données dans le(s) manuel(s) accompagnant le produit. Un accident, l'utilisation abusive par l'acheteur, la négligence ou le manque de faire fonctionner les produits selon les instructions comprend aussi l'enlèvement ou la modification de n'importe quel appareil de sûreté. Si ces appareils de sûreté sont enlevés ou modifiés, la garantie sera annulée.
  - D. L'entretien ou les ajustements normaux expliqués dans le(s) manuel(s) du propriétaire fourni(s) avec le produit.
  - E. Articles ou services habituellement requis pour l'entretien du produit, par ex : joints toriques, ressorts, joints d'étanchéité, garnitures ou joints, aiguilles, éléments de filtres ou toute autre pièce consommable non spécifiquement indiquée. Ces articles ne seront couverts que pendant quatre-vingt-dix (90) jours à partir de la date d'achat d'origine.
  - F. Toutes pièces détachées endommagées pendant l'expédition, n'importe quelle panne causée par un montage ou fonctionnement du modèle sous des conditions qui ne se conforment pas aux directives de montage et de fonctionnement ou dommage causé par le contact avec les outils ou les alentours.
  - G. Les défauts cosmétiques qui n'ont pas d'effet sur le fonctionnement de l'appareil.
7. RESPONSABILITÉS DU GARANT AUX TERMES DE CETTE GARANTIE: Réparer ou remplacer, au choix du Garant, les produits ou composants défectueux, qui ont connu une défaillance et/ou qui ne sont pas conformes pendant la durée de validité de la garantie.
8. RESPONSABILITÉS DE L'ACHETEUR AUX TERMES DE CETTE GARANTIE:
  - A. Fournir une preuve d'achat datée et un état d'entretien.
  - B. Appelez Campbell Hausfeld (855) 504-5678 pour obtenir vos options de service sous garantie. Les frais de transport sont la responsabilité de l'acheteur.
  - C. Utilisation et entretien du produit avec un soin raisonnable, ainsi que le décri(vent)t le(s) manuel(s) d'utilisation.
9. RÉPARATION OU REMPLACEMENT EFFECTUÉ PAR LE GARANT AUX TERMES DE LA PRÉSENTE GARANTIE: La réparation ou le remplacement sera prévu et exécuté en fonction de la charge de travail dans le centre de service et dépendra de la disponibilité des pièces de rechange.

Cette Garantie Limitée s'applique aux É.-U., au Canada et au Mexique seulement et vous donne des droits juridiques précis. L'acheteur peut également jouir d'autres droits qui varient d'une Province, d'un État ou d'un Pays à l'autre.

---

**MÉMENTO: Gardez votre preuve datée d'achat à fin de la garantie!**  
**Joignez-la à ce manuel ou classez-la dans un dossier pour plus de sécurité.**

---



# Filtro - Regulador



## MODELO PA210300AV

### Descrição

O filtro/regulador combina um filtro de uso geral com um regulador de pressão em uma unidade compacta. O filtro é projetado para remover a maioria das partículas líquidas e sólidas do fornecimento de ar. O regulador de pressão de autoliberação é usado para ajustar a pressão de saída para entre 0 bar e 14,8 bar (0 kPa e 1482 kPa).

### Remoção da Embalagem

Al desempacar este producto, revíselo con cuidado para cerciorarse de que esté en perfecto estado. Aperte firmemente conexões, parafusos, etc., antes de colocar a unidade em operação.

**LEIA E SIGA TODAS AS INSTRUÇÕES**

**GUARDE ESTAS INSTRUÇÕES -  
NÃO DESCARTE**

### Normas de Segurança

Este manual contém informações muito importantes que devem ser conhecidas e compreendidas. Essas informações são fornecidas para **SEGURANÇA** e para **EVITAR PROBLEMAS NO EQUIPAMENTO**. Para ajudar a reconhecer essas informações, observe os seguintes símbolos.

#### **▲ PERIGO**

*Perigo indica uma situação eminentemente perigosa, que se não for evitada, causará a morte ou infortúnios graves.*

#### **▲ AVISO**

*Aviso indica uma situação potencialmente perigosa, que se não for evitada, poderá resultar em morte ou infortúnios graves.*

#### **▲ CUIDADO**

*Cuidado indica uma situação potencialmente perigosa, que se não for evitada poderá causar danos menos graves ou de grau moderado.*

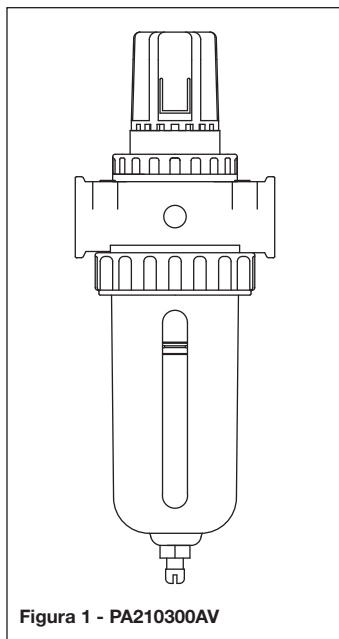


Figura 1 - PA210300AV

### Especificações

Estilo do regulador	Autoliberação
Intervalo de Temperatura	4,5 °C a 60 °C
Pressão máxima	17,2 bar (250 PSI)
Entrada/Saída de Ar	NPT de 9,5 mm (3/8 pol.)
Capacidade de Fluxo	1189 l/min
Portas do Medidor	NPT de 3,2 mm (1/8 pol.)
Elemento de Filtro	5 microns
Capacidade de drenagem	80 mL

Por favor, leia e guarde essas instruções. Leia com atenção antes de tentar montar, instalar, usar ou fazer manutenção no produto descrito. Siga todas as informações de segurança para proteger a si mesmo e a outras pessoas; caso contrário, podem ocorrer lesões pessoais e/ou danos materiais! Guarde essas instruções para futuras consultas.

### Normas de Segurança (Continuação)

#### NOTA

Nota indica uma informação

importante, que se não for seguida, poderá causar danos ao equipamento.

**OBSERVAÇÃO:** Informações que requerem atenção especial.

### Informações Gerais Sobre Segurança

#### PROPOSIÇÃO 65 DA CALIFÓRNIA

#### ⚠ AVISO

Este produto ou o seu cabo de

força pode conter produtos químicos, incluindo o chumbo, conhecidos, no Estado da Califórnia, como causadores de câncer e defeitos congênitos ou outras lesões reprodutivas. Lave as mãos após manusear este produto.

#### ⚠ AVISO

Você pode criar poeira ao cortar, lixar, furar ou esmerilar materiais tais como madeira, tinta, metal, concreto, cimento ou outro tipo de alvenaria. Esse pó frequentemente contém químicos conhecidos por causar câncer, defeitos congênitos ou outros danos reprodutivos. Use equipamento de proteção.



#### SEGURANÇA GERAL

Este produto faz parte de um sistema de alta pressão e as seguintes precauções de segurança devem ser sempre seguidas juntamente com quaisquer outras regras de segurança.

Leia esse manual de instruções antes de instalar esse dispositivo no sistema de suprimento de ar. Esteja



completamente familiarizado com os controles e com o uso adequado do equipamento.

#### ⚠ AVISO

Devem ser usados óculos de segurança durante a operação.



1. Trabalhe sempre em local bem ventilado.
2. Não exceda nenhuma das pressões especificadas para qualquer componente do sistema.
3. Proteja as linhas de ar contra danos e/ou perfurações.
4. Antes de cada uso, verifique as mangueiras de ar. Certifique-se de que todas as conexões estejam ajustadas.
5. Mantenha ajustados todos parafusos, porcas, parafusos de cabeça e certifique-se de que o equipamento esteja em condições seguras de funcionamento.

#### ⚠ PERIGO

Esse produto foi projetado especificamente APENAS para a manutenção do ar comprimido. O uso com qualquer outro material (líquido ou gás) é uma aplicação incorreta e não é permitido. O uso ou injeção de determinados líquidos ou gases perigosos no sistema (como oxigênio, álcool ou gás de petróleo líquido) danificará a unidade e resultará em uma condição combustível ou de vazamento externo perigoso. O uso incorreto anulará as garantias e as responsabilidades do fabricante.



**⚠ PERIGO**

**A capacidade do fluxo de liberação dos reguladores é limitada. Instale dispositivos de liberação de pressão adicionais para aliviar em condições de pressão. Deve-se obter a aprovação por escrito do fabricante caso o dispositivo deva ser usado para sistemas de suporte à vida ou outras aplicações não industriais.**

**Instalação****⚠ AVISO**

**Desconecte a energia e libere toda a pressão do sistema antes de tentar instalar, fazer serviço, relocar ou executar qualquer manutenção.**



1. Localize a seta de direção do fluxo de ar (Consulte a Figura 2, detalhes). Esta seta mostra a direção do fluxo do ar.
2. Remova os plugues da bolsa plástica. Use a fita PTFE nas roscas e instale de maneira segura nas portas. (Consulte a Figura 3)

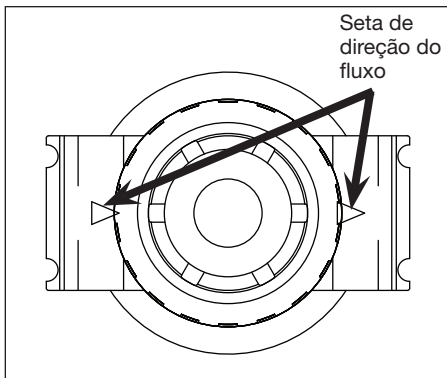


Figure 2 - Detalhe exibindo o local da seta de direção de fluxo

3. Monte o filtro/regulador de forma segura em uma posição vertical o mais próximo possível da conexão da ferramenta de ar.
4. Verifique se a seta está voltada para a direção do fluxo do ar (Consulte a Figura 2).
5. Instale a unidade com o mesmo tamanho de cano em uso. Evite usar uniões, adaptadores, etc, desnecessários que restringem o fluxo de ar.
6. Conecte o suprimento de ar à porta de entrada.

**Operação****NOTA**

**Certifique-se de que o botão de ajuste do regulador esteja destravado ao ajustar a pressão. O regulador será danificado caso o botão seja girado na posição travada.**

1. Antes de pressurizar o sistema, certifique-se de que o reservatório esteja preso de maneira segura no local ao apertar com a mão o anel do reservatório até encaixar.
2. Destrave o botão de ajuste do regulador ao afastar o botão do regulador.
3. Gire o botão de ajuste do regulador no sentido anti-horário até não haver carga na mola do regulador.
4. Ligue o suprimento de pressão de ar e gire o botão de ajuste no sentido horário até que a pressão de saída desejada seja atingida. Pressione o botão de ajuste do regulador na direção do regulador para travá-lo na pressão desejada.

## Manutenção

### ▲ AVISO

**Libere toda a pressão antes de tentar realizar a instalação, reparo, mudar de local ou efetuar qualquer tipo de manutenção no sistema de ar. Podem ocorrer lesões pessoais e/ou danos à propriedade.**



### ▲ AVISO

**Sempre depressurize**

**a unidade antes de remover o reservatório. Podem ocorrer lesões pessoais e/ou danos à propriedade. Se o reservatório estiver difícil de remover, ele pode estar sob pressão.**

## FILTRO

1. Inspecione e substitua vedações deterioradas, danificadas ou rachadas. Esfregue os reservatórios com um tecido seco e macio para limpar.

2. Substitua ou limpe o elemento do filtro periodicamente. Remova o elemento do filtro e bata suavemente o filtro em uma superfície rígida ou use uma pistola de ar comprimido para limpar a sujeira residual.
3. Drene os reservatórios pelo menos uma vez por turno. Para evitar um spray ou borrifo, cubra a parte inferior do filtro com um tecido e empurre o botão de drenagem manual.
4. Antes de colocar a unidade em operação, certifique-se de que o reservatório tenha sido reinstalado e seguramente fixado no lugar.

## ASSISTÊNCIA TÉCNICA

Para informações sobre a operação ou reparo deste produto, por favor entre em contato com o centro de assistência técnica Campbell Hausfeld mais próximo.

**ACUIDADO**

**Os reservatórios de plástico são apropriados para o uso em ambientes industriais comerciais normais, mas não devem ser colocados em áreas nas quais podem ficar expostos à luz direta do sol, ventos fortes ou temperaturas fora dos limites nominais. Como com a maioria dos plásticos, alguns produtos químicos podem causar danos. Os reservatórios de plástico não devem ser expostos aos hidrocarbonetos clorados, cetonas, ésteres e alguns tipos de álcool. Não devem ser usados em sistemas de ar onde os compressores são lubrificados com fluidos resistentes ao fogo, tais como tipos éster fosfato e di-éster.**

## MATERIAIS QUE ATACAM OS RESERVATÓRIOS DE PLÁSTICO (LISTA PARCIAL)

Acetaldeído	Dicloreto de etileno
Ácido acético (concentrado)	Glicol de etileno
Acetona	Ácido fórmico (concentrado)
Acrlonitrila	Freon (refrig. e proprul.)
Amônia	Gasolina (alto teor aromático)
Fluoreto de amônio	Hidrazina
Hidróxido de amônio	Ácido hidroclórico (concentrado)
Sulfeto de amônio	Diluyente de laca
Adesivos e selantes anaeróbicos	Álcool metílico
Anticongelante	Cloreto de metileno
Benzeno	Salicilato de metileno
Ácido benzoico	Leite de cal (CaOH)
Álcool benzílico	Ácido nítrico (concentrado)
Fluido de freios	Nitrobenzeno
Bromobenzina	Laca de nitrocelulose
Ácido butanoico	Fenol
Ácido carbólico	Hidroxicloreto fosforoso
Bissulfeto de carbono	Tricloreto fosforoso
Tetracloroeto de carbono	Ácido propiônico
Solução de hidróxido de potássio	Piridina
Solução de soda cáustica	Hidróxido de sódio
Clorobenzeno	Sulfeto de sódio
Clorofórmio	Estireno
Cresol	Ácido sulfúrico (concentrado)
Cicloexanol	Cloreto de sulfúrio
Ciclohexanona	Tetraidronaftaleno
Cicloexeno	Tiofeno
Dimetilformamida	Tolueno
Dioxano	Terebentina
Tetracloroeto de etano	Xileno
Acetato etílico	Percloroetileno e outros
Éter etílico	
Etilamina	
Cloridrina de etileno	



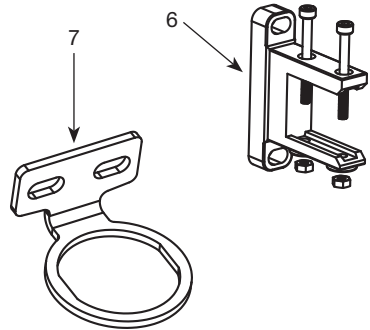
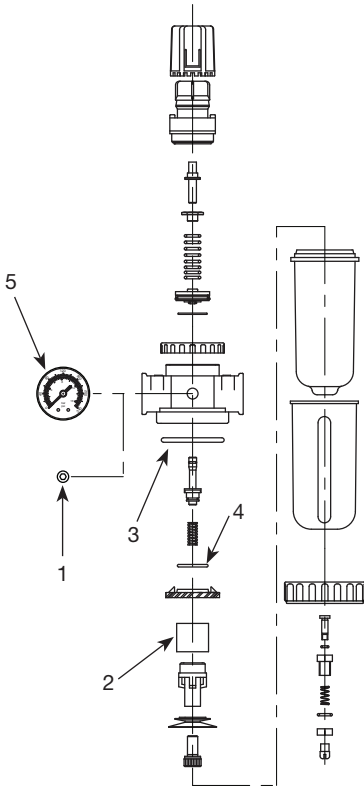
## Para peças de reposição ou assistência técnica, entre em contato com o seu distribuidor local

Por favor forneça as seguintes informações:

- Número do modelo
- Número de série (se houver)
- Descrição e número da peça como mostrado na lista de peças

Envie as correspondências para:

Campbell Hausfeld  
Attn: Customer Service  
100 Production Drive  
Harrison, OH 45030 U.S.A.



Braçadeiras de montagem  
(Vendido separadamente)\*

### LISTA DE PEÇAS DE REPOSIÇÃO

No. de Ref.	Descrição	Número da Peça	Qtd.
1	Plugue o NPT de 3,2 mm (1/8 pol.)	ST022400AV	1
2	Elemento do filtro	■ ●	1
3	Anel em "O" do reservatório	■	1
4	Anel em "O" do filtro	■	1
5	Medidor, NPT de 3,2 mm (1/8 pol.)	HF242100AV	1
■	Kit do elemento do filtro	SX139400AV	1
●	Elementos do filtro de reposição (2 elementos)	SX139500AV	1

### LISTA DE PEÇAS OPCIONAIS

No. de Ref.	Descrição	Número da Peça	Qtd.
6	Braçadeira modular *	SX139600AV	1
7	Braçadeira de parede*	SX139700AV	1

\* Vendido separadamente

**REGISTRE SEU PRODUTO ON-LINE AGORA!**  
<http://reg.ch-commercial.com>

---

## **Garantia Limitada**

1. **DURAÇÃO:** A partir da data de compra por parte do comprador original, da seguinte maneira: Um (1) ano.
2. **QUEM CONCEDE ESTA GARANTIA (GARANTIDOR):** Campbell Hausfeld / Scott Fetzer Company, 100 Production Drive, Harrison, Ohio, 45030, Telefone: (855) 504-5678.
3. **QUEM RECEBE ESTA GARANTIA (COMPRADOR):** O comprador original (não para objetivo de revenda) dos produtos da Campbell Hausfeld.
4. **QUAIS SÃO OS PRODUTOS COBERTOS POR ESTA GARANTIA:** Este acessório da Campbell Hausfeld.
5. **O QUE ESTÁ COBERTO NESTA GARANTIA:** Defeitos substanciais no material e na fabricação que ocorrerem dentro da vigência do período de garantia com exceção dos casos abaixo.
6. **O QUE NÃO ESTÁ COBERTO NESTA GARANTIA:**
  - A. Garantias implícitas, incluindo as de comerciabilidade e ADEQUAÇÃO PARA UM OBJETIVO ESPECÍFICO SÃO LIMITADAS A PARTIR DA DATA DA COMPRA ORIGINAL, CONFORME ESTABELECIDO NO ITEM DURAÇÃO ACIMA. Se este produto for usado para objetivos comerciais, industriais ou para aluguel, a garantia terá a duração de noventa (90) dias a partir da data de compra. Alguns estados (nos Estados Unidos) não permitem limites referentes ao prazo de duração da garantia implícita, de forma que os limites acima podem não se aplicar ao seu caso.
  - B. QUALQUER PERDA, DANO OU DESPESA INCIDENTALS, INDIRETOS OU RESULTANTES QUE POSSAM RESULTAR DE QUALQUER DEFEITO, FALHA OU MAU FUNCIONAMENTO DOS PRODUTOS DA CAMPBELL HAUSFELD. Alguns estados (nos Estados Unidos) não permitem a exclusão ou limite de danos incidentais ou resultantes, de forma que o limite e exclusão acima podem não se aplicar ao seu caso.
  - C. Qualquer falha resultante de acidente, abuso por parte do comprador, negligência ou da não operação do produto de acordo com as instruções no(s) manual(ais) do proprietário que acompanha(m) este produto. Acidente, abuso por parte do comprador, negligência, não operação dos produtos de acordo com as instruções incluirão também a retirada ou alteração de qualquer dispositivo de segurança. Se tais dispositivos de segurança forem retirados ou alterados, esta garantia será anulada.
  - D. A manutenção ou os ajustes normais que são explicados nos manuais do proprietário fornecidos com o produto.
  - E. Itens ou serviços que são normalmente requeridos para a manutenção do produto, como anéis em "O", molas, gaxetas, vedações ou blindagens, agulhas, elementos de filtro ou qualquer outra peça consumível não listada especificamente. Estes itens estarão cobertos apenas por noventa (90) dias a partir da data da compra original.
  - F. Qualquer componente danificado durante o envio ou danificado pelo contato com ferramentas ou componentes ao redor ou qualquer falha causada pela instalação ou operação da unidade em condições que não estão em conformidade com as diretrizes de instalação e operação.
  - G. Defeitos cosméticos que não interferem na função do produto.
7. **RESPONSABILIDADES DO GARANTIDOR DE ACORDO COM ESTA GARANTIA:** Repare ou substitua, a critério do avaliador, produtos ou componentes que apresentam defeito, mau funcionamento e/ou falhas de conformidade dentro do período de garantia especificado.
8. **RESPONSABILIDADES DO COMPRADOR DE ACORDO COM ESTA GARANTIA:**
  - A. Fornecer comprovante de compra datado e registros de manutenção.
  - B. Ligue para a Campbell Hausfeld (855) 504-5678 para obter suas opções de serviço de garantia. Os custos de frete devem ser pagos pelo comprador.
  - C. Usar cuidado adequado na operação e manutenção dos produtos conforme descrito no(s) manual(ais) do proprietário.
9. **QUANDO O GARANTIDOR IRÁ CONSERTAR OU SUBSTITUIR DE ACORDO COM ESTA GARANTIA:** Consertos ou substituições serão programados e realizados de acordo com o fluxo de trabalho normal no local de conserto e dependendo da disponibilidade da peça de substituição.

Esta garantia limitada é válida somente nos E.U.A., no Canadá e no México e oferece direitos legais específicos. Você pode também ter outros direitos, que variam de um estado para outro (nos Estados Unidos), ou de um país para outro.

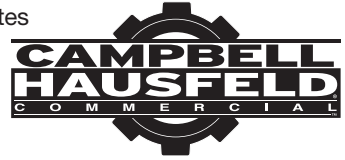
---

**LEMBRETE: Guarde sua comprovação de compra datada até o fim da garantia!  
Junte-a a este manual o arquite-a para mais segurança.**

---



# Filtro - Regulador



## MODELO PA210300AV

### Descripción

El filtro/regulador combina un filtro para uso general con un regulador de presión en una unidad compacta. El filtro está diseñado para quitar la mayoría de las partículas líquidas y sólidas del suministro de aire. El regulador automático de liberación de presión se utiliza para ajustar la salida de presión entre 0 bar y 14,8 bar.

### Desempaque

Al desempacar este producto, revíselo con cuidado para cerciorarse de que esté en perfecto estado. Cericiórese de apretar todas las conexiones, pernos, etc. antes de comenzar a utilizar la unidad.

#### LEA Y SIGA TODAS LAS INSTRUCCIONES

**GUARDE ESTAS INSTRUCCIONES –  
NO LAS DESECHE**

### Medidas de Seguridad

Este manual contiene información que es muy importante que sepa y comprenda. Esta información se la suministramos como medida de SEGURIDAD y para EVITAR PROBLEMAS CON EL EQUIPO. Debe reconocer los siguientes símbolos.

**⚠ PELIGRO** *Ésto le indica que hay una situación inmediata que LE OCASIONARIA la muerte o heridas de gravedad.*

**⚠ ADVERTENCIA** *Ésto le indica que hay una situación que PODRIA ocasionarle la muerte o heridas de gravedad.*

**⚠ PRECAUCION** *Ésto le indica que hay una situación que PODRIA ocasionarle heridas no muy graves.*

**AVISO** *Ésto le indica una información importante, que de no seguirla, le podría ocasionar daños al equipo.*

**NOTA:** Información que requiere atención especial.

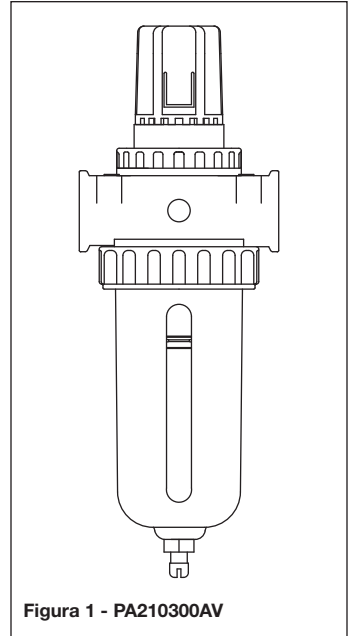


Figura 1 - PA210300AV

### Especificaciones

Tipo	Alivio
Regulador	.....Automático
Rango de temperatura	.....4,5 °C to 60 °C
Presión Máx.	..... 17,2 bar
Entrada/Salida de aire	..... 9,5 mm (3/8 pulg.) NPT
Capacidad de flujo	..... 1189 l/min
Puertos del manómetro	..... 3,2 mm (1/8 pulg.) NPT
Elemento del filtro	.....5 Micron
Capacidad de drenaje	... 80 mL

Por favor lea y guarde estas instrucciones. Léalas cuidadosamente antes de tratar de montar, instalar, operar o dar mantenimiento al producto aquí descrito. Protéjase usted mismo y a los demás observando toda la información de seguridad. ¡El no cumplir con las instrucciones puede ocasionar daños, tanto personales como a la propiedad! Guarde estas instrucciones para referencia en el futuro.

## Informaciones Generales de Seguridad

### PROPOSICIÓN 65 DE CALIFORNIA

**⚠ ADVERTENCIA** Este producto, o su cable de corriente pueden contener químicos, incluido plomo, que es conocido por el Estado de California como causante de cáncer y defectos de nacimiento u otros daños reproductivos. Lávese las manos después de manipularlo.

**⚠ ADVERTENCIA** Cuando corta lija, taladra o pule materiales como por ejemplo madera, pintura, metal, hormigón, cemento, u otro tipo de mampostería se puede producir polvo. Con frecuencia este polvo contiene productos químicos que se conocen como causantes de cáncer, defectos congénitos u otros daños reproductivos. Use equipo de protección.



### INFORMACIONES GENERALES DE SEGURIDAD

Este producto es parte de un sistema de alta presión y siempre debe seguir las siguientes medidas de seguridad al igual que otras medidas de seguridad establecidas.

Lea este manual de instrucciones antes de instalar esta unidad en el sistema de suministro de aire. Familiarícese con los controles y el uso adecuado del equipo.



### ⚠ ADVERTENCIA

Siempre debe usar anteojos de seguridad para operar la unidad.



1. Siempre trabaje en áreas bien ventiladas.
2. No exceda la presión indicada para ninguno de los componentes del sistema.
3. Proteja todas las líneas de aire contra daños o rupturas.
4. Chequee las mangueras de aire a ver si están debilitadas o desgastadas antes de cada uso. Cerciórese de que todas las condiciones estén bien apretadas.
5. Mantenga todas las tuercas, pernos y tornillos bien apretados y cerciórese de que el equipo esté en buenas condiciones funcionar.

### ⚠ PELIGRO

Este producto está diseñado específicamente para sistemas de aire comprimido **SOLAMENTE**. El usarlo con otros materiales (líquidos o gases) no es adecuado y no está permitido. El uso o la inyección de ciertos líquidos o gases peligrosos en el sistema (tales como oxígeno, alcohol o gas líquido de petróleo) dañará la unidad y ocasionará una condición combustible o fuga externa peligrosa. El uso inadecuado cancelará todas las garantías y responsabilidades civiles del fabricante.



**⚠ PELIGRO** La capacidad de flujo de los reguladores es limitada. Instale artefactos adicionales para liberar la presión para evitar condiciones de

**presiones excesivas. Debe obtener permiso por escrito del fabricante si piensa utilizar esta unidad en sistemas médicos u otros usos no industriales.**

## Instalación

### ⚠ ADVERTENCIA

**Desconecte la unidad y libere toda la presión del sistema antes de tratar de instalar, darle servicio, reubicar o darle cualquier tipo de mantenimiento.**



1. Ubique la flecha de dirección de flujo (Vea Figura 2). Esta flecha indica la dirección del flujo de aire.
2. Retire los tapones de la bolsa de plástico. Aplique cinta PTFE en las roscas e instálelos firmemente en los orificios (Vea Fig. 3).
3. Instale adecuadamente el filtro/ regulador en posición vertical lo más cerca posible de la herramienta neumática.
4. Verificar que las puntas de las flechas apunten en la dirección del flujo de aire (Vea Fig. 2).
5. Instale la unidad con tuberías del mismo tamaño de las usadas. Evite

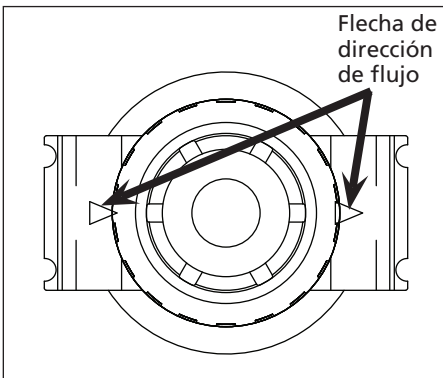


Figura 2 - Detalle mostrando ubicación de la flecha de dirección de flujo

usar conectores, acopladores, etc adicionales que pudiesen restringir el flujo de aire.

6. Conecte el suministro de aire al orificio de entrada.

## Funcionamiento

### ⚠ AVISO

**Cerchióse de que la perilla para ajustar el regulador no tenga el seguro cuando vaya a ajustar la presión. Si gira la perilla con el seguro puesto, dañará el regulador.**

1. Antes de presurizar el sistema, asegúrese de que el envase quede firmemente asegurado en su lugar ajustando el anillo del envase hasta que quede apretado.
2. Para quitarle el seguro a la perilla del regulador, hale la perilla.
3. Gire la perilla del regulador en sentido contrario a las agujas del reloj hasta que el resorte esté completamente estirado (sin presión)
4. Encienda la fuente de suministro de aire y gire la perilla en el mismo sentido de las agujas del reloj hasta alcanzar la presión deseada. Oprima la perilla hacia regulador para fijarla a la presión deseada.

## Mantenimiento

### **▲ ADVERTENCIA**

***Libere toda la presión del sistema antes de tratar de instalar, darle servicio, reubicar o darle cualquier tipo de mantenimiento al sistema de aire. De no hacerlo podría ocasionarle heridas personales o daños a su propiedad.***



### **▲ ADVERTENCIA**

***Siempre libere toda la presión de la unidad antes de desconectar el envase. De no hacerlo podría ocasionarle heridas personales o daños a su propiedad. Si tiene dificultad para desconectar el envase, éste podría estar bajo presión.***

## FILTRO

1. Verifique y reemplace sellos rotos, dañados o deteriorados. Limpie los recipientes con un paño suave, limpio y seco.
2. Periódicamente reemplace o limpie el elemento del filtro. Saque el elemento del filtro y golpéelo contra una superficie dura o use una pistola neumática para eliminar los residuos de impurezas.

3. Drene los recipientes por lo menos una vez por turno de trabajo. Para evitar rociado o salpicaduras, cubra el fondo del filtro con un paño y empuje el botón del desagüe manual.
4. Antes de comenzar a utilizar la unidad, cerciórese de que el envase esté bien instalado y asegurado.

## ASSISTÊNCIA TÉCNICA

Para mayor información en relación al funcionamiento o reparación de este producto, comuníquese con el concesionario de Campbell Hausfeld más cercano a su domicilio.

**▲ PRECAUCION**

*Los bols plásticos son adecuados para uso en entornos comerciales industriales normales, pero no deben colocarse en áreas donde queden expuestos a la luz solar directa, a golpes de impacto o a temperaturas fuera del intervalo indicado. Como con la mayoría de los plásticos, algunas sustancias químicas pueden provocar daños. Los bols plásticos no deben ser expuestos a hidrocarburos clorados, cetonas, ésteres y ciertos alcoholes. No deben utilizarse en sistemas de aire donde los compresores estén lubricados con líquidos ignífugos tales como éster de fosfato y tipos de diésteres.*

## MATERIALES QUE ATACAN A LOS BOLS PLÁSTICOS (LISTA PARCIAL)

Acetaldehído	Dicloruro etilénico
Ácido acético (concentrado)	Etilenoglicol
Acetona	Ácido fórmico (concentrado)
Acrylonitrilo	Freón (refrig. & propel.)
Amoniaco	Gasolina (muy aromática)
Floruro de amonio	Hidracine
Hidróxido de amonio	Ácido hidrociorhídrico (concentrado)
Sulfuro de amonio	Thinner para lacas
Adhesivos & selladores anaeróbicos	Alcohol metílico
Anticongelantes	Cloruro de metileno
Benceno	Metileno salicílico
Ácido benzoico	CaOH
Alcohol bencílico	Ácido nítrico (concentrado)
Fluídos para frenos	Nitrobenceno
Bromobenceno	Lacas Nitrocelulosas
Ácido butírico	Fenol
Ácido carbólico	Cloruro hidróxido de fósforo
Disulfuro de carbón	Tricloruro de fósforo
Tetracloruro de carbón	Ácido fopiónico
Solución cáustica de potasa	Piridina
Solución cáustica de sodio	Hidróxido de sodio
Clorobenceno	Sulfuro de sodio
Cloroformo	Estireno
Creosol	Ácido sulfúrico (concentrado)
Ciclohexanol	Cloruro de azufre
Ciclohexanona	Tetrahidronaftalina
Ciclohexeno	Tiofena
Formamida de dimetila	Tolueno
Dioxano	Terpentina
Tetracloruro de etano	Xileno
Acetato de etilo	Percloretileno y otros
Éter etílico	
Etilaminas	
Clorhidrina etilénica	



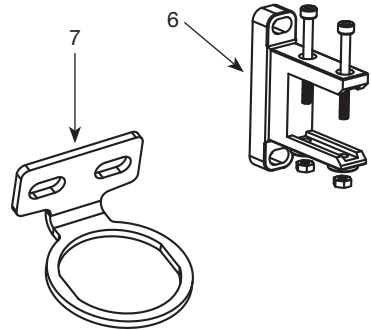
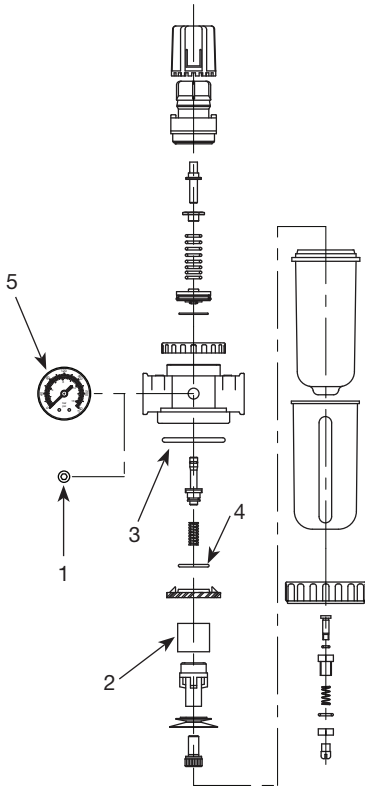
## Para Ordenar Repuestos o Asistencia Técnica, Sírvase Llamar al Distribuidor Más Cercano a Su Domicilio

Sírvase darnos la siguiente información:

- Número del modelo
- Código impreso (si correspondiera)
- Descripción y número del repuesto según la lista de repuestos

Dirija toda la correspondencia a:

Campbell Hausfeld  
Attn: Customer Service  
100 Production Drive  
Harrison, OH 45030 U.S.A.



Ménsulas de montaje  
(Se vende por separado) \*

### LISTA DE PARTES DE REPARACIÓN

No. de Ref.	Descripción	No. de Parte	Ctd.
1	Tapón NPT de 1/8 po	ST022400AV	1
2	Elemento del filtro	■ ●	1
3	Aro tórico del envase	■	1
4	Anillo en O del filtro	■	1
5	Manómetro de 3,2 mm (1/8")	HF242100AV	1
■	Kit del elemento del filtro	SX139400AV	1
●	Elementos de repuesto del filtro (2 elementos)	SX139500AV	1

### LISTA DE REPUESTOS OPCIONALES\*

No. de Ref.	Descripción	No. de Parte	Ctd.
6	Ménsula modular *	SX139600AV	1
7	Soporte para pared *	SX139700AV	1

\* Se vende por separado

**¡REGISTRE SU PRODUCTO EN LÍNEA AHORA MISMO!**  
<http://reg.ch-commercial.com>

---

## **Garantía Limitada**

1. DURACIÓN: Desde la fecha de compra por parte del comprador original, según se detalla: 1 (un) año.
2. QUIEN OTORGA ESTA GARANTIA (EL GARANTE: Campbell Hausfeld / The Scott Fetzer Company 100 Production Drive, Harrison, Ohio 45030 Teléfono: (855) 504-5678.
3. QUIEN RECIBE ESTA GARANTIA (EL COMPRADOR): El comprador original (que no sea un revendedor) del producto Campbell Hausfeld.
4. PRODUCTOS CUBIERTOS POR ESTA GARANTIA: Este accesorio de Campbell Hausfeld.
5. COBERTURA DE LA GARANTIA: Defectos importantes en los materiales y la mano de obra que ocurran durante la duración del período de garantía con las excepciones que se mencionan a continuación.
6. LO QUE NO ESTA CUBIERTO POR ESTA GARANTIA:
  - A. Las garantías implícitas, incluyendo aquellas de comercialidad E IDONEIDAD PARA FINES PARTICULARES, ESTAN LIMITADOS A LO ESPECIFICADO EN EL PARRAFO DE DURACION. Si este producto es empleado para uso comercial, industrial o para renta, la garantía será aplicable por noventa (90) días a partir de la fecha de compra. En algunos estados no se permiten limitaciones a la duración de las garantías implícitas, por lo tanto, en tales casos esta limitación no es aplicable.
  - B. CUALQUIER PERDIDA DAÑO INCIDENTAL, INDIRECTO O CONSECUENTE QUE PUEDA RESULTAR DE UN DEFECTO, FALLA O MALFUNCIONAMIENTO DEL PRODUCTO CAMPBELL HAUSFELD. En algunos estados no se permite la exclusión o limitación de daños incidentales o consecuentes, por lo tanto, en tales casos esta limitación o exclusión no es aplicable
  - C. Cualquier falla que resulte de un accidente, abuso, negligencia o incumplimiento de las instrucciones de funcionamiento y uso indicadas en el (los) manual(es) que se adjunta(n) al producto. Dichos accidentes, abusos por parte del comprador, o falta de operar el producto siguiendo las instrucciones del manual de instrucciones suministrado también debe incluir la desconexión o modificación de los instrumentos de seguridad. Si dichos instrumentos de seguridad son desconectados, la garantía quedará cancelada.
  - D. Mantenimiento normal o ajustes que se explican en el o los manuales del propietario incluidos con el producto.
  - E. Los artículos o servicios que son necesarios normalmente para mantener el producto, p. ej. anillos en O, resortes, juntas, empaquetaduras o sellos, agujas, elementos de filtro o cualquier otra pieza fungible no mencionada específicamente. Estos artículos solamente estarán cubiertos durante noventa (90) días a partir de la fecha de compra original.
  - F. Todo componente dañado durante el envío o toda falla causada al instalar u operar la unidad bajo condiciones que no estén de acuerdo con las pautas de instalación y funcionamiento o dañadas por el contacto con herramientas o el entorno.
  - G. Defectos estéticos que no interfieran con la función del producto
7. RESPONSABILIDADES DEL GARANTE BAJO ESTA GARANTIA: Según elija el Garante, la reparación o el reemplazo del producto o los componentes que estén defectuosos, que hayan funcionado en forma inadecuada y/o que no hayan cumplido con su función dentro de la duración del período especificado de la garantía.
8. RESPONSABILIDADES DEL COMPRADOR BAJO ESTA GARANTIA:
  - A. Suministrar prueba fechada de compra y la historia de mantenimiento del producto.
  - B. Llame a Campbell Hausfeld (855) 504-5678 por sus opciones de servicio incluidas en la garantía. Los costos de flete correrán por cuenta del comprador.
  - C. Seguir las instrucciones sobre operación y mantenimiento del producto, tal como se indica(n) en el (los) manual(es) del propietario
9. CUANDO EFECTUARA EL GARANTE LA REPARACION O REEMPLAZO CUBIERTO BAJO ESTA GARANTIA: La reparación o reemplazo dependerá del flujo normal de trabajo del centro de servicio y de la disponibilidad de repuestos.

Esta garantía limitada es válida sólo en los EE.UU., Canadá y México y otorga derechos legales específicos. Usted también puede tener otros derechos que varían de un Estado a otro, o de un país a otro.

---

**RECORDATORIO: ¡Guarde su comprobante de compra con fecha para fines de la garantía! Adjúntela a este manual o archívela en lugar seguro.**

---