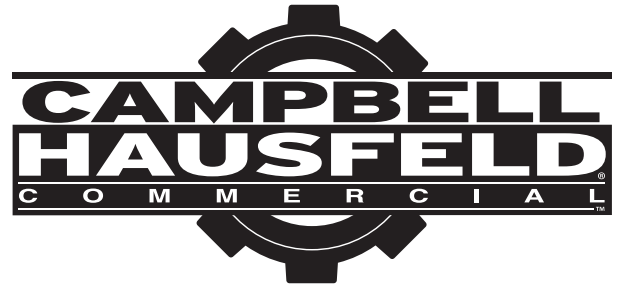
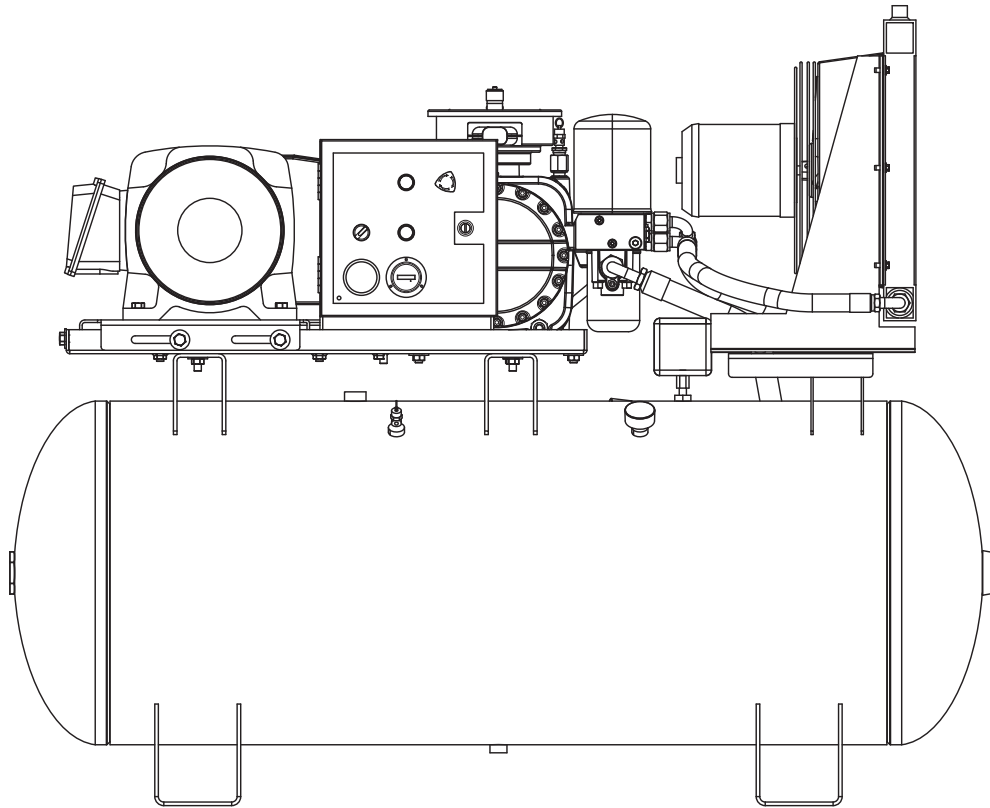


# Rotary Screw Air Compressors



## Series CS Rotary Screw Compressors



### Table of Contents

Safety Guidelines . . . . .	2
Safety Symbols . . . . .	2
Important Safety Information . . . . .	2
Specifications . . . . .	2
Getting To Know Your Compressor . . . . .	4
Unpacking . . . . .	7
Installation . . . . .	7
Wiring Diagram . . . . .	9
Operation . . . . .	13
Maintenance . . . . .	14
Troubleshooting Guide . . . . .	18
Limited Warranty . . . . .	20

### Quick Reference

#### OIL

Single viscosity ISO46 rotary screw compressor oil (Part number CS0030 - 1 Gallon Container). Available from Campbell Hausfeld, please call 1-855-504-5678 for customer assistance.

#### OIL CAPACITY

2.1 gallons

### RETAIN THIS INFORMATION FOR FUTURE REFERENCE

**Serial Number:**

**Model Number:**

**Date of Purchase:**

### Safety Guidelines

This manual contains information that is very important to know and understand. This information is provided for SAFETY and to PREVENT EQUIPMENT PROBLEMS. To help recognize this information, observe the following symbols.

**⚠ DANGER** Danger indicates an imminently hazardous situation which, if not avoided, WILL result in death or serious injury.

**⚠ WARNING** Warning indicates a potentially hazardous situation which, if not avoided, COULD result in death or serious injury.

**⚠ CAUTION** Caution indicates a potentially hazardous situation which, if not avoided, MAY result in minor or moderate injury.

**NOTICE** Notice indicates important information, that if not followed, may cause damage to equipment.

**IMPORTANT:** Information that requires special attention.

### Safety Symbols

The following Safety Symbols appear throughout this manual to alert you to important safety hazards and precautions.



Wear Eye and Mask Protection



Read Manual First



Risk of Fire



Risk of Moving Parts



Risk of Hot Parts



Risk of Explosion



Risk of Fumes



Risk of Pressure



Risk of Electrocution

**Please read and save these instructions. Read carefully before attempting to assemble, install, operate or maintain the product described. Protect yourself and others by observing all safety information. Failure to comply with instructions could result in personal injury and/or property damage! Retain instructions for future reference.**

### Important Safety Information

This manual contains important safety, operational and maintenance information. If you have any questions, please call 1-855-504-5678 for customer assistance.

#### CALIFORNIA PROPOSITION 65

**⚠ WARNING** This product or its power cord may contain chemicals known to the State of California to cause cancer and birth defects or other reproductive harm. Wash hands after handling.

**⚠ WARNING** You can create dust when you cut, sand, drill or grind materials such as wood, paint, metal, concrete, cement, or other masonry. This dust often contains chemicals known to cause cancer, birth defects, or other reproductive harm. Wear protective gear.



### ⚠ DANGER

#### Breathable Air Warning

This compressor/pump is not equipped and should not be used “as is” to supply breathing quality air. For any application of air for human consumption, the air compressor/pump will need to be fitted with suitable in-line safety and alarm equipment. This additional equipment is necessary to properly filter and purify the air to meet minimal specifications for Grade D breathing as described in Compressed Gas Association Commodity Specification G 7.1, OSHA 29 CFR 1910. 134, and/or Canadian Standards Associations (CSA).

#### DISCLAIMER OF WARRANTIES

In the event the compressor is used for the purpose of breathing air application and proper in-line safety and alarm equipment is not simultaneously used, existing warranties shall be voided, and Campbell Hausfeld disclaims any liability whatsoever for any loss, personal injury or damage.

### Specifications

Model	HP	Voltage	Phase	Air Delivery @ 150 psi Operating Pressure	Tank Size (Gallons)
CS2152	15	208	3	46 CFM	120
CS2153	15	230	3	46 CFM	120
CS2154	15	460	3	46 CFM	120
CS2202	20	208	3	68 CFM	120
CS2203	20	230	3	68 CFM	120
CS2204	20	460	3	68 CFM	120
CS2252	25	208	3	87 CFM	120
CS2253	25	208	3	87 CFM	120
CS2254	25	460	3	87 CFM	120

**Important Safety Information (Continued)**

**GENERAL SAFETY**

- ◆ Read all manuals included with this product carefully. Be thoroughly familiar with the controls and the proper use of the equipment.
- ◆ Follow all local electrical and safety codes as well as the United States National Electrical Codes (NEC) and Occupational Safety and Health Act (OSHA).
- ◆ Only persons well acquainted with these rules of safe operation should be allowed to use the compressor.
- ◆ Keep visitors away and NEVER allow children in the work area.
- ◆ Wear safety glasses and use hearing protection when operating the unit.
- ◆ Do not stand on or use the unit as a handhold.
- ◆ The protection devices fitted to this compressor are provided to offer safety of operation. The operator is solely responsible for personal safety at all times. These devices should not be adjusted except by an authorised service agent.
- ◆ Before each use, inspect compressed air system and electrical components for signs of damage, deterioration, weakness or leakage. Repair or replace defective items before using.
- ◆ Check all fasteners at frequent intervals for proper tightness.



**▲ WARNING** *Motors, electrical equipment and controls can cause electrical arcs that will ignite a flammable gas or vapor. Never operate or repair in or near a flammable gas or vapor. Never store flammable liquids or gases in the vicinity of the compressor.*



**▲ WARNING** *Never operate compressor without a beltguard. This unit can start automatically without warning. Personal injury or property damage could occur from contact with moving parts.*



- ◆ Do not wear loose clothing or jewelry that will get caught in the moving parts of the unit.

**▲ CAUTION** *Compressor parts may be hot even if the unit is stopped.*



- ◆ Keep fingers away from a running compressor; fast moving and hot parts will cause injury and/or burns.
- ◆ If the equipment should start to vibrate abnormally, STOP the engine/motor and check immediately for the cause. Vibration is generally an indication of trouble.
- ◆ To reduce fire hazard, keep engine/motor exterior free of oil, solvent, or excessive grease.

**▲ WARNING** *An ASME code safety relief valve with a setting no higher than the Maximum Allowable Working Pressure (MAWP) of the tank MUST be*

*installed in the air lines or in the tank for this compressor. The ASME safety valve must have sufficient flow and pressure ratings to protect the pressurized components from bursting. The flow rating can be found in the parts manual. The safety valve in the intercooler does not provide system protection.*

**▲ WARNING** *Maximum operating pressure is 150 psi. Do not operate with pressure switch or pilot valves set higher than the factory setting.*

- ◆ Never attempt to adjust ASME safety valve. Keep safety valve free from paint and other accumulations.

**▲ WARNING** *Never attempt to repair or modify a tank! Welding, drilling or any other modification will weaken the tank resulting in damage from rupture or explosion. Always replace worn, cracked or damaged tanks.*



**NOTICE**

*Drain liquid from tank daily.*

- ◆ Tanks rust from moisture build-up, which weakens the tank. Make sure to drain tank regularly and inspect periodically for unsafe conditions such as rust formation and corrosion.
- ◆ Fast moving air will stir up dust and debris which may be harmful. Release air slowly when draining moisture or depressurizing the compressor system.

**SPRAYING PRECAUTIONS**

**▲ WARNING** *Do not spray flammable materials in vicinity of open flame or near ignition sources including the compressor unit.*



- ◆ Do not smoke when spraying paint, insecticides, or other flammable substances.
- ◆ Use a face mask/respirator when spraying and spray in a well ventilated area to prevent health and fire hazards.
- ◆ Do not direct paint or other sprayed material at the compressor. Locate compressor as far away from the spraying area as possible to minimize overspray accumulation on the compressor.
- ◆ When spraying or cleaning with solvents or toxic chemicals, follow the instructions provided by the chemical manufacturer.



**SAVE THESE INSTRUCTIONS  
DO NOT DISCARD**

The **DANGER, WARNING, CAUTION, and NOTICE** notifications and instructions in this manual cannot cover all possible conditions and situations that may occur. It must be understood by the operator that caution is a factor which cannot be built into this product, but must be supplied by the operator.

## Getting To Know Your Compressor

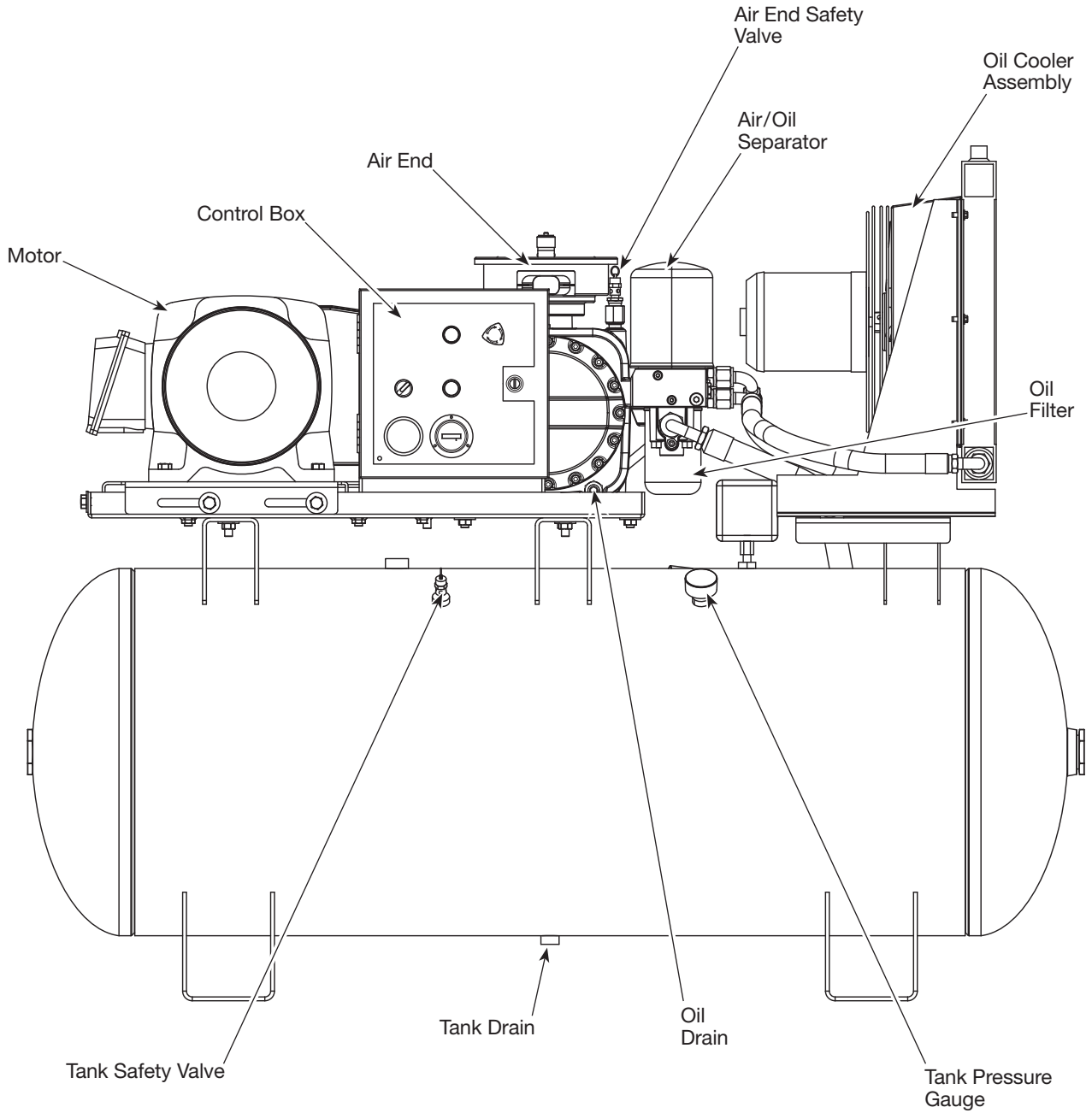


Figure 1 - Components of the compressor

**Getting To Know Your Compressor**

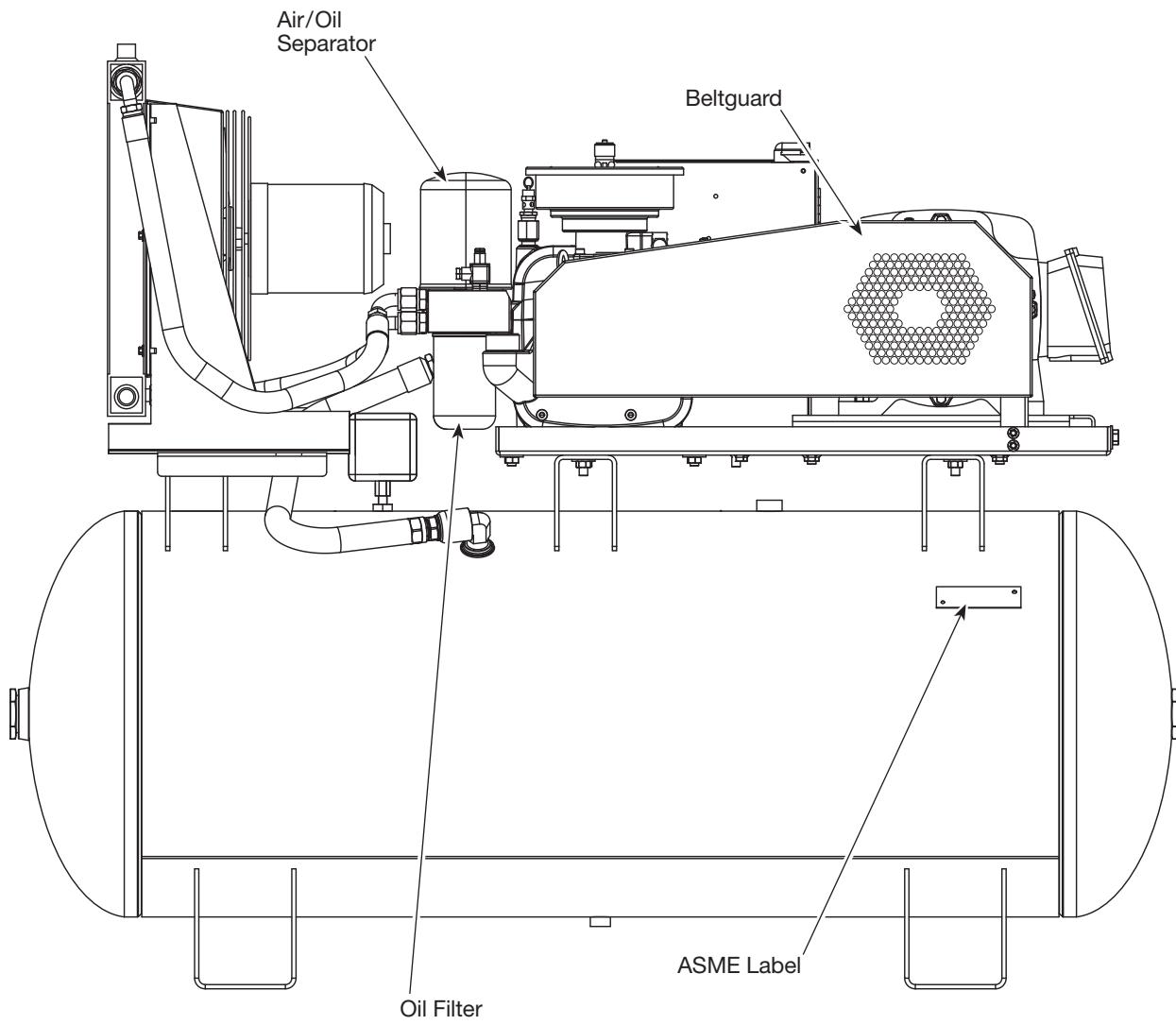


Figure 2 - Components of the compressor

## Getting To Know Your Compressor

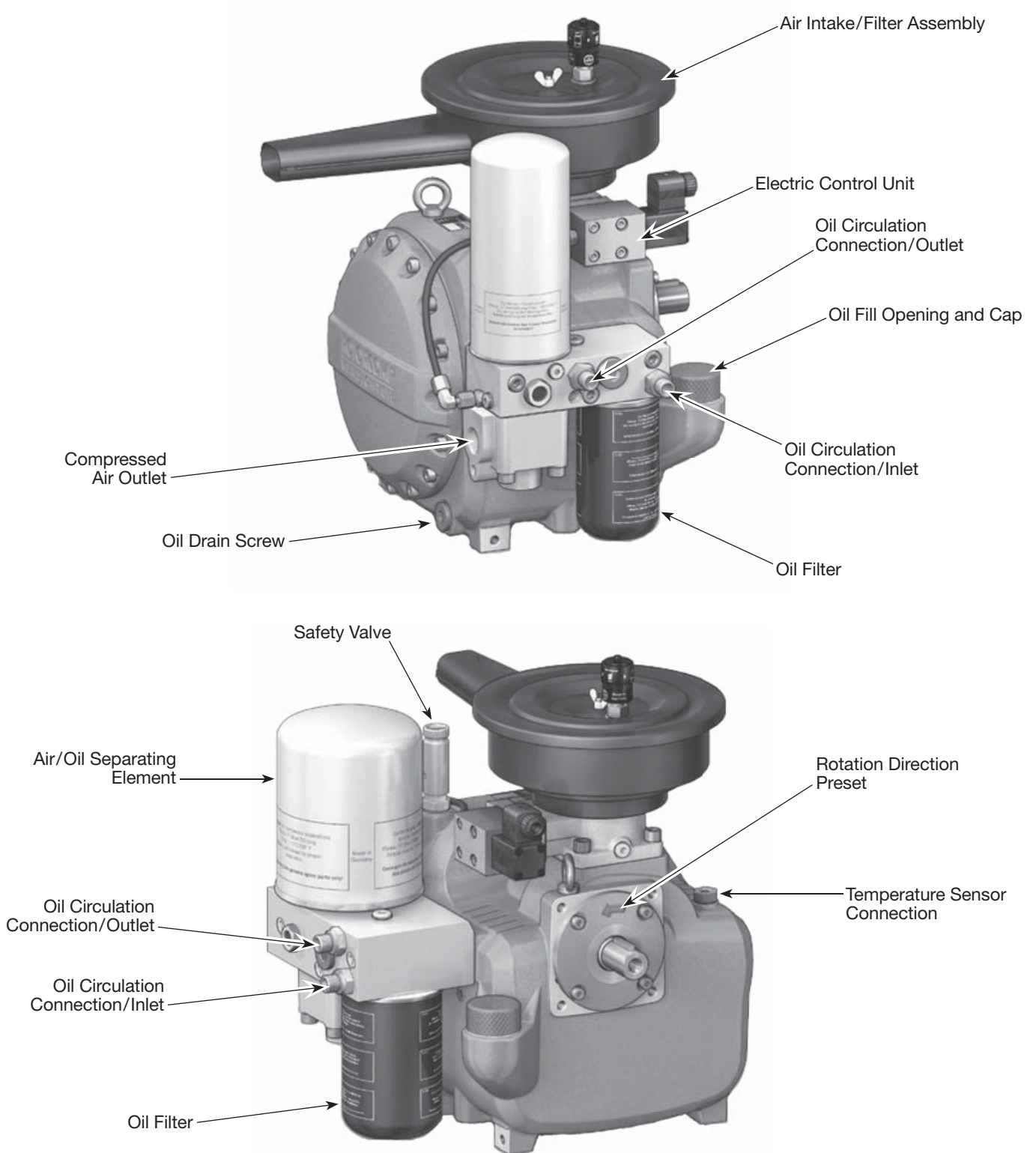


Figure 3 - Components of the air end

## Unpacking

**CAUTION** Do not lift or move unit without appropriately rated equipment. Be sure the unit is securely attached to lifting device used. Do not lift unit by holding onto tubes or coolers. Do not use unit to lift other attached equipment.

After unpacking the unit, inspect carefully for any damage that may have occurred during transit. Check for loose, missing or damaged parts. Check to be sure all supplied accessories are enclosed with the unit. In case of questions, damaged or missing parts, please call 1-855-504-5678 for customer assistance.

**WARNING** Do not operate unit if damaged during shipping, handling or use. Damage may result in bursting and cause injury or property damage.

## Installation

**WARNING** Disconnect, tag and lock out power source then release all pressure from the system before attempting to install, service, relocate or perform any maintenance.



**CAUTION** Do not lift or move unit without appropriately rated equipment. Be sure the unit is securely attached to lifting device used. Do not lift unit by holding onto tubes or coolers. Do not use unit to lift other attached equipment.

**CAUTION** Never use the wood shipping skids for mounting the compressor.

### PICKING THE LOCATION

Install and operate unit at least 36 inches from any obstructions in a clean, ventilated area. The surrounding air temperature should not exceed 100° F or fall below 40° F. This will ensure an unobstructed flow of air to cool compressor and allow adequate space for maintenance.

**CAUTION** Do not locate the compressor air inlet near steam, paint spray, sandblast areas or any other source of contamination.

**NOTE:** If compressor operates in a hot, moist environment, supply compressor pump with clean, dry outside air. Supply air should be piped in from external sources.

### TANK MOUNTING

The tank should be bolted into a flat, even, concrete floor or on a separate concrete foundation.

If using isolator pads, **do not draw bolts tight**. Allow the pads to absorb vibrations. When isolators are used, a flexible hose or coupling should be installed between the tank and service piping.

**WARNING** Failure to properly install the tank can lead to cracks at the welded joints and possible bursting.

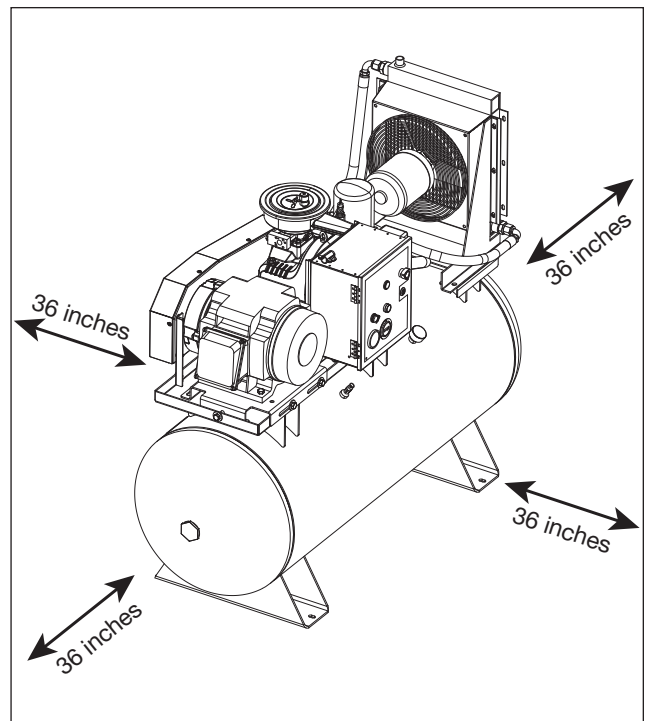


Figure 4 - Location

## Installation (Continued)

### PIPING

**▲ WARNING** *Never use plastic (PVC) pipe for compressed air. Serious injury or death could result.*

Any tube, pipe or hose connected to the unit must be able to withstand the temperature generated and retain the pressure. All pressurized components of the air system must have a pressure rating of 200 psi or higher. Incorrect selection and installation of any tube, pipe or hose could result in bursting and injury. Connect piping system to tank using the same size fitting as the discharge port.

### INSTALLING A SHUT-OFF VALVE

A shut-off valve should be installed on the discharge port of the tank to control the air flow out of the tank. The valve should be located between the tank and the piping system.

**▲ WARNING** *Never install a shut-off valve between the compressor pump and the tank. Personal injury and/or equipment damage may occur. Never use reducers in discharge piping.*

When creating a permanently installed system to distribute compressed air, find the total length of the system and select pipe size from the chart. Bury underground lines below the frost line and avoid pockets where condensation can gather and freeze.

Apply air pressure to the piping installation and make sure all joints are free from leaks BEFORE underground lines are covered. Before putting the compressor into service, find and repair all leaks in the piping, fittings and connections.

### WIRING (see page 9 for wiring diagrams)

**▲ WARNING** *All wiring and electrical connections must be performed by a qualified electrician familiar with induction motor controls. Installations must be in accordance with local and national codes.*

**▲ WARNING** *Overheating, short circuiting and fire damage will result from inadequate wiring.*

Wiring must be installed in accordance with National Electrical Code and local codes and standards that have been set up covering electrical apparatus and wiring. These should be consulted and local ordinances observed. Be certain that adequate wire sizes are used, and that:

1. Service is of adequate ampere rating.
2. The supply line has the same electrical characteristics (voltage, cycles and phase) as the motor. Refer to motor name plate for electrical ratings and specifications.
3. The line wire is the proper size and that no other equipment is operated from the same line. The chart gives minimum recommended wire sizes for compressor installations.

### MINIMUM PIPE SIZE FOR COMPRESSED AIR LINE

CFM	Length Of Piping System			
	25 feet	50 feet	100 feet	250 feet
10	1/2 inch	1/2 inch	3/4 inch	3/4 inch
20	3/4 inch	3/4 inch	3/4 inch	1 inch
40	3/4 inch	1 inch	1 inch	1 inch
60	3/4 inch	1 inch	1 inch	1 inch
100	1 inch	1 inch	1 inch	1-1/4 inch

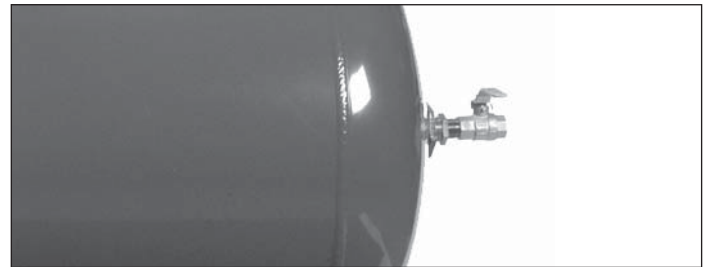


Figure 5 - Shut-off Valve

### MINIMUM WIRE SIZE (USE A MINIMUM OF 75°C COPPER WIRE)

Make sure voltage is correct with the motor wiring.

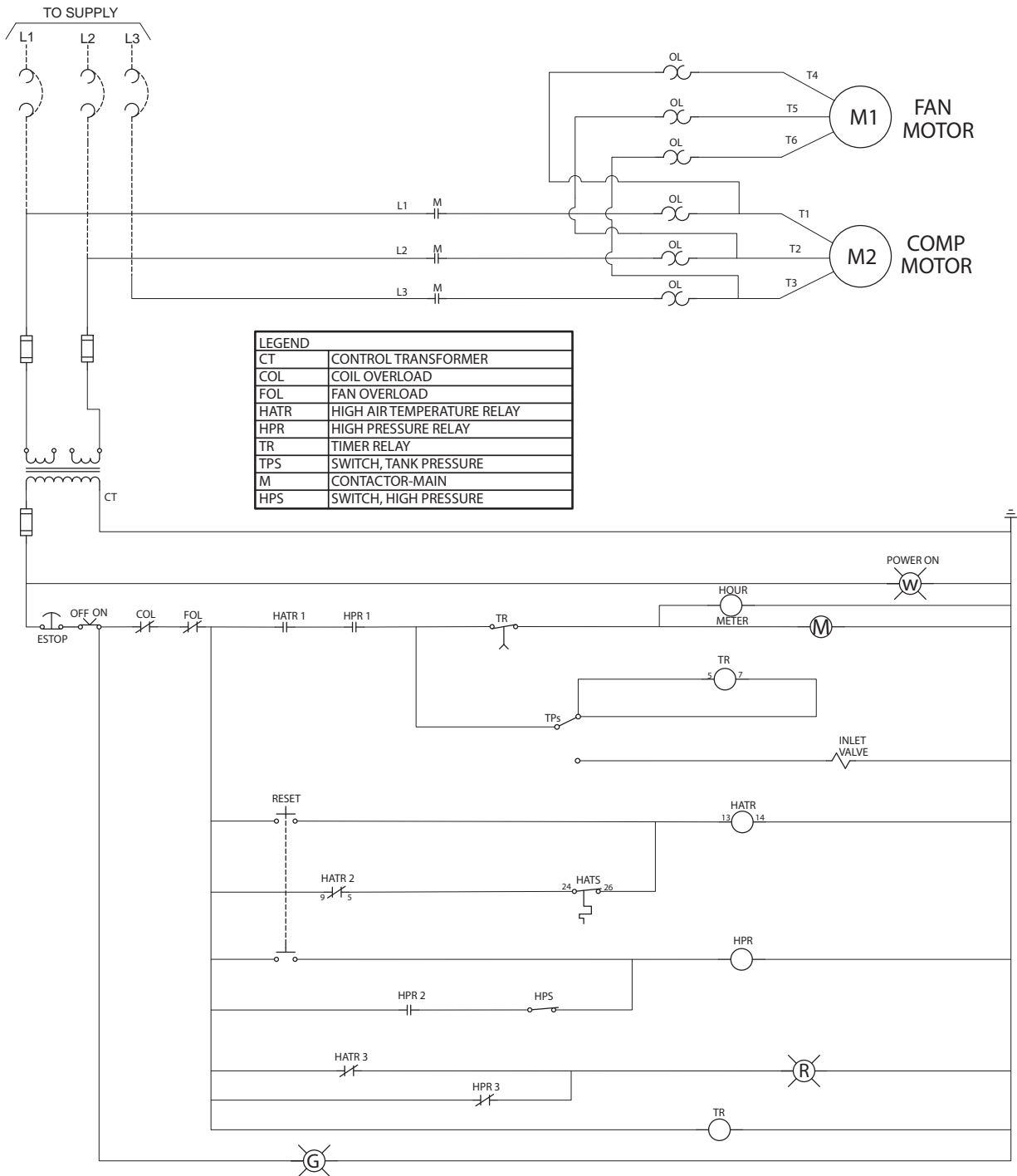
**NOTE:** If using 208 volts single phase, make sure the motor name plate states it is rated for 208 volts single phase. 230 volt single phase motors do not work on 208 volts unless they have the 208 volt rating.

HP	Three Phase	
	208/230V	460/575V
5	12 AWG	14 AWG
7.5	10 AWG	12 AWG
10	8 AWG	12 AWG
15	6 AWG	10 AWG
20	3 AWG	8 AWG
25	3 AWG	8 AWG

**Recommended wire sizes may be larger than the minimum set up by local ordinances. If so, the larger size wire should be used to prevent excessive line voltage drop. The additional wire cost is very small compared with the cost of repairing or replacing a motor electrically "starved" by the use of supply wires which are too small.**



**Wiring Diagram**



BRANCH CIRCUIT PROTECTION AND DISCONNECT TO BE PROVIDED BY QUALIFIED INSTALLER. INSTALL IN ACCORDANCE WITH ALL LOCAL, STATE, AND NATIONAL CODES.

FIELD WIRING TERMINALS SHALL USE MIN 90 DEG C COPPER CONDUCTORS ONLY. TORQUE FIELD WIRING TERMINAL SCREWS TO 25 IN LBS.

## Installation (Continued)

### GROUNDING

#### **⚠ WARNING**

*Improperly grounded electrical components are shock hazards.*

**Make sure all the components are properly grounded to prevent death or serious injury.**



This product **must** be grounded. Grounding reduces the risk of electrical shock by providing an escape wire for the electric current if short circuit occurs. This product must be installed and operated with a cable that has a grounding wire.

### BREAKERS AND FUSES

The entire electrical system should be checked by a certified electrician. Time delay breakers and fuses are required for this compressor. A tripped breaker or blown fuses may indicate a direct short to ground, high current draw, improper wiring, incorrect fuse or breaker size and/or type. This needs to be evaluated by a certified electrician.

### MOTOR HOOKUP AND STARTER INSTALLATION

Branch circuit protection must be provided as specified in the United States National Electrical Code, Chapter 2, "Wiring Design and Protection." Article 210, using the applicable article "For Motors and Motor Controllers," (Article 430, Table 430-1 52).

### DIRECTION OF ROTATION

**NOTE: IMPROPER ROTATION WILL RESULT IN FAILURE OF COMPRESSOR.**

The direction of rotation must be counterclockwise (as shown by the arrow on the air end in Figure 6) while facing the flywheel side of the pump.

The direction of rotation of 3 phase motors can be reversed by interchanging any two motor-line leads.

### CHECKING ROTATION DIRECTION

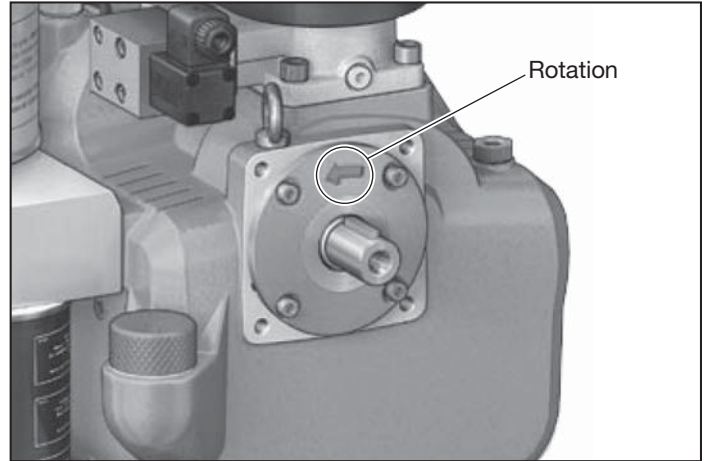


Figure 6 - Direction of rotation

**ROTATION DIRECTION:** rotating to the left (counterclockwise) looking at the shaft.

#### **⚠ CAUTION**

**The rotation direction of the screw compressor system must be checked during initial start-up and each time changes are made to the electrical supply line of the electric motor drive. For this purpose, switch on the drive motor briefly and then switch off again immediately. ROTATION FOR MORE THAN 2 SECONDS IN THE WRONG ROTATION DIRECTION WILL DESTROY THE SCREW COMPRESSOR. If necessary, reverse the connections of the connecting cable.**

**Installation (Continued)**

**LUBRICATION**

**CAUTION**

**THIS UNIT CONTAINS OIL.** Before operating compressor, check oil level (see Figure 7).

**CAUTION**

Using any other type of oil may shorten pump life and result in damage.

**Recommended Oil**

Single viscosity ISO46 rotary screw compressor oil (Part number CS0030 - 1 Gallon Container). Available from Campbell Hausfeld, please call 1-855-504-5678 for customer assistance.

**Oil Capacity**

2.1 gallons

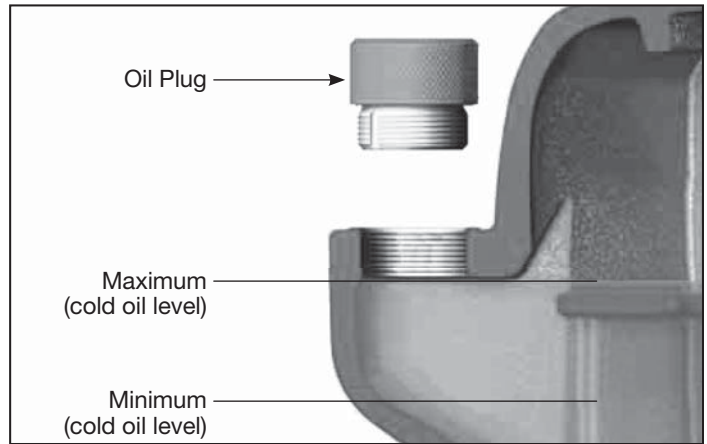


Figure 7 - Oil Level

**OIL LEVEL**

**WARNING**

Disconnect, tag and lock out power source then release all pressure from the system before attempting to install, service, relocate or perform any maintenance.



**WARNING**

**RISK OF BURNS!** The unit parts, oil, and screw plug can be hotter than 175° F (80° C)! Wear personal safety equipment!



**CAUTION**

With hot oil, the oil level can be approximately 3/4 inch higher than with cold oil shortly after discharging.

An important factor for the operating safety of the compressor system is the oil level in the oil reservoir. The oil level check must be performed before initial operation of the compressor and then repeated every 100 operating hours.

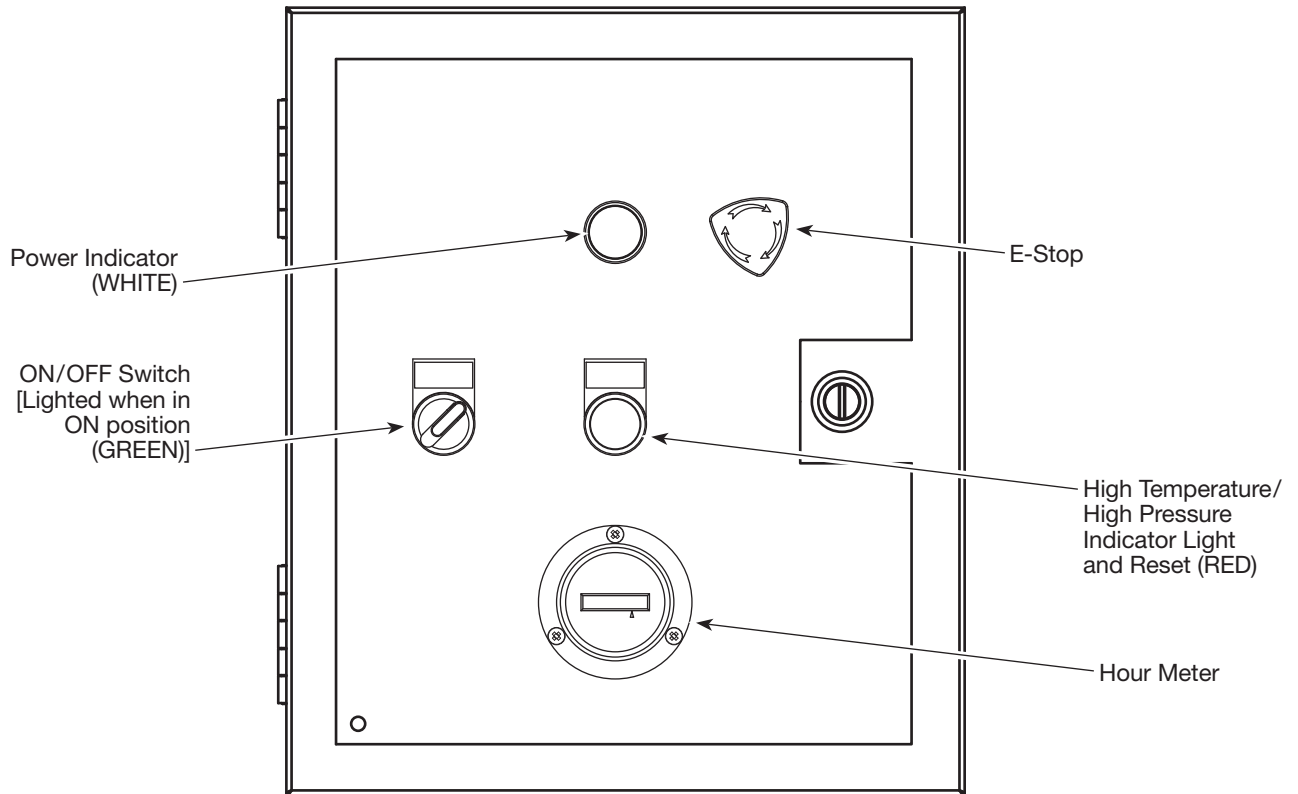


Figure 8 - Control Panel

## Installation (Continued)

### Oil Level Check (See Figure 7)

- Check oil level by removing oil plug.
- With hot oil, the level will be higher than with cold oil.

As a result, oil may escape when the oil plug is opened at the maximum oil level. If this does happen, close the oil plug immediately and carefully clean up the oil that has escaped.

**NOTE:** The oil plug is provided with a safety hole on the side from which oil or air escapes if there is any residual pressure in the air end. Wait for one minute after the unit is at standstill before opening the oil plug.

1. Switch off the system, prevent it from being switched back on without authorization.
2. Wait for one minute at standstill.
3. Unscrew the oil plug on the filler neck by hand with the air end depressurized.
4. Check the oil level.
5. If necessary, top off oil of the same oil type and the same brand up to the maximum level (see Figure 7 and Lubrication section).

**NOTE:** The oil filler neck is positioned so that it is not possible to overfill the system. Excess oil runs out of the filler neck.

6. Screw on the oil plug firmly by hand.
7. Switch on the system.
8. Wipe off and clean up any spilled oil.

### START-UP INFORMATION

**▲ WARNING** **READ AND UNDERSTAND ALL STEPS BELOW BEFORE TURNING ON POWER .**

1. Check oil level (See Figure 7).
2. If it has been longer than 12 weeks since the compressor has been operated the air end **must** be primed with 8 ounces of oil.

**▲ WARNING** **Before resuming operation, the electrical equipment and all safety-relevant units must be checked for leaks and proper function. Loose connections must be refastened and damaged lines must be replaced.**

Screw compressor systems that are switched off, shut down, or stored for longer than 12 weeks cannot be placed into operation again until after the following steps have been carried out:

- a. Manually rotate the compact module screw compressor in the rotation direction several times.
- b. With the compressor system stopped, add approximately 8 ounces of oil (same oil type as in the air end) into the rotor chamber (see Figure 9).
- c. Once again, manually rotate the compressor module compressor stage in the rotation direction several times.
- d. Check the oil level in the air end and top off if necessary (see Maintenance section).

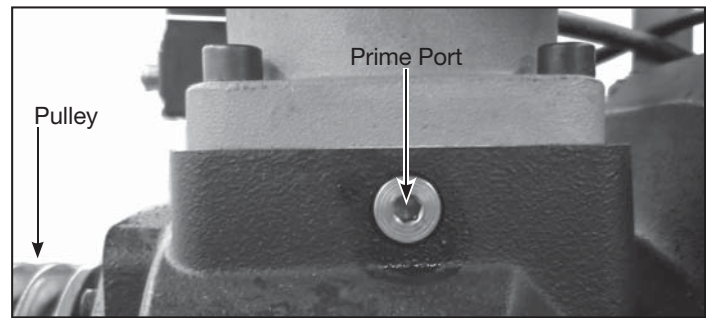


Figure 9 - Air End Priming Location

- e. Monitor operation of the compressor system for at least 15 minutes, but at least until the steadystate temperature is reached (continuous operating temperature).
3. **Direction of rotation must be checked.** Operation of the air end for more than 2 seconds in the wrong direction will destroy the screw compressor.
4. Check direction of rotation by quickly bumping the power to ON and having someone else watch the motor pulley to see which way it turns. Belt guard should remain installed. Also check the direction of rotation of the oil cooler fan. The fan must suck air in from the wire guard side and push air out through the radiator when turning the correct direction. This can be checked by holding a small strip of paper in front of the radiator. With the correct direction of rotation the paper will blow out away from the radiator.
5. Reset E-Stop switch if needed (see Figure 8).
6. Turn on the incoming power at the disconnect switch/circuit breaker. The White incoming power indicator lamp will illuminate. The motor will not turn on with this step.
7. Turn the on/off switch to the On position. The green lamp will illuminate indication the compressor is ready to run. The RED High temperature/High Pressure Failure Lamp will illuminate. The motor will not turn on with this step.
8. Keep your hand on the on/off switch ready to turn off immediately after start up to check the rotation direction. Also check the direction of the cooler fan.
9. The motor can now be started by pressing the High temp/ high pressure reset. The red lamp is also a momentary contact switch. The motor will start with this step.
10. Immediately turn off the on/off switch. The motor will stop with this step.
11. If the direction of rotation is incorrect, disconnect, lock out and tag out all incoming power. Change the position of two of the incoming power lines and repeat steps 5-10.
12. When the direction of rotation has been confirmed the compressor is ready to run for an initial start up operation check.

## Operation

### INITIAL OPERATION CHECK

**IMPORTANT:** Check motor rotation before operating the compressor.

After confirming the correct direction of rotation for the main motor and cooler fan, the compressor is ready to run for an operation check.

With a valve installed at the outlet of the tank, close the valve and isolate the tank from any pipeline system so only the compressor tank will fill up with compressed air.

1. Turning the compressor on. Confirm position of E-stop. White incoming power lamp (Power Indicator) should be on.
2. Turn the ON/OFF switch to the ON position. The green light of the switch should be on. The compressor will start. If the red high temperature/high pressure light is on, press it to reset and the compressor will start.
3. Allow the compressor to run for approximately 5 minutes. The pressure in the tank will rise as the compressor runs.

The following will take place:

- a. When first turned on the air end will build up internal pressure prior to sending air into the tank. This may take 15-20 seconds. You may notice a slight change in the sound when the minimum pressure valve opens inside the air end allowing air to flow into the tank.
- b. Air pressure in the tank will rise until the pre-set maximum pressure is reached. Upon reaching the maximum pressure the compressor will switch to the Unloaded Mode. The noise level will change to be quieter. Air is no longer being pumped into the tank. The air intake valve is now closed inside the air filter housing. High pressure air from inside of the compressor housing is vented slowly (Lasts about 1 minute) out through the air filter housing allowing the compressor to run at idle. You may hear the high pressure air being vented for about 1 minute. You may see a small amount of oil smoke coming from the inlet. This is normal as a small amount of oil may be released with the high pressure air.

**▲ WARNING** *Do not remove air filter housing or perform any maintenance with pressure in the air end or air pressure tank.*

- c. While the compressor is running look and listen for any leaks with which may have developed during shipping and handling.

**▲ WARNING** *RISK OF BURNS! Surfaces and parts will become hot.*



4. Allow compressor to run for approximately 5 minutes. Turn off using the ON/OFF switch. Allow compressor to sit for at least 1 minute while the high pressure air is released through the compressor inlet. You will hear the air escaping.

**▲ WARNING** *Disconnect, tag and lock out power source then release all pressure from the system before attempting to install, service, relocate or perform any maintenance.*



5. Release all air pressure from the tank prior to performing any maintenance or restarting the compressor for the next run sequence in item #8.
6. Allow the compressor to cool, and then check the oil level. Add oil if needed.
7. Seal any air or oil leaks if needed.
8. Restart air compressor. Check position of E-Stop. Turn on main power. Turn ON/OFF switch to ON. Reset high temperature/high pressure switch and the compressor will start.
9. With valve at the tank outlet closed the air pressure will build in the tank to the cut-out pressure. Air pressure in the tank will rise until the pre-set maximum pressure is reached. Upon reaching the maximum pressure the compressor will switch to the Unloaded Mode. The noise level will be quieter. Air is no longer being pumped into the tank. The air intake valve is closed inside the air filter housing. High pressure air from inside of the compressor housing is vented slowly out through the air filter housing allowing the compressor to run at idle. You may hear the high pressure air being vented for about 1 minute.
10. Inside the electrical box, the idle delay timer begins tracking time. After approximately 15 minutes of operation at idle the compressor will turn off.
11. Release pressure from the tank down to the cut-in pressure and the compressor will automatically restart. Pressure will build in the tank until it reaches the cut-out pressure and go into unloaded mode again. Wait approximately 1 minute and then release some air from the air tank.

When the pressure in the tank drops to the cut-in pressure the air inlet valve will open allowing the air to be compressed and re-fill the tank. The idle delay timer will reset for the next cycle.

This sequence of operation will continue until the ON/OFF switch is turned to the off position.

Your compressor is now ready for use.

**NOTE:** All lubricated compressor pumps discharge some condensed water and oil with the compressed air. Install appropriate water/oil removal equipment and controls as necessary for the intended application.

## Operation (Continued)

### NOTICE

*Failure to install appropriate water / oil removal equipment may result in damage to machinery or workpiece.*

### AMBIENT OPERATING TEMPERATURE

The compressor is designed to operate in an ambient temperature between 40° F and 100° F. At ambient temperatures below 40° F, the unit must be heated up to at least 70° F before start-up.

### GUARDING

#### ▲ WARNING

*The belt guard provided must be installed on the unit.*



#### ▲ WARNING

*Never operate compressor without a beltguard. This unit can start automatically without warning. Personal injury or property damage could occur from contact with moving parts.*

All moving parts must be guarded. All electrical covers must be installed before turning on the power.

### DRAINING TANK

Condensate must be drained from the tank daily.

## Maintenance

See Maintenance Schedule on Page 17.

#### ▲ WARNING

*Disconnect, tag and lock out power source then release all pressure from the system before attempting to install, service, relocate or perform any maintenance.*



In order to maintain efficient operation of the compressor system, check the oil level before each use. The ASME safety valve should also be checked daily (see Figure 10). Pull ring on safety valve. Once pressure has been relieved, safety valve will close. This valve automatically releases air if the tank pressure exceeds the preset maximum. If air leaks after the ring has been released, or the valve is stuck and cannot be actuated by the ring, the ASME safety valve must be replaced.

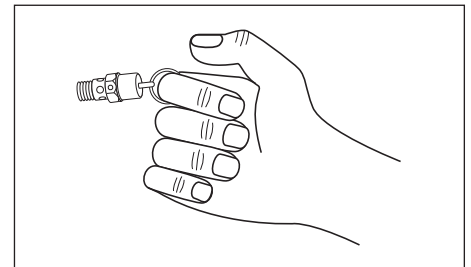


Figure 10 - ASME Safety Valve

#### ▲ WARNING

*Do not tamper with the ASME safety valve.*

### TANK

#### ▲ WARNING

*Never attempt to repair or modify a tank! Welding, drilling or any other modification will weaken the tank resulting in damage from rupture or explosion. Always replace worn, cracked or damaged tanks.*



### NOTICE

*Drain liquid from tank daily.*

The tank should be carefully inspected at a minimum of once a year. Look for cracks forming near the welds. If a crack is detected, remove pressure from tank immediately and replace.

## Maintenance (Continued)

### OIL CHANGE

**▲ WARNING** *RISK OF INJURY! The unit consists of rotating and pressurized components. Do not attempt to change oil until the unit has completely stopped and been fully depressurized.*

**▲ WARNING** *Disconnect, tag and lock out power source then release all pressure from the system before attempting to install, service, relocate or perform any maintenance.*



**▲ WARNING** *RISK OF BURNS! The unit parts, oil, and screw plug can be hotter than 175° F (80° C)! Wear personal safety equipment!*



1. Switch off the system, prevent it from being switched back on without authorization, and bring it into a horizontal position.
2. Depressurize the tank and system completely.
3. Unscrew the oil plug of the filler neck by hand.
4. Carefully unscrew the oil drain cap and catch the used oil in a suitable container.

**▲ CAUTION** *Dispose of the used oil, oil-contaminated container, and cloths in accordance with local regulations.*

5. Clean the oil drain screw to remove any remaining oil. Tighten drain cap to original closed position.

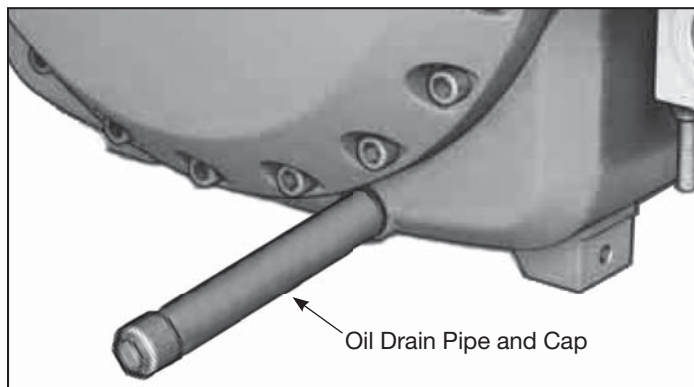


Figure 11 - Oil Drain

### OIL FILTER

**▲ WARNING** *RISK OF INJURY! The unit consists of rotating and pressurized components. Do not attempt to change oil until the unit has completely stopped and been fully depressurized.*

**▲ WARNING** *RISK OF BURNS! The unit parts, oil, and screw plug can be hotter than 175° F (80° C)! Wear personal safety equipment!*



**NOTE:** Replace the oil filter with every oil change.

1. Switch off the screw compressor system and prevent it from being switched back on without authorization.
2. Depressurize the system completely.

3. Remove the oil filter cartridge with a suitable tool, e.g. oil filter strap wrench.

**▲ CAUTION** *Dispose of the old oil filter cartridge in accordance with the applicable regulations.*

4. Oil the seal on the new oil filter cartridge with oil of the same oil type as in the air end.
5. The new oil filter cartridge must be held vertically and filled with oil of the same oil type as in the compressor module before being screwed on.
6. Screw the new oil filter cartridge onto the multiblock and tighten by hand. No tool is required.
7. Switch on the system.
8. The oil filter must then be checked for leaks with the system running.
9. Check the oil level as explained earlier and top up the missing oil quantity again to the maximum level.

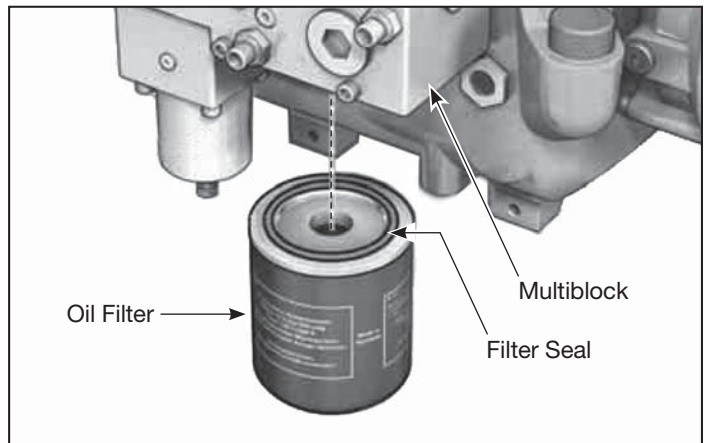


Figure 12 - Oil Filter

### AIR-OIL SEPARATING ELEMENT

**▲ WARNING** *RISK OF INJURY! The unit consists of rotating and pressurized components. Do not attempt to change oil until the unit has completely stopped and been fully depressurized.*

**▲ WARNING** *RISK OF BURNS! The unit parts, oil, and screw plug can be hotter than 175° F (80° C)! Wear personal safety equipment!*



**▲ CAUTION** *Heavily soiled intake air or low-quality oil cause heavier soiling of the cartridge, which can result in the premature need for replacement.*

1. Switch off the screw compressor system and prevent it from being switched back on without authorization.
2. Unscrew the air-oil separating element with a suitable tool, e.g. oil filter strap wrench.

## Maintenance (Continued)

### **CAUTION**

*Dispose of the used oil, oil-contaminated container, and cloths in accordance with local regulations.*

- Oil the seal on the new air-oil separating element with oil of the same oil type as in the compact module screw compressor.
- Tighten the new air-oil separating element by hand. No tool is required.
- Switch on the compressor system.
- The air-oil separating element must be checked for leaks with the system running.

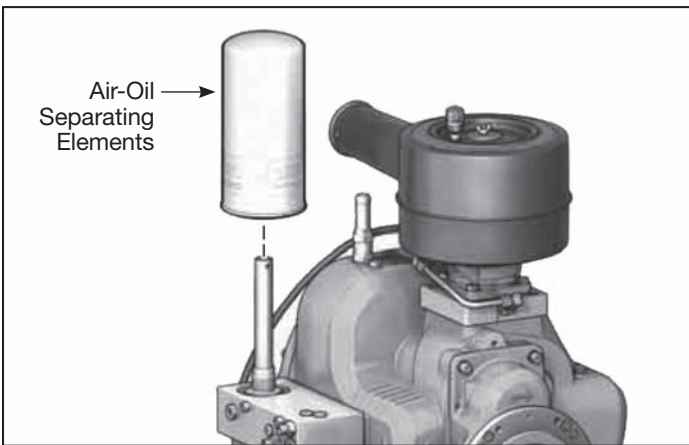


Figure 13 - Air-Oil Separating Element

### FILLING WITH OIL

### **CAUTION**

*Make sure to use recommended oil. Add oil of the same oil type from the same manufacturer. Switching over to another oil type can require flushing of the screw compressor.*

**NOTE:** Replace the oil filter with every oil change.

- Switch off the system, prevent it from being switched back on without authorization.
- Through the filler neck on the separating tank, add oil up to the maximum level and reinsert the screw plug, turning firmly onto the filler neck by hand.
- Switch on the screw compressor and allow it to run for approximately three minutes.
- Switch off the system, prevent it from being switched back on without authorization.
- Top off the oil to the maximum level.
- Switch on the screw compressor and return to normal use.

### AIR INTAKE FILTER

### **WARNING**

*Do not remove air filter housing or perform any maintenance with pressure in the air end or air pressure tank.*

Never run the compressor pump without an intake air filter or with a clogged intake air filter. The air filter element should be checked monthly (see Figure 14). Operating compressor with a dirty filter can cause high oil consumption and increase oil contamination in the discharge air. If the air filter is dirty it must be replaced.

In case of heavily soiled intake air, replace and check more frequently.

### **CAUTION**

*Dirt and dust particles must not be permitted to get into the air inlet of the compressor module. Air intake must be clean and maintained.*

### **CAUTION**

*It is not permissible to clean the filter element; the filter element must always be replaced! Dispose of the old air filter element according to local regulations.*

- Switch off the screw compressor system and prevent it from being switched back on without authorization.
- Screw off the wing nut and remove the filter cover.
- Remove the old filter element.
- Carefully remove dust from the filter housing.
- Insert the new filter element in the filter housing.
- Install the filter cover, ensuring proper positioning during assembly.
- Tighten the wing nut.
- Switch on the system.

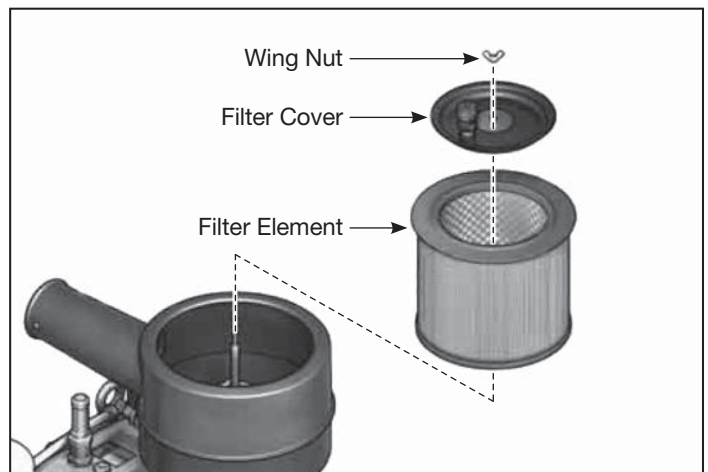


Figure 14 - Air Intake Filter

### OIL COOLER

Weekly, check the oil cooler to be sure all fittings are secure and tight. Clean all dirt, dust and other accumulations.



## Maintenance (Continued)

### COMPONENTS

Turn off all power and clean the air end, motor, fan blades, air lines, oil cooler and tank on a monthly basis.

### BELTS

**▲ WARNING** *Lock out and tag the power then release all pressure from the tank to prevent unexpected movement of the unit.*

Check belt tension every 3 months. Adjust belt tension to allow 3/8 inch deflection with normal thumb pressure. Also, align belts using a straight edge against the face of the pulleys and touching the rim on both sides of the face. The belts should be parallel to this straight edge.

Slots in the bed-plate allow for sliding the motor back and forth to adjust belt tension.

### MAINTENANCE SCHEDULE

The following table provides an overview of the screw compressor maintenance based on operating hours.

Maintenance schedule (operating hours)	Maintenance Work
Before starting	<ol style="list-style-type: none"> <li>1. Check the oil level in the air end.</li> <li>2. Prime air end if it has not been used for longer than 12 weeks.</li> </ol>
Daily	<ol style="list-style-type: none"> <li>1. Check the safety valves.</li> <li>2. Drain tank to remove water.</li> </ol>
At 50 operating hours	<ol style="list-style-type: none"> <li>1. Check the oil level in the air end.</li> <li>2. Tighten all screw pipe fittings and electrical screw terminal fittings; check all other connections for firm seating.</li> </ol>
Every 100 operating hours	<ol style="list-style-type: none"> <li>1. Check oil level in the air end, top off if oil is low.</li> <li>2. Listen for abnormal running noise during operation.</li> </ol> <p><b>▲ WARNING</b> <i>Immediately switch off the unit, locate the problem and have it fixed. An abnormal noise could indicate a potentially hazardous situation.</i></p> <ol style="list-style-type: none"> <li>3. Check all lines, hoses, and screw fittings for leaks and externally visible damage.</li> </ol> <p><b>▲ WARNING</b> <i>RISK OF INJURY! Have leaks and damage repaired immediately! It is not permissible to repair hydraulic hoses.</i></p>
Every month with normal demand	<ol style="list-style-type: none"> <li>1. Check air filter element</li> </ol>
Every 3 months with normal demand	<ol style="list-style-type: none"> <li>1. Check belt tension</li> </ol>
Every 2,000 operating hours or 1 year, whichever comes first	<ol style="list-style-type: none"> <li>1. Change the air-oil separating element.</li> <li>2. Perform an oil change.</li> <li>3. Replace oil filter.</li> <li>4. Replace filter element in intake air filter.</li> <li>5. Check system for leaks.</li> <li>6. Clean the system.</li> <li>7. Check belts (replace as needed).</li> <li>8. Inspect hoses.</li> </ol>
Every 6 years with normal demand	<p>Replace hose lines.</p> <p><b>▲ WARNING</b> <i>It is not permissible to repair hose lines. Hose lines MUST be replaced.</i></p>

## Troubleshooting Guide

SYMPTOM	CAUSE	SOLUTION
Unit fails to start - Motor makes no noise	1. Insufficient power to compressor	1. Source electric to the compressor is either the incorrect voltage, insufficient wire size to carry the load, the fuse box or breaker box is not sufficient to carry the load requirements to the compressor.
	2. Unit wired incorrectly	2. Any wiring other than what is stated in the manual could cause a malfunction (see Wiring Section).
	3. Wrong voltage supplied to unit	3. Make sure voltage is correct with the motor wiring (see Wiring Section).
	4. Loose electrical connections	4. The entire electrical system should be checked by a certified electrician. The incoming wires and the compressor electrical connections should be checked. Loose connections will cause malfunctions.
	5. Wrong size wiring	5. Check that wire size is rated for the current of the compressor. State and local codes vary widely and need to be checked before installation.
	6. Blown fuse and/or tripped breaker	6. The breaker and fuses required for this unit must be time delay. A tripped breaker or blown fuse may result from a direct short to ground, high current draw, improper wiring, incorrect fuse or breaker size and/or type. This needs to be evaluated by a service center or certified electrician.
	7. Starter overload tripped	7. Check and reset if necessary. If the overload trips after the initial reset, refer to the section of the manual that covers this issue.
Unit starts but does not get to full speed	1. Insufficient power to compressor	1. Source electric to the compressor is either the incorrect voltage, insufficient wire size to carry the load, the fuse box or breaker box is not sufficient to carry the load requirements to the compressor.
	2. Loose electrical connections	2. The entire electrical system should be checked by a certified electrician. The incoming wires and the compressor electrical connections should be checked. Loose connections will cause malfunctions.
Unit does not make any or very little air	1. Drain valve open	1. Make sure the drain valve at the bottom of the tank is closed.
	2. Air leak	2. Check the entire system for leaks, including the compressor unit and any piping attached to the compressor
	3. Restricted or blocked intake	3. Make sure that the air intake of the compressor is not blocked in any way.
Unit runs very noisy	1. Damage to the compressor	1. Check to make sure the compressor has not been damaged in the shipping or installation. Make sure the belt guard was not damaged. Belt guard should not be making contact with flywheel or pulley.
	2. Loose fasteners	2. Check all bolts and nuts to assure they did not loosen during shipping.
	3. Loose pulleys or belts	3. Check to assure pulley and flywheel are correctly tightened.
Oil smoke out of inlet on shutdown	Normal operation	A small amount of oil may be released with the high pressure air that vents through the air filter.

**⚠ WARNING**

***Do not remove air filter housing or perform any maintenance with pressure in the air end or air pressure tank.***



---

**REGISTER YOUR PRODUCT ONLINE NOW!**

<http://reg.ch-commercial.com>

---

**Limited Warranty**

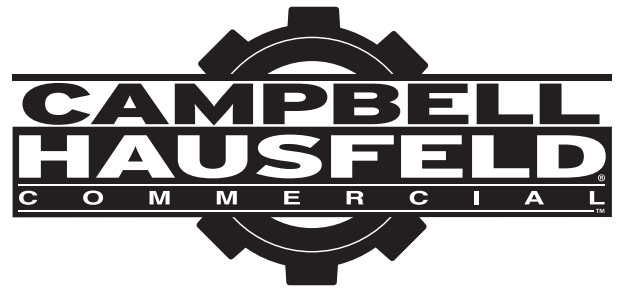
1. **DURATION:** From the date of purchase by the original purchaser as follows: Two years for the compressor air end. One year for the balance of the compressor package.
2. **WHO GIVES THIS WARRANTY (WARRANTOR):** Campbell Hausfeld/Scott Fetzer Company, 100 Production Drive, Harrison, Ohio, 45030, Telephone: (800) 543-6400.
3. **WHO RECEIVES THIS WARRANTY (PURCHASER):** The original purchaser (other than for purposes of resale) of the Campbell Hausfeld air compressor.
4. **WHAT PRODUCTS ARE COVERED BY THIS WARRANTY:** This Campbell Hausfeld rotary screw air compressor.
5. **WHAT IS COVERED UNDER THIS WARRANTY:** Substantial defects in material and/or workmanship with the exceptions noted below.
6. **WHAT IS NOT COVERED UNDER THIS WARRANTY:**
  - A. Implied warranties, including those of merchantability and FITNESS FOR A PARTICULAR PURPOSE ARE LIMITED FROM THE DATE OF ORIGINAL PURCHASE AS STATED IN THE DURATION. Some States do not allow limitations on how long an implied warranty lasts, so the above limitations may not apply to you.
  - B. ANY INCIDENTAL, INDIRECT, OR CONSEQUENTIAL LOSS, DAMAGE, OR EXPENSE THAT MAY RESULT FROM ANY DEFECT, FAILURE, OR MALFUNCTION OF THE CAMPBELL HAUSFELD PRODUCT. Some States do not allow the exclusion or limitations of incidental or consequential damages, so the above limitation or exclusion may not apply to you.
  - C. Any failure that results from an accident, purchaser's abuse, neglect or failure to install and operate the compressor in accordance with the instructions provided in the owner's manual(s) supplied with the compressor
  - D. Pre-delivery service, i.e. assembly, oil or lubricants, and adjustment
  - E. Items or services that are normally required to maintain the product, e.g. lubricants, filters, etc.
  - F. General wear items, e.g. belts, shaft seals, etc.
  - G. Any component damaged in shipment or damage by contact with tools or surroundings.
  - H. Equipment that has been repaired or modified without authorization from Campbell Hausfeld.
7. **RESPONSIBILITIES OF WARRANTOR UNDER THIS WARRANTY:** Repair or replace, at Warrantor's option, compressor or component which is defective, has malfunctioned and/or failed to conform within duration of the warranty period. Warranted repairs will be made at the Purchaser's location.
8. **RESPONSIBILITIES OF PURCHASER UNDER THIS WARRANTY:**
  - A. Provide dated proof of purchase and maintenance records.
  - B. Use reasonable care in the operation and maintenance of the products as described in the owner's manual(s).
  - C. Repairs requiring overtime, weekend rates, or anything beyond the standard manufacturer warranty repair labor reimbursement rate.
  - D. Time required for any security checks, safety training, or similar for service personnel to gain access to facility.
  - E. Location of unit must have adequate clearance for service personnel to perform repairs and easily accessible.
9. **WHEN WARRANTOR WILL PERFORM REPAIR OR REPLACEMENT UNDER THIS WARRANTY:** Repair or replacement will be scheduled and serviced according to the normal work flow at the servicing location, and depending on the availability of replacement parts.

This Limited Warranty applies in the U.S., Canada and Mexico only and gives you specific legal rights. You may also have other rights which vary from State to State or country to country.

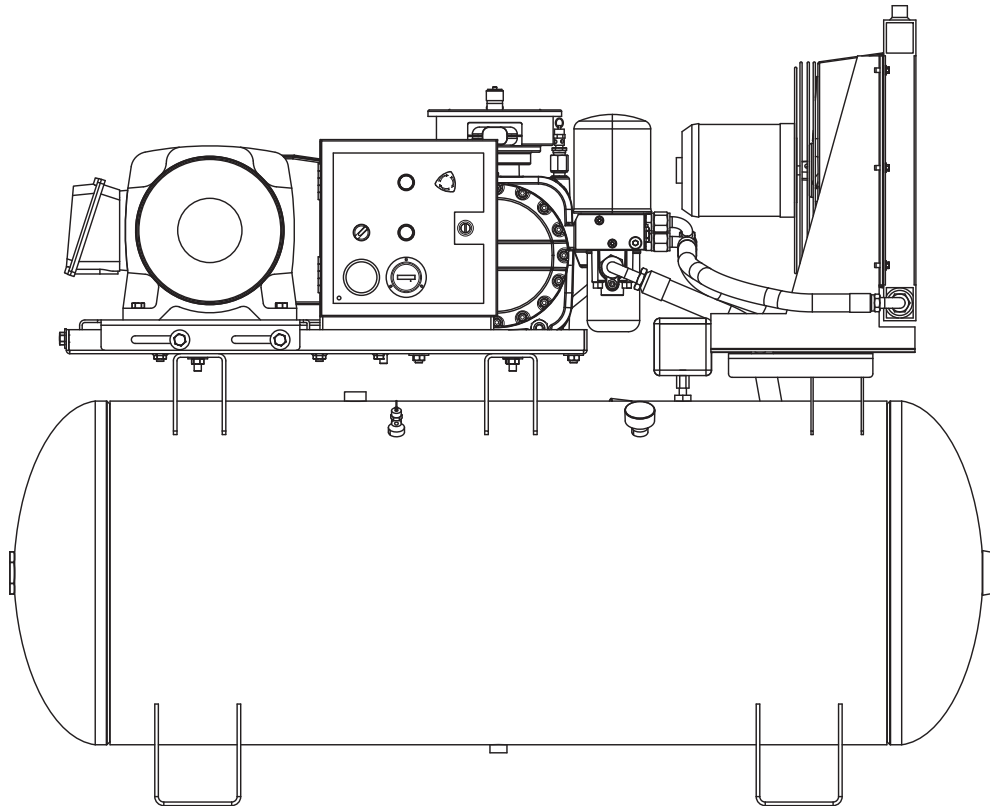
**OPTIONAL EXTENDED WARRANTY:** An extended warranty against defects in workmanship and materials under normal use and service is available as follows:

10. **DURATION:** From the date of purchase by the original purchaser as follows: Three years.
11. **WHAT IS COVERED BY THIS EXTENDED WARRANTY:** Defects in material or workmanship of the following items:
  - A. Airend
  - B. Oil cooler assembly
  - C. Air receiver (tank)
  - D. Parts and labor for the first year and parts only after the first year.
12. **RESPONSIBILITIES OF PURCHASER UNDER THIS EXTENDED WARRANTY:**
  - A. A properly completed Campbell Hausfeld warranty registration form. The registration form is available at <http://reg.ch-commercial.com> and must be submitted within thirty days of start-up to be eligible for the extended warranty.
  - B. Maintenance/Service Parts and Fluids – The CS Series compressor must be maintained and serviced in accordance with the operating manual. Genuine Campbell Hausfeld fluids and parts must be used or the Extended Warranty will be void. Proof of purchase of genuine service parts and fluids must be maintained for the duration of the extended warranty period.
  - C. An oil sample must be submitted with any airend warranty claim.

# Compresseurs d'air rotatif à vis



## Compresseurs d'air rotatif à vis des Séries CS



### Table des Matières

Directives de Sécurité . . . . .	Fr2
Symboles de Sécurité . . . . .	Fr2
Information Importante de Sécurité . .	Fr2
Spécifications . . . . .	Fr2
Apprendre à Connaître votre Compresseur . . . . .	Fr4
Déballage . . . . .	Fr7
Installation . . . . .	Fr7
Diagramme de Câblage . . . . .	Fr9
Fonctionnement . . . . .	Fr13
Entretien . . . . .	Fr14
Guide de Dépannage . . . . .	Fr18
Garantie Limitée . . . . .	Fr20

### Référence Rapide

#### HUILE

Huile de compresseurs d'air rotatif à vis ISO46 à viscosité simple (Numéro de pièce CS0030 - Conteneur à 1 gallon). Disponible de Campbell Hausfeld, veuillez appeler au 1-855-504-5678 pour obtenir le service d'assistance à la clientèle.

#### CAPACITÉ D'HUILE

7,95 litres

### CONSERVER CETTE INFORMATION A TITRE DE REFERENCE

Numéro de Série:

Numéro de Modèle:

Date d'achat:

## Directives De Sécurité

Ce manuel contient de l'information très importante qui est fournie pour la SÉCURITÉ et pour ÉVITER LES PROBLÈMES D'ÉQUIPEMENT. Rechercher les symboles suivants pour cette information.

**⚠ DANGER** Danger indique une situation dangereuse imminente qui MÈNERA à la mort ou à des blessures graves si elle n'est pas évitée.

**⚠ AVERTISSEMENT** Avertissement indique une situation potentiellement dangereuse qui, si elle n'est pas évitée, POURRAIT mener à la mort ou à de graves blessures.

**⚠ ATTENTION** Attention indique une situation potentiellement dangereuse qui, si elle n'est pas évitée, PEUT mener à des blessures mineures ou modérées.

**AVIS** Avis indique de l'information importante qui pourrait endommager l'équipement si elle n'est pas respectée.

**IMPORTANT** : Information qui exige une attention spéciale.

## Symboles De Sécurité

Les symboles de sécurité suivants apparaissent dans l'ensemble de ce manuel pour vous aviser des dangers et précautions importants de sécurité.



Porter une protection oculaire et un masque



Lire le manuel d'abord



Risque d'incendie



Risque de pièces mobiles



Risque de pièces chaudes



Risque d'explosion



Risques de fumées



Risque de pression



Risque de choc

**S'il vous plaît lire et conserver ces instructions. Lire attentivement avant de monter, installer, utiliser ou de procéder à l'entretien du produit décrit. Se protéger ainsi que les autres en observant toutes les instructions de sécurité, sinon, il y a risque de blessure et/ou dégâts matériels! Conserver ces instructions comme référence.**

## Importantes Instructions De Sécurité

Ce manuel contient des informations concernant la sécurité, le fonctionnement et l'entretien. Si vous avez des questions, appeler le 1-888-606-5587 pour le service à la clientèle.

### PROPOSITION 65 DE CALIFORNIE

**⚠ AVERTISSEMENT** Ce produit ou son cordon peuvent contenir des produits chimiques qui, de l'avis de l'État de Californie, causent le cancer et des anomalies congénitales ou autres problèmes de reproduction. Lavez-vous les mains après la manipulation.

**⚠ AVERTISSEMENT** Vous pouvez créer de la poussière en coupant, ponçant, perçant ou meulant les matériaux tels que le bois, la peinture, le métal, le béton, le ciment ou autre maçonnerie. Cette poussière contient souvent des produits chimiques reconnus pour causer le cancer, les déformations congénitales



## ⚠ DANGER

### Avertissement d'Air Respirable

Ce compresseur/pompe n'est pas équipé pour et ne devrait pas être utilisé "comme soi" pour fournir de l'air respirable. Pour les applications d'air pour la consommation humaine, il est nécessaire d'équiper le compresseur d'air/pompe avec de l'équipement de sécurité en canalisation et d'alarme. Cet équipement additionnel est nécessaire pour filtrer et purifier l'air afin d'atteindre les spécifications minimales pour la respiration Grade D décrite dans le Compressed Gas Association Commodity Specification G 7.1, OSHA 29 CFR 1910. 134, and/or Canadian Standards Associations (CSA).

### DÉNÉGATION DES GARANTIES

Si le compresseur est utilisé pour les applications d'air respirable et l'équipement de sécurité en canalisation et d'alarme n'est pas utilisé simultanément, les garanties en existence seront annulées, et Campbell Hausfeld dénie toute responsabilité pour n'importe quelle perte, blessure ou dommage.

## Spécifications

Modèle	HP	Tension	Phase	Alimentation en air à 1034 kPa <sup>2</sup>	Taille de réservoir (litres)
CS2152	15	208	3	1302,6 l/min	454,2
CS2153	15	230	3	1302,6 l/min	454,2
CS2154	15	460	3	1302,6 l/min	454,2
CS2202	20	208	3	1925,6 l/min	454,2
CS2203	20	230	3	1925,6 l/min	454,2
CS2204	20	460	3	1925,6 l/min	454,2
CS2252	25	208	3	2463,6 l/min	454,2
CS2253	25	208	3	2463,6 l/min	454,2
CS2254	25	460	3	2463,6 l/min	454,2

## Importantes Instructions De Sécurité (Suite)

### GÉNÉRALITÉS SUR LA SÉCURITÉ

- ◆ Lire attentivement tous les manuels inclus avec ce produit. Se familiariser parfaitement avec les commandes et à l'utilisation adaptée des équipements.
- ◆ Respecter tous les codes électriques et de sécurité locaux ainsi que les codes électriques nationaux des États-Unis et l'Occupational Safety and Health Act (la loi sur le travail et sur la sécurité et la santé au travail).
- ◆ Seules les personnes qui connaissent bien ces règles d'opération sûre devraient être autorisées à utiliser le compresseur.
- ◆ Gardez les visiteurs loin et ne JAMAIS laisser des enfants près de la zone de travail.
- ◆ Portez des lunettes de protection et utilisez des protections auditives lorsque vous faites fonctionner l'appareil.
- ◆ Ne pas monter sur l'appareil ou utiliser l'appareil comme une poignée de support.
- ◆ Les dispositifs de protection installés sur ce compresseur sont fournis pour offrir une sécurité de fonctionnement. À tout moment, l'opérateur est le seul responsable pour la sécurité personnelle. Ces appareils doivent être modifiés que par un agent de service autorisé.
- ◆ Avant chaque utilisation, inspecter le système d'air comprimé et les composants électriques pour des signes de dommages, de détérioration, de faiblesse ou pour des fuites. Réparer ou remplacer les pièces défectueuses avant toute utilisation.
- ◆ Vérifier toutes les fixations à des intervalles réguliers pour vérifier le serrage.



**⚠ AVERTISSEMENT** Les moteurs, les équipements et contrôles électriques peuvent provoquer des arcs électriques qui peuvent allumer un gaz ou une vapeur inflammable. Ne jamais faire fonctionner ou réparer à proximité d'un gaz ou d'une vapeur inflammable. Ne jamais stocker des liquides ou des gaz inflammables à proximité du compresseur.



**⚠ AVERTISSEMENT** Ne jamais utiliser le compresseur sans un protège-courroie. Cet appareil peut démarrer automatiquement sans avertissement. Des blessures ou des dommages à la propriété peuvent survenir en entrant en contact avec les pièces mobiles.



- ◆ Ne pas porter de vêtements lâches ou de bijoux qui peuvent se coincer dans les pièces mobiles de l'appareil.

**⚠ ATTENTION** Les pièces du compresseur peuvent être chaudes même si l'appareil est arrêté.



- ◆ Garder les doigts loin du compresseur en cours de fonctionnement; les pièces mobiles et chaudes peuvent causer des blessures et/ou des brûlures.
- ◆ Si l'appareil commence à vibrer de manière anormale, ARRÊTER le moteur et vérifier immédiatement la cause. La vibration est généralement une indication de problèmes.
- ◆ Afin de réduire les risques d'incendie, garder l'extérieur du moteur exempt d'huile, de solvant ou de graisse excessive.

**⚠ AVERTISSEMENT** Une soupape de sûreté-décharge conforme à ASME qui ne dépasse pas la Pression de travail (PSMA) maximale autorisée du réservoir DOIT être

installée dans les conduites d'air ou dans le réservoir pour ce compresseur. La soupape de sûreté conforme à ASME doit avoir un débit et une pression suffisants pour protéger les composants sous pression d'éclater. Le débit nominal peut être trouvé dans le manuel des pièces. La soupape de sûreté dans le refroidisseur intermédiaire ne fournit pas une protection au système.

**⚠ AVERTISSEMENT** La pression maximale de fonctionnement est de 1034 kPa. Ne pas utiliser avec manostat ou soupapes pilotées réglés plus haut que le réglage en usine.



- ◆ Ne jamais essayer de régler la soupape de sûreté ASME. Garder la soupape de sûreté exempt de peinture et d'autres accumulations.

**⚠ AVERTISSEMENT** Ne jamais tenter de réparer ou de modifier un réservoir ! Le soudage, perçage ou toute autre modification affaiblira le réservoir et entraînera le dommage en raison de rupture ou d'explosion. Toujours remplacer les pièces usées, fendues ou endommagées.

**AVIS** Purger le liquide du réservoir quotidiennement.

- ◆ Les réservoirs se rouillent en raison de l'accumulation d'humidité, ce qui affaiblit le réservoir. Veiller à purger le réservoir régulièrement et inspecter périodiquement en cas de conditions dangereuses telles que la formation de rouille et la corrosion.
- ◆ L'air en mouvement rapide soulèvera la poussière et les débris qui pourraient être nuisibles. Relâcher lentement l'air lors de la vidange d'humidité ou lors de la dépressurisation du système de compresseur.

### PRÉCAUTIONS DE PULVÉRISATION

**⚠ AVERTISSEMENT** Ne pas vaporiser des matériaux inflammables à proximité d'une flamme ouverte ou à proximité de source d'ignition y compris l'appareil compresseur.



- ◆ Ne pas fumer pendant la pulvérisation de peinture, d'insecticides, ou d'autres substances inflammables.
- ◆ Utiliser un masque/respirateur pendant la pulvérisation et pulvériser dans un endroit bien ventilé pour éviter les risques à la santé et à l'incendie.
- ◆ Ne pas diriger la peinture ou autre matériau pulvérisé vers le compresseur. Installer le compresseur aussi loin de la zone de pulvérisation que possible pour minimiser les éclaboussures d'accumulation sur le compresseur.
- ◆ Lors de la pulvérisation ou du nettoyage avec des solvants toxiques, suivre les instructions fournies par le fabricant du produit chimique.



### CONSERVER CES INSTRUCTIONS NE LES JETEZ PAS

Les symboles **DANGER, AVERTISSEMENT, ATTENTION ET AVIS** ainsi que les instructions de ce manuel ne peuvent pas couvrir toutes les conditions et situations qui pourraient se produire. L'opérateur doit comprendre que les précautions sont des facteurs qui ne peuvent pas être inclus dans ce produit, mais doivent être fournis par l'opérateur.

## Apprendre à Connaître votre Compresseur

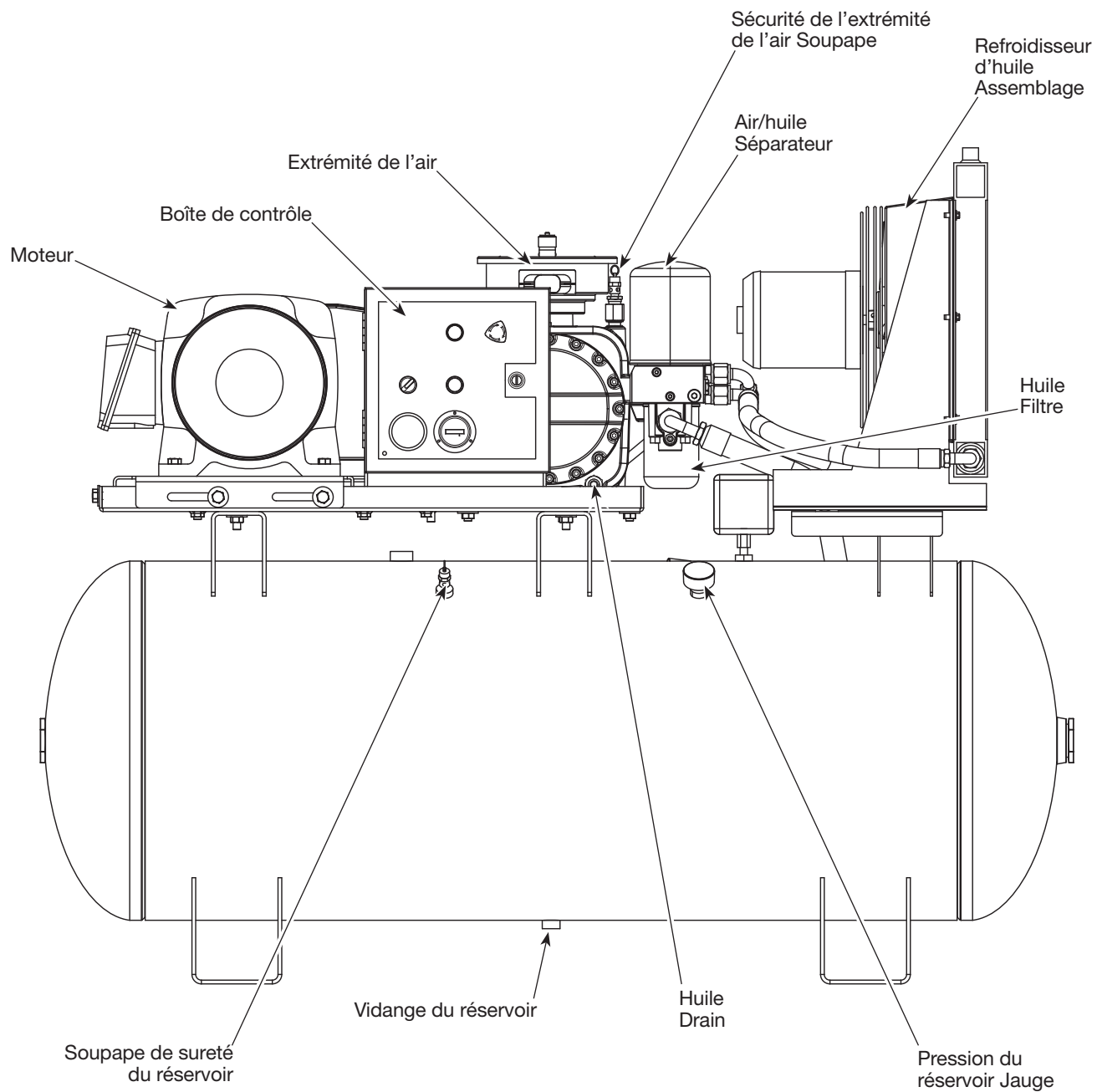


Figure 1 - Composants du compresseur



**Apprendre à Connaître votre Compresseur**

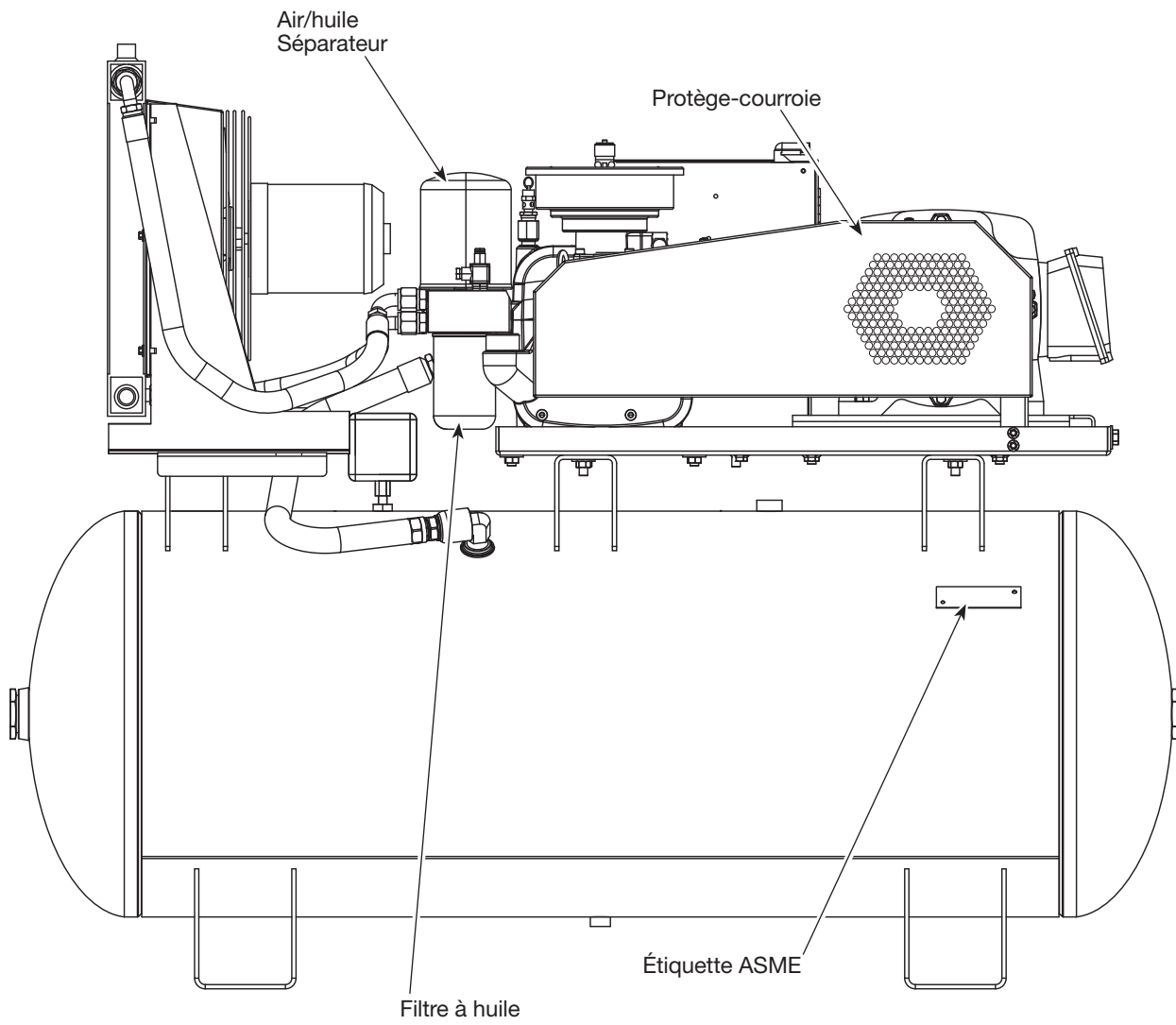


Figure 2 - Composants du compresseur

## Apprendre à Connaître votre Compresseur

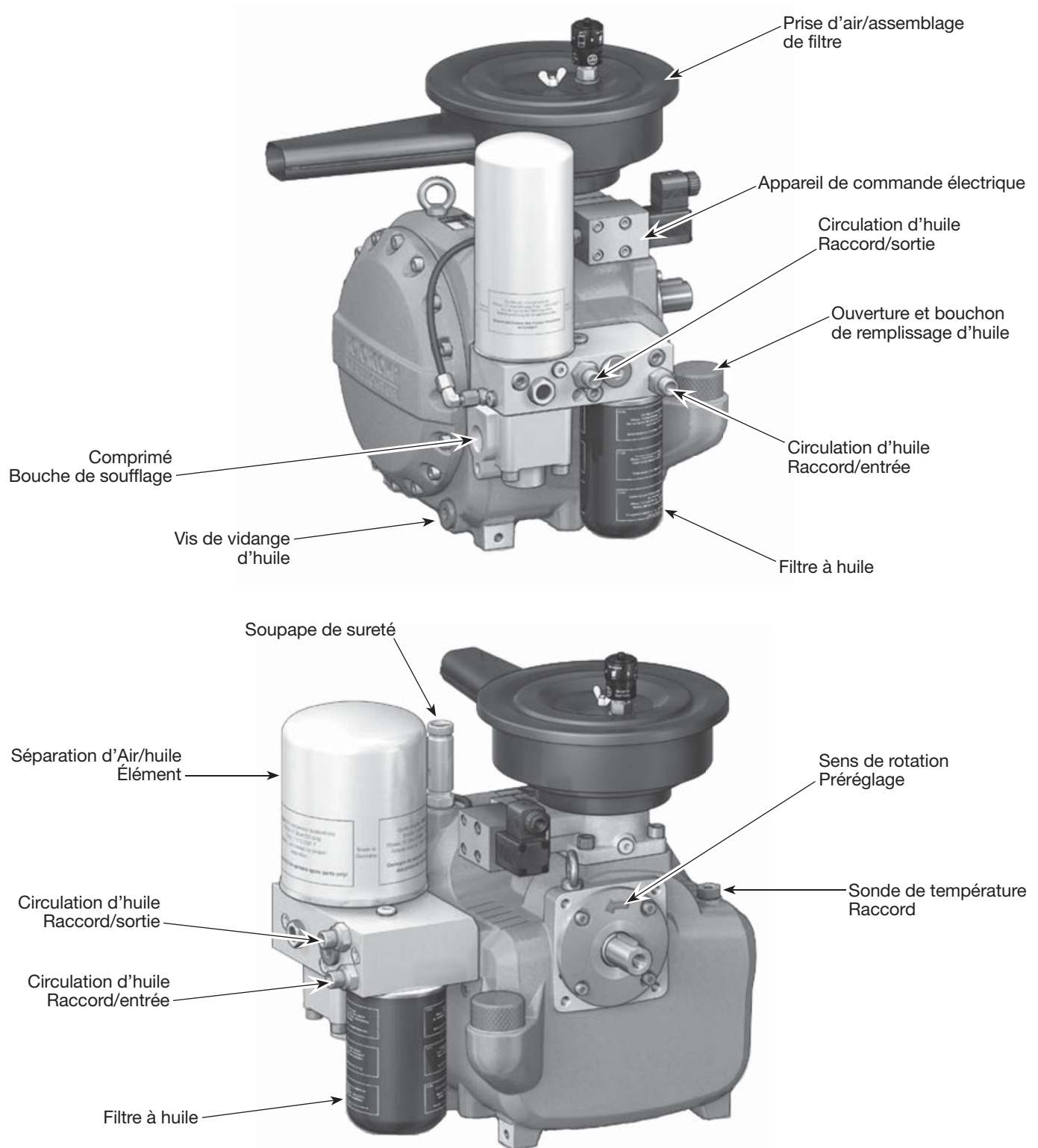


Figure 3 - Composants de l'extrémité air

## Déballage

**⚠ ATTENTION** *Ne pas soulever ou déplacer l'appareil sans équipement de puissance nominale appropriée. Veiller à ce que l'appareil soit solidement fixé au dispositif de levage utilisé. Ne pas soulever l'appareil en le tenant par les tubes ou par les refroidisseurs. Ne pas utiliser l'appareil pour soulever d'autres équipements fixés.*

Après avoir déballé l'appareil, vérifier attentivement pour tout dommage qui aurait pu survenir pendant le transport. Vérifier s'il y a des pièces desserrées, manquantes ou endommagées. Veiller à ce que tous les accessoires soient inclus avec l'appareil. En cas de questions, de pièces endommagées ou manquantes, veuillez appeler au 1-855-504-5678 pour obtenir le service d'assistance à la clientèle.

**⚠ AVERTISSEMENT** *Ne pas utiliser l'appareil s'il est endommagé pendant le transport, la manutention ou l'utilisation. Des dommages peuvent entraîner un éclatement et provoquer des blessures ou des dommages à la propriété.*

## Installation

**⚠ AVERTISSEMENT** *Enlever l'étiquette et verrouiller la source d'alimentation puis relâcher la pression du système avant d'essayer d'installer, réparer, déplacer ou procéder à quelconque entretien.*



**⚠ ATTENTION** *Ne pas soulever ou déplacer l'appareil sans équipement de puissance nominale appropriée. Assurer-vous que l'appareil soit solidement fixé au dispositif de levage utilisé. Ne pas soulever l'appareil en le tenant par les tubes ou par les refroidisseurs. Ne pas utiliser l'appareil pour soulever d'autres équipements fixés.*

**⚠ ATTENTION** *Ne jamais utiliser les patins en bois d'expédition pour le montage du compresseur.*

### CHOIX DE L'EMPLACEMENT

Installer et faire fonctionner l'appareil à au moins 91,44 cm (36 po) de tout obstacle dans un endroit propre et bien ventilé. La température ambiante ne doit pas dépasser 37,8 °C (100 °F) ou être inférieure à 4,4 °C (40 °F). Cela permettra d'assurer un libre flux d'air pour refroidir le compresseur et laisser un espace suffisant pour l'entretien.

**⚠ ATTENTION** *Ne placer pas l'entrée d'air du compresseur près de la vapeur, la pulvérisation de peinture, d'une zone de jet de sable ou de toute autre source de contamination.*

**REMARQUE :** Si le compresseur fonctionne dans un environnement chaud et humide, fournir la pompe du compresseur avec de l'air propre et sec de l'extérieur. L'air d'alimentation devrait être canalisé à partir de sources externes.

### MONTAGE DU RÉSERVOIR

Le réservoir doit être boulonné sur un plancher plat en béton ou sur une fondation en béton séparée.

Si vous utilisez des bases isolateurs, **ne tirez pas les boulons serrés**. Permettre aux bases d'absorber les vibrations. Lorsque des isolateurs sont utilisés, un tuyau flexible ou un accouplement doit être installé entre le réservoir et la tuyauterie de service.

**⚠ AVERTISSEMENT** *Une mauvaise installation du réservoir peut conduire à des fissures au niveau des joints soudés et possiblement à des ruptures.*

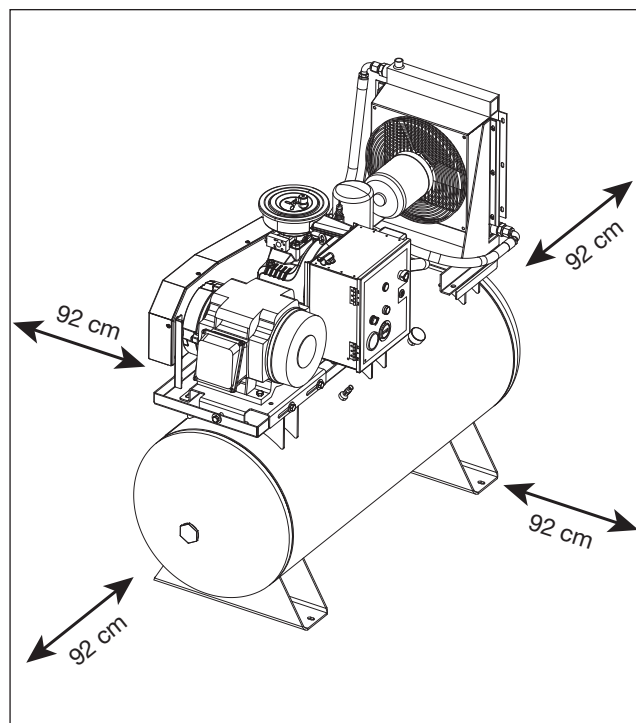


Figure 4 – Emplacement

## Installation (Suite)

### TUYAUTERIE

**⚠ AVERTISSEMENT** *Ne jamais utiliser de la tuyauterie en plastique (PVC) pour l'air comprimé. Des blessures graves ou la mort pourraient en résulter.*

Tout tube, tuyau ou tuyau flexible raccordé à l'appareil doit être en mesure de résister à la température générée et retenir la pression. Tous les composants sous pression du système d'air doivent avoir une pression nominale de 200 lb/po<sup>2</sup> ou plus. Une sélection et installation incorrectes de tout tube, tuyau ou tuyau flexible peuvent provoquer l'éclatement et des blessures. Connecter la tuyauterie du système avec le raccord du réservoir de même taille que l'orifice de décharge.

### INSTALLATION D'UNE SOUPE D'ARRÊT

Une soupape d'arrêt doit être installée sur l'orifice d'évacuation du réservoir pour contrôler le flux d'air qui sort du réservoir. La soupape doit être située entre le réservoir et le système de tuyauterie.

**⚠ AVERTISSEMENT** *Ne jamais installer une soupape d'arrêt entre la pompe du compresseur et le réservoir. Des blessures personnelles et/ou des dommages à l'équipement peuvent se produire. Ne jamais utiliser de réducteurs dans la tuyauterie de décharge.*

Lors de la création d'un système installé en permanence pour distribuer l'air comprimé, trouver la longueur totale du système et sélectionner la taille du tuyau sur le graphique. Enterrer les conduites en dessous du seuil de gel et éviter les poches où la condensation pourrait s'accumuler et geler.

Appliquer une pression d'air à l'installation de tuyauterie et veiller à ce que tous les joints soient exempts de fuites AVANT que les conduites souterraines soient couvertes. Avant la première mise en service, du compresseur, trouver et réparer toutes les fuites dans les tuyaux, les raccords et les connexions.

### CÂBLAGE (voir page Fr9 pour obtenir les schémas de câblage)

**⚠ AVERTISSEMENT** *Tous les raccordements électriques doivent être réalisés par un électricien qualifié, familier avec les commandes de moteurs à induction. Les installations doivent être conformes avec les codes locaux et nationaux.*

**⚠ AVERTISSEMENT** *La surchauffe, les courts-circuits et les dommages d'incendie seront dus aux câblages inadéquats.*

Le câblage doit être installé conformément aux National Electrical Code (les Codes électriques nationaux) et les codes et les normes locaux qui ont été mis en place couvrant les appareils électriques et le câblage. Ceux-ci devraient être consultés et les ordonnances locales doivent être respectées. Veiller à utiliser des câbles de tailles appropriées, et que :

1. Le service est adéquat en matière d'ampérage.
2. La conduite d'alimentation présente les mêmes caractéristiques électriques (tension, cycles et phases) comme le moteur. Se référer à la plaque signalétique du moteur pour les puissances nominales et les spécifications électriques.
3. Le fil de conduite est de la bonne taille et aucun autre équipement est exploité à partir de la même conduite. Le tableau donne les tailles de câbles minimales recommandées pour les installations de compresseur.

### TAILLE MINIMUM DU TUYAU POUR LA CONDUITE D'AIR COMPRIMÉ

l/min	Longueur du système de tuyauterie			
	7,62 m	15,24 m	30,48 m	76,2 m
283,2	12,7 mm	12,7 mm	19,1 mm	19,1 mm
566,3	19,1 mm	19,1 mm	19,1 mm	2,54 cm
1132,7	19,1 mm	2,54 cm	2,54 cm	2,54 cm
1699,0	19,1 mm	2,54 cm	2,54 cm	2,54 cm
2831,7	2,54 cm	2,54 cm	2,54 cm	3,18 cm

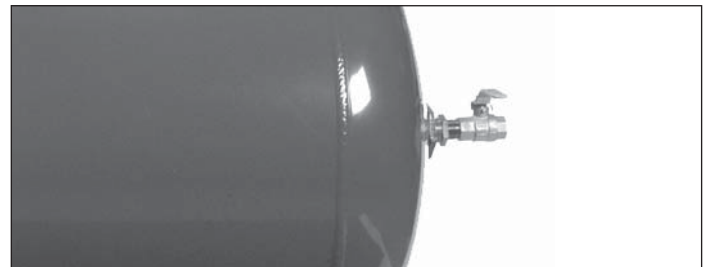


Figure 5 - Soupape d'arrêt

### TAILLE DE FIL MINIMALE (UTILISER UN MINIMUM DE 75 °C DE CÂBLES DE CUIVRE)

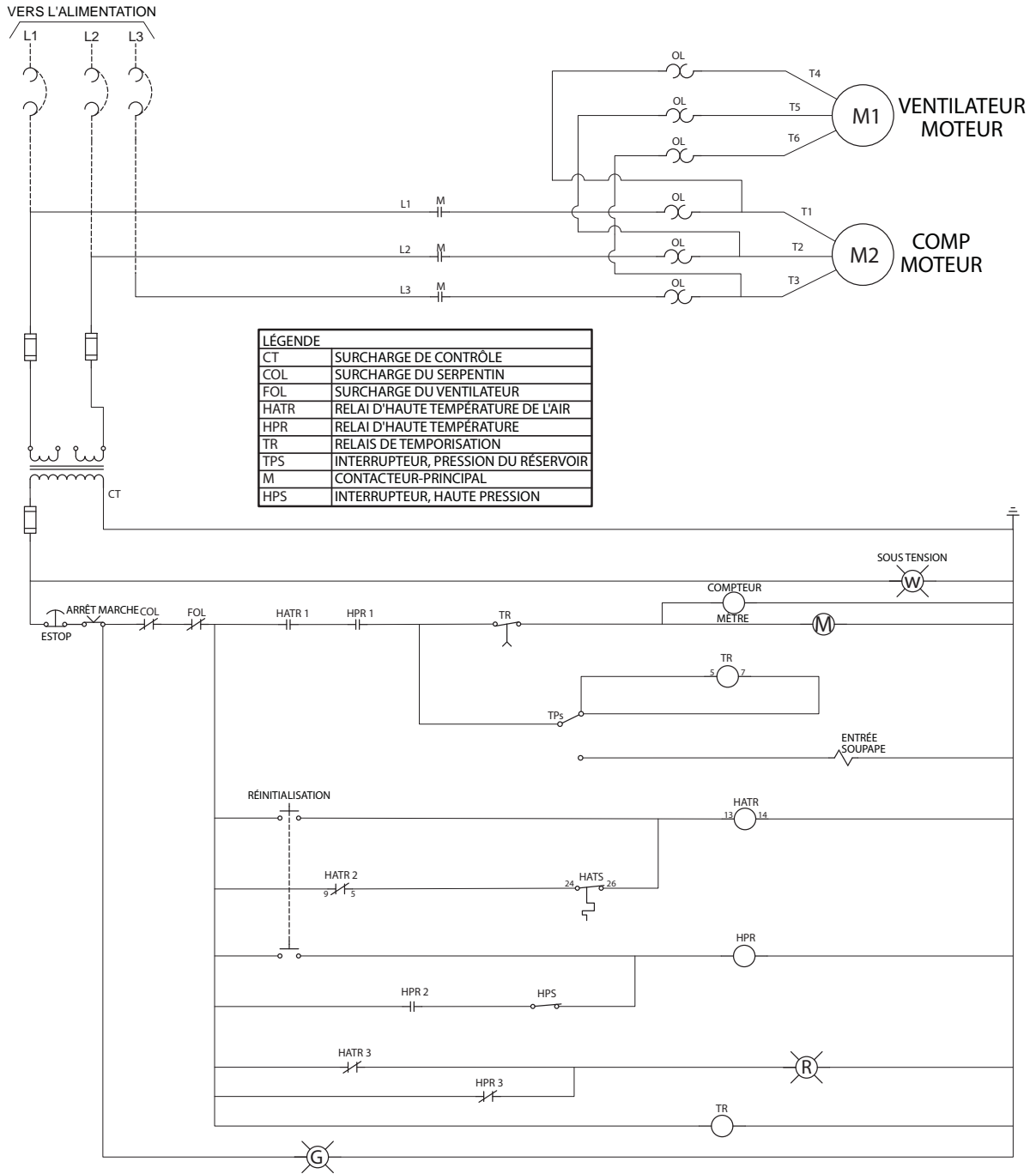
Assurer-vous que la tension soit correcte avec le câblage du moteur.

**REMARQUE :** Si vous utilisez 208 volts monophasés, assurez-vous que la plaque signalétique du moteur indique qu'il est conçu pour 208 volts monophasés. Les moteurs à 230 volts monophasés ne fonctionnent pas sur 208 volts, à moins qu'ils n'aient la tension de 208 volts.

HP	Triphasé	
	208/230V	460/575V
5	12 AWG	14 AWG
7.5	10 AWG	12 AWG
10	8 AWG	12 AWG
15	6 AWG	10 AWG
20	3 AWG	8 AWG
25	3 AWG	8 AWG

**Les tailles de câbles recommandées peuvent être plus grandes que le minimum fixé par les ordonnances locales. Si c'est le cas, le câble de plus grande taille devrait être utilisé pour empêcher une chute excessive de la tension de conduite. Le coût supplémentaire de câble est très faible par rapport au coût de réparation ou de remplacement d'un moteur électrique « affamé » par l'utilisation de câbles d'alimentation qui sont trop petits.**

**Diagramme de Câblage**



LA COUPURE ET LA PROTECTION DU CIRCUIT DE BRANCHEMENT DOIVENT ÊTRE FOURNIES PAR UN INSTALLATEUR QUALIFIÉ. INSTALLER EN CONFORMITÉ AVEC TOUS LES CODES LOCAUX, NATIONAUX ET D'ÉTAT.

LES BORNES DE CÂBLAGE SUR LE TERRAIN DOIVENT UTILISER DES CONDUCTEURS EN CUIVRE D'UN MIN. DE 90 DEG. APPLIQUER UN COUPLE DE SERRAGE DE 25 LBS AUX VIS DE CÂBLAGE DE LA BORNE.

## Installation (Suite)

### MISE À LA TERRE

**⚠ AVERTISSEMENT** *Les composants électriques non mis à la terre correctement sont des risques d'électrocution. Assurer-vous que tous les composants sont correctement mis à la terre pour prévenir des blessures graves, voire mortelles.*



Ce produit **doit être** mis à la terre. La mise à la terre réduit le risque de décharge électrique en fournissant un circuit de fuite au courant électrique si un court-circuit se produit. Ce produit doit être installé et utilisé avec un câble qui a un fil mis à la terre.

### DISJONCTEURS ET FUSIBLES

Le système électrique doit être vérifié par un électricien spécialiste certifié. Des disjoncteurs et des fusibles temporisés sont requis pour ce compresseur. Un disjoncteur déclenché ou un fusible grillé peut indiquer un court circuit à la masse, une consommation de courant élevée, un câblage incorrect, un fusible incorrect ou la taille du disjoncteur incorrecte. Cela doit être évalué par un électricien certifié.

### BRANCHEMENT DU MOTEUR ET L'INSTALLATION DU DÉMARREUR

La protection de dérivation doit être prévue comme indiqué dans le National Electrical Code (le Code électrique national) des États-Unis, chapitre 2, « Câblage conception et protection ». L'article 210, en utilisant l'article applicable « Pour les moteurs et les commandes de moteurs » (article 430, Tableau 430-1 52).

### SENS DE ROTATION

**REMARQUE : LA ROTATION INCORRECTE ENTRAÎNERA UNE PANNE DU COMPRESSEUR.**

Le sens de rotation doit être dans le sens contraire des aiguilles d'une montre (comme le montre la flèche à l'extrémité de l'air dans la figure 6) tout en faisant face au côté volant de la pompe

Le sens de rotation de 3 moteurs triphasés peut être inversé en inversant un des deux fils de la conduite du moteur.

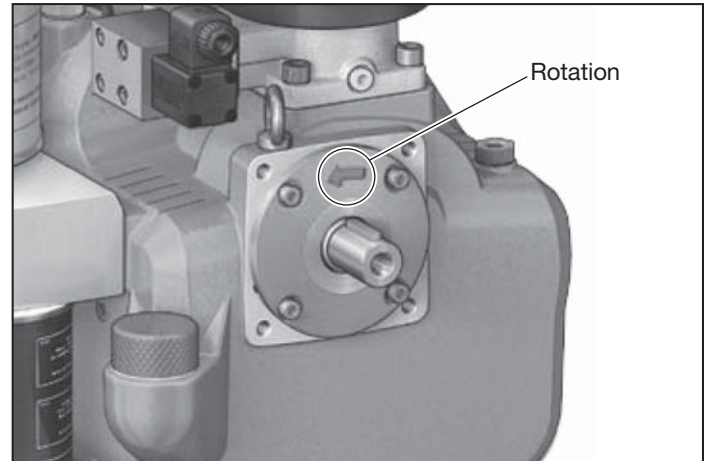


Figure 6 - Sens de rotation

### VÉRIFICATION DU SENS DE ROTATION

**SENS DE ROTATION :** la rotation vers la gauche (sens contraire des aiguilles d'une montre) regardant l'arbre.

**⚠ ATTENTION** *Le sens de rotation du système compresseur à vis doit être vérifié lors de la première mise en marche et chaque fois qu'un changement est fait à la conduite d'alimentation électrique du moteur d'entraînement. Pour cette raison, allumer le moteur d'entraînement brièvement, puis éteindre à nouveau aussitôt. LA ROTATION PENDANT PLUS DE 2 SECONDES DANS LE MAUVAIS SENS DE ROTATION PEUT DÉTRUIRE LE COMPRESSEUR À VIS. Si nécessaire, inverser les raccords du câble de raccord.*

## Installation (Suite)

### LUBRICATION

**⚠ ATTENTION** **CET APPAREIL CONTIENT DE L'HUILE.**  
Avant de faire fonctionner le compresseur, vérifier le niveau d'huile (voir Figure 7).

**⚠ ATTENTION** **L'utilisation de tout autre type d'huile peut réduire la vie de la pompe et causer des dommages.**

#### Huile recommandée

Huile de compresseurs d'air rotatif à vis ISO46 à viscosité simple (Numéro de pièce CS0030 - Conteneur à 1 gallon). Disponible de Campbell Hausfeld, veuillez appeler au 1-855-504-5678 pour obtenir le service d'assistance à la clientèle.

#### Capacité d'huile

7,95 litres

### NIVEAU D'HUILE

**⚠ AVERTISSEMENT** **Enlever l'étiquette et verrouiller la source d'alimentation puis relâcher la pression du système avant d'essayer d'installer, réparer, déplacer ou procéder à quelconque entretien.**



**⚠ AVERTISSEMENT** **RISQUE DE BRULURE ! Les pièces de l'appareil, l'huile et le bouchon à vis peuvent être plus chauds que 80 °C (175 °F) ! Porter un équipement de sécurité personnelle !**

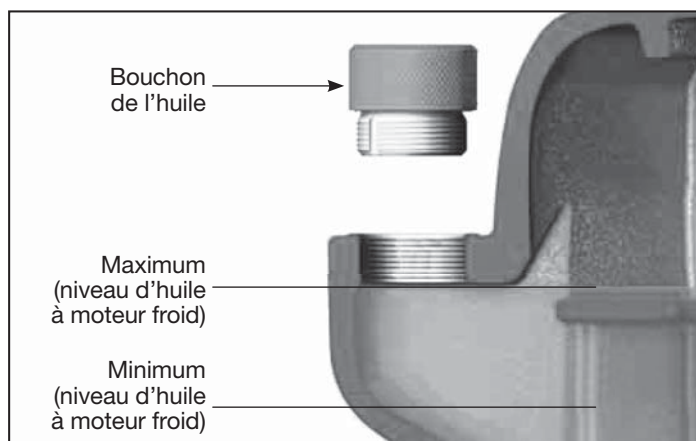


Figure 7 - Niveau d'huile

**⚠ ATTENTION** **Avec de l'huile chaude, le niveau d'huile peut être d'environ 19,05 mm (3/4 pouce) supérieur au niveau d'huile froide peu après la décharge.**

Un facteur important pour la sécurité de fonctionnement du système du compresseur est le niveau d'huile dans le réservoir d'huile. Le contrôle du niveau d'huile doit être effectué avant la mise en service du compresseur et ensuite répété toutes les 100 heures de fonctionnement

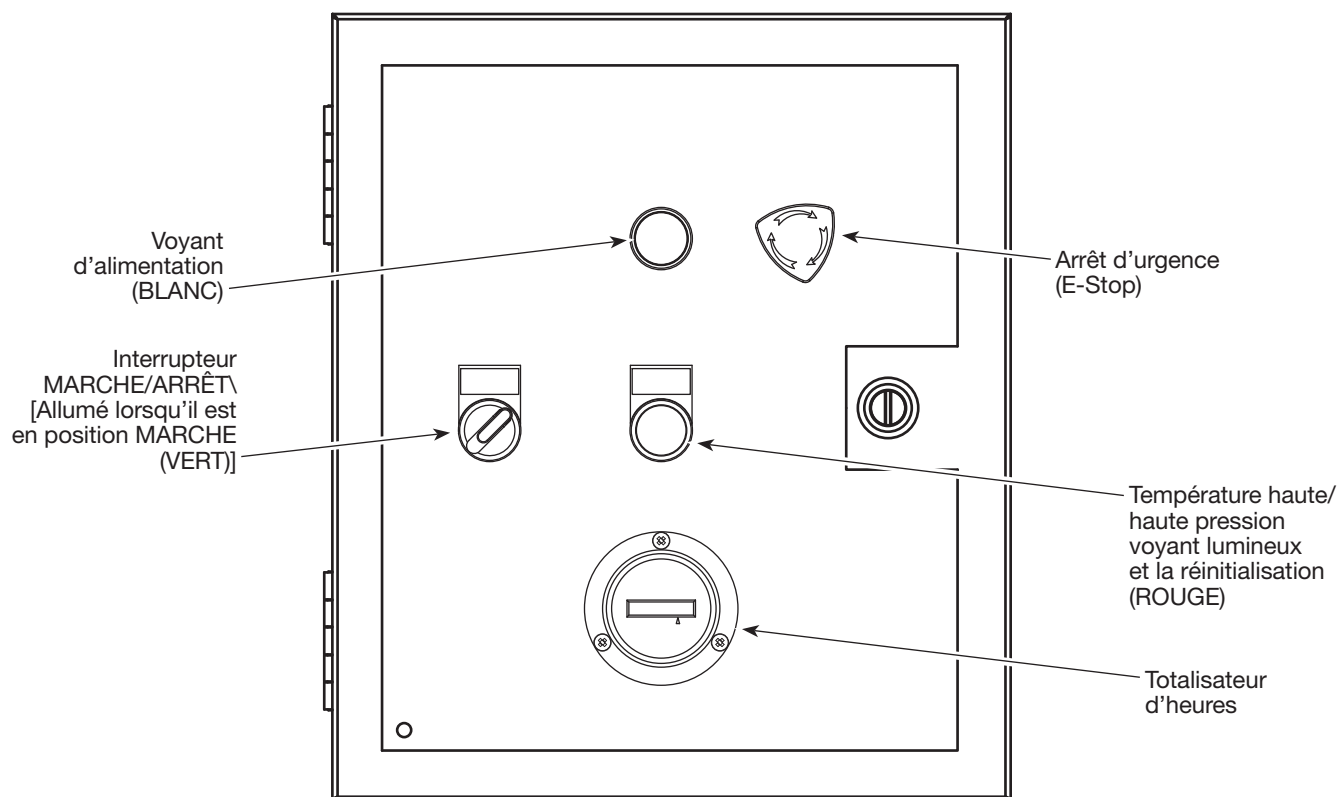


Figure 8 - Panneau de contrôle

## Installation (Suite)

### VÉRIFICATION DU NIVEAU D'HUILE (Voir la Figure 7)

- Vérifier le niveau d'huile en enlevant le bouchon de remplissage.
- Avec de l'huile chaude, le niveau sera plus élevé que l'huile froide.

En conséquence, l'huile peut s'échapper lorsque le bouchon d'huile est ouvert au niveau maximal d'huile. Si cela se produit, fermez le bouchon d'huile immédiatement et nettoyez soigneusement l'huile qui s'est échappée.

**REMARQUE :** Le bouchon d'huile est muni d'un trou de sécurité sur le côté où l'huile ou l'air s'échappe, s'il existe une pression résiduelle dans l'extrémité air. Attendre une minute après que l'appareil soit en période d'arrêt avant d'ouvrir le bouchon d'huile.

1. Arrêter le système, empêcher-le d'être rallumé sans autorisation.
2. Attendre une minute en période d'arrêt.
3. Dévisser le bouchon d'huile sur le col de remplissage à la main avec l'extrémité air dépressurisé.
4. Vérifier le niveau d'huile.
5. Si nécessaire, faire déborder l'huile du même type et de la même marque jusqu'au niveau maximum (voir la figure 7 et la section sur la lubrification).

**REMARQUE :** Le col de remplissage d'huile est placé de sorte qu'il n'est pas possible de faire déborder le système. L'huile en excès s'écoule du col de remplissage.

6. Visser le bouchon d'huile fermement avec la main.
7. Allumer le système.
8. Essuyer et nettoyer tout déversement d'huile.

### INFORMATION SUR LE DÉMARRAGE

**▲ AVERTISSEMENT** *LIRE ET COMPRENDRE TOUTES LES ÉTAPES CI-DESSOUS AVANT DE METTRE*

#### EN MARCHE.

1. Vérifier le niveau d'huile (voir la Figure 7).
2. Si cela fait plus de 12 semaines depuis l'utilisation du compresseur, l'extrémité d'air **doit être** amorcée avec 8 onces d'huile.

**▲ AVERTISSEMENT** *Avant de reprendre le fonctionnement, les équipements électriques et tous les appareils de sécurité doivent être vérifiés pour des fuites et pour le bon fonctionnement. Les raccords desserrés doivent être refermés et les conduites endommagées doivent être remplacées.*

Les systèmes compresseurs à vis qui sont éteints, arrêtés, ou stockés pendant plus de 12 semaines ne peuvent pas être placés en fonctionnement jusqu'à ce que les mesures suivantes aient été réalisées :

- a. Faire tourner manuellement le module compresseur à vis compact dans le sens de rotation à plusieurs reprises.
- b. Avec le système de compresseur arrêté, ajouter environ 8 onces d'huile (type d'huile de même que dans l'extrémité air) dans la chambre rotor (voir figure 9).
- c. Encore une fois, faire tourner manuellement le module compresseur, l'étage du compresseur dans le sens de rotation à plusieurs reprises.

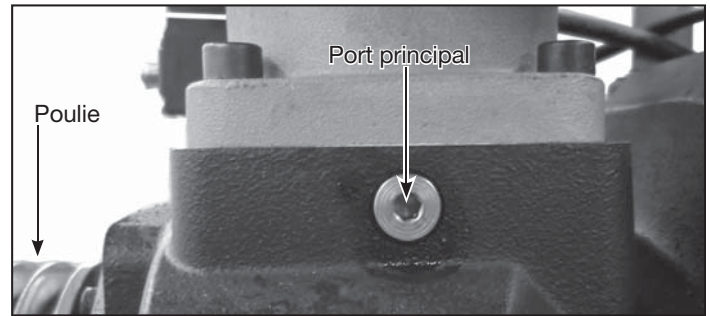


Figure 9 - Emplacement d'amorçage de l'extrémité d'air

- d. Vérifier le niveau d'huile à l'extrémité d'air et terminer si nécessaire (voir la section Entretien).
  - e. Surveiller le fonctionnement du système du compresseur pendant au moins 15 minutes, mais au moins jusqu'à ce que la température du régime établi soit atteinte (température de fonctionnement continu).
3. **Le sens de rotation doit être vérifié.** Le fonctionnement de l'extrémité d'air pendant plus de 2 secondes dans la mauvaise direction détruira le compresseur à vis.
  4. Vérifier le sens de rotation en basculant rapidement l'alimentation en MARCHE et avoir quelqu'un d'autre regarder la poulie du moteur pour voir dans quel sens elle tourne. Le protège-courroie doit rester en place. Vérifier également le sens de rotation du ventilateur du refroidisseur d'huile. Le ventilateur doit aspirer l'air à partir du côté de la grille de protection et pousser l'air dehors à travers le radiateur quand il tourne dans le bon sens. Cela peut être vérifié en tenant un petit morceau de papier en face du radiateur. Avec le sens de rotation correct, le papier soufflera dans le sens opposé du radiateur.
  5. Réinitialiser l'interrupteur E-Stop si nécessaire (voir la figure 8).
  6. Alimenter la puissance d'entrée au sectionneur/disjoncteur. Le voyant d'alimentation Blanc entrant s'allumera. Le moteur ne tournera pas à cette étape.
  7. Tourner l'interrupteur marche/arrêt en position Marche. Le voyant vert s'allumera indiquant que le compresseur est prêt à fonctionner. Le voyant de température/pression haute ROUGE s'allumera. Le moteur ne tournera pas à cette étape.
  8. Garder votre main sur l'interrupteur marche/arrêt prêt à l'éteindre immédiatement après la mise en place pour vérifier le sens de rotation. Vérifier également le sens du ventilateur de refroidissement.
  9. Le moteur peut être démarré en appuyant sur la réinitialisation de haute température/pression. Le voyant rouge est aussi un interrupteur de contact temporaire. Le moteur démarrera avec cette étape.
  10. Couper immédiatement l'interrupteur marche/arrêt. Le moteur arrêtera avec cette étape.
  11. Si le sens de rotation est incorrect, déconnecter, verrouiller et étiqueter toute arrivée d'alimentation. Changer la position de deux lignes électriques d'arrivée et répéter les étapes 5-10.
  12. Lorsque le sens de rotation a été confirmé le compresseur est prêt à fonctionner pour une première vérification de mise en fonctionnement.



## Fonctionnement

### VÉRIFICATION DU FONCTIONNEMENT INITIAL

**IMPORTANT** : Vérifier la rotation du moteur avant d'utiliser le compresseur.

Après avoir vérifié le bon sens de rotation du moteur principal et du ventilateur de refroidissement, le compresseur est prêt à fonctionner pour un contrôle de fonctionnement .

Avec une soupape installée à la sortie du réservoir, fermer la vanne et isoler le réservoir de tout système de conduite de tuyau de sorte que le réservoir du compresseur se remplira avec de l'air comprimé.

1. Mettre le compresseur en marche. Confirmer la position d'E-stop. Le voyant d'alimentation entrant Blanc (voyant d'alimentation) doit être allumé.
2. Tourner l'interrupteur MARCHE/ARRÊT en position Marche. Le voyant vert de l'interrupteur doit être allumé. Le compresseur démarrera. Si le voyant de haute température/pression ROUGE est allumé, appuyer dessus pour le réinitialiser et le compresseur démarrera.
3. Permettre au compresseur de fonctionner pendant environ 5 minutes. La pression dans le réservoir augmentera à mesure que le compresseur tourne.

Ce qui suit aura lieu :

- a. Lors de la première mise en marche, l'extrémité d'air accumulera de la pression interne avant d'envoyer de l'air dans le réservoir. Cela peut prendre de 15 à 20 secondes. Vous remarquerez peut-être un léger changement sonore lorsque la soupape de pression minimale s'ouvre à l'intérieur de l'extrémité air permettant à l'air de circuler dans le réservoir.
- b. La pression d'air dans le réservoir augmente jusqu'à ce que la pression maximale de pré réglage soit atteinte. Après avoir atteint la pression maximale, le compresseur se met en mode sans charge. Le niveau de bruit changera pour être plus tranquille. L'air n'est plus pompé dans le réservoir. La soupape d'admission d'air est fermée à l'intérieur du boîtier du filtre à air. L'air à haute pression à partir de l'intérieur de la boîte du compresseur est évacué lentement (durée d'environ 1 minute) à travers le boîtier du filtre à air permettant au compresseur à fonctionner au ralenti. Vous pouvez entendre l'air à haute pression étant évacué pendant environ 1 minute. Vous pouvez voir une petite quantité de fumée d'huile provenant de l'entrée. Ceci est normal, car une petite quantité d'huile peut être libérée avec l'air à haute pression.

**AVERTISSEMENT** *Ne pas retirer le boîtier du filtre à air ou effectuer un entretien avec de la pression dans l'extrémité d'air ou dans le réservoir à pression d'air.*

- c. Pendant que le compresseur est en marche, regarder et écouter s'il y a des fuites qui auraient pu se développer lors de l'expédition ou lors de la manutention.

**AVERTISSEMENT** *RISQUE DE BRULURE!*  
*Les surfaces et les pièces s'échauffent.*



4. Laisser le compresseur fonctionner pendant environ 5 minutes. Éteindre avec l'interrupteur MARCHE/ARRÊT Laisser le compresseur reposer pendant au moins 1 minute pendant que l'air à haute pression soit libéré par l'intermédiaire de l'entrée du compresseur. Vous allez entendre l'air qui s'échappe.

**AVERTISSEMENT** *Enlever l'étiquette et verrouiller la source d'alimentation puis relâcher la pression du système avant d'essayer d'installer, réparer, déplacer ou procéder à quelque entretien.*



5. Dissiper toute la pression d'air du réservoir avant d'effectuer l'entretien ou le redémarrage du compresseur pour la prochaine séquence d'exécution au point n° 8.
6. Laisser le compresseur refroidir, puis vérifier le niveau d'huile. Ajouter de l'huile si nécessaire.
7. Sceller toutes les fuites d'air ou d'huile si nécessaire.
8. Redémarrer le compresseur d'air. Vérifier la position d'E-Stop. Démarrer l'alimentation principale. Tourner l'interrupteur MARCHE/ARRÊT en position Marche. Réinitialiser l'interrupteur de haute température/pression et le compresseur démarrera.
9. Avec soupape à la sortie du réservoir fermée, la pression de l'air s'accumulera dans le réservoir à la pression de coupure. La pression d'air dans le réservoir augmentera jusqu'à ce que la pression maximale pré réglée soit atteinte. Après avoir atteint la pression maximum, le compresseur passera en Mode sans charge. Le niveau de bruit changera pour être plus tranquille. L'air n'est plus pompé dans le réservoir. La soupape d'admission d'air est fermée à l'intérieur du boîtier du filtre à air. L'air à haute pression de l'intérieur du boîtier du compresseur est ventilé lentement à travers le boîtier du filtre à air pour permettre au compresseur de tourner au ralenti. Vous pouvez entendre l'air à haute pression être ventilé pendant environ 1 minute.
10. A l'intérieur du coffret électrique, le délai d'inactivité commence le suivi du temps. Après environ 15 minutes de fonctionnement au ralenti, le compresseur s'éteint.
11. Relâcher la pression du réservoir jusqu'à la limite de la pression d'enclenchement et le compresseur redémarrera automatiquement. La pression s'accumulera dans le réservoir jusqu'à ce qu'elle atteigne la pression de coupure et ira en mode sans charge à nouveau. Attendre environ 1 minute puis relâcher un peu d'air dans le réservoir d'air.

Quand la pression dans le réservoir baisse jusqu'à la pression d'enclenchement, la soupape d'entrée d'air s'ouvre permettant à l'air d'être comprimé et à remplir le réservoir. Le délai d'inactivité est réinitialisé pour le prochain cycle.

Cette séquence d'opération se poursuivra jusqu'à ce que l'interrupteur MARCHE/ARRÊT soit en position d'arrêt.

Votre compresseur est maintenant prêt à l'emploi.

**REMARQUE** : Toutes les pompes du compresseur lubrifiées déchargent un peu eau condensée et d'huile avec l'air comprimé. Installer l'équipement approprié d'élimination d'eau/huile et de contrôles nécessaires pour l'application prévue.

## Fonctionnement (Suite)

### AVIS

*Si vous n'installez pas d'équipements appropriés d'enlèvement d'eau/huile, cela peut entraîner des dommages à la machine ou aux pièces.*

### TEMPÉRATURE AMBIANTE DE FONCTIONNEMENT

Le compresseur est conçu pour fonctionner dans une température ambiante comprise entre 4,4 °C (40 °F) et 37,8 °C (100 °F). Pour des températures ambiantes inférieures à 4,4 °C (40 °F), l'appareil doit être chauffé à au moins 21,11 °C (70 °F) avant le démarrage.

### PROTECTION

**⚠ AVERTISSEMENT** *Le protège-courroie fourni doit être installé sur l'appareil.*



**⚠ AVERTISSEMENT** *Ne jamais utiliser le compresseur sans un protège-courroie. Cet appareil peut démarrer automatiquement sans avertissement. Des blessures ou de dommages à la propriété peuvent survenir en entrant en contact avec les pièces mobiles.*

Toutes les pièces mobiles doivent être protégées. Tous les couvercles électriques doivent être installés avant la mise sous tension.

### VIDANGE DU RÉSERVOIR

Le condensat doit être évacué du réservoir quotidiennement.

## Entretien

Voir le plan d'entretien à la page FR17.

**⚠ AVERTISSEMENT** *Enlever l'étiquette et verrouiller la source d'alimentation puis relâcher la pression du système avant d'essayer d'installer, réparer, déplacer ou procéder à quelconque entretien.*



Afin de maintenir un fonctionnement efficace du système du compresseur, vérifier le niveau d'huile avant chaque utilisation. La soupape de sûreté ASME doit également être vérifiée tous les jours (voir la Figure 10). Tirer sur la valve de sécurité. Une fois la pression libérée, la valve de sécurité se ferme. Cette soupape laisse échapper l'air automatiquement si la pression dépasse le maximum pré réglé. S'il y a des fuites d'air après la libération de l'anneau, ou la soupape est coincée et ne peut pas être actionnée par l'anneau, la soupape de sûreté ASME doit être remplacée.

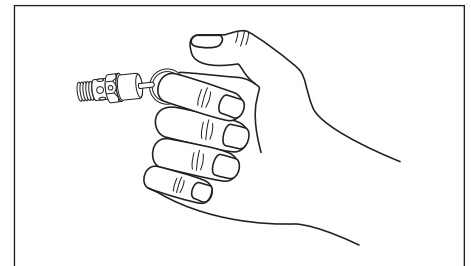


Figure 10 - Soupape de sûreté ASME

**⚠ AVERTISSEMENT** *Ne pas modifier la soupape de sûreté ASME.*

### RÉSERVOIR

**⚠ AVERTISSEMENT** *Ne jamais tenter de réparer ou de modifier un réservoir ! Le soudage, perçage ou toute autre modification affaiblira le réservoir et entraînera le dommage en raison de rupture ou d'explosion. Toujours remplacer les réservoirs usés, fendus ou endommagés.*



### AVIS

*Purger le liquide du réservoir quotidiennement.*

Le réservoir doit être soigneusement inspecté au moins une fois par an. Rechercher les fissures qui se forment près des soudures. Si une fissure est détectée, retirer immédiatement la pression du réservoir et remplacez-le.

## Entretien (Suite)

### CHANGEMENT D'HUILE

**⚠ AVERTISSEMENT** **RISQUE DE BLESSURE !** L'appareil contient des composants en rotation et sous pression. Ne pas essayer de changer l'huile jusqu'à ce que l'appareil soit complètement en arrêt et a été entièrement dépressurisé.

**⚠ AVERTISSEMENT** Débrancher, étiqueter et verrouiller la source d'alimentation avant de réparer, déplacer ou d'effectuer toute opération de maintenance.

**⚠ AVERTISSEMENT** **RISQUE DE BRÛLURE !** Les pièces de l'appareil, l'huile et le bouchon à vis peuvent être plus chauds que 80 °C (175 °F) ! Porter un équipement de protection personnelle !



1. Mettre le système hors tension, afin de l'empêcher d'être remis en marche sans autorisation, et l'amener dans une position horizontale.
2. Dépressuriser le réservoir et le système complètement.
3. Dévisser le bouchon d'huile du col de remplissage à la main.
4. Dévisser soigneusement le bouchon de vidange et recueillir l'huile usée dans un récipient approprié.

**⚠ ATTENTION** Éliminer l'huile usagée, le conteneur contaminé de l'huile et les chiffons en accord avec les règlements.

5. Nettoyer la vis de vidange d'huile pour enlever l'huile restante. Serrer le bouchon de drainage à la position d'origine fermée.

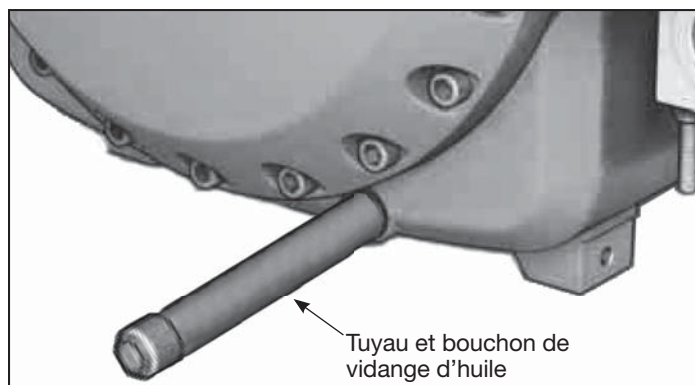


Figure 11 - Drainage d'huile

### FILTRE À HUILE

**⚠ AVERTISSEMENT** **RISQUE DE BLESSURE !** L'appareil contient des composants en rotation et sous pression. Ne pas essayer de changer l'huile jusqu'à ce que l'appareil soit complètement en arrêt et a été entièrement dépressurisé.

**⚠ ATTENTION** **RISQUE DE BRÛLURE !** Les pièces de l'appareil, l'huile et le bouchon à vis peuvent être plus chauds que 80 °C (175 °F) ! Porter un équipement de protection personnelle !



**REMARQUE :** Remplacer le filtre à huile à chaque vidange.

1. Éteindre le système de compresseur à vis et l'empêcher d'être remis en marche sans autorisation.

2. Dépressuriser complètement le circuit.
3. Retirer la cartouche du filtre à huile avec un outil approprié, par exemple une clé à sangle de filtre d'huile.

**⚠ ATTENTION** Éliminer l'ancienne cartouche de filtre à huile conformément à la réglementation en vigueur.

4. Huiler le joint de la nouvelle cartouche de filtre à huile avec de l'huile de même type que l'huile dans l'extrémité d'air.
5. Le nouveau filtre à huile doit être tenu verticalement et rempli avec de l'huile de même type d'huile que dans le module compresseur avant d'être vissé.
6. Visser la nouvelle cartouche d'huile sur le multi bloc et serrer à la main. Aucun outil n'est nécessaire.
7. Allumer le système.
8. L'étanchéité du filtre à huile doit être vérifiée avec le système en cours de fonctionnement.
9. Vérifier le niveau d'huile tel qu'expliqué précédemment et faire déborder à nouveau la quantité d'huile manquante à son niveau maximum.

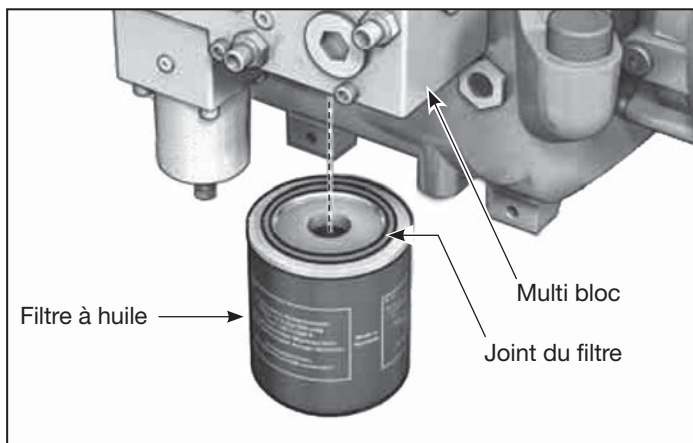


Figure 12 - Filtre à huile

### ÉLÉMENT DE SÉPARATION D'AIR-HUILE

**⚠ AVERTISSEMENT** **RISQUE DE BLESSURE !** L'appareil contient des composants en rotation et sous pression. Ne pas essayer de changer l'huile jusqu'à ce que l'appareil soit complètement en arrêt et a été entièrement dépressurisé.

**⚠ AVERTISSEMENT** **RISQUE DE BRÛLURE !** Les pièces de l'appareil, l'huile et le bouchon à vis peuvent être plus chauds que 80 °C (175 °F) ! Porter un équipement de protection personnelle !



**⚠ ATTENTION** Une admission d'air très sale ou une huile de moindre qualité provoque des salissures de la cartouche, ce qui peut entraîner la nécessité d'un remplacement prématuré.

1. Éteindre le système de compresseur à vis et empêcher-le d'être remis en marche sans autorisation.
2. Dévisser l'élément de séparation d'air-huile avec un outil approprié, par exemple une clé à sangle de filtre d'huile.

## Entretien (Suite)

**ATTENTION** *Éliminer l'huile usagée, le conteneur contaminé d'huile et les chiffons en accord avec les règlements.*

3. Huiler le joint sur le nouvel élément de séparation air-huile avec l'huile du même type que l'huile dans le module du compresseur à vis compact.
4. Serrer le nouvel élément de séparation air-huile à la main. Aucun outil n'est nécessaire.

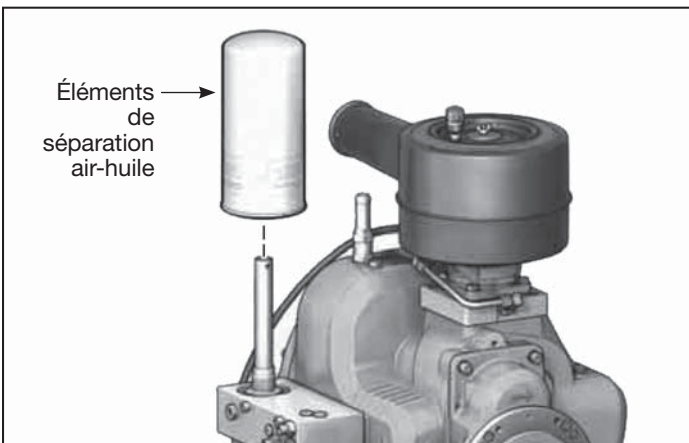


Figure 13 - Élément de séparation air-huile

5. Allumer le système du compresseur.
6. L'élément de séparation air-huile doit être vérifié pour des fuites avec le système en cours de fonctionnement.

### REPLISSAGE AVEC D'HUILE

**ATTENTION** *Assurer-vous d'utiliser l'huile recommandée. Ajouter de l'huile de même type que l'huile du même fabricant. Le passage à un autre type d'huile peut exiger le rinçage du compresseur à vis.*

**REMARQUE :** Remplacer le filtre à huile à chaque vidange.

1. Arrêter le système, l'empêcher d'être rallumé sans autorisation.
2. Par le biais du col de remplissage du réservoir de séparation, ajouter de l'huile jusqu'au niveau maximum et réinsérer le bouchon à vis, tourner fermement à la main sur le col de remplissage.
3. Allumer le compresseur à vis et le permettre de fonctionner pendant environ trois minutes.
4. Éteindre le compresseur à vis et empêcher-le d'être remis en marche sans autorisation.
5. Faire déborder l'huile jusqu'au niveau maximum.
6. Allumer le compresseur à vis et revenir à une utilisation normale.

### FILTRE D'ENTRÉE D'AIR

**AVERTISSEMENT** *Ne retirer pas le boîtier du filtre à air ou effectuer un entretien avec de la pression dans l'extrémité air ou dans le réservoir à pression d'air.*

Ne jamais faire fonctionner la pompe du compresseur sans filtre d'admission d'air ou avec un filtre d'admission d'air obstrué. L'élément de filtre à air doit également être vérifié tous les mois (voir la Figure 14). Faire fonctionner le compresseur avec un filtre sale peut entraîner une consommation d'huile élevée et augmenter la contamination dans l'air d'évacuation. Si le filtre à air est sale, il doit être remplacé.

En cas d'admission d'air très sale, remplacer et vérifier plus fréquemment.

**ATTENTION** *Les particules de saleté et la poussière ne doivent pas entrer dans l'entrée d'air du module du compresseur. La prise d'air doit être propre et bien entretenue.*

**ATTENTION** *Il n'est pas permis de nettoyer l'élément filtrant ; l'élément filtrant doit toujours être remplacé ! Disposer l'ancien élément filtrant d'air selon les règlements locaux.*

1. Éteindre le système de compresseur à vis et empêcher-le d'être remis en marche sans autorisation.
2. Dévisser l'écrou à oreilles et retirer le couvercle du filtre.
3. Retirer l'ancien élément filtrant.
4. Retirer soigneusement la poussière du boîtier du filtre.
5. Insérer le nouveau filtre dans le boîtier du filtre.
6. Installer le couvercle du filtre, assurant un positionnement correct pendant l'assemblage.
7. Serrer l'écrou à oreilles.
8. Allumer le système.

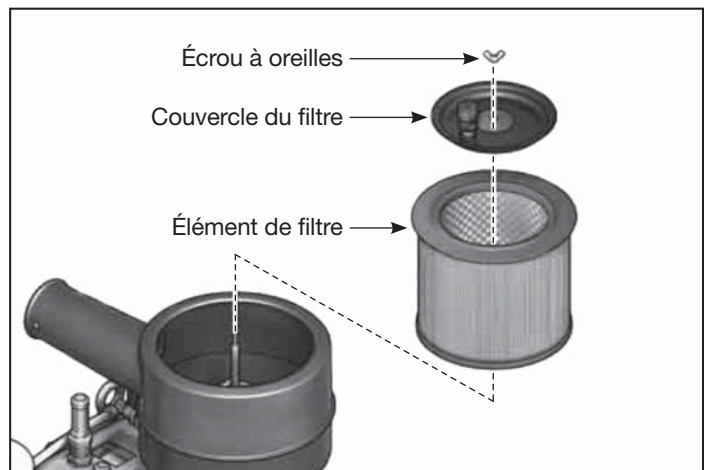


Figure 14 - Filtre d'admission d'air

### REFROIDISSEUR D'HUILE

Hebdomadairement, vérifier le refroidisseur d'huile pour s'assurer que tous les raccords sont sûrs et serrés. Nettoyer toutes les accumulations de saleté, de poussière et autres.

## Entretien (Suite)

### COMPOSANTS

Couper toute alimentation et nettoyer l'extrémité air, le moteur, les pales du ventilateur, conduites d'air, refroidisseur d'huile et le réservoir sur une base mensuelle.

### COURROIES

**⚠ AVERTISSEMENT** *Verrouiller et étiqueter l'alimentation puis relâcher toute la pression du réservoir pour éviter tout mouvement inattendu de l'appareil.*

Vérifier la tension de la courroie tous les 3 mois. Régler la tension de la courroie pour permettre une déviation de 9.52 mm (3/8 pouce) avec une pression du pouce normal. Aussi, aligner les courroies à l'aide d'une règle de vérification contre le visage des poulies de manière à toucher la jante sur les deux côtés du visage. Les courroies doivent être parallèles à cette règle de vérification.

Les fentes dans la plaque d'embase pour permettent le coulissement d'avant en arrière du moteur pour régler la tension des courroies.

### PROGRAMME D'ENTRETIEN

Le tableau suivant donne un aperçu de l'entretien du compresseur à vis en fonction des heures de fonctionnement.

Programme d'entretien (heures de fonctionnement)	Travail de maintenance
Avant de commencer	<ol style="list-style-type: none"> <li>Vérifier le niveau d'huile dans l'extrémité air.</li> <li>Amorcer l'extrémité air s'il n'a pas été utilisé pendant plus de 12 semaines.</li> </ol>
Quotidienne	<ol style="list-style-type: none"> <li>Vérifier les soupapes de sureté.</li> <li>Vider le réservoir pour éliminer l'eau.</li> </ol>
À 50 heures de fonctionnement	<ol style="list-style-type: none"> <li>Vérifier le niveau d'huile dans l'extrémité air.</li> <li>Serrer tous les raccords de tuyauterie à vis et raccords borne à serrage sous tête de vis électriques, vérifiez les autres raccords pour une parfaite assise.</li> </ol>
Toutes les 100 heures de fonctionnement	<ol style="list-style-type: none"> <li>Vérifier le niveau d'huile à l'extrémité d'air, faire déborder si l'huile est faible.</li> <li>Écouter les bruits de fonctionnement anormaux pendant le fonctionnement.</li> </ol> <p><b>⚠ AVERTISSEMENT</b> <i>Éteindre immédiatement l'appareil, localiser le problème et faire réparer. Un bruit anormal peut indiquer une situation potentiellement dangereuse.</i></p> <ol style="list-style-type: none"> <li>Vérifier toutes les conduites, les tuyaux flexibles et les raccords à vis pour les fuites et les dommages visibles de l'extérieur.</li> </ol> <p><b>⚠ AVERTISSEMENT</b> <i>RISQUE DE BLESSURE ! Réparer les fuites et les dommages immédiatement ! Il n'est pas autorisé de réparer les tuyaux hydrauliques.</i></p>
Chaque mois (demande normale)	<ol style="list-style-type: none"> <li>Vérifier l'élément de filtre à air.</li> </ol>
Tous les 3 mois (demande normale)	<ol style="list-style-type: none"> <li>Vérifier la tension de la courroie.</li> </ol>
Toutes les 2000 heures de fonctionnement ou 1 an, selon la première éventualité	<ol style="list-style-type: none"> <li>Changer l'élément de séparation d'air-huile.</li> <li>Effectuer une vidange d'huile.</li> <li>Changement du filtre à huile.</li> <li>Remplacer l'élément filtrant dans le filtre d'admission d'air.</li> <li>Vérifier s'il y a des fuites.</li> <li>Nettoyer le système</li> <li>Vérifier les courroies (remplacer au besoin).</li> <li>Inspecter les tuyaux flexibles.</li> </ol>
Tous les 6 ans avec une demande normale	<p>Remplacer les conduites flexibles.</p> <p><b>⚠ AVERTISSEMENT</b> <i>Il n'est pas permis de réparer les conduites flexibles. Les conduites flexibles DOIVENT être remplacées.</i></p>

## Guide de Dépannage

SYMPTÔME	CAUSE(S) POSSIBLE(S)	MESURES CORRECTIVES
L'appareil ne démarre pas - le moteur ne fait aucun bruit	<ol style="list-style-type: none"> <li>1. Puissance insuffisante au compresseur</li> <li>2. L'appareil est câblé incorrectement</li> <li>3. Mauvaise tension fournie à l'appareil</li> <li>4. Les raccords électriques sont desserrés</li> <li>5. Câblage de mauvaise taille</li> <li>6. Fusible grillé et/ou disjoncteur déclenché</li> <li>7. Surcharge de démarrage déclenché</li> </ol>	<ol style="list-style-type: none"> <li>1. La source électrique du compresseur est une tension incorrecte, une taille de câblage insuffisante pour supporter la charge, la boîte de fusibles ou la boîte du disjoncteur qui n'est pas suffisante pour mener les exigences de charge du compresseur.</li> <li>2. Tout câblage autre que ce qui est indiqué dans le manuel pourrait causer un dysfonctionnement (voir la section Câblage).</li> <li>3. Assurer-vous que la tension soit correcte avec le câblage du moteur (voir la section Câblage).</li> <li>4. Le système électrique doit être vérifié par un électricien certifié. Les fils d'entrée et les raccords électriques du compresseur doivent être vérifiés. Les raccords desserrés provoqueront des dysfonctionnements.</li> <li>5. Vérifier que la taille du fil est conçue pour le courant du compresseur. Les codes d'état et locaux varient largement et doivent être vérifiés avant l'installation.</li> <li>6. Le disjoncteur et les fusibles requis pour cet appareil doivent être temporisés. Un disjoncteur déclenché ou un fusible grillé peut indiquer un court circuit à la masse, une consommation de courant élevée, un câblage incorrect, un fusible incorrect ou la taille du disjoncteur incorrecte. Ceci doit être évalué par un centre de service ou par un électricien certifié.</li> <li>7. Vérifier et régler si nécessaire. S'il y a un déclenchement de surcharge après la réinitialisation initiale, reportez-vous à la section du manuel qui traite cette question.</li> </ol>
L'appareil démarre, mais ne fonctionne pas à pleine vitesse	<ol style="list-style-type: none"> <li>1. Puissance insuffisante au compresseur</li> <li>2. Raccords électriques desserrés</li> </ol>	<ol style="list-style-type: none"> <li>1. A source électrique du compresseur est une tension incorrecte, une taille de câblage insuffisante pour supporter la charge, la boîte de fusibles ou la boîte du disjoncteur qui n'est pas suffisante pour mener les exigences de charge du compresseur.</li> <li>2. Le système électrique en entier doit être vérifié par un électricien certifié. Les fils et les raccords électriques entrants du compresseur doivent être vérifiés. Les raccords desserrés provoqueront des dysfonctionnements.</li> </ol>
L'appareil ne crée pas d'air du tout ou très peu	<ol style="list-style-type: none"> <li>1. Robinet de vidange ouvert</li> <li>2. Fuite d'air</li> <li>3. Une alimentation limitée ou bloquée</li> </ol>	<ol style="list-style-type: none"> <li>1. Assurez-vous que le robinet de vidange au fond de la cuve soit fermé.</li> <li>2. Vérifier l'étanchéité de l'ensemble du système, y compris le compresseur et toute tuyauterie attachée au compresseur</li> <li>3. Assurez-vous que l'alimentation d'air du compresseur ne soit pas bloquée en aucune manière.</li> </ol>
Appareil bruyant pendant le fonctionnement	<ol style="list-style-type: none"> <li>1. Dommages au compresseur</li> <li>2. Fixations desserrées</li> <li>3. Poulies ou ceintures desserrées</li> </ol>	<ol style="list-style-type: none"> <li>1. Vérifier pour s'assurer que le compresseur n'a pas été endommagé pendant l'expédition ou l'installation. Assurez-vous que le protège-courroie n'a pas été endommagé. Le protège-courroie ne doit pas être en contact avec le volant ou la poulie.</li> <li>2. Vérifier tous les boulons et écrous pour s'assurer qu'ils n'ont pas été desserrés pendant le transport.</li> <li>3. Vérifier pour s'assurer que la poulie et le volant sont bien serrés.</li> </ol>
Fumée d'huile à partir de la prise d'alimentation pendant l'arrêt	Ceci est normal	<p>Une petite quantité d'huile peut être libérée avec l'air à haute pression qui circule à travers le filtre à air.</p> <p><b>⚠ Avertissement</b> <i>Ne pas retirer le boîtier du filtre à air ou effectuer un entretien avec de la pression dans l'extrémité air ou dans le réservoir à pression d'air.</i></p>



---

**ENREGISTREZ VOTRE PRODUIT EN LIGNE DÈS MAINTENANT :**

<http://reg.ch-commercial.com>

---

**Garantie Limitée**

1. DURÉE : À partir de la date d'achat par l'acheteur original comme suit : Deux ans pour l'extrémité d'air du compresseur. Un an pour le solde du groupe compresseur.
2. QUI FOURNIT CETTE GARANTIE (GARANT) : Campbell Hausfeld / Scott Fetzer Company, 100 Production Drive, Harrison, Ohio, 45030, Téléphone : (800) 543-6400.
3. QUI REÇOIT CETTE GARANTIE (GARANT) : L'acheteur d'origine (sauf à des fins de revente) du compresseur d'air Campbell Hausfeld.
4. QUELS PRODUITS SONT COUVERTS PAR CETTE GARANTIE : Le compresseur d'air rotatif à vis Campbell Hausfeld.
5. QUE COUVRE CETTE GARANTIE : Défauts importants de matériaux et/ou de fabrication avec les exceptions mentionnées ci-dessous.
6. QU'EST-CE QUI N'EST PAS COUVERT PAR CETTE GARANTIE :
  - A. Les garanties implicites, y compris celles de qualité marchande et d'ADAPTATION À UN USAGE PARTICULIER SONT LIMITÉES À PARTIR DE LA DATE D'ACHAT D'ORIGINE COMME INDIQUE DANS LA DURÉE. Certains États n'autorisent pas les limitations sur la durée d'une garantie implicite, il est donc possible que les limitations ci-dessus puissent ne pas s'appliquer à vous.
  - B. TOUT DOMMAGE, PERTE OU INDIRECTS, DOMMAGES OU FRAIS POUVANT RÉSULTER DE TOUT DÉFAUT, PANNE OU MAUVAIS FONCTIONNEMENT DU PRODUIT CAMPBELL HAUSFELD Certains États ne permettent pas l'exclusion ou des limitations de dommages indirects ou consécutifs, la limitation ou l'exclusion susmentionnée peut ne pas s'appliquer à vous.
  - C. Toute panne résultant d'un accident, d'abus de l'acheteur, de la négligence ou le manquement à installer et faire fonctionner le compresseur conformément aux instructions fournies dans le(s) manuel(s) du propriétaire fourni(s) avec le compresseur
  - D. Service de livraison, par ex. : l'assemblage, l'huile ou les lubrifiants et les réglages
  - E. Articles ou services qui sont normalement requis pour maintenir le produit, par ex. : les lubrifiants, filtres, etc.
  - F. Articles d'usure générale, par ex. : les ceintures, joints d'arbre, etc.
  - G. Tout composant endommagé lors du transport ou des dommages par le contact avec les outils ou les alentours.
  - H. Équipement qui a été réparé ou modifié sans l'autorisation de Campbell Hausfeld.
7. RESPONSABILITÉS DU GARANT AUX TERMES DE CETTE GARANTIE : Réparation ou remplacement, au choix du Garant, du compresseur ou composant qui est défectueux, qui a mal fonctionné et/ou a omis de se conformer à l'intérieur de la durée de la période de garantie. Les réparations de garanties seront effectuées à l'emplacement de l'Acheteur.
8. RESPONSABILITÉS DE L'ACHETEUR AUX TERMES DE CETTE GARANTIE :
  - A. Fournir une preuve de date d'achat et d'entretien.
  - B. Utilisation de diligence raisonnable dans l'exploitation et la maintenance des produits tel que décrit dans le(s) manuel(s) du propriétaire.
  - C. Réparations nécessitant des heures supplémentaires de travail, les tarifs de fin de semaine, ou quoi que ce soit au-delà de la garantie du fabricant des taux normaux du travail de remboursement pour la réparation.
  - D. Temps nécessaire pour tout contrôle de sécurité, formation à la sécurité, ou similaires pour le personnel de service pour accéder aux installations.
  - E. Lieu de l'appareil doit avoir un dégagement suffisant pour le personnel de service pour effectuer des réparations et être facilement accessible.
9. QUAND LE GARANT EFFECTUERA LA RÉPARATION OU LE REMPLACEMENT SOUS CETTE GARANTIE : La réparation ou le remplacement doit être prévu et exécuté en fonction de la charge de travail dans le centre de service et en fonction de la disponibilité des pièces de rechange.

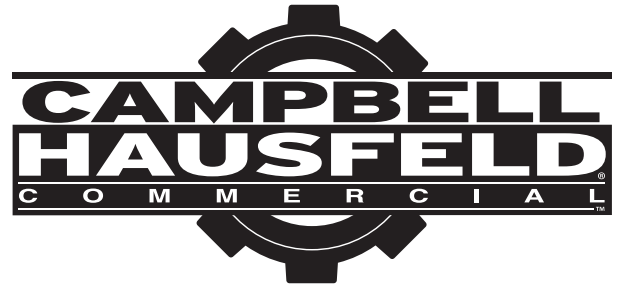
Cette garantie limitée s'applique aux États-Unis, au Canada et au Mexique seulement et vous donne des droits légaux spécifiques. Vous pouvez également avoir d'autres droits qui varient d'un État à l'autre ou d'un pays à l'autre.

PROLONGEMENT DE LA GARANTIE (FACULTATIF) : Une extension de garantie contre les défauts de fabrication et de matériaux sous des conditions normales d'utilisation est disponible comme suit :

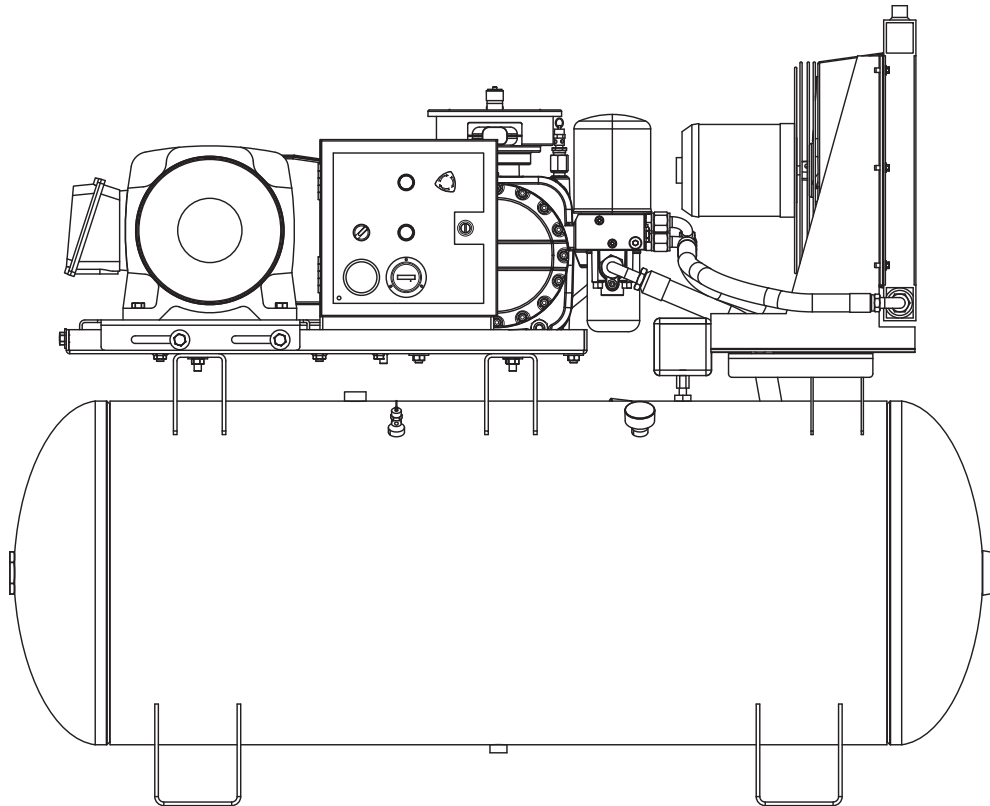
10. DURÉE : À partir de la date d'achat par l'acheteur d'origine comme suit : Trois ans.
  11. QUE COUVRE CETTE GARANTIE PROLONGÉE : Défauts de matériaux ou de fabrication des éléments suivants :
    - A. Extrémité d'air
    - B. Assemblage du refroidisseur d'huile
    - C. Réservoir d'air (réservoir)
    - D. Pièces et main d'œuvre pour la première année et pièces seulement après la première année.
  12. RESPONSABILITÉS DE L'ACHETEUR AUX TERMES DE CETTE GARANTIE PROLONGÉE :
    - A. Un formulaire d'enregistrement de garantie Campbell Hausfeld dûment rempli. Le formulaire d'inscription est disponible à <http://reg.ch-commercial.com> et doit être présenté dans les trente jours à compter du démarrage pour être admissible pour la garantie prolongée.
    - B. Pièces et fluides d'Entretien/Service - Le compresseur de la série CS doit être entretenu et réparé conformément au manuel de l'utilisateur. Des fluides et pièces d'origine Campbell Hausfeld doivent être utilisés ou la garantie prolongée sera annulée. La preuve d'achat des pièces de rechange d'origine et les liquides doivent être maintenues pendant toute la durée de la période de garantie prolongée.
    - C. Un échantillon d'huile doit être présenté à toute demande de garantie de l'extrémité d'air.
-



# Compressores de ar com parafuso rotativo



Compressores de parafuso rotativo da série CS



## Índice

Diretrizes de segurança . . . . .	Pt2
Símbolos de segurança . . . . .	Pt2
Informações importantes sobre segurança. . . . .	Pt2
Especificações . . . . .	Pt2
Conhecendo seu compressor . . . . .	Pt4
Abrindo a embalagem . . . . .	Pt7
Instalação . . . . .	Pt7
Diagrama de fiação . . . . .	Pt9
Operação . . . . .	Pt13
Manutenção . . . . .	Pt14
Guia de solução de problemas . . . .	Pt18
Garantia limitada . . . . .	Pt20

## Referência rápida

### ÓLEO

Óleo de viscosidade única para compressor de parafuso rotativo ISO46 (Número de peça CS0030, recipiente de 1 galão). Disponível através da Campbell Hausfeld; ligue para 1-855-504-5678 para assistência ao cliente.

### CAPACIDADE DE ÓLEO

7,95 litros

## GUARDE ESTAS INFORMAÇÕES PARA REFERÊNCIA FUTURA

Número de série:

Número do modelo:

Data de compra:

## Normas de Segurança

Este manual contém informações muito importantes que devem ser conhecidas e compreendidas. Essas informações são fornecidas para SEGURANÇA e para EVITAR PROBLEMAS NO EQUIPAMENTO. Para ajudar a reconhecer essas informações, observe os seguintes símbolos.

### ⚠ PERIGO

**Perigo indica uma situação eminentemente perigosa, que se não for evitada, causará a morte ou infortúnios graves.**

### ⚠ AVISO

**Aviso indica uma situação potencialmente perigosa, que se não for evitada, poderá resultar em morte ou infortúnios graves.**

### ⚠ CUIDADO

**Cuidado indica uma situação potencialmente perigosa, que se não for evitada poderá causar danos menos graves ou de grau moderado.**

### NOTA

**Nota indica uma informação importante, que se não for seguida, poderá causar danos ao equipamento.**

**COBSERVAÇÃO:** Informações que requerem atenção especial.

## Símbolos de segurança

Os símbolos de segurança a seguir aparecem ao longo de todo esse manual para lhe alertar sobre perigos de segurança e precauções.



Use proteção para os olhos e máscara



Leia o manual primeiro



Risco de incêndio



Risco de peças móveis



Risco de peças quentes



Risco de explosão



Risco de vapores



Risco de pressão



Risco de choque elétrico

**Leia e guarde essas instruções. Leia cuidadosamente antes de tentar montar, instalar, operar ou realizar manutenção no produto descrito. Proteja a si mesmo e outros ao observar todas as informações de segurança. A não observância das instruções pode resultar em lesões pessoais e/ou danos a propriedades. Guarde as instruções para referência futura.**

## Informações importantes sobre segurança

Este manual contém informações importantes sobre segurança, operação e manutenção. Em caso de dúvidas, ligue para 1-855-504-5678 para assistência ao cliente.

### PROPOSIÇÃO 65 DA CALIFÓRNIA

#### ⚠ AVISO

**Este produto ou o seu cabo de força pode conter produtos químicos, incluindo o chumbo, conhecidos, no Estado da Califórnia, como causadores de câncer e defeitos congênitos ou outras lesões reprodutivas. Lave as mãos após manusear este produto.**

#### ⚠ AVISO

**Você pode criar poeira ao cortar, lixar, furar ou esmerilar materiais tais como madeira, tinta, metal, concreto, cimento ou outro tipo de alvenaria. Esse pó frequentemente contém químicos conhecidos por causar câncer, defeitos congênitos ou outros danos reprodutivos. Use equipamento de proteção.**



### ⚠ PERIGO

## Aviso de ar para respiração

Este compressor/bomba não está equipado e não deve ser usado “como está” para fornecimento de ar para respiração. Para qualquer uso de ar para consumo humano, o compressor/bomba de ar precisará contar com um equipamento de alarme e segurança em linha adequado encaixado. Este equipamento é necessário para filtragem e purificação adequadas do ar para atender às especificações mínimas para consumo humano de nível D, conforme descrito nas Especificações de Commodities da Associação de Gás Comprimido G 7.1, OSHA 29 CFR 1910. 134, e/ou Associações de Padrões Canadenses (CSA).

### ISENÇÃO DE GARANTIAS

Caso o compressor seja usado para a finalidade de aplicação de ar para respiração e equipamentos de alarme e segurança em linha adequados não sejam utilizados simultaneamente, as garantias existentes serão violadas, e a Campbell Hausfeld se isenta de qualquer responsabilidade por perda, lesão pessoal ou danos.

## Especificações

Modelo	HP	Tensão	Fase	Pressão operacional de fornecimento de ar em 10,34 bar	Dimensão do tanque (litros)
CS2152	15	208	3	1302,6 l/min	454,2
CS2153	15	230	3	1302,6 l/min	454,2
CS2154	15	460	3	1302,6 l/min	454,2
CS2202	20	208	3	1925,6 l/min	454,2
CS2203	20	230	3	1925,6 l/min	454,2
CS2204	20	460	3	1925,6 l/min	454,2
CS2252	25	208	3	2463,6 l/min	454,2
CS2253	25	208	3	2463,6 l/min	454,2
CS2254	25	460	3	2463,6 l/min	454,2

**Informações importantes sobre segurança (Continuação)****SEGURANÇA GERAL**

- ◆ Leia todos os manuais incluídos com este produto cuidadosamente. Esteja bem familiarizado com os controles e uso adequado do equipamento.
- ◆ Respeite todos os códigos de segurança e eletricidade locais, além dos Códigos Elétricos Nacionais (NEC) dos EUA e a Lei de Saúde e Segurança Ocupacional (OSHA).
- ◆ Somente indivíduos familiarizados com essas regras de operação segura devem receber permissão para utilizar o compressor.
- ◆ Visitantes devem manter distância e crianças NUNCA devem permanecer na área de trabalho.
- ◆ Utilize óculos de segurança e proteção auricular ao operar a unidade.
- ◆ Não fique em pé ou utilize a unidade como um equipamento portátil.
- ◆ Os dispositivos de proteção encaixados neste compressor são fornecidos para oferecer segurança de operação. O operador é o único responsável pela segurança pessoal a todo momento. Esses dispositivos não devem ser ajustados, exceto por um agente de serviços autorizado.
- ◆ Antes de cada uso, inspecione os componentes elétricos e o sistema de ar comprimido em busca de sinais de danos, deterioração, fraquezas ou vazamento. Repare ou substitua itens defeituosos antes de usá-los.
- ◆ Verifique todos os prendedores em intervalos frequentes para garantir fixação adequada.



**funcionamento máxima permitida (MAWP) do tanque DEVE estar instalada nas linhas de ar ou no tanque para esse compressor. A válvula de segurança ASME deve apresentar classificações de pressão e fluxo suficientes para proteger os componentes pressurizados contra explosão. A classificação de fluxo pode ser obtida no manual de peças. A válvula de segurança no resfriador intermediário não fornece proteção ao sistema.**

**⚠ AVISO**

**A pressão máxima de operação é 10,34 bar. Não opere com válvulas piloto ou**

**interruptores de pressão ajustadas acima da configuração de fábrica.**

- ◆ Nunca tente ajustar uma válvula de segurança ASME. Mantenha a válvula de segurança sem tinta e outros acúmulos.

**⚠ AVISO**

**Nunca tente reparar ou modificar um tanque. Solda,**

**perfuração ou qualquer outra modificação farão com que o tanque enfraqueça, resultando em danos por ruptura ou explosão. Sempre substitua tanques com desgaste, trincados ou danificados.**

**NOTA**

**Realize drenagens de líquidos no tanque diariamente.**

- ◆ O acúmulo de umidade enferruja os tanques, o que os enfraquece. Lembre-se de drenar o tanque regularmente e inspecionar periodicamente em busca de condições inseguras como formação de ferrugem e corrosão.
- ◆ Ar com rápida movimentação irá levantar poeira e entulhos, os quais podem ser perigosos. Libere o ar lentamente ao drenar umidade ou ao despressurizar o sistema do compressor.

**⚠ AVISO** **Motores, equipamentos elétricos e controles podem utilizar arcos elétricos que irão acionar um gás ou vapor inflamável. Nunca opere ou faça reparos em ou próximo a gases ou vapores inflamáveis. Nunca armazene líquidos ou gases inflamáveis nas proximidades do compressor.**



**⚠ AVISO** **Nunca opere o compressor sem um protetor de correia. Essa unidade pode ser acionada automaticamente sem avisos. Podem ocorrer lesões pessoais ou danos a propriedades devido a contato com partes móveis.**



- ◆ Nunca use roupas com folgas ou joias que podem se prender nas partes móveis da unidade.

**⚠ CUIDADO** **Peças do compressor podem estar quentes, mesmo se a unidade estiver parada.**



- ◆ Mantenha seus dedos longe de um compressor em funcionamento; peças quentes e em rápida movimentação causam lesões e/ou queimaduras.
- ◆ Caso o equipamento comece a vibrar de forma anormal, DESLIGUE o motor e verifique imediatamente a causa. Vibrações normalmente são uma indicação de problemas.
- ◆ Para reduzir riscos de incêndio, mantenha o motor exterior livre de óleo, solventes ou excesso de graxa.

**⚠ AVISO**

**Uma válvula de segurança do código ASME com um ajuste abaixo da pressão de**

**PRECAUÇÕES DE PULVERIZAÇÃO**

**⚠ AVISO** **Não pulverize materiais inflamáveis nas proximidades de chamas abertas ou fontes de ignição, incluindo a unidade do compressor.**



- ◆ Não fume ao pulverizar tinta, inseticidas ou outras substâncias inflamáveis.
- ◆ Use uma máscara/respirador ao pulverizar e pulverize em uma área bem ventilada para evitar riscos à saúde e de incêndio.
- ◆ Não direcione tinta ou outro material pulverizado ao compressor. Posicione o compressor o mais distante da área de pulverização o possível para minimizar o acúmulo do excesso de pulverização no compressor.
- ◆ Ao pulverizar ou limpar com solventes ou substâncias químicas, siga as instruções fornecidas pelo fabricante de substâncias químicas.

**LEIA E SIGA TODAS AS INSTRUÇÕES  
GUARDE ESTAS INSTRUÇÕES - NÃO DESCARTE**

As notificações e instruções **PERIGO, AVISO, CUIDADO e AVISO** neste manual não podem prever todas as possíveis condições e situações que podem ocorrer. O operador deve compreender que cuidado é um fator que não pode ser integrado a este produto, mas que deve ser fornecido pelo operador.

## Conhecendo seu compressor

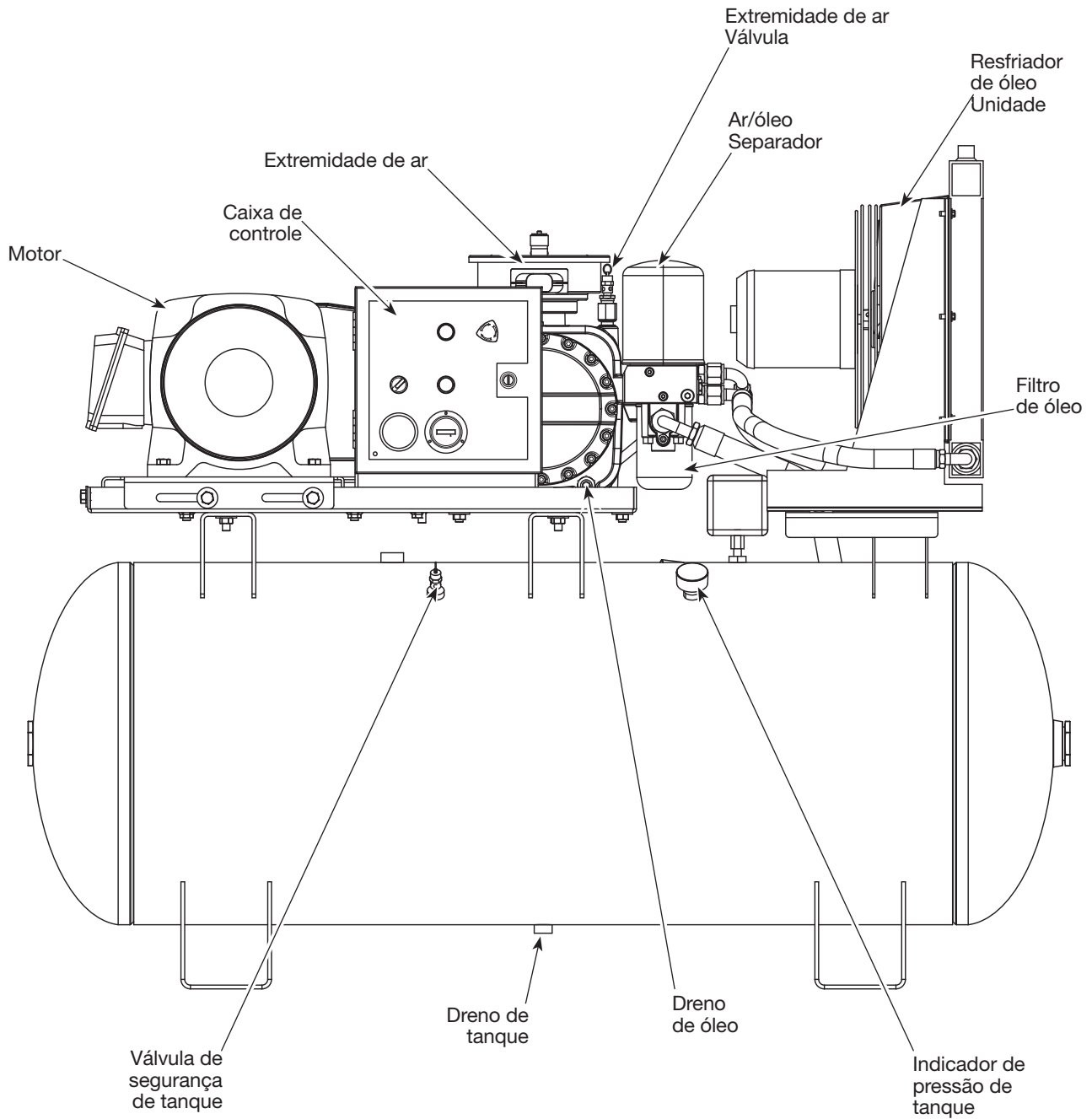


Figura 1 - Componentes do compressor

**Conhecendo seu compressor**

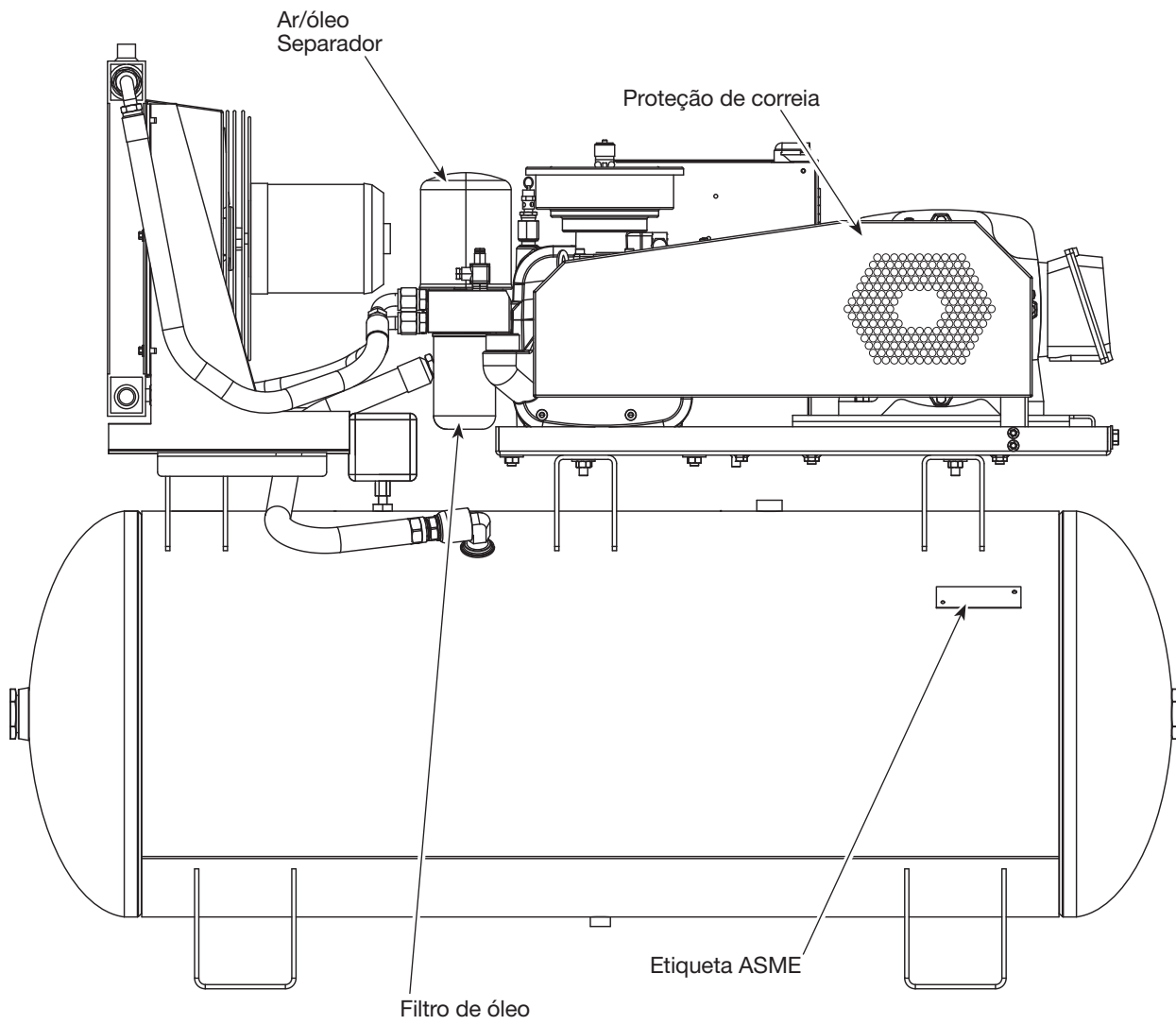


Figura 2 - Componentes do compressor

## Conhecendo seu compressor

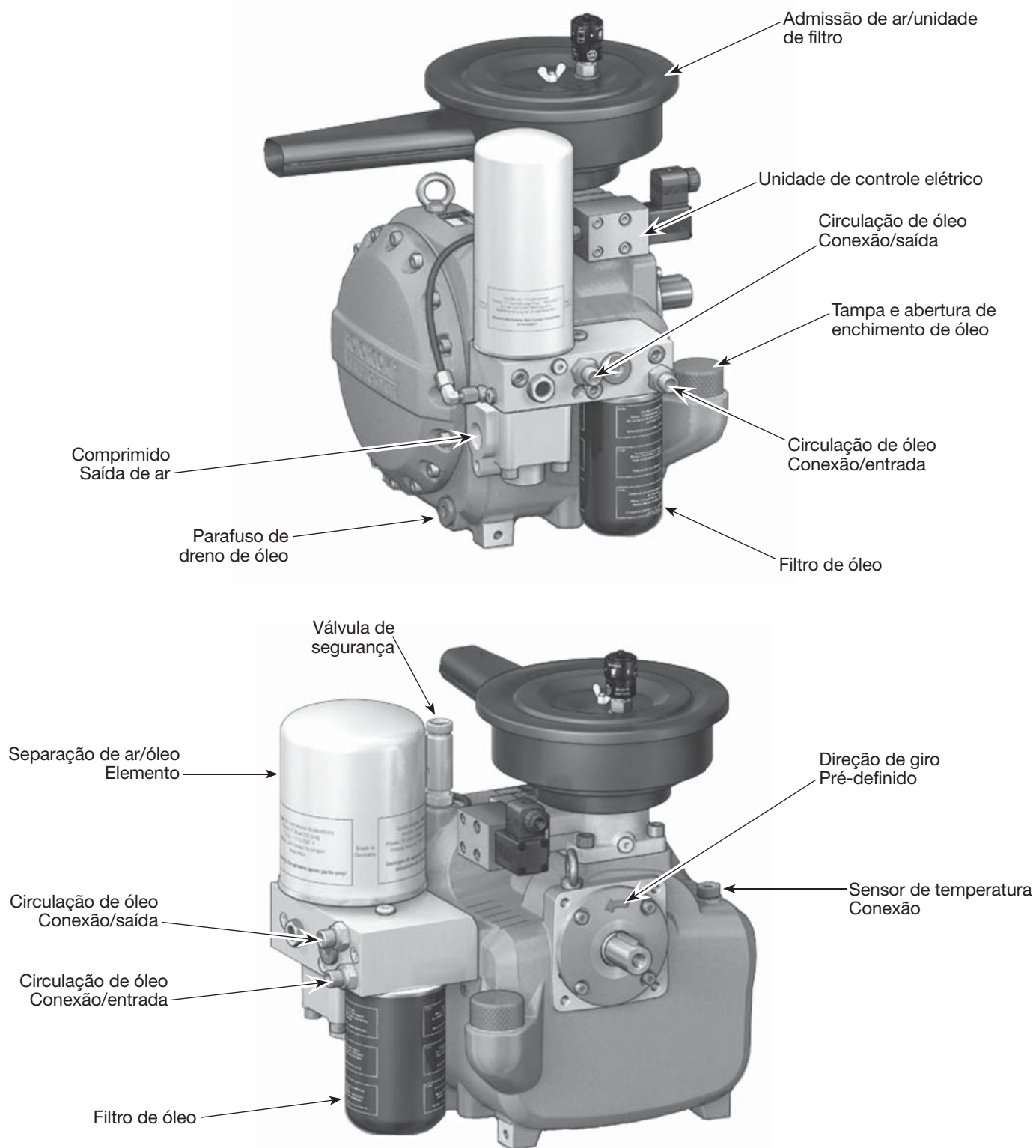


Figura 3 - Componentes da extremidade de ar

## Abrindo a embalagem

**⚠ CUIDADO** Não levante ou mova a unidade sem equipamento com classificação adequada. Certifique-se de que a unidade esteja firmemente presa ao dispositivo de içamento usado. Não levante a unidade segurando em tubos ou resfriadores. Não use a unidade para levantar o equipamento preso.

Após desembalar a unidade, inspecione cuidadosamente em busca de quaisquer danos que podem ter ocorrido durante o trânsito. Verifique se há peças soltas, faltantes ou danificadas. Certifique-se de que todos os acessórios fornecidos acompanhem a unidade. Em caso de dúvidas, peças danificadas ou faltantes, ligue para 1-855-504-5678 para assistência ao cliente.

**⚠ AVISO** Não opere a unidade em caso de danos durante envio, manuseio ou uso. Danos podem resultar em explosões e levar a lesões ou danos a propriedades.

## Instalação

**⚠ AVISO** Desconecte, marque e trave a fonte de energia e depois libere toda a pressão do sistema antes de tentar instalar, realizar serviços, reposicionar ou realizar qualquer manutenção.



**⚠ CUIDADO** Não levante ou mova a unidade sem equipamento com classificação adequada. Certifique-se de que a unidade esteja firmemente presa ao dispositivo de içamento usado. Não levante a unidade segurando em tubos ou resfriadores. Não use a unidade para levantar o equipamento preso.

**⚠ CUIDADO** Nunca use separas de envio de madeira para montagem do compressor.

### SELEÇÃO DO LOCAL

Instale e opere a unidade no mínimo a 91,44 centímetros contra quaisquer obstruções em uma área livre e ventilada. A temperatura do ar próximo não deve ultrapassar 37 °C ou ficar abaixo de 4 °C. Isso garantirá um fluxo livre de ar para resfriar o compressor e possibilitará espaço adequado para manutenção.

**⚠ CUIDADO** Não posicione a entrada de ar do compressor próximo a áreas com vapor, tinta, jatos de areia ou qualquer outra fonte de contaminação.

**OBSERVAÇÃO:** Caso o compressor opere em um ambiente quente e úmido, forneça à bomba do compressor ar limpo e seco. O ar de fornecimento deve ser canalizado por fontes externas.

### MONTAGEM DO TANQUE

O tanque deve ser parafusado em um piso plano, uniforme e de concreto, ou em uma fundação de concreto separada.

No caso de suportes de isolador, **não aperte os parafuso muito**. Permita que os suportes absorvam as vibrações. Quando isoladores forem utilizados, uma mangueira flexível ou acoplador devem ser instalados entre o tanque e a tubulação de serviço.

**⚠ AVISO** A instalação inadequada do tanque pode acarretar rachaduras nas juntas soldadas e possível explosão.

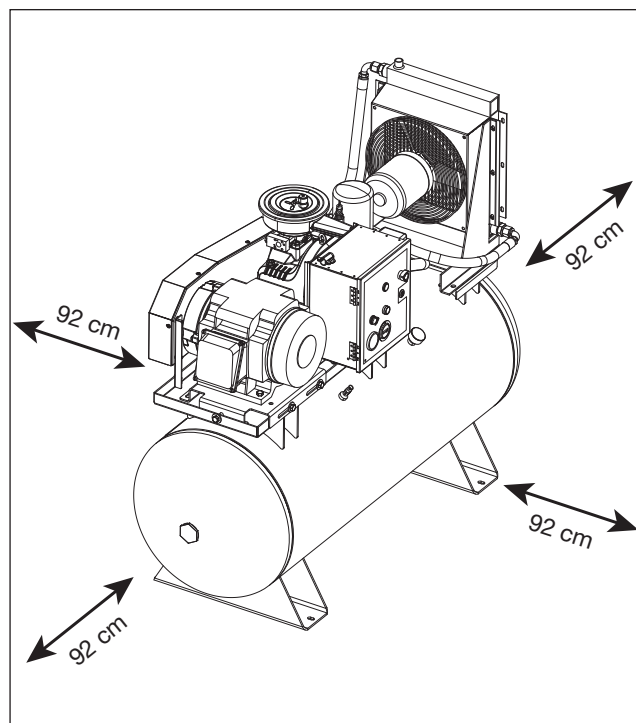


Figura 4 - Local

## Instalação (Continuação)

### TUBULAÇÃO

#### ▲ AVISO

**Nunca utilize tubos plásticos (PVC) para ar comprimido. Isso pode resultar em lesões sérias ou morte.**

Qualquer tubo, cano ou mangueira conectado à unidade deve ser capaz de suportar a temperatura gerada e de reter a pressão. Todos os componentes pressurizados do sistema de ar devem contar com uma classificação de pressão de 200 psi. A seleção e instalação incorretas de qualquer tubo, cano ou mangueira pode resultar em explosão e lesões. Conecte o sistema de tubulação ao tanque usando encaixes do mesmo tamanho da porta de descarga.

### INSTALAÇÃO DE UMA VÁLVULA DE DESLIGAMENTO

Uma válvula de desligamento deve ser instalada na porta de descarga do tanque para controlar o fluxo de ar para fora do tanque. A válvula deve ser posicionada entre o tanque e o sistema de tubulação.

#### ▲ AVISO

**Nunca instale uma válvula de desligamento entre a bomba do compressor e o tanque.**

**Podem ocorrer lesões pessoais e/ou danos ao equipamento. Nunca use redutores na tubulação de descarga.**

Ao criar um sistema instalado de forma permanente para distribuir ar comprimido, descubra o comprimento total do sistema e selecione o tamanho dos tubos a partir do gráfico. Enterre as linhas subterrâneas abaixo da linha de congelamento e evite bolsas nas quais a condensação possa acumular e congelar.

Aplique pressão à instalação de tubulação e certifique-se de que todas as juntas estejam sem vazamentos ANTES que as linhas subterrâneas sejam cobertas. Antes de colocar o compressor em funcionamento, detecte e repare todos os vazamentos na tubulação, encaixes e conexões.

### FIAÇÃO (CONSULTE A PÁGINA PT9 PARA DIAGRAMAS DE FIAÇÃO)

#### ▲ AVISO

**Todas as conexões elétricas e de fiação devem ser realizadas por um eletricista qualificado e familiarizado com controles de motor de indução. As instalações devem estar de acordo com códigos nacionais e locais.**

#### ▲ AVISO

**Superaquecimento, curto-circuito e danos por incêndio resultarão de fiação inadequada.**

A fiação deve ser instalada de acordo com o Código Elétrico Nacional e os códigos e padrões locais decretados que abordem aparatos e fiação elétrica. Esses devem ser consultados e decretos locais devem ser observados. Certifique-se de que fios de tamanhos adequados sejam utilizados e de que:

1. O serviço tenha classificação adequada de ampères.
2. A linha de fornecimento tenha as mesmas características elétricas (tensão, ciclos e fase) do motor. Consulte a placa de identificação do motor para obter classificações e especificações elétricas.
3. O fio de linha seja do tamanho adequado e que nenhum outro equipamento seja operado na mesma linha. O gráfico fornece os tamanhos mínimos recomendados para instalações de compressor.

### TAMANHO MÍNIMO DE TUBOS PARA LINHA DE AR COMPRIMIDO

l/min	Comprimento do sistema de tubulação			
	7,62 m	15,24 m	30,48 m	76,2 m
283,2	12,7 mm	12,7 mm	19,1 mm	19,1 mm
566,3	19,1 mm	19,1 mm	19,1 mm	2,54 cm
1132,7	19,1 mm	2,54 cm	2,54 cm	2,54 cm
1699,0	19,1 mm	2,54 cm	2,54 cm	2,54 cm
2831,7	2,54 cm	2,54 cm	2,54 cm	3,18 cm

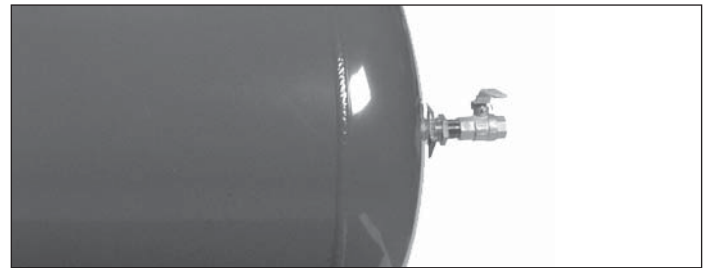


Figura 5 - Válvula de desligamento

### TAMANHO MÍNIMO DE FIO (UTILIZE UM FIO DE COBRE COM NO MÍNIMO 75 °C)

Certifique-se de que a tensão esteja correta com a fiação do motor.

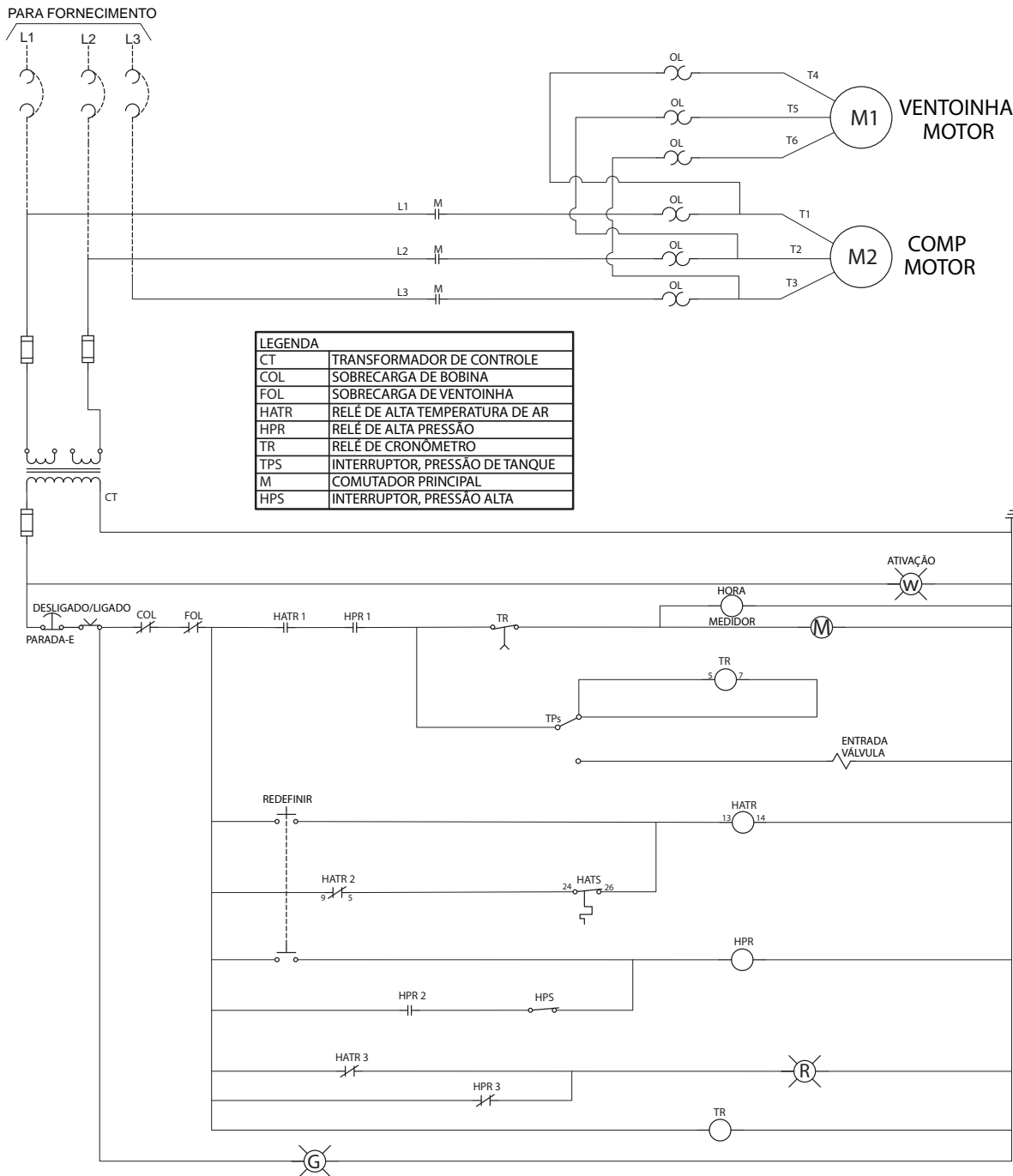
**OBSERVAÇÃO:** No caso de fase única de 208 V, certifique-se de que a placa de identificação do motor informe que ele é classificado para fase única de 208 V. Motores de fase única de 230 V não funcionam em 208 V, exceto caso tenham classificação de 208 V.

HP	Trifásico	
	208/230V	460/575V
5	12 AWG	14 AWG
7.5	10 AWG	12 AWG
10	8 AWG	12 AWG
15	6 AWG	10 AWG
20	3 AWG	8 AWG
25	3 AWG	8 AWG

**Tamanhos recomendados de fio podem ser superiores ao mínimo disposto por decretos locais. Se for o caso, o fio de tamanho superior deve ser usado para evitar queda excessiva de tensão de linha. O custo do fio adicional é bastante pequeno comparado ao custo de reparo ou substituição de um motor sem abastecimento elétrico pelo uso de fios de fornecimento que sejam muito pequenos**



## Diagrama de fiação



PROTEÇÃO E DESLIGAMENTO DE CIRCUITO DE DERIVAÇÃO FORNECIDA POR UM INSTALADOR QUALIFICADO. REALIZE A INSTALAÇÃO EM CONFORMIDADE COM TODOS OS CÓDIGOS LOCAIS, ESTADUAIS E NACIONAIS.

OS TERMINAIS DA FIAÇÃO DE CAMPO DEVERÃO USAR CONDUTORES DE COBRE RESISTENTES A 90 °C. APERTE OS PARAFUSOS DO TERMINAL DE FIAÇÃO DE CAMPO COM TORQUE DE 25 POL.-LB.

## Instalação (Continuação)

### ATERRAMENTO

#### ⚠ AVISO

**Componentes elétricos aterrados de forma inadequada apresentam riscos de choque. Certifique-se de que todos os componentes estejam adequadamente aterrados para evitar morte ou lesões sérias.**



Esse produto **deve** ser aterrado. O aterramento reduz o risco de choque elétrico ao fornecer um fio de escapamento para a corrente elétrica no caso de curto-circuito. Esse produto deve ser instalado e operado com um cabo com fio de aterramento.

### DISJUNTORES E FUSÍVEIS

Todo o sistema elétrico deve ser verificado por um eletricista certificado. Disjuntores de atraso de tempo e fusíveis são necessários para esse compressor. Um disjuntor ativado ou fusíveis queimados podem indicar um curto direto no terra, alto uso de corrente, fiação inadequada, fusível incorreto ou tamanho e/ou tipo de disjuntor. Isso precisa ser avaliado por um eletricista certificado.

### CIRCUITO IMPROVISADO DE MOTOR E INSTALAÇÃO DE ACIONADOR

A proteção de circuitos de derivação deve ser fornecida conforme especificado no Código Elétrico Nacional dos Estados Unidos, capítulo 2, "Design e proteção de fiação". Artigo 210, usando o artigo aplicável "Para motores e controladores de motores", (artigo 430, tabela 430-1 52).

### DIREÇÃO DE ROTAÇÃO

**OBSERVAÇÃO: A ROTAÇÃO INADEQUADA RESULTARÁ NA FALHA DO COMPRESSOR.**

A direção de rotação deve ser no sentido anti-horário (conforme exibido pela seta na extremidade de ar na figura 6) enquanto esteja voltada para o lado do volante na bomba.

A direção de rotação de motores trifásicos pode ser revertida pela troca de quaisquer dois condutores de linha de motor.

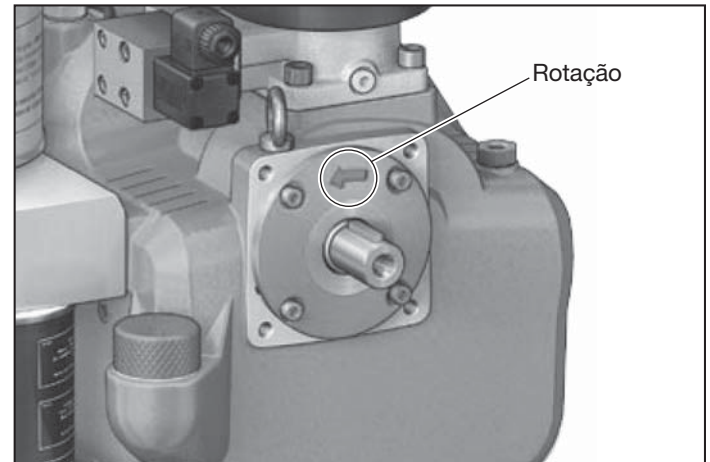


Figura 6 - Direção de rotação

### VERIFICAÇÃO DE DIREÇÃO DE ROTAÇÃO

**DIREÇÃO DE ROTAÇÃO:** giro para a esquerda (sentido anti-horário) de frente para o eixo.

#### ⚠ CUIDADO

**A direção de rotação do sistema de compressor de parafuso deve ser verificada durante a partida inicial e toda vez que mudanças sejam feitas na linha de fornecimento elétrico da transmissão de motor elétrico. Para essa finalidade, ative o motor rapidamente e depois desligue-o de novo imediatamente. A ROTAÇÃO POR MAIS DE 2 SEGUNDOS NA DIREÇÃO DE GIRO INCORRETA DESTRUIRÁ O COMPRESSOR DE PARAFUSO. Se necessário reverta as conexões do cabo de conexão.**

## Instalação (Continuação)

### LUBRIFICAÇÃO

**⚠ CUIDADO** **ESSA UNIDADE CONTÉM ÓLEO.** Antes de operar o compressor, verifique o nível de óleo (consulte a figura 7).

**⚠ CUIDADO** O uso de qualquer outro tipo de óleo pode encurtar a vida útil da bomba e resultar em danos.

#### Óleo recomendado

Óleo com viscosidade única de compressor de parafuso rotativo ISO46 (número de peça CS0030 - 1 recipiente de galão). Disponível através da Campbell Hausfeld; ligue para 1-855-504-5678 para assistência ao cliente.

#### Capacidade de Óleo

7,95 litros

### NÍVEL DE ÓLEO

**⚠ AVISO** **Desconecte, marque e trave a fonte de energia e depois libere toda a pressão do sistema antes de tentar instalar, realizar serviços, reposicionar ou realizar qualquer manutenção.**



**⚠ AVISO** **RISCO DE QUEIMADURAS!** As peças da unidade, óleo e o plugue de parafuso podem estar em temperaturas acima de 80 °C. Utilize equipamentos de segurança individual (EPI).

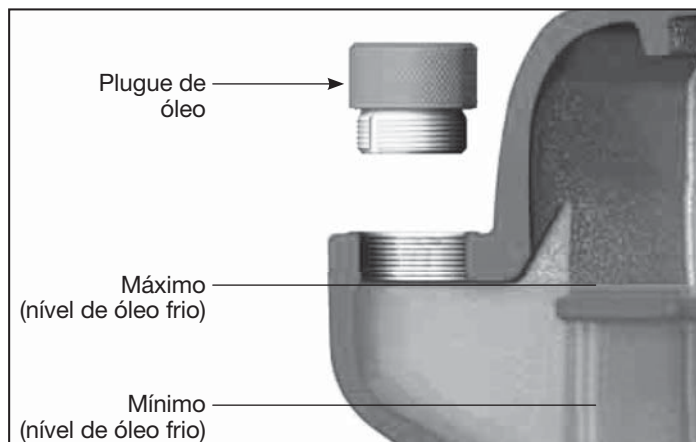


Figura 7 - Nível de óleo

**⚠ CUIDADO** Com óleo quente, o nível de óleo pode ser aproximadamente 3/4 superior do que com óleo frio logo após a descarga.

Um fator importante para a segurança de operação do sistema de compressor é o nível de óleo no reservatório. A verificação de nível de óleo deve ser realizada antes da operação inicial do compressor e depois repetida a cada 100 horas operacionais.

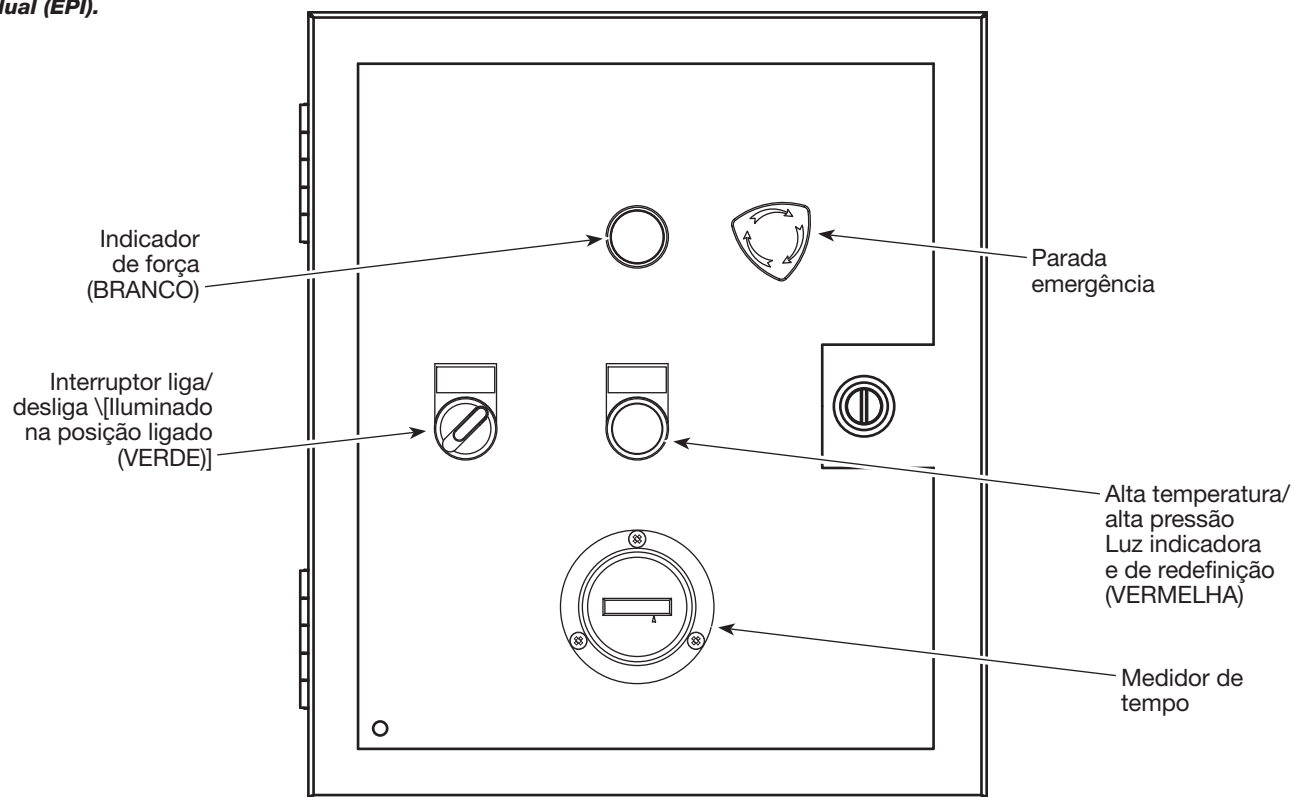


Figura 8 - Painel de controle

## Instalação (Continuação)

### VERIFICAÇÃO DE NÍVEL DE ÓLEO (Consulte a figura 7)

- Verifique o nível de óleo removendo o plugue de óleo.
- Com óleo quente, o nível pode ser superior do que com óleo frio.

Como resultado, o óleo pode escapar quando o plugue de óleo for aberto no nível máximo de óleo. Caso isso aconteça, feche o plugue de óleo imediatamente e limpe cuidadosamente o óleo que vazou.

**OBSERVAÇÃO:** O plugue de óleo é fornecido com um orifício de segurança no lado a partir do qual óleo ou ar saem caso haja pressão residual na extremidade de ar. Aguarde um minuto depois que a unidade estiver pausada antes de abrir o plugue de óleo.

1. Desligue o sistema e evite que ele seja ligado novamente sem autorização.
2. Aguarde um minuto na pausa.
3. Desparafuse o plugue de óleo no gargalo de enchimento com a extremidade de ar despressurizada.
4. Verifique o nível de óleo.
5. Se necessário, complete o óleo do mesmo tipo e mesma marca até o nível máximo (consulte a figura 7 e a seção de lubrificação).

**OBSERVAÇÃO:** O gargalo de enchimento é posicionado de forma que não seja possível encher o sistema além de seu limite. O óleo em excesso transborda pelo gargalo de enchimento.

6. Parafuse o plugue de óleo firmemente à mão.
7. Ative o sistema.
8. Retire e limpe qualquer óleo derramamento.

### INFORMAÇÕES SOBRE PARTIDA

#### ▲ AVISO

**LEIA E COMPREENDA TODAS AS ETAPAS ABAIXO ANTES DE ATIVAR A**

#### ALIMENTAÇÃO.

1. Verifique o nível de óleo (consulte a figura 7).
2. Caso tenham passado mais de 12 semanas desde que o compressor foi operado, a extremidade de ar **deve** escorvada com 236 ml de óleo.

#### ▲ AVISO

**Antes de continuar a operação, o equipamento elétrico e todas as unidades de segurança relevantes devem ser verificados em busca de vazamentos e funções adequadas. Conexões soltas devem ser reapertadas e linhas danificadas devem ser substituídas.**

Sistemas de compressor de parafuso que estejam desativados, desligados ou armazenados por mais de 12 semanas, não podem ser colocados em operação novamente até que as seguintes etapas tenham sido realizadas:

- a. Gire manualmente o compressor de parafuso do módulo compacto na direção de rotação várias vezes.
- b. Com o sistema de compressor parado, adicione aproximadamente 236 ml de óleo (mesmo tipo de óleo da extremidade de ar) na câmara do rotor (consulte a fig. 9).
- c. Novamente, gire manualmente o compressor do módulo compacto na direção de rotação várias vezes.
- d. Verifique o nível de óleo na extremidade de ar e complete caso necessário (consulte a seção de manutenção).

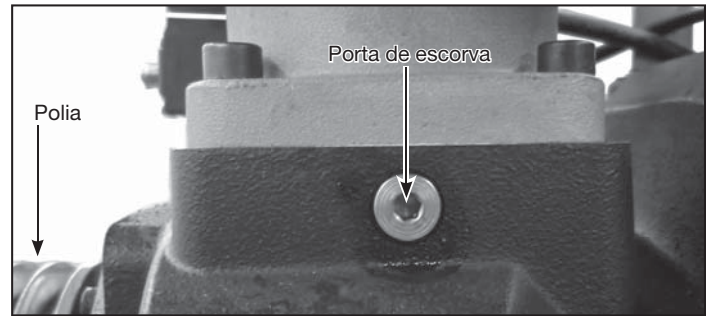


Figura 9 - Local de escorva de extremidade de ar

- e. Monitore a operação do sistema de compressor por no mínimo 15 minutos, pelo menos até uma temperatura fixa ser obtida (temperatura contínua de operação).
3. **A direção de rotação deve ser verificada.** A operação da extremidade de ar por mais de 2 segundos na direção incorreta destruirá o compressor de parafuso.
4. Verifique a direção de rotação ativando rapidamente a energia e pedindo para outra pessoa observar a polia do motor para descobrir em qual direção ela gira. A proteção de correia deve continuar instalada. Além disso, verifique a direção de rotação da ventoinha de resfriamento de óleo. A ventoinha deve sugar o ar do lado de proteção de fios e remover o ar através do radiador ao girar na direção correta. Isso pode ser verificado ao segurar uma pequena faixa de papel na frente do radiador. Com a direção correta de rotação, o papel será soprado para longe do radiador.
5. Redefina o interruptor de parada-E caso necessário (consulte a figura 8).
6. Ative a energia de entrada no disjuntor de circuito/interruptor desconectado. A lâmpada de indicação de energia de entrada branca acenderá. O motor não será ligado com essa etapa.
7. Vire o interruptor de ligar/desligar para a posição "on" (liga). A lâmpada vermelha acenderá a indicação do compressor quando estiver pronto para funcionar. A lâmpada de falha de alta pressão/temperatura VERMELHA se acenderá. O motor não será ligado com essa etapa.
8. Mantenha sua mão no interruptor liga/desliga preparado para desligar o equipamento imediatamente após a partida para verificar a direção de rotação. Além disso, verifique a direção da ventoinha do resfriador.
9. O motor pode agora ser ativado ao pressionar o botão de redefinição de alta temperatura/ alta pressão. A lâmpada vermelha também é um interruptor de contato momentâneo. O motor será ligado com essa etapa.
10. Desative imediatamente o interruptor liga/desliga. O motor será desligado com essa etapa.
11. Caso a direção esteja correta, desconecte, trave e marque toda a energia de entrada. Altere a posição de duas das linhas de energia de entrada e repita as etapas de 5 a 10.
12. Quando a direção de rotação tiver sido confirmada, o compressor estará pronto para funcionar para uma verificação de operação de partida inicial.

## Operação

### VERIFICAÇÃO DE OPERAÇÃO INICIAL

**IMPORTANTE:** a rotação do motor antes de operar compressor.

Após confirmar a direção correta de rotação do principal e da ventoinha de resfriador, o compressor estará pronto para começar a operação de verificação .

Com uma válvula instalada na saída do tanque, feche a válvula isole o tanque a partir do sistema de tubos para que apenas o do compressor seja preenchido com ar comprimido.

1. Ligue o compressor. Confirme a posição da parada E. lâmpada de energia de entrada branca (indicador de energia) deve estar ativada.
2. Vire o interruptor de ligar/desligar para a posição "on" (liga). A luz verde interruptor deve se acender. O compressor será ligado. Caso a luz de alta temperatura/alta pressão esteja acesa, pressione-a redefinir e o compressor será ativado.
3. Deixe que o compressor funcione por 5 minutos. pressão no tanque subirá conforme o compressor funcione.

Á o seguinte:

- a. Quando ativado pela primeira vez, a extremidade de ar acumulará pressão interna antes de enviar ar para o tanque. Isso pode levar 15 a 20 segundos. Você pode perceber uma pequena mudança no som quando a válvula de pressão mínima se abrir na parte interna da extremidade ar, possibilitando que o ar siga para o tanque.
- b. A pressão de ar no tanque subirá até que a pressão máxima pré-definida seja atingida. Ao atingir a pressão máxima, o compressor alternará para o modo descarregado. O nível de ruído mudará para um nível mais silencioso. O ar já não é mais bombeado para o tanque. A válvula de admissão de ar está agora fechada dentro da caixa de filtro de ar. O ar de alta pressão na parte interna da caixa do compressor é enviado lentamente (duração de cerca de 1 minuto) para fora da caixa de filtro de ar possibilitando que o compressor funcione quando estiver ocioso. Você pode ouvir o ar de alta pressão escapar por cerca de 1 minuto. Você poderá visualizar uma pequena quantidade de fumaça de óleo saindo pela entrada. Isso é normal uma vez que uma pequena quantia de óleo pode ser liberada com o ar de alta pressão.

**AVISO** Não remova a caixa de filtro de ar ou realize qualquer manutenção com pressão na extremidade de ar ou tanque de pressão.

- c. Enquanto o compressor está em funcionamento, procure e ouça quaisquer que podem ter se desenvolvido durante o envio manuseio.

**AVISO** RISCO DE QUEIMADURAS! Superfícies e peças irão se aquecer.



4. Possibilite que o compressor funcione por aproximadamente 5 minutos. Desative equipamento usando o interruptor liga/desliga. Deixe o compressor ocioso por mínimo 1 minuto enquanto o ar de alta pressão é liberado através admissão do compressor. Você ouvirá o ar saindo.

**AVISO** Desconecte, marque e trave a fonte de energia e depois libere toda a pressão do sistema antes de tentar instalar, realizar serviços, reposicionar ou realizar qualquer manutenção.



5. Libere toda a pressão de ar do tanque antes realizar qualquer manutenção ou religar o compressor a próxima sequência de funcionamento no item número 8.
6. Deixe que o compressor esfrie e depois verifique o nível de óleo. óleo se necessário.
7. Vede qualquer vazamento de óleo ou ar se necessário.
8. Ligue novamente o compressor de ar. Verifique a posição da parada E. Ative alimentação. Gire o interruptor liga/desliga para a posição ON (liga). Redefina o interruptor de temperatura/alta pressão e o compressor será .
9. Com a válvula na saída do tanque fechada, a pressão do tanque será acumulada no tanque para a pressão de corte. A pressão de ar no tanque subirá até que a pressão máxima pré-definida seja atingida. Ao atingir a pressão máxima, o compressor alternará para o modo descarregado. O nível de ruído ficará em um nível mais silencioso. O ar já não é mais bombeado para o tanque. A válvula de admissão de ar é fechada dentro da caixa de filtro de ar. O ar de alta pressão na parte interna da caixa do compressor é retirado lentamente através da caixa de filtro de ar para permitir que o compressor funcione no modo ocioso. Você pode ouvir o ar de alta pressão escapar por cerca de 1 minuto.
10. Dentro da caixa elétrica, o cronômetro de atraso ocioso começa a acompanhar tempo. Depois de aproximadamente 15 minutos de operação no modo ocioso, o será desligado.
11. Libere a pressão do tanque para a pressão de corte e o compressor será religado automaticamente. A pressão será acumulada no tanque até atingir a pressão de corte e entrará novamente para o modo descarregado. Aguarde por aproximadamente 1 minuto e depois libere um pouco de ar no tanque de ar.

Quando a pressão no tanque cair para a pressão de corte, a válvula de admissão de ar será aberta, possibilitando que o ar seja comprimido e encha novamente o tanque. O cronômetro de atraso ocioso será redefinido para o próximo ciclo.

## Operação (Continuação)

Essa sequência de operação continuará até que o interruptor liga/desliga mude para a operação "OFF" (desligado). Seu Compressor agora está pronto para uso.

**OBSERVAÇÃO:** Todas as bombas de compressor lubrificadas descarregam água condensada e óleo com ar comprimido. Instale equipamentos adequados de remoção de água/óleo e controles conforme necessário para a aplicação desejada.

**NOTA** *A não instalação de equipamentos de remoção de óleo/água adequados pode resultar em danos ao maquinário ou à peça de trabalho.*

### TEMPERATURA AMBIENTE DE OPERAÇÃO

O compressor foi desenvolvido para funcionar em uma temperatura ambiente entre 4 °C e 37 °C. Em temperaturas ambiente abaixo de 4 °C, a unidade deve ser aquecida a no mínimo 21 °C antes da partida.

### PROTEÇÃO

**AVISO**

*A proteção de correia fornecida deve ser instalada na unidade.*



**AVISO**

*Nunca opere o compressor sem uma proteção de correia. Essa unidade pode ser acionada automaticamente sem avisos. Podem ocorrer lesões pessoais ou danos a propriedades devido a contato com partes móveis.*

Todas as peças móveis devem ser protegidas. Todas as tampas elétricas devem ser antes de ativar a energia.

### TANQUE DE DRENAGEM

O condensado deve ser drenado do tanque diariamente.

## Manutenção

Consulte o cronograma de manutenção na página Pt17.

**AVISO**

*Desconecte, marque e trave a fonte de energia e depois libere toda a pressão do sistema antes de tentar instalar, realizar serviços, reposicionar ou realizar qualquer manutenção.*



Para manter a operação eficiente do sistema do compressor, verifique o nível óleo antes de cada uso. A válvula de segurança ASME também deve verificada diariamente (consulte a figura 10). Puxe o anel da válvula de segurança. Assim que a pressão tiver sido aliviada, a válvula de segurança se fechará. Essa válvula libera ar caso a pressão do tanque ultrapasse o máximo é-definido. Caso o ar vaze após o anel ter sido liberado, ou caso a válvula esteja e não possa ser acionada pelo anel, a válvula de segurança ASME deve ser substituída.

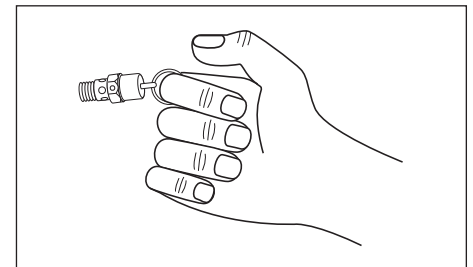


Figura 10 - Válvula de segurança ASME

**AVISO**

*Não viole com a válvula de segurança ASME.*

### TANQUE

**AVISO**

*Nunca tente reparar ou modificar um tanque. Solda, perfuração ou qualquer outra modificação farão com que o tanque enfraqueça, resultando em danos por ruptura ou explosão. Sempre substitua tanques gastos, trincados ou danificados.*



**NOTA**

*Drene o líquido do tanque diariamente.*

O tanque deve ser inspecionado cuidadosamente no mínimo uma vez por ano. Busque por rachaduras próximo às soldas. Caso uma rachadura seja encontrada, remova a pressão do tanque imediatamente substitua-o.

## Manutenção (Continuação)

### TROCA DE ÓLEO

#### ⚠ AVISO

**RISCO DE LESÕES! A unidade é composta de componentes giratórios e pressurizados.**

**Não tente trocar o óleo até que a unidade tenha parado completamente e esteja totalmente despressurizada.**

#### ⚠ AVISO

**Desconecte, marque e trave a fonte de energia e depois libere**

**toda a pressão do sistema antes de tentar instalar, realizar serviços, reposicionar ou realizar qualquer manutenção.**



#### ⚠ AVISO

**RISCO DE QUEIMADURAS! As peças da unidade, óleo e o**

**plugue de parafuso podem estar em temperaturas acima de 80 °C. Utilize equipamento de proteção individual!**



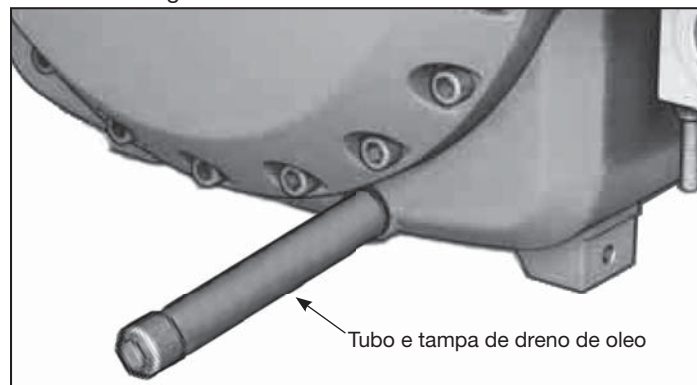
1. Desligue o sistema, evite que ele seja ligado novamente autorização e -o na posição horizontal.
2. Despressurize o tanque e o sistema completamente.
3. Desparafuse o plugue de óleo do gargalo de enchimento manualmente.
4. Desparafuse cuidadosamente a tampa de dreno de óleo e colete o óleo um recipiente adequado.

#### ⚠ CUIDADO

**Descarte o óleo utilizado, o recipiente com óleo contaminado e panos de acordo com**

**regulações locais.**

5. Limpe o parafuso de dreno de óleo para remover qualquer óleo restante. Aperte a tampa de dreno de voltar à posição fechada original.



Tubo e tampa de dreno de óleo

Figura 11 - Dreno de óleo

### FILTRO DE ÓLEO

#### ⚠ AVISO

**RISCO DE LESÕES! A unidade é composta de componentes giratórios e pressurizados.**

**Não tente trocar o óleo até que a unidade tenha parado completamente e esteja totalmente despressurizada.**

#### ⚠ AVISO

**RISCO DE QUEIMADURAS! As peças da unidade, óleo e o**

**plugue de parafuso podem estar em temperaturas acima de 80 °C. Utilize equipamento de proteção individual!**



**OBSERVAÇÃO:** o filtro de óleo em todas as trocas.

1. Desligue o sistema de compressor de parafuso evite que ele seja ligado novamente autorização.

2. Despressurize o sistema completamente.
3. Remova o cartucho do filtro de óleo com uma ferramenta adequada, como, por exemplo, chave de correia de filtro.

#### ⚠ CUIDADO

**Descarte o cartucho de filtro de óleo antigo de acordo com as regulações aplicáveis.**

4. Lubrifique a vedação no novo cartucho de filtro de óleo com o mesmo de óleo da extremidade de ar.
5. O novo cartucho de filtro de óleo deve ser posicionado na vertical e enchido com óleo do mesmo tipo daquele no módulo de compressor de ser parafusado.
6. Parafuse o novo cartucho de filtro de óleo no multibloco e manualmente. Não é necessário utilizar uma ferramenta.
7. Ative o sistema.
8. O filtro de óleo deve ser verificado em busca de vazamentos com o sistema funcionamento.
9. Verifique o nível de óleo conforme explicado anteriormente e a quantidade de óleo faltante novamente para o nível máximo.

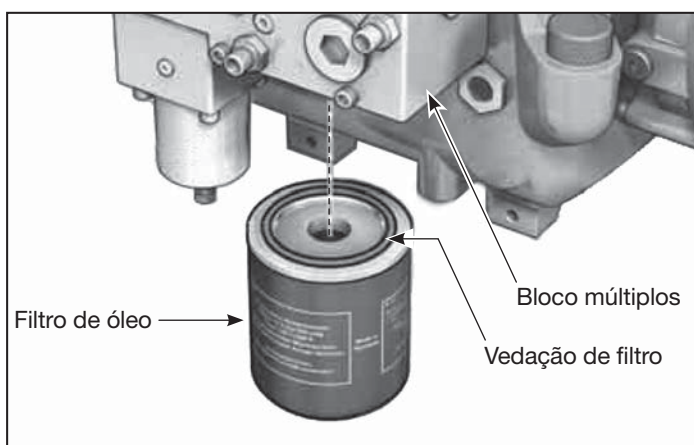


Figura 12 - Filtro de óleo

### ELEMENTO DE SEPARAÇÃO DE AR-ÓLEO

#### ⚠ AVISO

**RISCO DE LESÕES! A unidade é composta de componentes giratórios e pressurizados. Não tente trocar o óleo até que a unidade tenha parado completamente e esteja totalmente despressurizada.**

#### ⚠ AVISO

**RISCO DE QUEIMADURAS! As peças da unidade, óleo e o plugue de parafuso podem estar em temperaturas acima de 80 °C. Utilize equipamento de proteção individual.**



#### ⚠ CUIDADO

**A admissão de ar altamente sujo ou óleo de baixa qualidade sujam o cartucho, o que pode resultar na necessidade prematura de substituição.**

1. Desligue o sistema de compressor de parafuso evite que ele seja ligado novamente sem autorização.
2. Desparafuse o elemento de separação de ar-óleo com uma ferramenta adequada, como, por exemplo, chave de correia de filtro.

## Manutenção (Continuação)

### ⚠ CUIDADO

**Descarte o óleo utilizado, o recipiente com óleo contaminado e panos de acordo com regulações locais.**

3. Lubrifique a vedação no novo elemento de separação de ar-óleo com o mesmo de óleo no compressor de parafuso módulo compacto.
4. Aperte o novo elemento de separação de ar-óleo manualmente. Não é necessário uma ferramenta.
5. Ative o sistema do compressor.
6. O elemento de separação de ar-óleo deve ser verificado em busca de vazamentos com o sistema funcionamento.

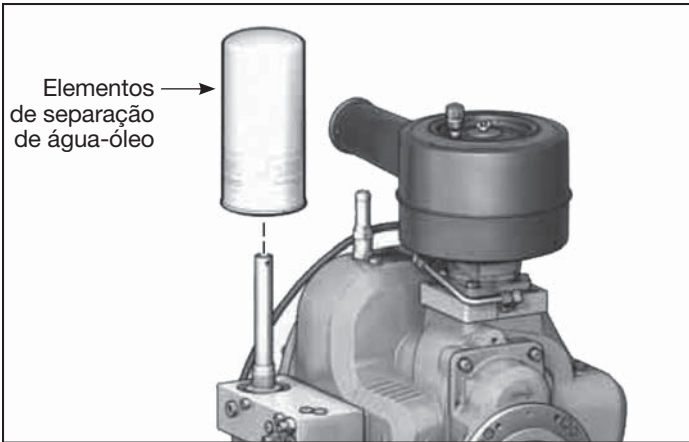


Figura 13 - Elemento de separação de ar-óleo

### ENCHIMENTO COM ÓLEO

### ⚠ CUIDADO

**Lembre-se de utilizar óleo recomendado. Adicione óleo do mesmo tipo e do mesmo fabricante. A mudança para outro tipo de óleo pode exigir lavagem do compressor de parafuso.**

**OBSERVAÇÃO:** o filtro de óleo em todas as trocas.

1. Desligue o sistema e evite que ele seja ligado novamente autorização.
2. Através do gargalo de enchimento no tanque separador, adicione óleo e o nível máximo e encaixe novamente o plugue de parafuso, girando-o no gargalo de enchimento manualmente.
3. Ative o compressor de parafuso e permita que ele funcione aproximadamente três minutos.
4. Desligue o sistema e evite que ele seja ligado novamente autorização.
5. Complete o óleo para o nível máximo.
6. Ative o compressor de parafuso e volte para o uso normal.

### FILTRO DE ADMISSÃO DE AR

### ⚠ AVISO

**Não remova a caixa de filtro de ar ou realize qualquer manutenção com pressão na extremidade de ar ou tanque de pressão.**

Nunca ligue a bomba do compressor sem um filtro de ar de admissão ou com um filtro de ar de admissão entupido. O elemento de filtro de ar deve ser verificado mensalmente

(consulte a figura 14). Operar o compressor com um filtro sujo pode causar alto consumo de óleo e aumentar a contaminação de óleo no ar descarga. Caso o filtro de ar esteja sujo, ele deve ser substituído.

Em caso de ar de admissão muito sujo, substitua e verifique mais frequência.

### ⚠ CUIDADO

**Sujeira e partículas de pó não podem entrar na admissão de ar do módulo do compressor. A admissão de ar deve ser limpa e receber manutenção.**

### ⚠ CUIDADO

**Não é permitido limpar o elemento de filtro; o elemento de filtro deve sempre ser substituído! Descarte o elemento de filtro de ar antigo de acordo com regulações locais.**

1. Desligue o sistema de compressor de parafuso evite que ele seja ligado novamente sem autorização.
2. Desparafuse a porca borboleta e remova a tampa do filtro.
3. Remova o elemento de filtro antigo.
4. Remova cuidadosamente o pó da caixa de filtro.
5. Insira o novo elemento de filtro na caixa do filtro.
6. Instale a tampa do filtro, garantindo posicionando adequado a montagem.
7. Aperte a porca borboleta.
8. Ative o sistema.

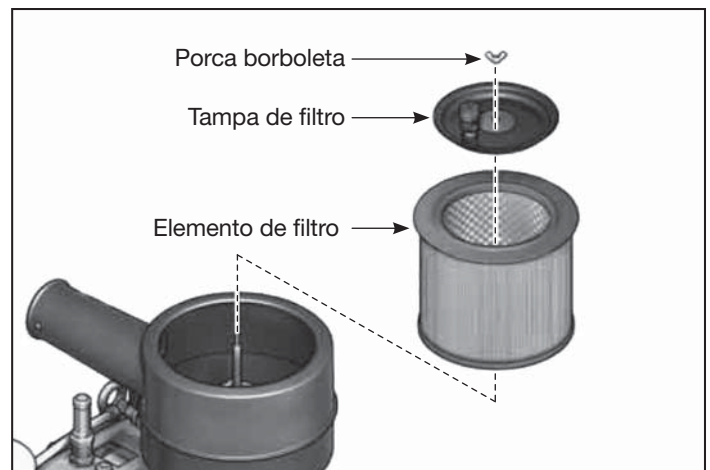


Figura 14 - Filtro de admissão de ar

### RESFRIADOR DE ÓLEO

Semanalmente, verifique o resfriador de óleo para garantir que todos encaixes estejam presos e firmes. Limpe todos os acúmulos de sujeira, pó e outros.



## Manutenção (Continuação)

### COMPONENTES

Desligue toda a energia e limpe a extremidade de ar, motor, hélices da ventoinha, linhas de ar, resfriador de óleo e tanque mensalmente.

### CORREIAS

#### ⚠ AVISO

**Trave e marque a energia, depois libere toda a pressão do tanque para evitar movimentos inesperados da unidade.**

Verifique a tensão de correia a cada 3 meses. Ajuste a tensão da correia para possibilitar deflexão de 3/8 polegadas com pressão normal. Além disso, alinhe as correias uma extremidade plana em relação à face das polias e tocando a beirada de ambos os lados da face. As correias devem estar paralelas a essa plana.

As entradas na placa de apoio possibilitam a movimentação do motor para frente e para trás para ajustar a tensão da correia.

### CRONOGRAMA DE MANUTENÇÃO

A tabela a seguir fornece uma visão geral da manutenção do compressor de parafuso com base nas horas de operação.

Cronograma de manutenção (horário de operação)	Trabalho de manutenção
Antes de começar	<ol style="list-style-type: none"> <li>1. Verifique o nível de óleo na extremidade de ar.</li> <li>2. Escorve a extremidade de ar caso esta não tenha sido utilizada há mais de 12 semanas.</li> </ol>
Diariamente	<ol style="list-style-type: none"> <li>1. Verifique as válvulas de segurança.</li> <li>2. Drene o tanque para remover a água.</li> </ol>
Cada 50 horas de operação	<ol style="list-style-type: none"> <li>1. Verifique o nível de óleo na extremidade de ar.</li> <li>2. Aperte todos os encaixes de tubos e encaixes de terminais de parafusos elétricos; verifique todas as outras conexões para descobrir se estão firmemente posicionadas.</li> </ol>
Cada 100 horas de operação	<ol style="list-style-type: none"> <li>1. Verifique o nível de óleo na extremidade de ar e complete-o caso esteja baixo.</li> <li>2. Observe se há ruídos anormais durante a operação.</li> </ol> <p><b>⚠ AVISO</b> <i>Desligue a unidade imediatamente, localize o problema e corrija-o. Um ruído anormal pode indicar uma situação potencialmente perigosa.</i></p> <ol style="list-style-type: none"> <li>3. Verifique todas as linhas, mangueiras e encaixes de parafusos em busca de vazamentos e danos visíveis na parte externa.</li> </ol> <p><b>⚠ AVISO</b> <i>RISCO DE LESÕES! Corrija vazamentos e danos imediatamente. Não é permitido o reparo de mangueiras hidráulicas.</i></p>
Mensalmente, com demanda normal	<ol style="list-style-type: none"> <li>1. Verifique o elemento do filtro de ar</li> </ol>
Trimestralmente, com demanda normal	<ol style="list-style-type: none"> <li>1. Verifique a tensão da correia</li> </ol>
A cada 2.000 horas de funcionamento ou a cada 1 ano, que quer que ocorra primeiro	<ol style="list-style-type: none"> <li>1. Troque o elemento de separação de ar-óleo.</li> <li>2. Realize uma troca de óleo.</li> <li>3. Troque o filtro de óleo.</li> <li>4. Substitua o elemento de filtro no filtro de ar de admissão.</li> <li>5. Verifique a existência de vazamentos no sistema.</li> <li>6. Limpe o sistema.</li> <li>7. Verifique as correias (substitua conforme necessário).</li> <li>8. Inspeccione as mangueiras.</li> </ol>
A cada 6 anos com demanda normal.	<p>Substitua as linhas das mangueiras.</p> <p><b>⚠ AVISO</b> <i>Não é permitido o reparo de linhas de mangueiras. As linhas de mangueiras DEVEM ser substituídas.</i></p>

## Guia de solução de problemas

SINTOMA	CAUSA	SOLUÇÃO
A unidade não é ligada - Motor não emite qualquer som	1. Energia insuficiente ao compressor	1. A fonte elétrica para o compressor apresenta tensão incorreta, dimensão insuficiente de fio para porte de carga, a caixa de fusíveis ou de disjuntores não são suficientes para atender às exigências de carga até o compressor.
	2. Unidades com cabeamento incorreto.	2. Qualquer cabeamento diferente daquele citado neste manual pode causar um mau funcionamento (consulte a seção Fiação).
	3. Tensão incorreta fornecida à unidade	3. Certifique-se de que a tensão esteja correta com a fiação do motor (consulte a seção Fiação).
	4. Conexões elétricas soltas	4. Todo o sistema elétrico deve ser verificado por um eletricitista certificado. Os fios de entrada e as conexões elétricas do compressor devem ser verificados. Conexões soltas causarão mau funcionamento.
	5. Fiação de dimensão incorreta	5. Verifique se o tamanho do fio está classificado para a corrente do compressor. Códigos locais e estaduais variam bastante e devem ser verificados antes da instalação.
	6. Fusível queimado e/ou disjuntor ativado	6. O disjuntor e os fusíveis necessários para essa unidade devem ser com atraso de tempo. Um disjuntor ativado ou fusível queimado podem resultar de um curto direto no terra, alto uso de corrente, fiação inadequada, fusível incorreto ou tamanho e/ou tipo de disjuntor. Isso precisa ser avaliado por um centro de serviços ou eletricitista certificado.
	7. Sobrecarga de acionador acionado	7. Verifique e redefina caso necessário. Caso a sobrecarga seja acionada após a redefinição inicial, consulte a seção do manual que aborda essa questão.
A unidade liga mas não atinge a velocidade total	1. Energia insuficiente ao compressor	1. A fonte elétrica ao compressor apresenta tensão incorreta, dimensão insuficiente de fios para transmissão de carga, a caixa de fusíveis ou de disjuntor não são suficientes para as exigências de transmissão de carga ao compressor.
	2. Conexões elétricas soltas	2. Todo o sistema elétrico deve ser verificado por um eletricitista certificado. Os fios de entrada e as conexões elétricas do compressor devem ser verificados. Conexões soltas causarão mau funcionamento.
A unidade não produz ar, ou produz em baixa quantidade	1. Válvula de dreno aberta	1. Certifique-se de que a válvula de dreno na parte inferior do tanque esteja fechada.
	2. Vazamento de ar	2. Verifique todo o sistema em busca de vazamentos, incluindo a unidade de compressor e qualquer tubulação conectada ao compressor.
	3. Admissão restrita ou bloqueada	3. Certifique-se de que a admissão de ar do compressor não esteja obstruída de forma alguma.
Unidade emite muitos ruídos	1. Danos ao compressor	1. Verifique para garantir que o compressor não foi danificado no envio ou na instalação. Certifique-se de que a proteção de correia não esteja danificada. A proteção de correia não deve fazer contato com o volante ou com a polia.
	2. Prendedores soltos	2. Verifique todos os parafusos e porcas para garantir que não foram soltos durante o envio.
	3. Polias ou correias soltas	3. Verifique para garantir que polias e volantes estão presos corretamente.
Fumaça de óleo saindo no desligamento	Operação normal	Uma pequena quantidade de óleo pode ser liberada com o ar de alta pressão que escapa pelo filtro de ar.

**AVISO** Não remova a caixa de filtro de ar ou realize qualquer manutenção com pressão na extremidade de ar ou tanque de pressão.



---

**REGISTRE SEU PRODUTO ON-LINE AGORA!**

<http://reg.ch-commercial.com>

---

**Garantia limitada**

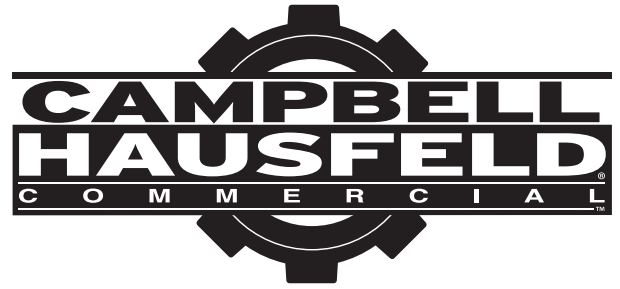
1. **DURAÇÃO:** a partir da data de compra pelo comprador original da seguinte forma: dois anos para a extremidade de ar. Um ano para o equilíbrio do conjunto do compressor.
2. **QUEM FORNECE A GARANTIA (RESPONSÁVEL):** Campbell Hausfeld / Scott Fetzer Company, 100 Production Drive, Harrison, Ohio, 45030, Telefone: (800) 543-6400.
3. **QUEM RECEBE A GARANTIA (COMPRADOR):** O comprador original (para motivos diferentes de revenda) do compressor de ar da Campbell Hausfeld.
4. **QUE PRODUTOS SÃO COBERTOS POR ESSA GARANTIA:** Esse compressor de ar de parafuso rotativo da Campbell Hausfeld.
5. **O QUE ESTÁ COBERTO SOB ESSA GARANTIA:** Defeitos significativos no material e/ou mão de obra, com exceções descritas abaixo.
6. **O QUE NÃO ESTÁ COBERTO SOB ESSA GARANTIA:**
  - A. Garantias implícitas, incluindo aquelas de comerciabilidade ou ADEQUABILIDADE PARA UMA DETERMINADA APLICAÇÃO SÃO LIMITADAS A PARTIR DA DATA DA COMPRA ORIGINAL CONFORME INDICADO NA DURAÇÃO. Alguns países não permitem limitações sobre quanto tempo uma garantia implícita dura, então as limitações acima podem não se aplicar a você.
  - B. QUALQUER DANO OU PERDA INCIDENTAL OU CONSEQUENCIAL OU DESPESA QUE POSSAM RESULTAR DE QUALQUER DEFEITO, FALHA OU MAU FUNCIONAMENTO DO PRODUTO DA CAMPBELL HAUSFELD. Alguns países não permitem a exclusão ou limitações de danos consequenciais ou incidentais, então a limitação ou exclusão acima podem não se aplicar a você.
  - C. Qualquer falha que resulte a partir de um acidente, abuso por parte do comprador, negligência ou não instalação e operação do compressor de acordo com as instruções fornecidas nos manuais do proprietário fornecidos com o compressor
  - D. Serviço de pré-entrega, isso é, montagem, óleo ou lubrificações, além de ajuste
  - E. Itens ou serviços que são normalmente necessários para manutenção do produto, como lubrificantes, filtros e etc.
  - F. Itens descartáveis gerais, como, por exemplo, correias, vedações de eixo, etc.
  - G. Qualquer componente danificado no envio ou dano por contato com ferramentas ou proximidades.
  - H. Equipamentos reparados ou modificados sem autorização da Campbell Hausfeld.
7. **DEVERES DO RESPONSÁVEL SOB ESSA GARANTIA:** Reparar ou substituir, a critério do Responsável, o compressor ou componente que apresente defeitos, mau funcionamento e/ou não esteja dentro das conformidades dentro da duração do período de garantia. Os reparos sob a garantia serão feitos no local do Comprador.
8. **DEVERES DO COMPRADOR SOB ESSA GARANTIA:**
  - A. Fornecer comprovante datado da compra e registros de manutenção.
  - B. Usar de cuidados razoáveis na operação e manutenção dos produtos conforme descrito nos manuais do proprietário.
  - C. Reparos que exijam hora extra, taxas de final de semana ou algo além da taxa de reembolso de mão de obra por trabalho de reparo da garantia padrão.
  - D. Horário necessário para quaisquer verificações de segurança, treinamento de segurança ou similares para a equipe de serviços obterem acesso à instalação.
  - E. O local da unidade deve contar com folga adequada para que a equipe de serviços realize reparos e estar prontamente acessível.
9. **QUANDO O RESPONSÁVEL IRÁ REALIZAR REPAROS OU SUBSTITUIÇÃO SOB ESSA GARANTIA:** Reparos ou substituições serão agendados e realizados de acordo com o fluxo normal de trabalho no local de manutenção e de acordo com a disponibilidade das peças de substituição.

Essa garantia limitada a se aplica aos EUA, Canadá e México e lhe fornece apenas direitos legais específicos. Você também pode ter outros direitos, os quais variam de acordo com seu estado ou país.

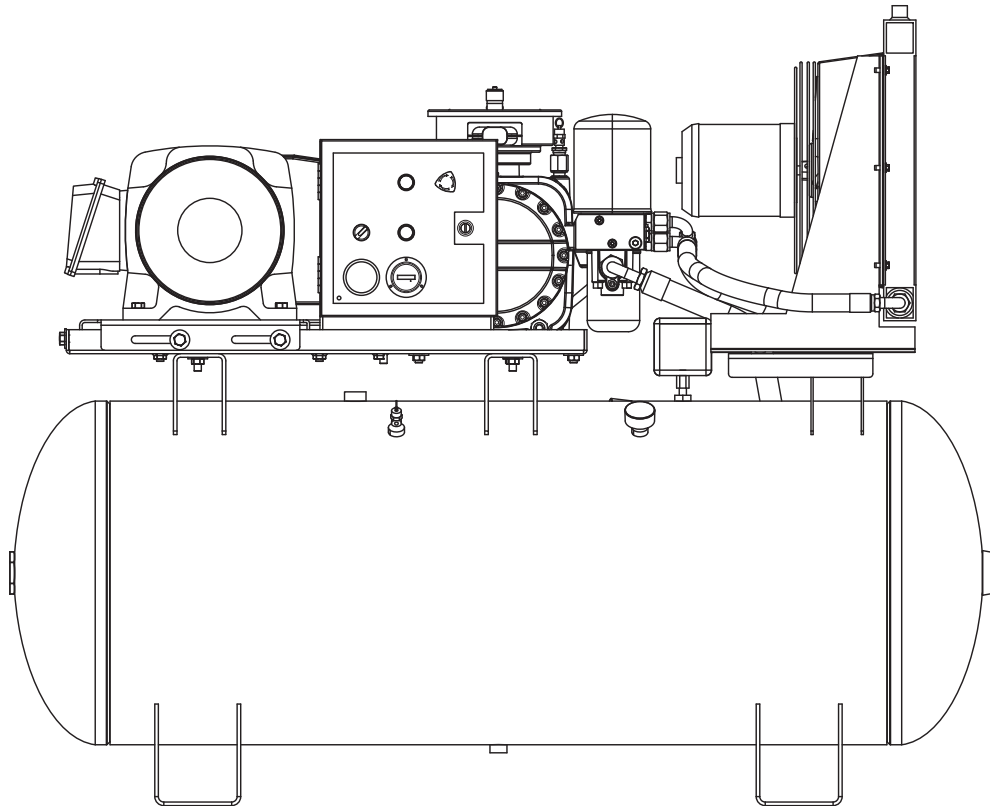
**GARANTIA ESTENDIDA OPCIONAL:** uma garantia estendida contra defeitos de mão de obra e materiais sob uso normal e serviços está disponível da seguinte maneira:

10. **DURAÇÃO:** a partir da data de compra pelo comprador original da seguinte forma: Três anos.
  11. **O QUE ESTÁ COBERTO POR ESSA GARANTIA ESTENDIDA:** Defeitos em material ou mão de obra dos itens a seguir:
    - A. Extremidade de ar
    - B. Unidade de resfriador de óleo
    - C. Receptor de ar (tanque)
    - D. Mão de obra pelo primeiro ano, e peças apenas pelo primeiro ano.
  12. **DEVERES DO COMPRADOR SOB ESSA GARANTIA ESTENDIDA:**
    - A. Um formulário de registro de garantia da Campbell Hausfeld adequadamente preenchido. O formulário de registro está disponível no endereço <http://reg.ch-commercial.com> e deve ser enviado dentro de trinta dias a partir da partida para ser elegível para garantia estendida.
    - B. Manutenção/serviço de peças e fluidos – O compressor da série CS deve receber manutenção e serviços de acordo com o manual de operações. Fluidos e peças originais da Campbell Hausfeld devem ser usados ou a garantia estendida será anulada. O comprovante de compra de peças e fluidos de serviço originais deve ser guardado pela duração do período da garantia estendida.
    - C. Uma amostra de óleo deve ser enviada com uma solicitação de garantia de extremidade de ar.
-

# Compresores de Aire de Tornillo Rotativo



Compresores de Tornillo Rotativo Serie CS



## Índice

Medidas de Seguridad . . . . .	Es2
Símbolos de Seguridad . . . . .	Es2
Importantes Instrucciones de Seguridad . . . . .	Es2
Especificaciones . . . . .	Es2
Conozca su Compresor . . . . .	Es4
Desempaque . . . . .	Es7
Instalación . . . . .	Es7
Diagrama Eléctrico . . . . .	Es9
Funcionamiento . . . . .	Es13
Mantenimiento . . . . .	Es14
Guía de Resolución de Problemas . . . . .	Es18
Garantía Limitada . . . . .	Es20

## Referencia Rápida

### ACEITE

Aceite para compresor rotativo de tornillo monogrado ISO46 (Número de parte CS0030 - Contenedor de 1 galón). Disponible en Campbell Hausfeld, por favor contacte a su distribuidor local Campbell Hausfeld.

### CAPACIDAD DE ACEITE

7,95 litros

## GUARDE ESTA INFORMACIÓN PARA REFERENCIA FUTURA

Número de Serie:

Nº del Modelo:

Fecha de Compra:

## Medidas de Seguridad

Este manual contiene información que es muy importante que se conozca y comprenda. Esta información se proporciona con fines de SEGURIDAD y para EVITAR PROBLEMAS CON EL EQUIPO. Para ayudar a reconocer esta información, observe los siguientes símbolos.

**▲ PELIGRO** Peligro indica una situación **inminentemente peligrosa, que si no se evita, dará como resultado la muerte o lesiones graves.**

**▲ ADVERTENCIA** Advertencia indica una **situación potencialmente peligrosa, que si no se evita, PODRÍA ocasionar la muerte o lesiones graves.**

**▲ PRECAUCIÓN** Precaución indica una **situación potencialmente peligrosa, que si no se evita, PUEDE dar como resultado lesiones leves o moderadas.**

**AVISO** Aviso indica una **información importante, que de no seguirla, le podría ocasionar daños al equipo.**

**IMPORTANTE:** información que requiere atención especial.

## Símbolos de Seguridad

Los siguientes símbolos de seguridad aparecen a lo largo de este manual para advertirle de importantes peligros y precauciones de seguridad.



Use protección para los ojos y máscara



Lea primero el manual



Riesgo de incendio



Riesgo de piezas móviles



Riesgo de piezas calientes



Riesgo de explosión



Riesgo de vapores



Riesgo de presión



Riesgo de choque eléctrico

**Sírvase leer y guardar estas instrucciones. Lea con cuidado antes de tratar de armar, instalar, manejar o darle servicio al producto descrito en este manual. Protéjase Ud. y a los demás observando todas las reglas de seguridad. El no seguir las instrucciones podría resultar en heridas y/o daños a su propiedad. Guarde este manual como referencia.**

## Importantes Instrucciones de Seguridad

Este manual contiene información sobre seguridad, funcionamiento y mantenimiento. Si tiene preguntas, llame al 1-855-504-5678 para obtener asistencia al cliente.

### PROPOSICIÓN 65 DE CALIFORNIA

**▲ ADVERTENCIA** Este producto, o su cordón eléctrico, puede contener productos químicos conocidos por el estado de California como causantes de cáncer y defectos de nacimiento u otros daños reproductivos. Lave sus manos después de usar.

**▲ ADVERTENCIA** Cuando corta lija, taladra o pule materiales como por ejemplo madera, pintura, metal, hormigón, cemento, u otro tipo de mampostería se puede producir polvo. Con frecuencia este polvo contiene productos químicos que se conocen como causantes de cáncer, defectos congénitos u otros daños reproductivos. Use equipo de protección.



## ▲ PELIGRO

### Advertencia Sobre el Aire Respirable

Este compresor/cabezal no viene listo de fábrica para suministrarle aire respirable. Antes de utilizarlos con este fin, deberá instalarle un sistema de seguridad y alarma incorporado a la línea. Este sistema adicional es necesario para filtrar y purificar el aire adecuadamente, para cumplir con las especificaciones mínimas sobre aire respirable de Grado D descritas en la Especificación de Productos G 7.1 de la Asociación de Aire Compri-mido. Igualmente, deberá cumplir los requisitos establecidos por el Artículo 29 CFR 1910. 134 de la Organización norteamericana OSHA y/o la Canadian Standards Associations (CSA).

### RENUNCIA A LAS GARANTIAS

Si el compresor se utiliza para producir aire respirable SIN haberle instalado el sistema de seguridad y alarma, todas las garantías se anularán y la compañía Campbell Hausfeld no asumirá NINGUNA responsabilidad por pérdidas, heridas personales o daños.

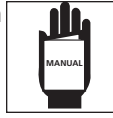
## Especificaciones

Modelo	Caballos de Potencia	Voltaje	Fases	Suministro de Aire @ 10,34 bar Presión de operación	Tamaño del tanque (litros)
CS2152	15	208	3	1302,6 l/min	454,2
CS2153	15	230	3	1302,6 l/min	454,2
CS2154	15	460	3	1302,6 l/min	454,2
CS2202	20	208	3	1925,6 l/min	454,2
CS2203	20	230	3	1925,6 l/min	454,2
CS2204	20	460	3	1925,6 l/min	454,2
CS2252	25	208	3	2463,6 l/min	454,2
CS2253	25	230	3	2463,6 l/min	454,2
CS2254	25	460	3	2463,6 l/min	454,2

## Importantes Instrucciones de Seguridad (Continuación)

### INFORMACIONES GENERALES DE SEGURIDAD

- ◆ Lea con cuidado todos los manuales incluidos con este producto. Familiarícese con los controles y el uso adecuado del equipo.
- ◆ Siga todos los códigos de seguridad laboral y electricidad establecidos en su país, por ejemplo, los de la NEC y OSHA en EUA.
- ◆ Este compresor sólo debe ser usado por personas que estén bien familiarizadas con las reglas de seguridad de manejo.
- ◆ Mantenga a los visitantes alejados y NUNCA permita la presencia de niños en el área de trabajo.
- ◆ Siempre use anteojos de seguridad y protéjase los oídos para operar el cabezal o el compresor.
- ◆ No se pare sobre la unidad ni la use como asidero.
- ◆ Los dispositivos de protección acondicionados a este compresor se suministran para ofrecer una operación segura. El operador es completamente responsable de su seguridad personal en todo momento. Este tipo de dispositivos solo deben ser ajustados por un agente de servicio autorizado.
- ◆ Antes de cada uso, inspeccione el sistema de aire comprimido y los componentes eléctricos para ver si están dañados, deteriorados, desgastados o tienen fugas. Repare o reemplace las piezas dañadas antes de usar el equipo.
- ◆ Chequee todas las conexiones frecuentemente para cerciorarse de que estén bien apretadas.



**⚠ ADVERTENCIA** Los motores, equipos eléctricos y controles, pueden ocasionar arcos eléctricos que se encenderían con gases o vapores inflamables. Nunca utilice o repare el compresor cerca de gases o vapores inflamables. Nunca almacene líquidos o gases inflamables cerca del compresor.



**⚠ ADVERTENCIA** Nunca utilice el compresor sin la tapa de las bandas. Los compresores se pueden encender automáticamente sin previo aviso. Las piezas en movimiento podrían ocasionarle heridas o daños a su propiedad.



- ◆ No se ponga ropa muy holgada o joyas, ya que éstas se le podrían enredar en las piezas en movimiento.

**⚠ PRECAUCION** Las piezas del compresor podrían estar calientes, inclusive cuando la unidad esté apagada.



- ◆ Mantenga los dedos alejados del compresor cuando éste esté funcionando; las piezas en movimiento o calientes, le ocasionarían heridas y/o quemaduras.
- ◆ Si el equipo comienza a vibrar excesivamente, APAGUE el motor y chequéelo inmediatamente para determinar la razón. Generalmente, la vibración excesiva se debe a una falla.
- ◆ Para reducir el peligro de incendio, mantenga la parte exterior de la maquina/motor libre de aceite, solvente o exceso de grasa.

**⚠ ADVERTENCIA** Es obligación instalar en la tubería de aire o en el tanque de este compresor

una válvula de desfogue según las normas de seguridad ASME con ajuste no superior a la Presión Máxima Admisible de Trabajo (MAWP) del tanque. Esta válvula debe estar diseñada para los valores máximos de flujo y presión para proteger los componentes contra el peligro de explosión. Los límites máximos del flujo se indican en el manual de repuestos. La válvula de seguridad del sistema de enfriamiento interno no protege el sistema.

**⚠ ADVERTENCIA** La presión máxima de operación es de 10,34 bar. No opere el compresor con el interruptor de presión o las válvulas piloto ajustadas más allá de los valores de fábrica.

- ◆ Nunca trate de ajustar la válvula de seguridad ASME. Evite que se le acumule pintura u otro residuos.

**⚠ ADVERTENCIA** ¡Nunca trate de reparar o modificar el tanque! Si lo suelda, taladra o modifica de cualquier otra manera, el tanque se debilitará y podría romperse o explotar. Siempre reemplace los tanques desgastados, rotos o dañados.



### AVISO

**Drene el líquido del tanque diariamente.**

- ◆ Los tanques se oxidan debido a la acumulación de humedad y ésto debilita el tanque. Cerciórese de drenar el tanque con regularidad e inspeccionarlo periódicamente, para ver si está en malas condiciones, por ejemplo, si está oxidado.
- ◆ La circulación rápida de aire podría levantar polvo y desperdicios dañinos. Siempre libere el aire lentamente para drenar el tanque o liberar la presión del sistema.

### PRECAUCIONES PARA ROCIAR

**⚠ ADVERTENCIA** Nunca rocíe materiales inflamables cerca de llamas al descubierto o fuentes de ignición, incluyendo el compresor.



- ◆ No fume mientras esté rociando pintura, insecticidas u otras sustancias inflamables.
- ◆ Use una máscara/respirador cuando vaya a rociar y siempre rocíe en un área bien ventilada, para evitar peligros de salud e incendios.
- ◆ Nunca rocíe pintura ni otros materiales, directamente hacia el compresor. Coloque el compresor lo más lejos posible del área de trabajo, para minimizar la acumulación de residuos en el compresor.
- ◆ Al rociar o limpiar con solventes o químicos tóxicos, siga las instrucciones del fabricante de dichos químicos.



### GUARDE ESTAS INSTRUCCIONES – NO LAS DESECHE

Los símbolos de **PELIGRO, ADVERTENCIA, PRECAUCIÓN, y AVISO** y las instrucciones en este manual no pueden posiblemente cubrir todas las condiciones y situaciones posibles que puedan presentarse. El operador debe entender que la precaución es un factor que no puede ser incluido en el producto, sino que debe ser proporcionada por el operador.

## Conozca su Compresor

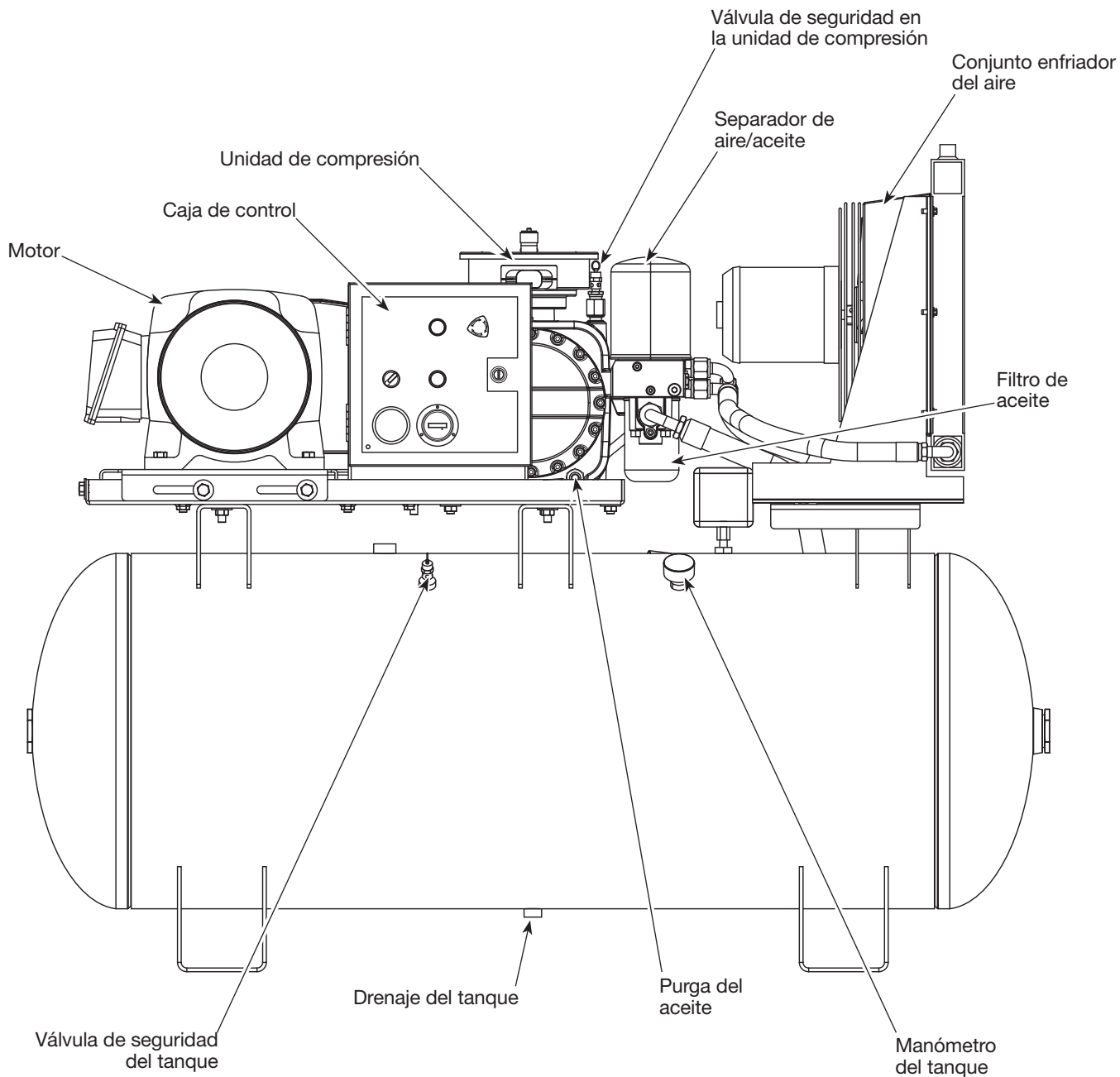


Figura 1 - Componentes del compresor



**Conozca su Compresor**

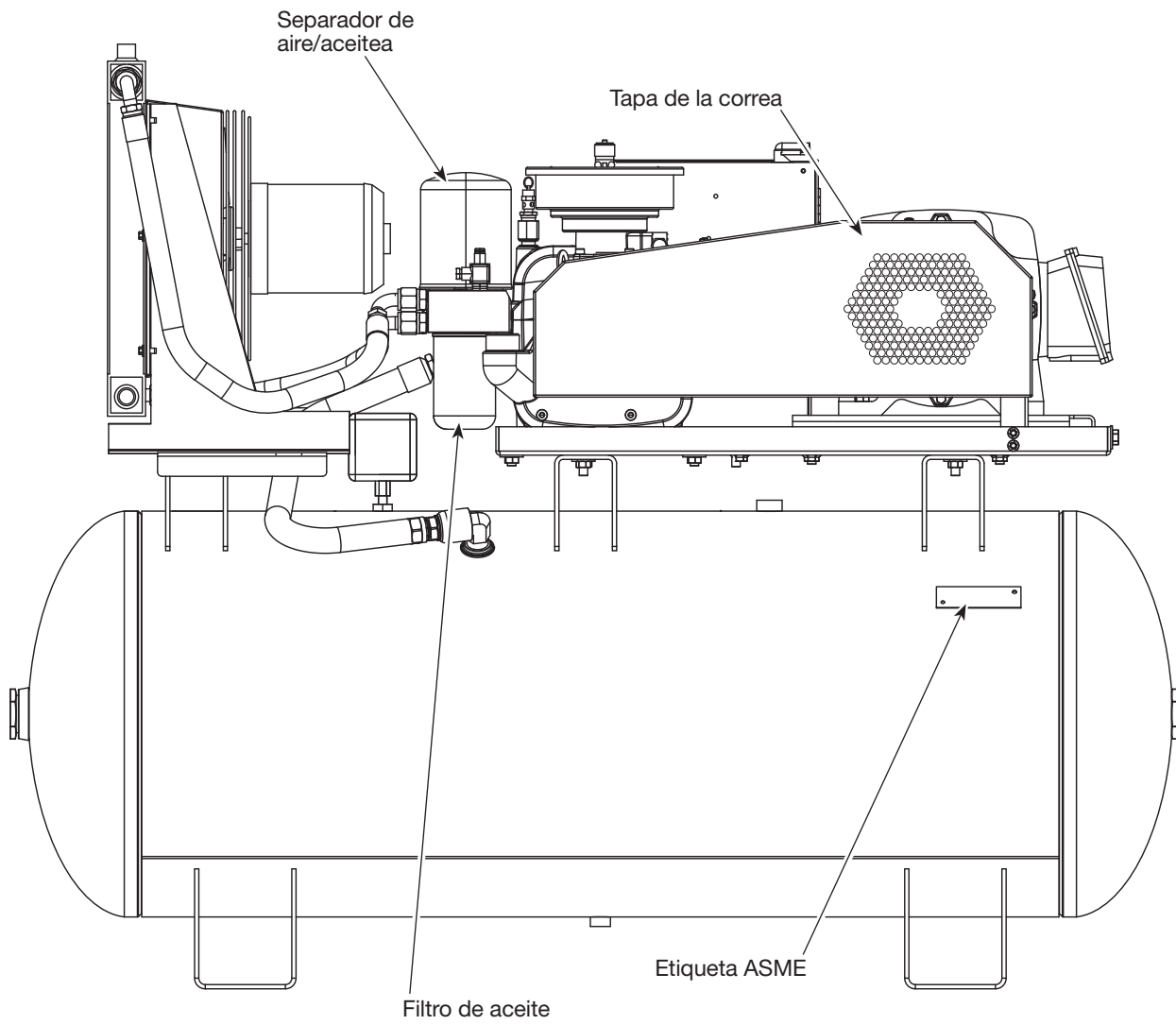


Figura 2 - Componentes del compresor

## Conozca su Compresor

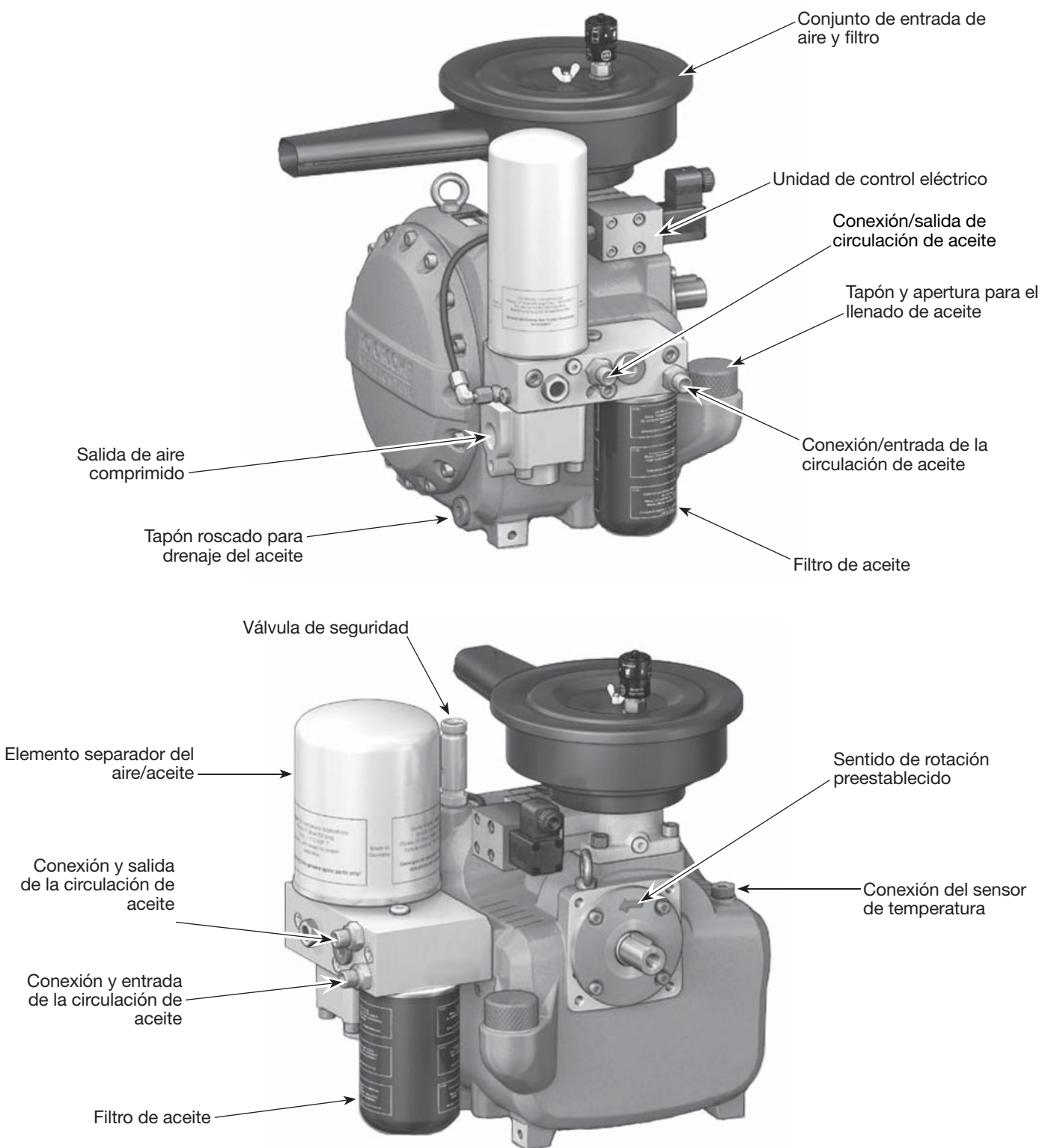


Figura 3 - Componentes de la unidad de compresión

## Desempaque

**▲ PRECAUCION** *Nunca alce o mueva la unidad sin usar un equipo adecuado. Cerciórese de que la unidad esté bien segura. No la tome por los tubos o piezas del sistema de enfriamiento para levantarla. No use la unidad para alzar otros equipos.*

Después de desempacar la unidad, inspecciónela cuidadosamente para detectar cualquier daño que pueda haber ocurrido durante el envío. Verifique que no haya piezas sueltas, faltantes ni dañadas. Asegúrese de que todos los accesorios proporcionados vengan con la unidad. En caso de que tenga preguntas, o de que haya piezas dañadas o faltantes, llame a 1-855-504-5678 para obtener asistencia al cliente.

**▲ ADVERTENCIA** *No debe utilizar la unidad si se ha dañado durante el envío, manejo o uso. Los daños podrían ocasionar una explosión y ocasionarle heridas o daños a su propiedad.*

## Instalación

**▲ ADVERTENCIA** *Desconecte el cordón eléctrico, amárrelo y aléjelo del tomacorrientes, después libere toda la presión del tanque antes de tratar de instalar el compresor, darle servicio, moverlo de sitio o darle cualquier tipo de mantenimiento.*



**▲ PRECAUCION** *Nunca alce o mueva la unidad sin usar un equipo adecuado. Cerciórese de que la unidad esté bien segura. No la tome por los tubos o piezas del sistema de enfriamiento para levantarla. No use la unidad para alzar otros equipos.*

**▲ PRECAUCION** *Nunca utilice la plataforma de embalaje para montar el compresor.*

### ELECCIÓN DEL LUGAR

Realice la instalación y opere la unidad cuando menos a 92 cm de cualquier obstrucción, en un área limpia y ventilada. La temperatura del aire ambiente no deberá exceder los 38° C (100° F) o caer por debajo de 4° C (40° F). Esto asegurará un flujo de aire sin obstrucciones para el enfriamiento del compresor y permitirá el espacio adecuado para el mantenimiento.

**▲ PRECAUCION** *Nunca coloque la entrada de aire del compresor cerca de un área donde haya vapor, donde se rocíe pintura o arena, o haya otras fuentes de contaminación.*

**NOTA:** Cuando utilice el compresor en un ambiente cálido y húmedo le debe suministrar aire limpio y seco del exterior al cabezal. Utilice una tubería para suministrarle el aire del exterior.

### MONTAJE DEL TANQUE

El tanque debe de ser atornillado a una superficie plana y lisa de concreto o sobre una cimentación independiente.

Si se emplean apoyos de amortiguación, **no apriete las tuercas demasiado fuerte**. Permita que los bloques de amortiguación absorban las vibraciones. Cuando se utilizan aislantes de vibraciones, se requiere el empleo de una manguera o acoplamiento flexible entre el tanque y la tubería de servicio.

**▲ ADVERTENCIA** *Una instalación inadecuada del tanque puede derivar en la fisura de los puntos de soldadura en las uniones y un posible estallido.*

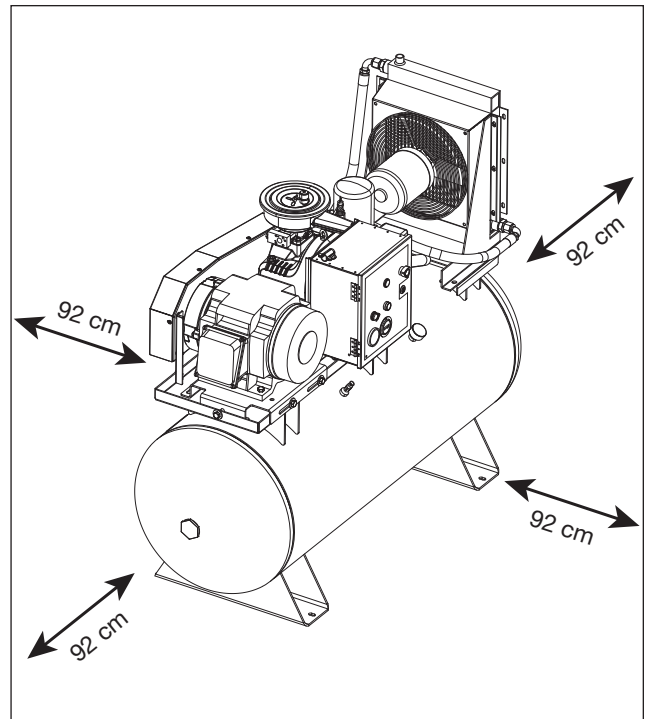


Figura 4 - Ubicación

## Instalación (Continuación)

### TUBERIAS

**⚠ ADVERTENCIA** *Nunca use tuberías de plástico (PVC) con aire comprimido. Esto podría ocasionarle heridas graves.*

Cualquier tipo de tuberías o manguera que conecte al compresor deben estar diseñados para el tipo de temperaturas y presiones generadas. Todos los componentes presurizados del sistema de aire deben tener una clasificación de presión de 13,79 bar (200 psi) o superior. Si selecciona e instala una tubería o manguera incorrecta, éstas podrían explotar y ocasionarle heridas. Para conectar las tuberías al tanque, utilice conexiones del mismo tamaño que el orificio de salida.

### PARA INSTALARLE UNA VALVULA DE CIERRE

Debe instalarle una válvula de cierre en la salida del tanque para controlar el flujo de aire que sale del tanque. La válvula se debe colocar entre el tanque y las tuberías.

**⚠ ADVERTENCIA** *Nunca instale una válvula de cierre entre el cabezal y el tanque. Esto le podría ocasionar heridas y/o daños a su propiedad. Nunca use reductores en las tuberías de salida.*

Cuando vaya a instalar un sistema permanente de distribución de aire comprimido, debe calcular la longitud total del sistema y seleccionar las tuberías adecuadas según la tabla que le ofrecemos en este manual. Las tuberías se deben instalar bajo el nivel de congelamiento, para evitar que creen vacío donde se pueda concentrar la condensación y se congelen.

Aplíquese presión de aire a las tuberías y cerciórese de que ninguna conexión tenga fugas ANTES de cubrirlas. Antes de utilizar el compresor, cerciórese de que no haya fugas en las tuberías y conexiones y repárelas de haberlas.

### ALAMBRADO (ver los diagramas eléctricos en la página Es9)

**⚠ ADVERTENCIA** *Todo el cableado e instalaciones eléctricas deberán ser realizados por un electricista calificado familiarizado con los controles de motores de inducción. Las instalaciones se deben hacer según los códigos locales y nacionales.*

**⚠ ADVERTENCIA** *Si el sistema de alambrado no se instala adecuadamente podría ocasionar sobrecalentamiento, cortocircuitos e incendios.*

El alambrado se debe hacer según todos los códigos nacionales de electricidad y los reglamentos sobre artefactos eléctricos y de alambrado. Consúltelo a un técnico especializado en la materia y cumpla con todas la ordenanzas. Cerciórese de usar los cables adecuados y de que:

1. El amperaje sea adecuado.
2. La línea de suministro eléctrico sea similar a la del motor (voltaje, ciclaje y fases).
3. Los alambres sean del calibre adecuado y de que no hayan otros artefactos eléctricos conectados a la misma línea. Aquí le ofrecemos una tabla con los tamaños adecuados para instalar el compresor.

### TAMAÑO MÍNIMO DE LAS TUBERÍAS DE LAS LÍNEAS DE AIRE COMPRIMIDO

l/min	Longitud de las Tuberías			
	7,62 m	15,24 m	30,48 m	76,2 m
283,2	12,7 mm	12,7 mm	19,1 mm	19,1 mm
566,3	19,1 mm	19,1 mm	19,1 mm	2,54 cm
1132,7	19,1 mm	2,54 cm	2,54 cm	2,54 cm
1699,0	19,1 mm	2,54 cm	2,54 cm	2,54 cm
2831,7	2,54 cm	2,54 cm	2,54 cm	3,18 cm



Figura 5 - Válvula de cierre

### TAMAÑO MÍNIMO DEL CABLE (UTILICE CABLE DE COBRE DE AL MENOS 75 °C)

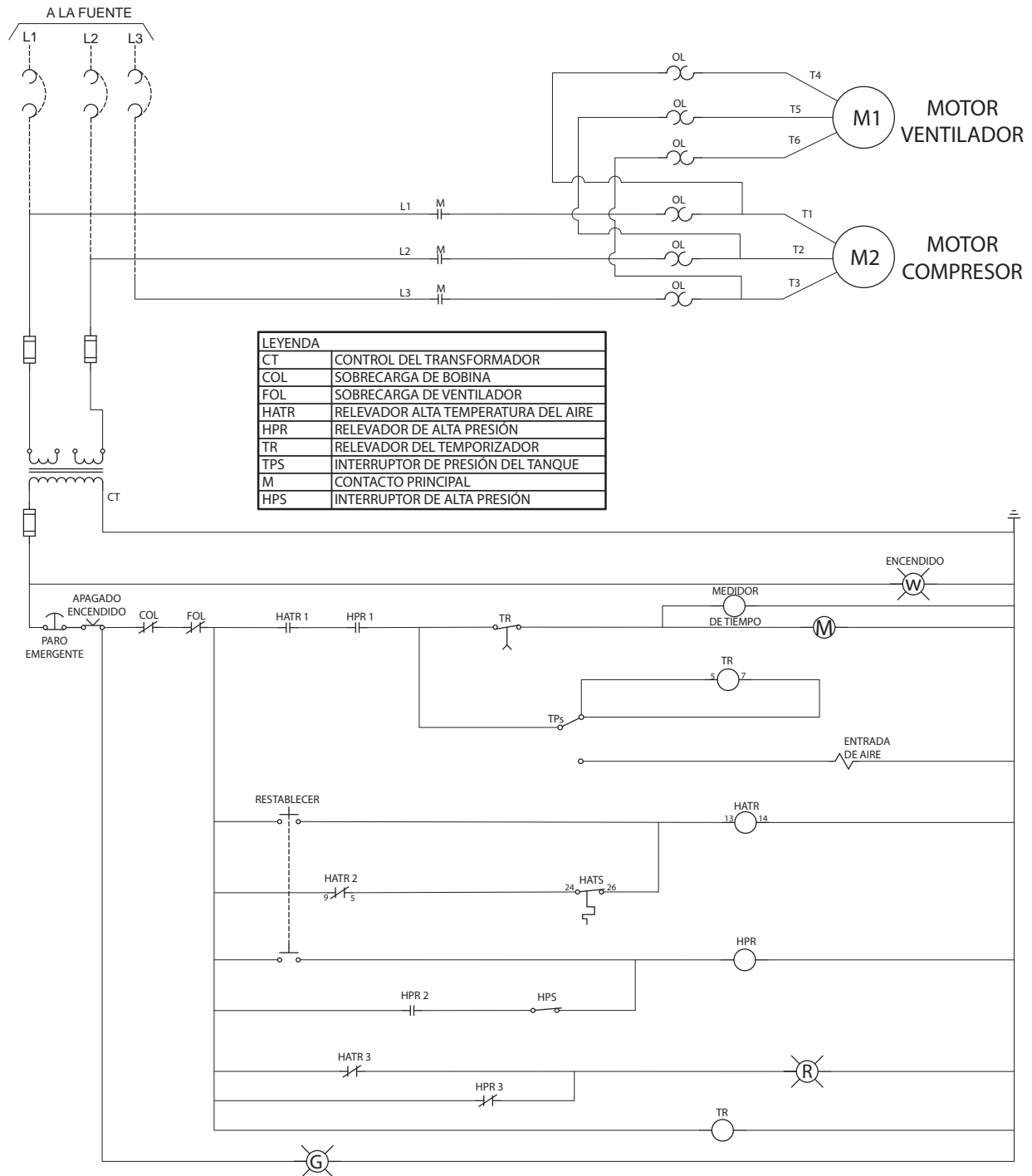
Asegúrese de que el voltaje concuerde con el cableado del motor.

**NOTA:** Si usa corriente monofásica de 208 voltios, asegúrese de que la placa de nombre del motor diga que está clasificado para corriente monofásica de 208 voltios. Los motores para corriente monofásica de 230 voltios no funcionan con 208 voltios a menos que tengan la clasificación de 208 voltios.

CP	Triphasé	
	208/230V	460/575V
5	12 AWG	14 AWG
7.5	10 AWG	12 AWG
10	8 AWG	12 AWG
15	6 AWG	10 AWG
20	3 AWG	8 AWG
25	3 AWG	8 AWG

**Los tamaños de cable recomendados pueden ser más grandes que el mínimo establecido por ordenanzas locales. Si fuera así, debe usarse el cable de mayor tamaño para evitar un descenso excesivo de voltaje en la línea. El costo adicional de los cables es muy bajo comparado con el costo de la reparación o cambio de un motor subalimentado por el uso de cables de suministro demasiado pequeños.**

**Diagrama Eléctrico**



EL CIRCUITO DERIVADO DE PROTECCIÓN Y DESCONEXIÓN DEBE SER PROPORCIONADO POR EL INSTALADOR. INSTALAR DE ACUERDO CON TODOS LOS CÓDIGOS LOCALES, ESTATALES Y NACIONALES

LAS TERMINALES PARA CABLEADO DE CAMPO SOLO DEBEN USAR CONDUCTORES DE COBRE CON RESISTENCIA MÍNIMA DE 90 °C. APRETAR LOS TORNILLOS DEL CABLEADO DE CAMPO CON UN PAR DE 25 LB-PULG.

## Instalación (Continuación)

### PONER A TIERRA

**⚠ ADVERTENCIA** *Los choques eléctricos son causados por la inadecuada puesta a tierra de los componentes. Verifique que todos los componentes se encuentran aterrizados de manera adecuada para prevenir lesiones serias o incluso la muerte.*



Este producto **debe** ser puesto a tierra. Aterrizarlo reduce el riesgo de electrocución mediante el suministro de una línea de escape, en caso de un cortocircuito. Este producto debe ser instalado y operado con cableado adecuadamente aterrizado.

### DISYUNTORES Y FUSIBLES

Todo el sistema eléctrico deberá ser revisado por un electricista certificado. Se requiere del uso de fusibles o disyuntores (interruptores diferenciales) para este compresor. Un disyuntor previamente disparado o un fusible fundido pueden indicar un corto a tierra, alto consumo de corriente, cableado inadecuado, un fusible equivocado o un disyuntor de tamaño o tipo inadecuado. Esto debe ser evaluado por un electricista certificado.

### CONEXIÓN DEL MOTOR E INSTALACIÓN DEL ARRANCADOR

La protección de la ramificación del circuito debe realizarse como se especifica en el capítulo 2 del Código Eléctrico Nacional de los Estados Unidos (NEC por sus siglas en Inglés), en "Diseño y Protección del Cableado (Wiring Design and Protection)". Artículo 210, usando el artículo aplicable para "Motores y Controladores de Motores," (Artículo 430, Tabla 430-1 52).

### DIRECCIÓN DE ROTACIÓN

**NOTA: EL SENTIDO DE ROTACIÓN EQUIVOCADO CAUSARÁ LA AVERÍA DEL COMPRESOR.**

La dirección de rotación debe ser en sentido opuesto a las manecillas del reloj (tal como lo muestra la flecha en la unidad de compresión Figura 6) vista frontal desde el lado del volante del motor de la bomba

La dirección de rotación del motor trifásico puede invertirse al intercambiar cualquiera de las dos líneas conductoras del motor.

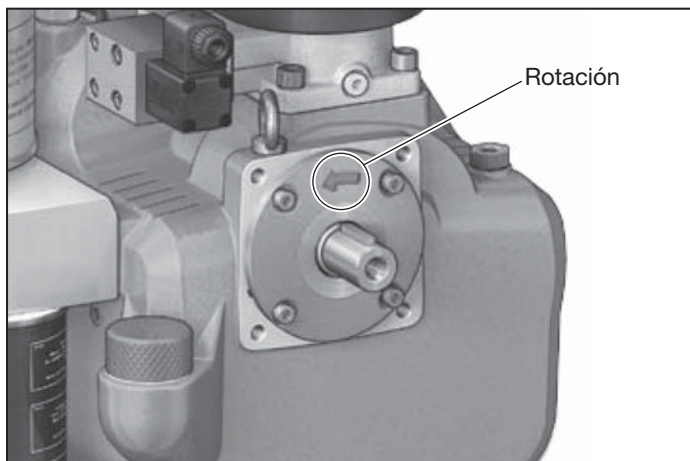


Figura 6 - Sentido de rotación

### VERIFICANDO EL SENTIDO DE ROTACIÓN

**SENTIDO DE ROTACIÓN:** hacia la izquierda (en sentido contrario a las manecillas del reloj) con la vista hacia el eje.

**⚠ PRECAUCION** *El sentido de rotación del sistema de compresor de tornillo debe de ser inspeccionado durante su primer funcionamiento y siempre que se realicen cambios al suministro de la línea eléctrica para el motor de accionamiento. Para este propósito, accione brevemente el interruptor del motor y apáguelo inmediatamente. LA ROTACIÓN POR MÁS DE 2 SEGUNDOS EN EL SENTIDO EQUIVOCADO DE ROTACIÓN DESTRUIRÁ EL TORNILLO COMPRESOR. DE SER NECESARIO, INVIERTA LOS CONECTORES DEL CABLE DE SUMINISTRO ELÉCTRICO.*

### LUBRICACIÓN

**⚠ PRECAUCION** *ESTA UNIDAD UTILIZA ACEITE. Antes de poner en funcionamiento el compresor, revise el nivel del aceite (ver Figura 7).*

**⚠ PRECAUCION** *Utilizar cualquier otro tipo de aceite puede disminuir la vida de la bomba y causar daños.*

Aceite recomendado
Aceite monogrado ISO46 para compresor de tornillo (número de parte CS0030 - contenedor de 1 galón). Disponible en Campbell Hausfeld. Llame al departamento de asistencia al consumidor al 1-855-504-5678.
Capacidad de aceite
7,95 litros

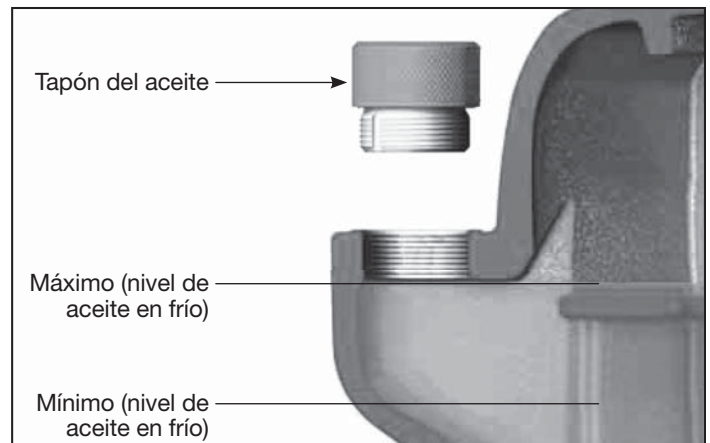


Figura 7 - Nivel de Aceite

## Instalación (Continuación)

### NIVEL DE ACEITE

**⚠ ADVERTENCIA** *Desconecte el cordón eléctrico, amárrelo y aléjelo del tomacorrientes, después libere toda la presión del tanque antes de tratar de instalar el compresor, darle servicio, moverlo de sitio o darle cualquier tipo de mantenimiento.*



**⚠ ADVERTENCIA** *La inadecuada puesta a tierra PROVOCA RIESGO DE LESIONES POR QUEMADURA. Las piezas de la unidad, el aceite y el tapón roscado pueden estar a temperaturas ¡superiores a los 175 °F (80 °C)! ¡Utilice equipo de seguridad personal!*



**⚠ PRECAUCION** *Con el aceite caliente, el nivel del aceite puede estar aproximadamente a 2 cm (3/4 de pulgada) por encima del nivel de aceite en frío poco después de la descarga..*

Un factor importante para la operación segura del sistema de compresor es el nivel del aceite en el depósito. La revisión del nivel de aceite debe realizarse antes de la puesta en operación del compresor y repetirse después de cada 100 horas de operación.

### INSPECCIÓN DEL NIVEL DE ACEITE (ver Figura 7)

- Inspeccione el nivel de aceite retirando el tapón del aceite.
- Con el aceite caliente, el nivel puede estar más arriba que con el aceite en frío.

Como resultado de esto, puede haber una fuga de aceite cuando se retira el tapón con el nivel al máximo. Si esto sucede, coloque de nuevo el tapón de inmediato y con cuidado limpie el aceite que se haya derramado.

**NOTA:** El tapón del aceite cuenta con un orificio de seguridad lateral por el cual puede escapar aceite o aire si existe una presión residual en la unidad de compresión. Espere un minuto después del paro de la unidad antes de abrir el tapón del aceite.

1. Ponga el interruptor en la posición OFF, para impedir que vuelva a activarse sin que sea requerido.
2. Espere durante un minuto con el sistema parado.
3. Desatornille el tapón del aceite en el cuello de llenado con la mano y la unidad compresora despresurizada.
4. Inspeccione el nivel de aceite.
5. Si es necesario, llene con el mismo tipo y marca de aceite hasta el nivel máximo (ver la Figura 7 y la sección de lubricación).

**NOTA:** El cuello para llenado del aceite está posicionado de tal manera que no es posible llenar en exceso el sistema. El exceso de aceite escapa del cuello para llenado.

6. Atornille el tapón del aceite firmemente con la mano.
7. Arranque el sistema.
8. Retire y limpie cualquier residuo de aceite que se hubiera derramado.

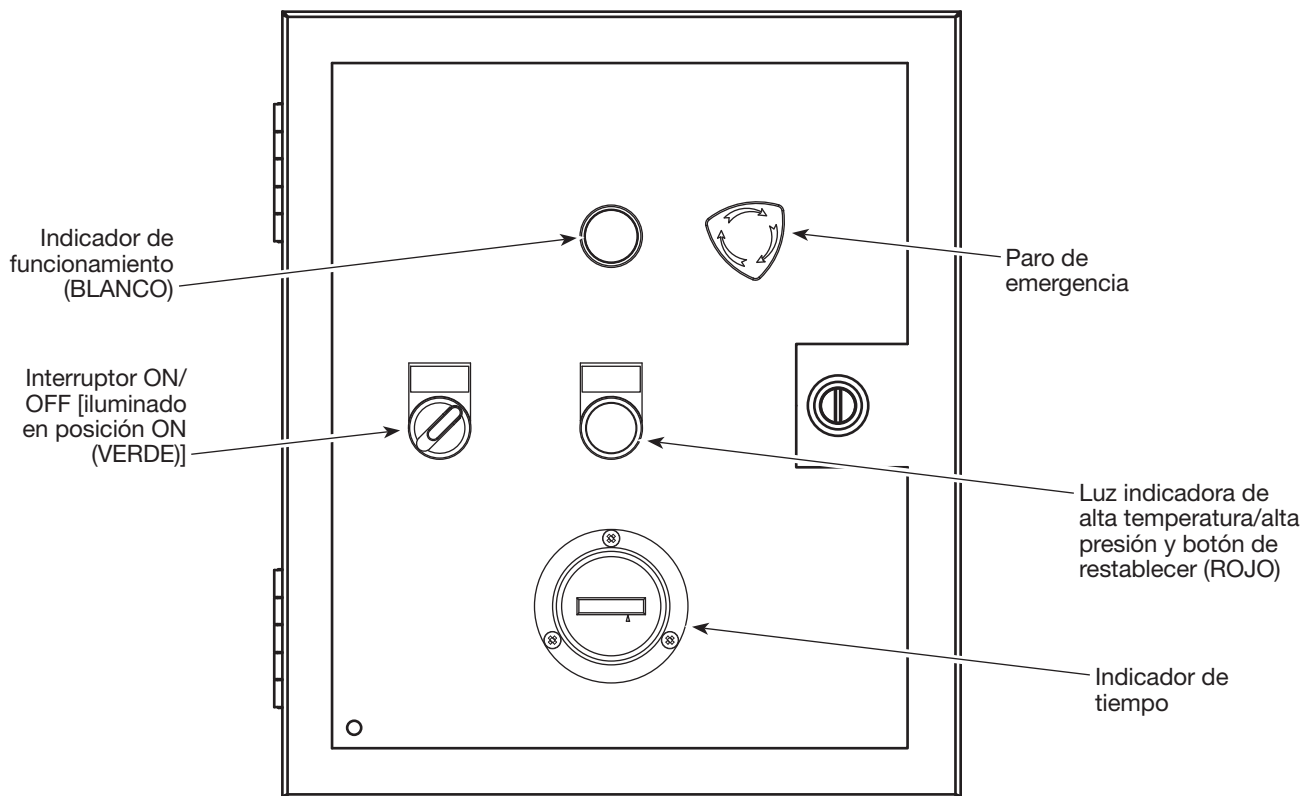


Figura 8 - Panel de Control

## Instalación (Continuación)

### INFORMACIÓN PARA EL FUNCIONAMIENTO INICIAL

**⚠ ADVERTENCIA** **LEA Y COMPRENDA TODOS LOS PASOS PRESENTADOS A CONTINUACIÓN ANTES DE PONER EN FUNCIONAMIENTO.**

1. Verifique el nivel del aceite (ver Figura 7).
2. Si el compresor ha dejado de funcionar por más de 12 semanas, la unidad de compresión debe ser cebada con 8 onzas (1/4 litro) de aceite.

**⚠ ADVERTENCIA** **Antes de reiniciar el funcionamiento, se debe inspeccionar el equipo eléctrico y todas las unidades relacionadas con la seguridad, para revisar que no presentan fugas y funcionan de manera adecuada. Se deberán apretar las conexiones flojas y reemplazar las líneas dañadas.**

Los sistemas de compresor de tornillo que se apagan, inhabilitan o almacenan por un periodo mayor a 12 semanas, no pueden ser puestos en operación nuevamente hasta que no se han llevado a cabo los siguientes pasos:

- a. Girar a mano el módulo compacto del compresor de tornillo en el sentido de rotación varias veces.
- b. Con el sistema de compresor parado, agregue aproximadamente 8 onzas de aceite (1/4 litro) (con el mismo tipo de aceite que en la unidad de compresión) dentro de la cámara del rotor (ver Figura 9).
- c. Una vez más, gire manualmente el módulo del compresor en el sentido de rotación varias veces.

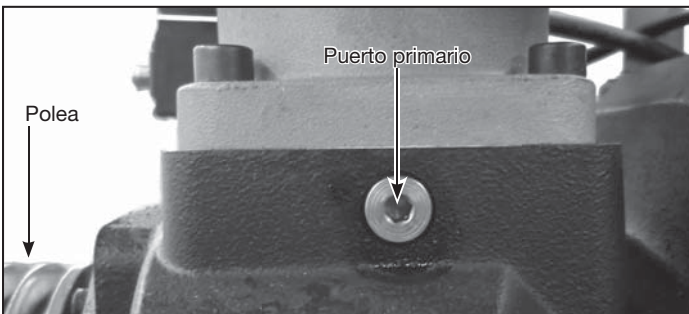


Figura 9 - Ubicación principal de la unidad de compresión

- d. Revise el nivel del aceite en la unidad de compresión y rellénelo de ser necesario (ver la sección de MANTENIMIENTO).
- e. Supervise la operación del sistema de compresor por lo menos durante 15 minutos; como mínimo hasta que la

temperatura estable de funcionamiento sea alcanzada (temperatura de operación continua).

3. **Es preciso verificar la dirección de la rotación.** La operación de unidad de compresión por más de 2 segundos en la dirección equivocada destruirá el compresor de tornillo.
4. Verifique rápidamente la dirección de rotación activando el botón de ON y auxiliándose de alguien más que observe la polea del motor para verificar en cual dirección gira. La protección de la banda debe permanecer instalada. Asimismo, verifique la dirección de rotación en el ventilador del enfriador. El ventilador debe succionar aire desde el lado de la malla de protección y empujarlo en dirección hacia el exterior, pasando por el radiador cuando se encuentra girando en la dirección correcta. Esto puede ser verificado sosteniendo una pequeña tira de papel frente al radiador. Si el sentido de rotación es correcto, el papel volará lejos del radiador.
5. Restablezca el botón del paro de emergencia si es necesario (ver Figura 8).
6. Conecte el suministro de energía en el circuito del interruptor/disyuntor. el indicador blanco del suministro de energía se iluminará. El motor no funcionará en este paso.
7. Gire el interruptor de ON/OFF a la posición ON. La luz de color verde se iluminará, indicando que el compresor se encuentra listo para iniciar su funcionamiento. La luz ROJA de falla por ALTA TEMPERATURA/ ALTA PRESIÓN se iluminará. En el motor no se encenderá en este paso.
8. Mantenga su mano lista en el interruptor de ON/OFF para inmediatamente girar a la posición de OFF, después del arranque de verificación de la rotación del giro. Asimismo, verifique la dirección del ventilador de enfriamiento.
9. Ahora puede arrancar el motor presionando el botón de RESET para Alta presión/Alta temperatura. La luz roja es también un interruptor de pulso momentáneo. En este paso, el motor iniciará su funcionamiento.
10. Inmediatamente apague el motor en el interruptor ON/OFF. En este paso, el motor se detendrá.
11. Si la rotación es incorrecta, desconecte, aisle y quite las etiquetas del suministro de energía. Cambie la posición de dos de las líneas de suministro de energía y repita los pasos 5 a 10.
12. Cuando se haya confirmado la dirección de la rotación, el compresor está listo para realizar la verificación de primer funcionamiento.



## Funcionamiento

### VERIFICACIÓN DEL FUNCIONAMIENTO INICIAL

**IMPORTANTE:** Verifique el sentido de rotación del motor antes de operar el compresor.

Después de confirmar la dirección correcta de la rotación del motor principal y del ventilador de enfriamiento, el compresor está listo para el funcionamiento e inspección iniciales.

Con una válvula instalada a la salida del tanque, cierre la válvula y aisle el tanque de cualquier sistema de tubería, de tal manera que sólo el tanque del compresor sea llenado con el aire comprimido.

1. Ponga el compresor en ON. Confirme la posición en el botón de paro de emergencia. La luz blanca del suministro de energía (Indicador de Corriente) deberá encender.
2. Gire el interruptor de ON/OFF a la posición de ON. La luz de color verde del interruptor debe de encenderse. El compresor funcionará. Si la luz roja de alta temperatura/alta presión se encuentra encendida, presione el botón de RESET y el compresor funcionará.
3. Permita que el compresor funcione por aproximadamente 5 minutos. La presión en el tanque se elevará mientras el compresor esté en funcionamiento.

A continuación sucederá lo siguiente:

- a. Cuando se enciende por primera vez la unidad de compresión, ésta acumulará presión interna antes de enviar el aire dentro del tanque. Esto tomará entre 15 y 20 segundos. Usted podrá percibir un ligero cambio en el sonido cuando la presión mínima abra la válvula dentro de la terminal del aire, permitiendo que el aire fluya hacia el interior del tanque.
- b. La presión del tanque se elevará hasta que sea alcanzada la presión máxima predeterminada. Al llegar a la máxima presión, el compresor cambiará al modo sin carga. El nivel del sonido será menor. El aire ya no es bombeado dentro del tanque. La válvula de entrada del aire se encuentra ahora cerrada dentro de la carcasa del filtro de aire. La alta presión de aire dentro de la carcasa del compresor se ventila lentamente (alrededor de 1 minuto) hacia el exterior a través de la carcasa del filtro del aire para, permitir al compresor trabajar en modo inactivo. Se podrá escuchar la ventilación del aire a presión por alrededor de 1 minuto. Se podrá observar una pequeña cantidad de vapor de aceite proveniente de la entrada. Esto es normal, ya que es posible que se libere una pequeña cantidad de aceite, al salir el aire a alta presión.

**ADVERTENCIA** *No retire la carcasa del filtro del aire o realice algún mantenimiento con presión de aire en la unidad de compresión, o el tanque presurizado.*

- c. Cuando el compresor se encuentre funcionando, observe y escuche si se presentan fugas causadas durante el embalaje y el envío.

**ADVERTENCIA** *¡RIESGO DE QUEMADURAS! Las piezas y superficies se calientan.*



4. Permita que el compresor funcione por aproximadamente 5 minutos. Apáguelo mediante el interruptor de ON/OFF. Deje que el compresor repose cuando menos 1 minuto mientras se libera el aire a alta presión en la entrada del compresor. Usted podrá escuchar como el aire escapa.

**ADVERTENCIA** *Desconecte el cordón eléctrico, amárrelo y aléjelo del tomacorrientes, después libere toda la presión del tanque antes de tratar de instalar el compresor, darle servicio, moverlo de sitio o darle cualquier tipo de mantenimiento.*



5. Libere todo el aire a presión en el tanque antes de realizar cualquier operación de mantenimiento o al reiniciar el compresor para la siguiente ronda de funcionamiento como se describe en el punto 8.
6. Permita que el compresor se enfríe, y después revise el nivel del aceite. Agregue aceite si es necesario.
7. Si es necesario, selle las fugas de aire o aceite.
8. Reinicie el compresor. Verifique la posición del paro de emergencia. Gire el interruptor principal de encendido. Gire el interruptor de ON/OFF a la posición de ON. Restablezca el interruptor de alta temperatura/alta presión y el compresor funcionará.
9. Con la válvula a la salida del tanque cerrada se generará presión en el tanque hasta llegar a la presión de corte. La presión del aire en el tanque se elevará hasta que se alcance el máximo preestablecido. Al momento de alcanzar el punto de presión máximo, el compresor cambiará al modo sin carga. El nivel de ruido será mucho menor. El aire ya no es bombeado dentro del tanque. La válvula de admisión dentro de la carcasa del filtro de aire se cierra. El aire de alta presión dentro de la carcasa del compresor es ventilado lentamente al exterior, a través de la carcasa del filtro del aire, permitiendo al compresor funcionar sin carga. Usted podrá escuchar la válvula de alta presión ventilándose por alrededor de 1 minuto.
10. Dentro de la caja eléctrica, el temporizador de marcha en vacío comenzará a contar el tiempo. Después de aproximadamente 15 minutos de operación sin carga, el compresor se apagará.
11. Libere presión del tanque hasta el punto de reconexión y automáticamente el compresor reiniciará. Se acumulará la presión en el tanque hasta el punto de corte y una vez más volverá al modo sin carga. Espere aproximadamente 1 minuto y entonces libere algo de presión en el tanque.

Cuando la presión en el tanque cae al punto de presión de reconexión, se abrirá la válvula de admisión del aire, permitiendo que el aire sea comprimido y se rellene el tanque. El relé temporizador de funcionamiento sin carga, volverá a reiniciar para el siguiente ciclo.

Esta secuencia de operación continuará hasta que el interruptor de ON/OFF sea girado a la posición de apagado (OFF).

Ahora, su compresor se encuentra listo para el funcionamiento.

**NOTA:** Todas las bombas de compresión lubricadas descargan un poco de agua y aceite junto con el aire comprimido. Instale los equipos y controles apropiados para la eliminación de agua o aceite para la aplicación que se desea.

**AVISO** *Una instalación inadecuada del equipo adecuado para la eliminación de agua/aceite, puede resultar en daños a la maquinaria o pieza de trabajo.*

## Funcionamiento (Continuación)

### TEMPERATURA AMBIENTE DE OPERACIÓN

El compresor está diseñado para trabajar en una temperatura ambiente entre los 40 °F (4° C) y 100° F (38° C). En temperaturas ambiente debajo de 40 °F (4° C), se debe de calentar la unidad hasta alcanzar los 70 °F (21° C) antes de ponerla funcionar.

### PROTECCIONES

**⚠ ADVERTENCIA** *La protección de la banda debe permanecer instalada en la unidad.*



**⚠ ADVERTENCIA** *Nunca opere el compresor sin la protección de la banda.*

*La unidad puede ponerse en funcionamiento de manera automática sin previo aviso. Es posible que se provoquen lesiones personales o daños a la propiedad pueden suscitarse por el contacto con las piezas en movimiento.*

Todas las piezas en movimiento deben estar protegidas. Todas las protecciones para la electricidad deben de permanecer instaladas antes de energizar el sistema.

### PURGADO DEL TANQUE

La condensación debe ser purgada del tanque diariamente.

## Mantenimiento

Véase el programa de mantenimiento en la página Es17.

**⚠ ADVERTENCIA** *Desconecte el cordón eléctrico, amárrelo y aléjelo del tomacorrientes, después libere toda la presión del tanque antes de tratar de instalar el compresor, darle servicio, moverlo de sitio o darle cualquier tipo de mantenimiento.*



Para mantener la operación eficiente del sistema de compresor, revise el nivel del aceite antes de cada uso. La válvula de seguridad ASME también debe de ser revisada diariamente (ver Figura 10). Tire del anillo en la válvula de seguridad. Una vez que se haya liberado la presión, la válvula de seguridad se cerrará. Esta válvula libera aire de manera automática, si la presión máxima del aire se excede. Si se presentan fugas después de haber jalado el anillo de la válvula o si la válvula se encuentra atorada y no puede ser operada, la válvula de seguridad ASME debe de ser reemplazada.

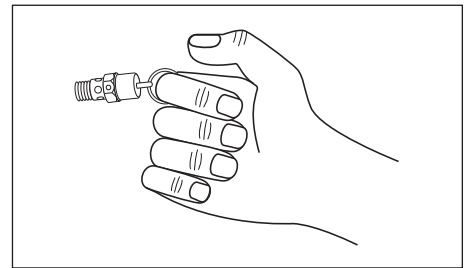


Figura 10 - Válvula de seguridad ASME

**⚠ ADVERTENCIA** *No altere la válvula de seguridad ASME.*

### TANQUE

**⚠ ADVERTENCIA** *¡Nunca intente realizar reparaciones o modificaciones al tanque! El Soldar, taladrar o cualquier otra modificación debilitará el tanque provocando daños por ruptura o explosión. Reemplace siempre los tanques que se encuentren desgastados, fisurados o dañados.*



### AVISO

*Purgue todos los días la condensación líquida del tanque.*

El tanque debe de ser inspeccionado cuidadosamente cuando menos una vez cada año. Realice la búsqueda de fisuras que se forman cerca de las soldaduras. Si se detecta una fisura, elimine de inmediato la presión del tanque y sustitúyalo.

## Mantenimiento (Continuación)

### CAMBIO DE ACEITE

**⚠ ADVERTENCIA** ¡RIESGO DE LESIÓN! La unidad consta de dos componentes presurizados. No intente realizar el cambio del aceite hasta que la unidad se encuentre totalmente parada y haya sido despresurizada por completo.

**⚠ ADVERTENCIA** Desconecte el cordón eléctrico, amárrelo y aléjelo del tomacorrientes, después libere toda la presión del tanque antes de tratar de instalar el compresor, darle servicio, moverlo de sitio o darle cualquier tipo de mantenimiento.



**⚠ ADVERTENCIA** ¡RIESGO DE QUEMADURAS! Las piezas de la unidad, aceite y tornillería pueden estar a más de 175 °F (80 °C). Utilice el equipo de protección personal.



1. Ponga el interruptor del sistema en apagado (OFF), para prevenir que vuelva a funcionar sin que se le requiera, y colóquelo en posición horizontal.
2. Despresurice completamente el tanque y el sistema.
3. Desatornille a mano la tapa del aceite del cuello de llenado.
4. De manera cuidadosa desatornille la purga del aceite y recolecte del aceite usado en un contenedor adecuado.

**⚠ PRECAUCION** Elimine el aceite usado, el depósito para éste y los paños de acuerdo con los reglamentos locales.

5. Limpie el tornillo de la purga del aceite para quitar cualquier residuo.

Apriete el tapón de purga a la posición original

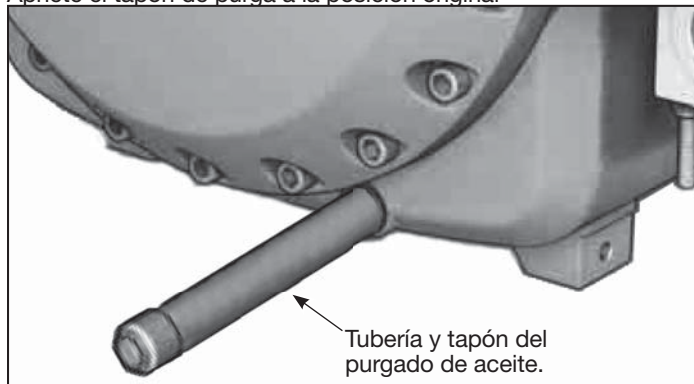


Figura 11 - Purga de Aceite

### FILTRO DE ACEITE

**⚠ ADVERTENCIA** ¡RIESGO DE LESIÓN! La unidad consta de dos componentes presurizados. No intente realizar el cambio del aceite hasta que la unidad se encuentre completamente parada del todo y haya sido despresurizada por completo.

**⚠ ADVERTENCIA** ¡RIESGO DE QUEMADURAS! Las piezas de la unidad, aceite y tornillería pueden estar a más de 175 °F (80 °C). Utilice el equipo de protección personal.



**NOTA:** Sustituya el filtro del aceite en cada cambio de aceite.

1. Ponga el interruptor del compresor de tornillo en apagado (OFF), para prevenir que vuelva a funcionar sin que se le requiera.

2. Despresurice el sistema por completo.
3. Retire el filtro del aceite con una herramienta adecuada; por ejemplo, con una llave de correa para filtros.

**⚠ PRECAUCION** Elimine el filtro viejo de acuerdo con las regulaciones locales vigentes.

4. Lubrique el sello del nuevo filtro de aceite con el mismo tipo de aceite que se encuentra la unidad de compresión.
5. El nuevo filtro de aceite debe sostenerse en posición vertical y llenarse con aceite del mismo tipo, que el del módulo del compresor antes de enroscarlo.
6. Atornille el nuevo filtro de aceite en el bloque múltiple y apriete con la mano. No se requiere de herramienta alguna.
7. Arranque el sistema.
8. Se debe verificar fugas en el filtro de aceite mientras el sistema está funcionando.
9. Revise el nivel del aceite como se ha explicado anteriormente y reponga la cantidad de aceite faltante para llegar nuevamente al nivel máximo.

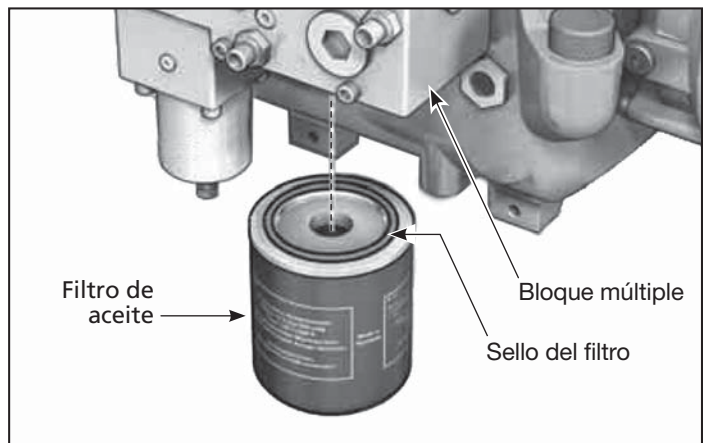


Figura 12 - Filtro de aceite

### ELEMENTO SEPARADOR DE AIRE-ACEITE

**⚠ ADVERTENCIA** ¡RIESGO DE LESIÓN! La unidad consta de dos componentes presurizados. No intente realizar el cambio del aceite hasta que la unidad se encuentre completamente parada y haya sido completamente despresurizada.

**⚠ ADVERTENCIA** ¡RIESGO DE QUEMADURAS! Las piezas de la unidad, aceite y tornillería pueden estar a más de 175 °F (80 °C). Utilice el equipo de protección personal.



**⚠ PRECAUCION** Una admisión de aire muy sucia o aceite de baja calidad, provocará un ensuciamiento severo del elemento filtrante, lo cual puede resultar en la necesidad prematura de sustitución.

1. Ponga el interruptor del compresor de tornillo en apagado (OFF), para prevenir que vuelva a funcionar sin que se le requiera.
2. Retire el elemento separador de aire y aceite con una herramienta adecuada; por ejemplo, con una llave de correa para filtros.

## Mantenimiento (Continuación)

**▲ PRECAUCION** *Elimine el aceite usado, el depósito de éste el aceite y los paños de acuerdo con los reglamentos locales.*

3. Lubrique el sello del nuevo elemento separador de aire-aceite con aceite del mismo tipo, como el del módulo compacto del compresor de tornillo.
4. Apriete el nuevo elemento separador de aire-aceite a mano. No se requiere de herramienta alguna.
5. Arranque el sistema del compresor.
6. Se debe verificar que no haya fugas en el elemento separador de aire y aceite mientras el sistema está funcionando.

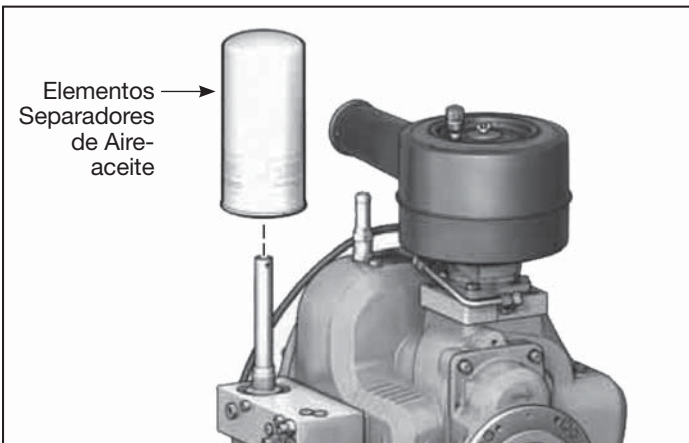


Figura 13 - Elementos Separadores de Aire-aceite

### LLENADO DE ACEITE

**▲ PRECAUCION** *Agregue aceite del mismo tipo y fabricante. Hacer el cambio por otro tipo de aceite puede requerir una purga previa del compresor.*

**NOTA:** Sustituya el filtro del aceite en cada cambio de aceite.

1. Ponga el interruptor en la posición OFF, para prevenir que vuelva a activarse sin que sea requerido.
2. En el cuello de llenado del tanque separador, agregue el aceite al máximo nivel y reinserte el tapón roscado, girándolo firmemente con la mano sobre el cuello de llenado.
3. Arranque el compresor de tornillo y permita que funcione durante aproximadamente tres minutos.
4. Apague el sistema, para impedir que se encienda de nuevo sin que sea requerido.
6. Llène de aceite hasta el nivel máximo.
7. Arranque de compresor de tornillo y hágalo funcionar de manera normal.

### FILTRO DE ADMISIÓN DE AIRE

**▲ ADVERTENCIA** *No retire la carcasa del filtro ni realice ningún n tipo de mantenimiento mientras el tanque de aire o la unidad de compresión se encuentran presurizados.*



Figura 14 - Filtro de la admisión del aire

Nunca opere la bomba del compresor sin el filtro de admisión de aire o con un filtro que se encuentre obstruido. El elemento del filtro de aire debe ser verificado mensualmente (ver Figura 14).

Operar el compresor con un filtro sucio puede causar un elevado consumo de aceite e incrementar la contaminación éste en el aire de descarga. Si el filtro del aire se encuentra sucio, debe sustituirse.

En el caso de aire de admisión muy sucio, sustituya y verifique con mayor frecuencia.

**▲ PRECAUCION** *Las partículas de polvo y suciedad no deben ingresar por la entrada del aire al módulo del compresor. El aire de admisión debe mantenerse limpio.*

**▲ PRECAUCION** *No se permite la limpieza del elemento filtrante; éste filtrante deberá sustituirse siempre. Deshágase del elemento filtrante viejo de acuerdo con las regulaciones locales.*

1. Ponga el interruptor del compresor de tornillo en apagado (OFF), para impedir que se encienda de nuevo sin que sea requerido.
2. Desatornille la tuerca de mariposa y quite la cubierta del filtro.
3. Retire el elemento filtrante viejo.
4. Con cuidado retire el polvo de la carcasa del filtro.
5. Inserte el nuevo elemento filtrante en la carcasa.
6. Instale la cubierta del filtro asegurándose de un posicionamiento correcto al ensamblarlo.
7. Apriete la tuerca de mariposa.
8. Arranque el sistema.

### ENFRIADOR DE ACEITE

Semanalmente, inspeccione el enfriador de aceite para asegurarse que todos los acoplamientos están firmes y apretados. Limpie toda la suciedad, polvo y cualquier otra acumulación.

## Mantenimiento (Continuación)

### COMPONENTES

Cada mes, desconecte todo el suministro de energía y limpie la unidad de compresión, motor, aspas del ventilador, las líneas de aire, el enfriador del aceite y el tanque.

### BANDAS

**⚠ ADVERTENCIA** *Aísle y etiquete la corriente eléctrica, luego libere toda la presión del tanque para prevenir cualquier movimiento inesperado de la unidad.*

Revise la atención de la banda cada 3 meses. Ajuste la atención de la banda permitiendo la flexión de 3/8 de pulgada (1 cm) presionando de manera normal con el pulgar. Asimismo, ponga en línea recta la banda usando una regla plana en contra de las caras de las poleas que toque el borde en ambos lados de la superficie. Las bandas deberán estar paralelas a esta regla.

Las ranuras en el asiento de la placa permiten el movimiento del motor hacia adelante y hacia atrás, para ajustar la atención de la banda.

### PROGRAMA DE MANTENIMIENTO

La siguiente tabla proporciona una visión general del mantenimiento del compresor de tornillo en base a las horas de funcionamiento.

Calendario de mantenimiento (horas de funcionamiento)	Trabajo de mantenimiento
Antes de empezar	<ol style="list-style-type: none"> <li>1. Verifique el nivel del aceite de la unidad de compresión.</li> <li>2. Cebare la unidad de compresión si no se ha usado por más de 12 semanas.</li> </ol>
Diariamente	<ol style="list-style-type: none"> <li>1. Verifique las válvulas de seguridad.</li> <li>2. Drene el tanque para retirar el agua.</li> </ol>
A las 50 horas de operación	<ol style="list-style-type: none"> <li>1. Verifique el nivel de la unidad de compresión.</li> <li>2. Apriete todos los tornillos en los conectores de la tubería y los conectores de las terminales eléctricas, inspeccione todas las demás para asegurar una sujeción firme.</li> </ol>
Cada 100 horas de operación	<ol style="list-style-type: none"> <li>1. Verifique el nivel del aceite de la unidad de compresión; rellénelo si está bajo.</li> <li>2. Escuche si existen sonidos anormales durante el funcionamiento.</li> </ol> <p><b>⚠ ADVERTENCIA</b> <i>Inmediatamente apague la unidad, localice el problema y corríjalo. Un ruido normal puede ser indicación de una situación potencialmente peligrosa.</i></p> <ol style="list-style-type: none"> <li>3. Verifique todas las líneas, mangueras, y uniones en busca de fugas y daños visibles.</li> </ol> <p><b>⚠ ADVERTENCIA</b> <i>¡RIESGO DE LESIÓN! Revise las fugas y repárelas de inmediato. No se permite reparar las mangueras hidráulicas.</i></p>
Cada mes con demanda normal	<ol style="list-style-type: none"> <li>1. Comprobar el elemento del filtro de aire</li> </ol>
Cada 3 meses con demanda normal	<ol style="list-style-type: none"> <li>1. Comprobar la tensión de la correa</li> </ol>
Cada 2,000 horas de operación o 1 año, lo primero que ocurra	<ol style="list-style-type: none"> <li>1. Cambie el elemento separador de aire-aceite.</li> <li>2. Cambie el aceite.</li> <li>3. Sustituya el filtro del aceite.</li> <li>4. Sustituya el elemento filtrante en la admisión del filtro de aire.</li> <li>5. Verifique que no haya fugas en el sistema..</li> <li>6. Limpie el sistema.</li> <li>7. Revise las bandas (sustitúyala si es necesario).</li> <li>8. Inspeccione las mangueras.</li> </ol>
Cada 6 años con una demanda de funcionamiento normal	<p>Sustituya las líneas de las mangueras.</p> <p><b>⚠ ADVERTENCIA</b> <i>No está permitido reparar las tuberías flexibles. Las tuberías flexibles DEBEN de ser sustituidas.</i></p>

## Guía de Resolución de Problemas

PROBLEMA	CAUSA	SOLUCIÓN
La unidad no arranca - el motor no hacer ruido	<ol style="list-style-type: none"> <li>1. Corriente insuficiente para el compresor</li> <li>2. La unidad no está cableada correctamente</li> <li>3. Suministro de voltaje equivocado en la unidad.</li> <li>4. Conexiones eléctricas flojas</li> <li>5. Tamaño del cable inadecuado</li> <li>6. Fusible roto y/o disyuntor disparado</li> <li>7. Sobrecarga del arrancador activada</li> </ol>	<ol style="list-style-type: none"> <li>1. La fuente de suministro eléctrico para el compresor es de un voltaje incorrecto o de un tamaño de cable inadecuado para la carga, la caja de fusibles o la caja de los disyuntores no es la adecuada para los requerimientos de carga del compresor.</li> <li>2. Cualquier otro tipo de cable que no sea el especificado en este manual puede ocasionar un mal funcionamiento (ver la sección de cableado).</li> <li>3. Asegúrese de que el voltaje sea el correcto para el cableado del motor (ver la sección de cableado).</li> <li>4. Todo el sistema eléctrico debe ser verificado por un electricista certificado. El cableado hacia el compresor y las conexiones eléctricas deberá revisarse. Las conexiones sueltas pueden causar mal funcionamiento.</li> <li>5. Verifique que el tamaño del cable tiene la capacidad para la corriente del compresor. Los códigos locales y estatales varían mucho y deben revisarse antes de la instalación.</li> <li>6. El disyuntor y los fusibles que se requieren para esta unidad deben ser de acción retardada. Un disyuntor accionado o un fusible fundido pueden ser resultado de un cortocircuito a tierra, un alto consumo de corriente, un cableado inadecuado, tamaño y/o tipo de fusible o disyuntor inadecuados. Un centro de servicio o un electricista certificado deberán evaluarlo.</li> <li>7. Verifique y restablezca si es necesario. Si se accionan las protecciones de sobrecarga después de realizar el restablecimiento del sistema, consulte la sección del manual que cubre este problema.</li> </ol>
La unidad arranca pero no llega a su máxima velocidad	<ol style="list-style-type: none"> <li>1. Corriente insuficiente para el compresor</li> <li>2. Conexiones eléctricas flojas</li> </ol>	<ol style="list-style-type: none"> <li>1. La fuente eléctrica para el compresor es de un voltaje incorrecto o de un calibre de cable inadecuado para la carga, la caja de fusibles o la caja de los disyuntores no es la adecuada para los requerimientos de carga del compresor.</li> <li>2. Todo el sistema eléctrico debe de ser verificado por un electricista certificado. el cableado hacia el compresor y las conexiones eléctricas deberán de ser revisados. Las conexiones sueltas pueden causar mal funcionamiento.</li> </ol>
La unidad no genera aire, o produce muy poco	<ol style="list-style-type: none"> <li>1. Válvula de purga abierta</li> <li>2. Fuga de aire</li> <li>3. Admisión bloqueada o con restricción</li> </ol>	<ol style="list-style-type: none"> <li>1. Asegúrese que la válvula de purgado en la parte baja del tanque se encuentre cerrada.</li> <li>2. Verifique todo el sistema con respecto a fugas, incluyendo la unidad de compresión y cualquier tubería conectada al compresor.</li> <li>3. Compruebe que la admisión del aire hacia el compresor no se encuentre bloqueada de forma alguna.</li> </ol>
La unidad hace mucho ruido	<ol style="list-style-type: none"> <li>1. Daño en el compresor</li> <li>2. Conexiones sueltas</li> <li>3. Bandas o poleas flojas</li> </ol>	<ol style="list-style-type: none"> <li>1. Realice la verificación para comprobar que el compresor no fue dañado durante el transporte o la instalación. Compruebe que la protección para la banda no esté dañada. Ésta no debe hacer contacto con la polea o con el volante.</li> <li>2. Verifique todas las tuercas y tornillos para comprobar que no se aflojaron durante el transporte..</li> <li>3. Compruebe que tanto la polea como el volante estén correctamente apretados.</li> </ol>
Humo de aceite desde la entrada al apagar	Operación normal	Una pequeña cantidad de aceite puede escapar junto con la alta presión del aire que se ventila a través del filtro de aire.

**⚠ ADVERTENCIA** *No retire la carcasa del filtro ni realice ningún tipo de mantenimiento mientras el tanque de aire o la unidad de compresión se encuentran presurizados.*



---

**¡REGISTRE SU PRODUCTO EN LÍNEA AHORA MISMO!**

<http://reg.ch-commercial.com>

---

**Garantía Limitada**

1. DURACIÓN: A partir de la fecha de compra por el comprador original tal como se especifica a continuación: Dos años para la unidad de compresión del compresor. Un año para para el resto del paquete del compresor.
2. QUIEN OTORGA ESTA GARANTÍA (EL GARANTE): Campbell Hausfeld/Scott Fetzer Company, 100 Production Drive, Harrison, Ohio, 45030, Telephone: (800) 543-6400.
3. QUIEN RECIBE ESTA GARANTÍA (EL COMPRADOR): El comprador original (que no sea un distribuidor) del compresor de aire Hausfeld Campbell.
4. PRODUCTOS CUBIERTOS POR ESTA GARANTÍA: Este compresor de tornillo Campbell Hausfeld.
5. COBERTURA DE LA GARANTÍA: Defectos sustanciales en el material y/o mano de obra, con las siguientes excepciones.
6. LO QUE NO ESTÁ CUBIERTO POR ESTA GARANTÍA:
  - A. Las garantías implícitas, incluyendo aquellas para su comercialización y LA APTITUD PARA ALGÚN PROPÓSITO EN PARTICULAR ESTÁN LIMITADAS A LA FECHA ORIGINAL DE COMPRA, TAL COMO SE ESTABLECE EN LA DURACIÓN. En algunos estados no se permiten limitaciones en la vigencia para las garantías implícitas; por lo tanto, es posible que las limitaciones previas no sean aplicables para usted.
  - B. CUALQUIER DAÑO INCIDENTAL, INDIRECTO, O DE PÉRDIDA CONSECUENTE; DAÑO, O GASTO QUE PUDIERA RESULTAR POR CUALQUIER DEFECTO, FALLA O MAL FUNCIONAMIENTO DEL PRODUCTO CAMPBELL HAUSFELD. En algunos estados no se permiten limitaciones en la vigencia para las garantías implícitas; por lo tanto, es posible que las limitaciones previas no sean aplicables para usted.
  - C. Cualquier falla como resultado de un accidente, abuso por parte del comprador, descuido o falla en la instalación y operación del compresor de acuerdo con las instrucciones estipuladas en el o los manuales del propietario que se incluyeron con el compresor.
  - D. Servicio previo a la entrega; es decir, ensamblaje, aceite o lubricantes, y ajuste.
  - E. Artículos o servicios que se requieran de manera normal para mantener el producto; por ejemplo, lubricantes, filtros, etc.
  - F. Insumos consumibles en general; por ejemplo, bandas, filtros, etc.
  - G. Cualquier componente dañado en el embarque o el daño por contacto con las herramientas o el entorno.
  - H. El equipo que hubiere sido reparado o modificado sin autorización de Campbell Hausfeld.
7. RESPONSABILIDADES DEL GARANTE BAJO ESTA GARANTÍA: Reparar o reemplazar, a opción de quien extiende la garantía, el compresor o componente que esté defectuoso, tenga problemas de funcionamiento y/o no haya cumplido con la duración del periodo de garantía. Las reparaciones garantizadas se realizarán en las instalaciones del comprador.
8. RESPONSABILIDADES DEL COMPRADOR BAJO ESTA GARANTÍA:
  - A. Suministrar prueba fechada de compra y la historia de mantenimiento del producto.
  - B. Tener cuidado al utilizar el producto, tal como se indica(n) en el (los) manual(es) del propietario.
  - C. Reparaciones que requieran tiempo adicional al horario normal de trabajo, o cualquier asunto que exceda la tarifa normal de reembolso por mano de obra para reparaciones bajo la garantía del fabricante.
  - D. El tiempo requerido por cualquier control de seguridad, capacitación relacionada con seguridad, o asuntos similares necesarios para que el personal de servicio pueda tener acceso a las instalaciones.
  - E. La ubicación de la unidad debe tener espacio suficiente para que el personal de servicio pueda realizar reparaciones y debe ser fácilmente accesible.
9. CUÁNDO EFECTUARÁ EL GARANTE LA REPARACIÓN O REEMPLAZO CUBIERTO BAJO ESTA GARANTÍA: La reparación o reemplazo dependerá del flujo normal de trabajo del centro de servicio y de la disponibilidad de repuestos.

Esta garantía limitada es válida sólo en los EE.UU., Canadá y México y otorga derechos legales específicos. Usted también puede tener otros derechos que varían de un Estado a otro. o de un país a otro.

**GARANTÍA EXTENDIDA ADICIONAL.** Está disponible una garantía extendida contra defectos en mano de obra y materiales bajo uso normal en las condiciones siguientes:

10. DURACIÓN: A partir de la fecha de compra por el comprador original, de la manera siguiente: tres años
  11. QUÉ CUBRE ESTA GARANTÍA EXTENDIDA: Defectos en los materiales o mano de obra de los artículos siguientes:
    - A. Unidad de compresión
    - B. Ensamble del enfriador de aceite
    - C. Receptor de aceite (tanque)
    - D. Partes y mano de obra durante el primer año, y sólo las partes después de dicho primer año.
  12. RESPONSABILIDADES DEL COMPRADOR CON BASE EN ESTA GARANTÍA EXTENDIDA:
    - A. Un formato de registro de garantía llenado de manera adecuada. Dicho formato se encuentra disponible en <http://reg.ch-commercial.com>, y deberá presentarse a más tardar a los treinta días del arranque inicial, a fin de tener derecho a la garantía extendida.
    - B. Partes y líquidos de mantenimiento y servicio: el compresor de la serie CS deberá recibir mantenimiento y servicio de acuerdo con el manual de operación. Deben utilizarse partes y líquidos originales Campbell Hausfeld; de lo contrario la Garantía Extendida quedará inválida. Es preciso conservar las pruebas de compra de partes de servicio y líquidos originales durante toda la duración del periodo de la garantía extendida.
    - C. Con toda reclamación de garantía de la unidad de compresión, deberá presentarse una muestra del aceite utilizado.
-