

Operator's Manual



Chicago Pneumatic Tool Co. LLC
13325 Carowinds Blvd. • Charlotte NC • 28273 USA

CP7740 Series Impact Wrench

1/2" Square & 2" Extended Drive Model "A"



⚠ WARNING

To reduce risk of injury, everyone using, installing, repairing, maintaining, changing accessories on, or working near this tool must read and understand these instructions before performing any such task.

FOR DETAILED INFORMATION ABOUT CHICAGO PNEUMATIC AIR TOOLS AND EQUIPMENT CONTACT:

UNITED STATES

Chicago Pneumatic Tool Co. LLC
13325 Carowinds Blvd.
Charlotte, NC 28273 • USA
Telephone: 1-803-817-7000
1-800-367-2442 (USA only)
Fax: 1-800-228-9096

AUSTRALIA

Atlas Copco Tools Australia
3 Bessemer Street
Blacktown • Australia
Telephone: 02-621-9482
Fax: 02-671-5915

BELGIQUE

Chicago Pneumatic Rep. Office
Avenue Sluysmans 10-4030
Liege • Belgium
Tel/Fax: 04-343 8150

BRASIL

Chicago Pneumatic Brasil
Av. Mascote 159 V. Sta. Catarina
04363-000
Sao Paulo/SP • Brasil
Telephone: (011) 562-7314
Fax: (011) 563-9208

CANADA

Chicago Pneumatic Tool Co. LLC
Vehicle Service
13325 Carowinds Blvd.
Charlotte, NC 28273
Telephone: 1-803-817-7000
Fax: 1-800-228-9096

CENTRAL AMERICA

Contact Chicago Pneumatic/USA
for names of CP Authorized
Distributors in this area

FRANCE

Espace Lumière
Bâtiment S
57, Boulevard de la République
78403 Chatou Cédex. France
Telephone: (0) 1 30 09 60 00
Fax: (0) 1 30 71 96 70

GERMANY

Desoutter GMBH
Vehicle Service
Edmund-Seng-Strasse 3-5
D-63477 Maintal • Germany
Telephone: 49-0611-270120/22
Fax: 49-0611-270140

INDIA

Chicago Pneumatic Sales
Chemtex House, First Floor
Main Street
Hiranadani Gardens
Powai, Mumbai 400076, India
Telephone: (22)25704907
(22)25708984
Fax: (22)25705042

ITALY

Desoutter Italiana S.R.L.
Viale Della Repubblica, 65
20035 Lissone (Milano)

MEXICO

Chicago Pneumatic Tool
Company LLC, Mexico
San Francisco #223
Valle Dorado, Tlalnepantla
C.P. 54020 • Mexico
Telephone: 525-378-0754
Fax: 525-378-0753

SOUTH AFRICA

Chicago Pneumatic Tool Co. LLC, S.A.
20 Anvil Road
PO Box 105
Isando 1600, Transvaal • South Africa
Telephone: 011-9746761
Fax: 011-974-2324

SOUTH AMERICA

Contact Chicago Pneumatic/USA
for names of CP Authorized
Distributors in this area

SOUTHEAST ASIA

Chicago Pneumatic Tool Company LLC
Regional Office
P.O. Box 1516
Unit 2103 - Citimark
28 Yuen Shun Circuit
Shatin
New Territories, Hong Kong
Telephone: (8522) 3570963
Fax: 852-763-1875

SPAIN

Desoutter S.A.
C. Serrano, 120
28006 Madrid • Spain
Telephone: 91 590 31 52
Fax: 91 590 31 61

SWEDEN

Chicago Pneumatic
Distributor Markets
Sickla Industriväg 7
S-131 34 Nacka • Sweden
Telephone: 46 8743 9329
Fax: 46-8743 9427

UNITED KINGDOM

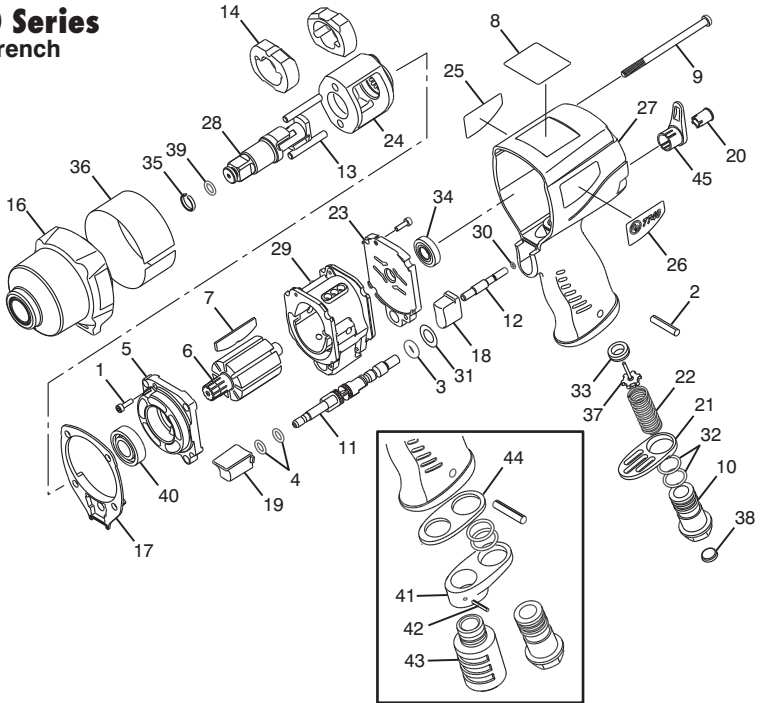
Chicago Pneumatic Tool Company, Ltd.
P.O. Box 241
Eaton Road
Hemel Hempstead, Herts HP2 7DR
England
Domestic: 01442-847703/06
Export: 01442-232420/17
Fax: 01442-2847723

Visit our website:
<http://www.cp.com>



8940162405 Rev. D
Printed in USA
KEK 01/08

CP7740 Series Impact Wrench



Index No.	Part No.	Description	No. Req'd.	Index No.	Part No.	Description	No. Req'd.
1	6156161270	Hex. Screw	4	8940163014	1/2" Ext. Anvil Assembly (Incl: Index Nos. 35 & 39)		
2	6156371750	Pin Spring	1	29	8940163025	Liner	1
3	6156582940	O-Ring	1	30	8940163077	O-Ring	1
4	6156582950	O-Ring	2	31	8940163084	Washer	1
5	8940158496	Front End Plate	1	32	8940163166	O-Ring	2
6	8940158499	Rotor	1	33	8940163180	Valve Seat	1
7	8940162331	Blade-Rotor Set (8)	1	34	C075878	Rear Bearing	1
8	8940158512	Warning Label/Nameplate CP7740	1	35	CA088097	Ring-Socket Retainer	1
	8940158513	Warning Label/Nameplate CP7740-2		36	CA154960	Sleeve-Steel	1
	8940163027	Warning Label/Nameplate CP7740Q		37	CA158018	Valve	1
	8940163028	Warning Label/Nameplate CP7740Q-2		38	M155385	Screen-Air	1
9	8940158514	Torx Screw	4	39	P083071	O-Ring	1
10	8940158515	Inlet Bushing	1	40	S083790	Front Bearing	1
11	8940158520	Reverse Valve	1	41	8940163029	Exhaust Quiet	1
12	8940158522	Trigger Pin	1	42	2050261223	Pin Spring	1
13	8940158523	Pin	2	43	8940163037	Silencer Kit	1
14	8940158578	Dog	2	44	8940163126	Gasket	1
16	8940163036	Clutch Housing Assembly (Incl: Index No. 36)	1	45	8940162429	Regulator Lever	1
17	8940162428	Gasket	1				
18	8940162430	Trigger	1				
19	8940162431	Reverse Button	1				
20	8940162432	Forward Button	1				
21	8940162433	Exhaust Deflector	1				
22	8940162434	Valve Spring	1				
23	8940162658	Rear End Plate	1				
24	8940162822	Cage	1				
25	8940162951	Right Decal CP7740	1				
26	8940162952	Left Decal CP7740	1				
27	8940163012	Handle Assembly (Incl: Index No. 45)	1				
28	<u>8940163013</u>	<u>1/2" Anvil Assembly</u> (Incl: Index Nos. 35 & 39)	<u>1</u>				

Tune-Up Kit
8940162408 (Incl: Index 3, 4, 7, 17, 30, 32, 33, 35, 39)

Repair Kit CP7740
8940162410 (Incl: Index 7, 13, 14, 17, 28, 33)

Repair Kit CP7740-2
8940163047 (Incl: Index 7, 13, 14, 17, 28 (Ext Anvil), 33)

Muffler Kit
8940163038 (Incl: Index 42, 43)

Muffler Retro Fit Kit
8940163045 (Incl: Index 41, 42, 43, 44)

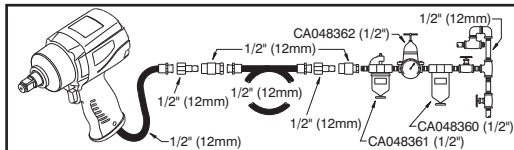
Tool Cover
8940163046

INSTRUCTION MANUAL

This product is designed for installing and removing threaded fasteners in wood, metal and plastic. No other use permitted. For professional use only.

Air Supply Requirements

1. Supply tool with 90 psig (6.2 bar) of clean, dry air. Higher pressure drastically reduces tool life.
2. Connect tool to air line using pipe, hose, and fitting sizes shown in the diagram.



Lubrication

1. Use an air line lubricator with SAE #10 oil, adjusted to two (2) drops per minute. If an air line lubricator cannot be used, add air motor oil to the inlet once a day.
2. Use 3/4oz. (22ml) of CP Pneu-Lube Synthetic Clutch Grease 8940158455.

Operation

1. The intended use of this impact wrench is with impact rated sockets operating upon threaded fasteners. To operate, pull trigger on handle. To operate in forward rotation, push the reverse pin. To operate in reverse, pull the reverse pin.
2. This impact wrench is equipped with a regulator to enable adjustment of output power in both directions. Turn the regulator knob to # 3 for maximum power, to # 1 for minimum power.

Maintenance

1. After first year, disassemble and inspect air motor and impacting clutch every three (3) months if the tool is used every day. Replace damaged or worn parts.
2. High wear parts are underlined in the parts list.
3. To keep downtime to a minimum, the following service kits are recommended:

Tune-Up Kit 8940162408

(Incl: 3, 4, 7, 17, 30, 32, 33, 35, 39)

Repair Kit (CP7740) 8940162410

(Incl: 7, 13, 14, 17, 28, 33)

Repair Kit (CP7740-2) 8940163047

(Incl: 7, 13, 14, 17, 28 (Ext. Anvil), 33)

Muffler Kit 8940163038

(Incl: 42, 43)

Muffler Retro Fit Kit 8940163045

(Incl: 41, 42, 43, 44)

Tool Cover 894016346

EC DECLARATION OF CONFORMITY

We, Chicago Pneumatic Tool Co. LLC, 13325 Carowinds Blvd., NC 28273 USA, declare under our sole responsibility that the product to which this declaration relates, is in conformity with the requirements of the Council Directive of June 1998 on the approximation of the laws of the Member States relating to machinery (98/37/EC).

Machine Name CP7740 Series Impact Wrench

Machine Type Assembly Power Tool for Threaded Fasteners - No other use is permitted.

Serial No. Tools from No. 2007 001A

Technical Data

1/2" (12.7mm) Sq. Dr. Std.

Rated speed 5,400 rpm

Torque range 60-450Nm

Max torque @ 90 psi 675Nm

Air pressure 90 psi (6.2 bar)

Air Consumption 25 cfm (11.8 l/s)

Maximum air pressure Pmax = 6.3 Bar

Minimum air pressure Pmin = 4 Bar

Mass = 1.25Kg

Harmonized Standards Applied EN792-6

National Standards Applied ISO 8662-7, ISO 15744-2002

Name And Position Of Issuer Bruno Blanchet, General Manager

Signature Of Issuer

Date Of Issue January 15, 2008

Noise & Vibration Declaration*

The different models of CP7740 impact wrenches, from our company, have the following features regarding sound level.

Model	Impacting sound level dB(A) ISO 15744-2002		Vibration level ISO 8662-7
	Pressure	Power	m/s ²
CP7740 CP7740-2	95.9 **	106.9 **	5.9
CP7740Q CP7740Q-2	93.9 **	104.9 **	5.9

Model	Free speed sound level dB(A) ISO 15744-2002		Vibration level ISO 8662-7
	Pressure	Power	m/s ²
CP7740 CP7740-2	87.9 **	98.9 **	5.9
CP7740Q CP7740Q-2	82.8 **	93.8 **	5.9

**Uncertainty 3 dB(A)

*These declared values were obtained by laboratory type testing in compliance with the stated standards and are not adequate for use in risk assessments. Values measured in individual work places may be higher than the declared values. The actual exposure values and risk of harm experienced by an individual user are unique and depend upon the way the user works, the workpiece and the workstation design, as well as upon the exposure time and the physical condition of the user. We, Chicago Pneumatic, cannot be held liable for the consequences of using the declared values, instead of values reflecting the actual exposure, in an individual risk assessment in a work place situation over which we have no control.

Copyright 2008, Chicago Pneumatic Tool Co. LLC

All rights reserved. Any unauthorized use or copying of the contents or part thereof is prohibited. This applies in particular to trademarks, model denominations, part numbers and drawings. Use only authorized parts. Any damage or malfunction caused by the use of unauthorized parts is not covered by Warranty or Product Liability.



⚠ WARNING

To reduce risk of injury, everyone using, installing, repairing, maintaining, changing accessories on, or working near this tool must read and understand these instructions before performing any such task.

2

The goal of Chicago Pneumatic is to produce tools that help you work safely and efficiently. The most important safety device for this or any tool is YOU. Your care and good judgment are the best protection against injury. All possible hazards cannot be covered here, but we have tried to highlight some of the important ones.

For Additional Safety Information Consult:

- ⚠ Your employer union and/or trade association.
- ⚠ US Department of Labor (OSHA); www.osha.gov; Council of the European Communities europe.osha.eu.int.
- ⚠ "Safety Code For Portable Air Tools" (B186.1) available from: www.ansi.com
- ⚠ "Safety Requirement For Hand-Held Non-Electric Power Tools" available from: European Committee for Standardization, www.cenorm.be

Air Supply And Connection Hazards

- ⚠ Air under pressure can cause severe injury.
- ⚠ Always shut off air supply, drain hose of air pressure and disconnect tool from air supply when not in use, before changing accessories or when making repairs.
- ⚠ Never direct air at yourself or anyone else.
- ⚠ Whipping hoses can cause serious injury. Always check for damaged or loose hoses and fittings.
- ⚠ Do not use quick disconnect couplings at tool. See instructions for correct set-up.
- ⚠ Whenever universal twist couplings are used, lock pins must be installed.
- ⚠ Do not exceed maximum air pressure of 90 psi (6.2 bar) or as stated on tool nameplate.

Entanglement Hazards

- ⚠ Keep away from rotating drive.
- ⚠ Do not wear jewelry or loose clothing.
- ⚠ Choking can occur if neckwear is not kept away from tool and accessories.
- ⚠ Scalping can occur if hair is not kept away from tool and accessories.
- ⚠ Avoid direct contact with accessories during and after use. Gloves will reduce the risk of cuts or burns.
- ⚠ Use only proper accessory retainers (see parts list). Use deep sockets wherever possible.

Projectile Hazards

- ⚠ Always wear impact-resistant eye and face protection when involved with or near the operation, repair or maintenance of the tool or changing accessories on the tool.
- ⚠ Be sure all others in the area are wearing impact-resistant eye and face protection.
- ⚠ Even small projectiles can injure eyes and cause blindness.
- ⚠ Use only impact wrench sockets and accessories in good condition. Sockets in poor condition or hand sockets and accessories used with impact wrenches can shatter.
- ⚠ Always use the simplest hook-up possible. Long, springy extension bars and adapters absorb impact power and could break. Use deep sockets wherever possible.

- ⚠ Never operate the tool off of the work. It may run too fast and cause the accessory to be thrown off the tool.
- ⚠ Serious injury can result from over-torqued or under-torqued fasteners, which can break, or loosen and separate. Released assemblies can become projectiles. Assemblies requiring a specific torque must be checked using a torque meter.

Note: So-called "click" torque wrenches do not check for potentially dangerous over-torque conditions.

Workplace Hazards

- ⚠ Slip/Trip/Fall is a major cause of serious injury or death. Beware of excess hose left on the walking or work surface.
- ⚠ High sound levels can cause permanent hearing loss. Use hearing protection as recommended by your employer or OSHA regulation (see 29 CFR part 1910).
- ⚠ Maintain a balanced body position and secure footing.
- ⚠ Be in control of the throttle at all times. Do not get caught between the tool and the work.
- ⚠ Repetitive work motions, awkward positions and exposure to vibration can be harmful to hands and arms. If numbness, tingling, pain or whitening of the skin occurs, stop using the tool and consult a physician.
- ⚠ Avoid inhaling dust or handling debris from the work process which can be harmful to your health. Use dust extraction and wear respiratory protective equipment when working with materials which produce airborne particles.
- ⚠ Proceed with care in unfamiliar surroundings. Be aware of potential hazards created by your work activity. This tool is not insulated for coming into contact with electric power sources.
- ⚠ Some dust created by power sanding, sawing, grinding, drilling and other construction activities contains chemicals known to the State of California to cause cancer and birth defects or other reproductive harm. Some examples of these chemicals are:
 - Lead from lead based paints
 - Crystalline silica bricks and cement and other masonry products
 - And Arsenic and chromium from chemically-treated rubberYour risk from these exposures varies, depending on how often you do this type of work. To reduce your exposure to these chemicals: work in a well ventilated area, and work with approved safety equipment, such as dust masks that are specially designed to filter out microscopic particles.

Additional Safety Topics

- ⚠ This tool and its accessories must not be modified.
- ⚠ This tool is not recommended for use in explosive atmospheres.
- ⚠ Operators and maintenance personnel must be physically able to handle the bulk, weight and power of the tool.
- ⚠ For professional use only.

SAFETY INSTRUCTIONS

DO NOT DISCARD - GIVE TO USER