

**INSTRUCTION MANUAL**

**Air Supply Requirements**

1. Supply tool with 90 psig (6.2 bar) of clean, dry air. Higher pressure drastically reduces tool life.
2. Connect tool to air line using pipe, hose and fitting sizes shown in the diagram on page 12.
3. Do not install a quick coupler directly into the grinder throttle handle.

**Lubrication**

1. Motor Use an air line lubricator with SAE #10 oil, adjusted to two drops per minute. If an air line lubricator cannot be used, add air motor oil to the inlet once a day.
2. Gears Remove screw (Index no.27). Use grease gun C098689 with Mobilux EP 2 or equal grease. Re install screw (Index no.27).

**Noise & Vibration Declaration\***

Sound pressure level 101.9 dB(A) in accordance with PN8NTC1.2. For sound power, add 10 dB(A).  
Vibration value 2.7 m/s<sup>2</sup>, re. ISO 8662 8

**Maintenance**

1. Disassemble and inspect air motor every three months if the tool is used every day. Replace damaged or worn parts.
2. High wear parts are underlined in the parts list.

\*These declared values were obtained by laboratory type testing in compliance with the stated standards and are not adequate for use in risk assessments. Values measured in individual work places may be higher than the declared values. The actual exposure values and risk of harm experienced by an individual user are unique and depend upon the way the user works, the workplace and the workstation design, as well as upon the exposure time and the physical condition of the user. We, Chicago Pneumatic, cannot be held liable for the consequences of using the declared values, instead of values reflecting the actual exposure, in an individual risk assessment in a work place situation over which we have no control.

**EC DECLARATION OF CONFORMITY**

We, Chicago Pneumatic Tool Company, 1800 Overview Drive, Rock Hill, SC 29730 USA, declare under our sole responsibility that the product to which this declaration relates, is in conformity with the requirements of the Council Directive of June 1998 on the approximation of the laws of the Member States relating to machinery (98/37/EC).

**Machine Name** CP857 Angle Grinder

**Machine Type** Power tool equipped with 5/8 in. spindle for use with various grinding wheels for grinding. No other use is permitted.

**Serial No.** Tools with No. 97001A or higher

**Technical Data**

Spindle 5/8 in. 11  
Wheel 7 in. (178 mm)  
Free speed 7,500 RPM  
Air pressure 90 psi (6.2 bar)

**Harmonized Standards Applied** EN ISO 12100

**National Standards Applied** ISO 8662 8/ISO 8662 4, PN8NTC1.2

**Name and Position of Issuer** Yves Antier, General Manager, Chicago Pneumatic Tool Company

**Signature of Issuer** 

**Place and Date of Issue** Rock Hill, SC 29730 USA, May 1, 1997

**MANUFACTURER'S LIMITED WARRANTY**

Limited Warranty: The "Products" of the Chicago Pneumatic Tool Company ("CP") are warranted to be free from defects in material and workmanship for one year from the date of purchase. This Warranty applies only to Products purchased new from CP or its authorized dealers. Of course, this Warranty does not apply to products which have been abused, misused, modified, or repaired by someone other than CP or its Authorized Service Representatives. If a CP Product proves defective in material or workmanship within one year after purchase, return it to any CP Factory Service Center or Authorized Service Center for CP tools, transportation prepaid, enclosing your name and address, adequate proof of date of purchase, and a short description of the defect. CP will, at its option, repair or replace defective Products free of charge. Repairs or replacements are warranted as described above for the remainder of the original warranty period. CP's sole liability and your exclusive remedy under this Warranty is limited to repair or replacement of the defective Product. **(There Are No Other Warranties Expressed Or Implied And CP Shall Not Be Liable For Incidental, Consequential, Or Special Damages, Or Any Other Damages, Costs Or Expenses Excepting Only The Cost Or Expense Of Repair Or Replacement As Described Above.)**

© Copyright 2004, Chicago Pneumatic, 1800 Overview Drive, Rock Hill, SC 29730 USA

All rights reserved. Any unauthorized use or copying of the contents or part thereof is prohibited. This applies in particular to trademarks, model denominations, part numbers and drawings.

Use only authorized parts. Any damage or malfunction caused by the use of unauthorized parts is not covered by Warranty or Product Liability.



**WARNING**

To reduce risk of injury, everyone using, installing, repairing, maintaining, changing accessories on, or working near this tool must read and understand these instructions before performing any such task.

# SAFETY INSTRUCTIONS

The goal of Chicago Pneumatic is to produce tools that help you work safely and efficiently. The most important safety device for this or any tool is YOU. Your care and good judgment are the best protection against injury. All possible hazards cannot be covered here, but we have tried to highlight some of the important ones.

**For Additional Safety Information Consult:**

- ▲ Your employer, union and/or trade association.
- ▲ US Department of Labor (OSHA); [www.osha.gov](http://www.osha.gov); Council of the European Communities [europe.osha.eu.int](http://europe.osha.eu.int)
- ▲ "Safety Requirements for the Use, Care and Protection of Abrasive Wheels" (ANSI B7.1) and "Safety Code for Portable Air Tools" (ANSI B186.1) available from: [www.ansi.org](http://www.ansi.org)
- ▲ "Safety Requirements for Hand Held Non Electric Power Tools" available from: European Committee for Standardization, [www.cenorm.be](http://www.cenorm.be)

**Air Supply And Connection Hazards**

- ▲ Air under pressure can cause severe injury.
- ▲ Always shut off air supply, drain hose of air pressure and disconnect tool from air supply when not in use, before changing accessories or when making repairs.
- ▲ Never direct air at yourself or anyone else.
- ▲ Whipping hoses can cause serious injury. Always check for damaged or loose hoses and fittings.
- ▲ Do not use quick disconnect couplings at tool. See instructions for correct setup.
- ▲ Whenever universal twist couplings are used, lock pins must be installed.
- ▲ Do not exceed maximum air pressure of 90 psi/6.2 bar or as stated on tool nameplate.

**Wheel Guard Usage**

- ▲ Always use the recommended wheel guard to prevent injury from broken grinding wheel parts.
- ▲ If a guard has withstood a wheel breakage do not continue to use it. It may be damaged.
- ▲ Position the guard between the grinding wheel and the operator.
- ▲ Use barriers to protect others from wheel fragments and grinding sparks.

**Projectile Hazards**

- ▲ Always wear impact resistant eye and face protection when involved with or near the operation, repair or maintenance of the tool or changing accessories on the tool.
- ▲ Be sure all others in the area are wearing impact resistant eye and face protection.
- ▲ Even small projectiles can injure eyes and cause blindness.
- ▲ A grinding wheel that bursts can cause very serious injury.
- ▲ Daily measure the air grinder speed with a tachometer to make sure it is not greater than the RPM marked on the grinding wheel.

- ▲ Never use a grinding wheel marked with a speed lower than the air grinder speed.

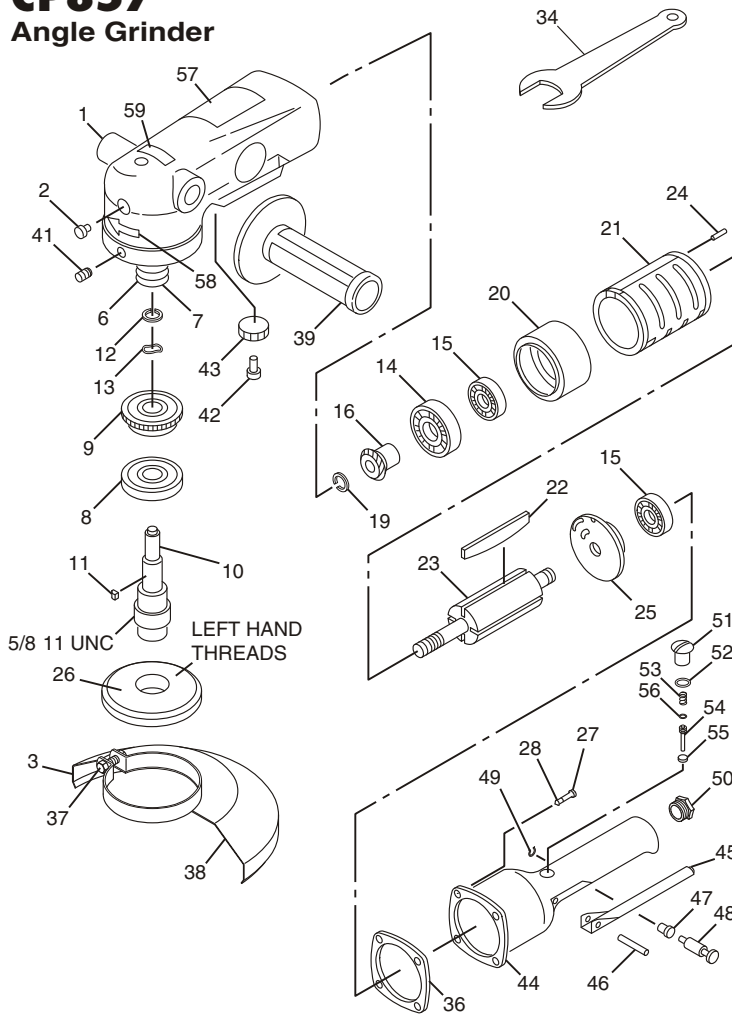
**Grinding Wheel Mounting Hazards**

- ▲ Correct grinding wheel mounting is necessary to prevent injury from broken wheels.
- ▲ Do not use chipped or cracked grinding wheels.
- ▲ Grinding wheels should be a free fit on the spindle to prevent stress at the hole.
- ▲ Use only wheel collars that come with the grinder for mounting the grinding wheel.
- ▲ Flat washers or other adapters may over stress the wheel. Always use heavy paper blotter discs between the wheel collars and the grinding wheel.
- ▲ Tighten the wheel on the spindle to prevent spin off when the air grinder is turned off.
- ▲ Before grinding, test grinding wheel by briefly running tool at full throttle. Be sure to use a barrier (such as under a heavy work table) to stop any possible broken wheel parts.

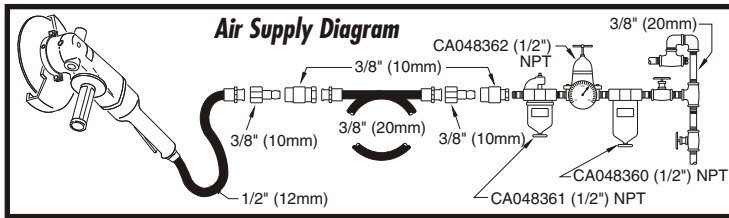
**Workplace Hazards**

- ▲ Slip/Trip/Fall is a major cause of serious injury or death. Be aware of excess hose left on the walking or work surface.
- ▲ High sound levels can cause permanent hearing loss. Use hearing protection as recommended by your employer or OSHA regulation (see 29 CFR part 1910).
- ▲ Maintain a balanced body position and secure footing.
- ▲ Repetitive work motions, awkward positions and exposure to vibration can be harmful to hands and arms. If numbness, tingling, pain or whitening of the skin occurs, stop using tool and consult a physician.
- ▲ Avoid inhaling dust or handling debris from the work process which can be harmful to your health. Use dust extraction and wear respiratory protective equipment when working with materials which produce airborne particles.
- ▲ Operators and maintenance personnel must be physically able to handle the bulk, weight and power of this tool.
- ▲ This tool is not intended for use in explosive atmospheres and is not insulated for contact with electric power sources.
- ▲ Some dust created by power sanding, sawing, grinding, drilling and other construction activities contains chemicals known to the State of California to cause cancer and birth defects or other reproductive harm. Some examples of these chemicals are:  
  - Lead from lead based paints
  - Crystalline silica bricks and cement and other masonry products
  - And Arsenic and chromium from chemically treated rubber
 Your risk from these exposures varies, depending on how often you do this type of work. To reduce your exposure to these chemicals: work in a well ventilated area, and work with approved safety equipment, such as dust masks that are specially designed to filter out microscopic particles.
- ▲ For professional use only.

# CP857 Angle Grinder



| Index No. | Part No. | Description                           | No. Req'd. |
|-----------|----------|---------------------------------------|------------|
| 1         | CA149485 | Housing Motor                         | 1          |
| 2         | C136897  | Screw Motor Housing                   | 1          |
| 3         | C139081  | Guard Wheel (Incl: Mounting Hardware) | 1          |
| 6         | C136846  | Spacer                                | 1          |
| 7         | C066652  | Bearing Ball                          | 1          |
| 8         | C066217  | Bearing Ball                          | 1          |
| 9         | CA149483 | Gear Bevel                            | 1          |
| 10        | C141025  | Shaft Gear (.62 in. 11)               | 1          |
| 11        | C136851  | Key                                   | 1          |
| 12        | S086817  | Ring Retaining                        | 1          |
| 13        | KF125323 | Washer Wavy                           | 1          |
| 14        | G072174  | Bearing Ball                          | 1          |
| 15        | S026055  | Bearing Ball                          | 2          |
| 16        | CA149484 | Pinion Bevel                          | 1          |
| 19        | C136859  | Ring Retaining                        | 1          |
| 20        | C136860  | Plate Front End                       | 1          |
| 21        | C136861  | Liner                                 | 1          |
| 22        | C136862  | Blade Rotor                           | 4          |
| 23        | C136863  | Rotor                                 | 1          |
| 24        | C136864  | Dowel                                 | 1          |
| 25        | C136865  | Plate Rear End                        | 1          |
| 26        | C136866  | Spacer Spindle                        | 1          |
| 27        | C127936  | Screw Socket Head                     | 4          |
| 28        | CA127043 | Lockwasher                            | 4          |
| 34        | C141027  | Wrench Spindle (.62 in. 11)           | 1          |
| 36        | C136876  | Gasket                                | 1          |
| 37        | C136877  | Screw Wheelguard                      | 1          |
| 38        | KF124494 | Nut Wheelguard                        | 1          |
| 39        | KF125174 | Handle Dead                           | 1          |
| 41        | C136881  | Screw Motor Housing                   | 1          |
| 42        | C136882  | Screw Cap                             | 1          |
| 43        | C136883  | Deflector Exhaust                     | 1          |
| 44        | CA157721 | Handle Live Air                       | 1          |
| 45        | C136885  | Lever Throttle Valve                  | 1          |
| 46        | C136886  | Pin Throttle Lever                    | 1          |
| 47        | C136887  | Spring Lock Pin                       | 1          |
| 48        | C136888  | Pin Lock                              | 1          |
| 49        | C136889  | Ring Retaining                        | 1          |
| 50        | C136890  | Bushing Inlet                         | 1          |
| 51        | C136938  | Screw Throttle Valve                  | 1          |
| 52        | KF125295 | O Ring Valve Screw                    | 1          |
| 53        | C136893  | Spring Throttle Valve                 | 1          |
| 54        | C136894  | Stem Valve                            | 1          |
| 55        | C136895  | O Ring Throttle Valve                 | 1          |
| 56        | CA148596 | Retainer O Ring                       | 1          |
| 57        | CA144007 | Warning Decal                         | 1          |
| 58        | C146046  | Label Rotation Arrow                  | 1          |
| 59        | CA157797 | Decal Guard Warning                   | 1          |
|           | P084363  | Wrench 3/8 Hex (Not Shown)            | 1          |
|           | C087920  | Adapter Comp (Not Shown)              | 1          |



## FOR DETAILED INFORMATION ABOUT CHICAGO PNEUMATIC AIR TOOLS AND EQUIPMENT CONTACT:

**HEADQUARTERS LOCATION  
UNITED STATES**  
Chicago Pneumatic Tool Company  
Automotive Division  
1800 Overview Drive  
Rock Hill, SC 29730  
Telephone: 1-803-817-7000  
1-800-367-2442 (USA only)  
Fax: 1-800-228-9096

**AUSTRALIA**  
Atlas Copco Tools Australia  
3 Bessemer Street  
Blacktown • Australia  
Telephone: 02-621-9482  
Fax: 02-671-5915

**BELGIQUE**  
Chicago Pneumatic Rep. Office  
Avenue Sluysmans 10-4030  
Liege • Belgium  
Tel/Fax: 04-343 8150

**BRASIL**  
Chicago Pneumatic Brasil  
Av. Mascote 159 V. Sta. Catarina  
04363-000  
Sao Paulo/SP • Brasil  
Telephone: (011) 562-7314  
Fax: (011) 563-9208

**CANADA**  
Chicago Pneumatic Tool Co.  
Automotive Division  
1800 Overview Drive  
Rock Hill, SC 29730  
Telephone: 1-803-817-7000  
Fax: 1-800-228-9096

**CENTRAL AMERICA**  
Contact Chicago Pneumatic/USA  
for names of CP Authorized  
Distributors in this area

**FRANCE**  
Espace Lumière  
Bâtiment S  
57, Boulevard de la République  
78403 Chatou Cédex. France  
Telephone: (0) 1 30 09 60 00  
Fax: (0) 1 30 71 96 70

**GERMANY**  
Desoutter GMBH  
Vehicle Service  
Edmund-Seng-strasse 3-5  
D-63477 Maintal, Germany  
Telephone: 49-0611-270120/22  
Fax: 49-0611-270140

**INDIA**  
Chicago Pneumatic Sales  
Chemtex House, First Floor  
Main Street  
Hiranadani Gardens  
Powai, Mumbai 400076, India  
Telephone: (22)25704907  
(22)25708984  
Fax: (22)25705042

**ITALY**  
Desoutter Italiana S.R.L.  
Viale Della Repubblica, 65  
20035 Lissone (Milano)

**MEXICO**  
Chicago Pneumatic Tool  
Company Mexico  
San Francisco #223  
Valle Dorado, Tlalnepanitla  
C.P. 54020 • Mexico  
Telephone: 525-378-0754  
Fax: 525-378-0753

**SOUTH AFRICA**  
Chicago Pneumatic Tool  
Company, S.A.  
20 Anvil Road  
PO Box 105  
Isando 1600, Transvaal  
South Africa  
Telephone: 011-9746761  
Fax: 011-974-2324

**SOUTH AMERICA**  
Contact Chicago Pneumatic/USA  
for names of CP Authorized  
Distributors in this area

**SOUTHEAST ASIA**  
Chicago Pneumatic Tool  
Company Regional Office  
P.O. Box 1516  
Unit 2103 - Citimark  
28 Yuen Shun Circuit  
Shatin  
New Territories, Hong Kong  
Telephone: (852) 3570963  
Fax: 852-763-1875

**SPAIN**  
Desoutter S.A.  
C. Serrano, 120  
28006 Madrid, Spain  
Telephone: 91 590 31 52  
Fax: 91 590 31 61

**SWEDEN**  
Chicago Pneumatic  
Distributor Markets  
Sickla Industriväg 7  
S-131 34 Nacka • Sweden  
Telephone: 46 8743 9329  
Fax: 46-8743 9427

**UNITED KINGDOM**  
Chicago Pneumatic  
Tool Company, Ltd.  
P.O. Box 241  
Eaton Road  
Hemel Hempstead, Herts HP2 7DR  
England  
Domestic: 01442-847703/06  
Export: 01442-232420/17  
Fax: 01442-2847723

Visit our website:  
<http://www.cp.com>