

## INSTRUCTION MANUAL

### Air Supply Requirements

1. Supply tool with 90 psig (6.2 bar) of clean, dry air. Higher pressure drastically reduces tool life.
2. Connect tool to air line using pipe, hose and fitting sizes shown in the diagram on page 12.
3. Do not install a quick coupler directly into the tool throttle handle.

### Lubrication

Use an air line lubricator with SAE #10 oil, adjusted to two drops per minute. If an air line lubricator cannot be used, add air motor oil to the inlet once a day.

### Noise & Vibration Declaration\*

Sound pressure level 85 dB(A) in accordance with Pneuop 8N-1. For sound power, add 10 dB(A).  
Vibration value 3.3 m/s<sup>2</sup> re. ISO 8662-1

### Maintenance

1. Disassemble and inspect air motor every three months if the tool is used every day. Replace damaged or worn parts.
2. High wear parts are underlined in the parts list.

\*These declared values were obtained by laboratory type testing in compliance with the stated standards and are not adequate for use in risk assessments. Values measured in individual work places may be higher than the declared values. The actual exposure values and risk of harm experienced by an individual user are unique and depend upon the way the user works, the workpiece and the workstation design, as well as upon the exposure time and the physical condition of the user. We, Chicago Pneumatic, cannot be held liable for the consequences of using the declared values, instead of values reflecting the actual exposure, in an individual risk assessment in a workplace situation over which we have no control.



## WARNING

To reduce risk of injury, everyone using, installing, repairing, maintaining, changing accessories on, or working near this tool must read and understand these instructions before performing any such task.

The goal of Chicago Pneumatic is to produce tools that help you work safely and efficiently. The most important safety device for this or any tool is YOU. Your care and good judgment are the best protection against injury. All possible hazards cannot be covered here, but we have tried to highlight some of the important ones.

### For Additional Safety Information Consult:

Your employer, union and/or trade association.  
US Department of Labor (OSHA); [www.osha.gov](http://www.osha.gov); Council of the European Communities [europe.osha.eu.int](http://europe.osha.eu.int)  
"Safety Code for Portable Air Tools" (ANSI B186.1) available from: [www.ansi.org](http://www.ansi.org)  
"Safety Requirements for Hand-Held Non-Electric Power Tools" available from: European Committee for Standardization, [www.cenorm.be](http://www.cenorm.be)

### Air Supply and Connection Hazards

Air under pressure can cause severe injury.  
Always shut off air supply, drain hose of air pressure and disconnect tool from air supply when not in use, before changing accessories or when making repairs.  
Never direct air at yourself or anyone else.  
Whipping hoses can cause serious injury. Always check for damaged or loose hoses and fittings.  
Do not use quick disconnect couplings at tool. See instructions for correct set-up.  
Whenever universal twist couplings are used, lock pins must be installed.  
Do not exceed maximum air pressure of 90 psi/6.2 bar or as stated on tool nameplate.

### Projectile Hazards


Always wear impact-resistant eye and face protection when involved with or near the operation, repair or maintenance of the tool or changing accessories on the tool.  
Be sure all others in the area are wearing impact-resistant eye and face protection.  
Even small projectiles can injure eyes and cause blindness.

### Operating Hazards

Always shut off air supply, relieve hose of air pressure and disconnect tool from air supply when changing accessories.  
Cutting with these tools will create sharp edges. Wear gloves to protect hands.

## EC DECLARATION OF CONFORMITY

We, Chicago Pneumatic Tool Company, 1800 Overview Road, Rock Hill, SC 29730 USA, declare under our sole responsibility that the product to which this declaration relates, is in conformity with the requirements of the Council Directive of June 1989 on the approximation of the laws of the Member States relating to machinery (89/392/EEC).

Machine Name CP861 2-7/8" Cut-Off Tool  
Machine Type Power tool equipped for use with 3 in. diameter cutting wheels for metal cutting - No other use is permitted  
Serial No. Tools with No. 94200K, 01140L or higher  
Technical Data  
2.8 in. (73 mm) wheel capacity  
Free speed 20,500 RPM  
Air pressure 90 psi (6.2 bar)  
Air consumption 17 cfm  
Harmonized Standards Applied EN292  
National Standards Applied ISO 8662-1, Pneuop 8N-1  
Name and Position of Issuer W. A. LeNeveu, President, Chicago Pneumatic Tool Company  
Signature of Issuer   
Place and Date of Issue Utica, NY 13501 USA, July 31, 1994

## MANUFACTURER'S LIMITED WARRANTY

Limited Warranty: The "Products" of the Chicago Pneumatic Tool Company ("CP") are warranted to be free from defects in material and workmanship for one year from the date of purchase. This Warranty applies only to Products purchased new from CP or its authorized dealers. Of course, this Warranty does not apply to products which have been abused, misused, modified, or repaired by someone other than CP or its Authorized Service Representatives. If a CP Product proves defective in material or workmanship within one year after purchase, return it to any CP Factory Service Center or Authorized Service Center for CP tools, transportation prepaid, enclosing your name and address, adequate proof of date of purchase, and a short description of the defect. CP will, at its option, repair or replace defective Products free of charge. Repairs or replacements are warranted as described above for the remainder of the original warranty period. CP's sole liability and your exclusive remedy under this Warranty is limited to repair or replacement of the defective Product. (There Are No Other Warranties Expressed. Or Implied And CP Shall Not Be Liable For Incidental, Consequential, Or Special Damages, Or Any Other Damages, Costs Or Expenses Excepting Only The Cost Or Expense Of Repair Or Replacement As Described Above.)

## SAFETY INSTRUCTIONS

Avoid direct contact with accessory and work surface during and after work.  
Cutting edges and saw blades can become hot during use. Do not touch.  
Never force the tool to cut faster or through heavier gauge material than rated capacity.  
To prevent damage to the tool and accessory, accessory must be held firmly against work surface while cutting.

### Workplace Hazards

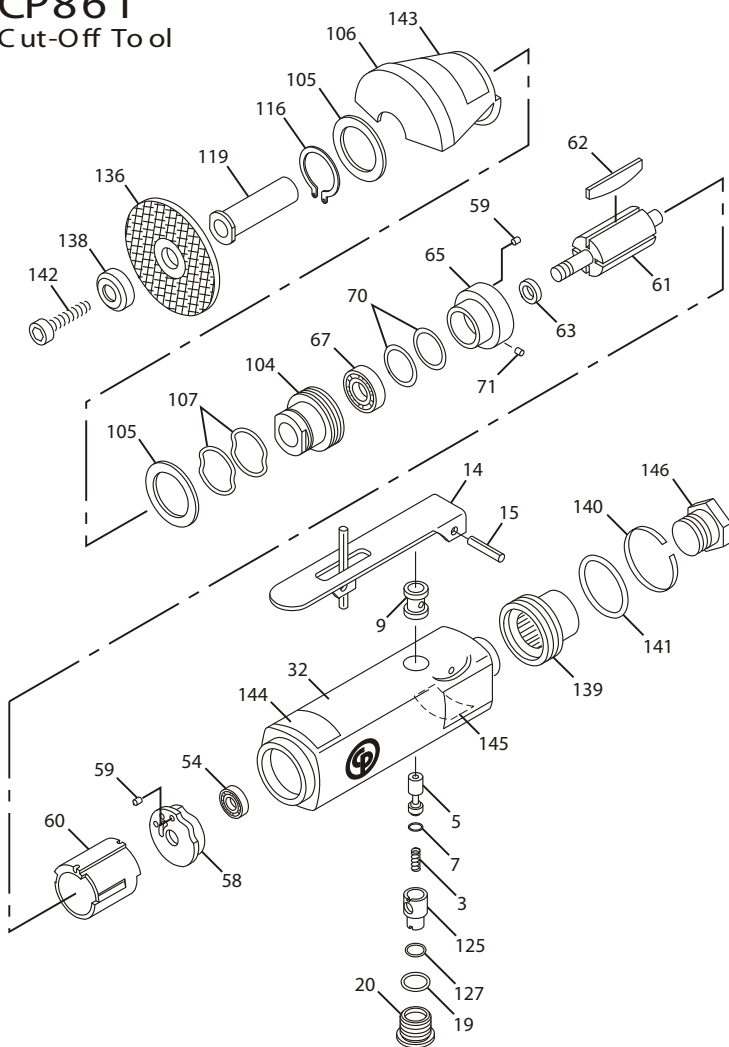
Slip/Trip/Fall is a major cause of serious injury or death. Be aware of excess hose left on the walking or work surface.  
High sound levels can cause permanent hearing loss. Use hearing protection as recommended by your employer or OSHA regulation (see 29 CFR part 1910).  
Maintain a balanced body position and secure footing.  
Repetitive work motions, awkward positions and exposure to vibration can be harmful to hands and arms. If numbness, tingling, pain or whitening of the skin occurs, stop using tool and consult a physician.  
Avoid inhaling dust or handling debris from the work process which can be harmful to your health. Use dust extraction and wear respiratory protective equipment when working with materials which produce airborne particles.  
Proceed with care in unfamiliar surroundings. Be aware of potential hazards created by your work activity.  
Some dust created by power sanding, sawing, grinding, drilling and other construction activities contains chemicals known to the State of California to cause cancer and birth defects or other reproductive harm. Some examples of these chemicals are:  
- Lead from lead based paints  
- Crystalline silica bricks and cement and other masonry products  
- And Arsenic and chromium from chemically-treated rubber  
Your risk from these exposures varies, depending on how often you do this type of work. To reduce your exposure to these chemicals: work in a well ventilated area, and work with approved safety equipment, such as dust masks that are specially designed to filter out microscopic particles.

### Additional Safety Topics

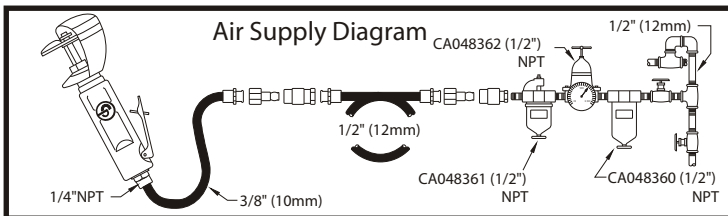
This tool and its accessories must not be modified.  
This tool is not intended for use in an explosive atmosphere and is not insulated for contact with electric power sources.  
Operators and maintenance personnel must be capable of handling the power of the tool and performing the job task.  
For professional use only

# CP861

## Cut-Off Tool



Index No.	Part No.	Description	No. Req'd.
3	KF124504	Spring-Throttle Valve	1
5	KF124505	Valve-Throttle	1
7	C100129	O-Ring	1
9	KF124507	Bushing-Throttle Valve	1
14	C138731	Lever - Throttle (Lock-Off)	1
15	C114089	Pin-Roll	1
19	A043001	O-Ring	1
20	KF124511	Plug-Throttle Valve	1
32	KF136521	Housing-Motor (Incl: Index No's 9 & 146)	1
54	S039709	Bearing Ball	1
58	KF125474	Plate-Rear End (Includes:Index No. 59)	1
59	KF127209	Pin-Roll	2
60	KF125477	Liner	1
61	KF124517	Rotor	1
62	KF138243	Blade-Rotor Set (4)	1
63	KF124519	Collar-Rotor	1
65	KF125473	Plate- Front End (Includes; Index Nos. 59 & 71)	1
67	C120326	Bearing-Ball	1
70	KF124522	Shim (As Required)	1
71	KF127208	Pin-Roll	1
104	KF136289	Nut-Clamp	1
105	KF136291	Spacer-Guard	2
106	KF136295	Guard-Wheel	1
107	KF136294	Washer-Wave	2
116	KF136293	Ring-Ext. Retaining	1
119	KF136290	Spindle-Wheel (Model K)	1
	CA157943	Spindle-Wheel (Model L)	1
125	KF124528	Regulator-Air	1
127	P083071	O-Ring	1
136	CA155312	Wheel-Cutting 2-7/8 in. (5 Pack)	1
138	KF136292	Washer-Wheel (Model K)	1
	CA157944	Washer-Wheel (Model L)	1
139	KF125475	Sleeve-Exhaust	1
140	KF125476	Ring Snap	1
141	P092536	O-Ring	1
142	KF136505	Screw-Hex Head Cap	1
	KF136246	Wrench-Spindle (Not Shown)	1
143	KF136500	Decal-Caution	1
144	CA144813	Decal-Warning	1
145	CA157797	Decal-Guard Warning	1
146	8940158447	Inlet Bushing	1



### FOR DETAILED INFORMATION ABOUT CHICAGO PNEUMATIC AIR TOOLS AND EQUIPMENT CONTACT:

#### HEADQUARTERS LOCATION

**UNITED STATES**  
Chicago Pneumatic Tool Company  
Automotive Division  
1800 Overview Drive  
Rock Hill, SC 29730  
Telephone: 1-803-817-7000  
1-800-367-2442 (USA only)  
Fax: 1-800-228-9096

#### AUSTRALIA

Atlas Copco Tools Australia  
3 Bessemer Street  
Blacktown • Australia  
Telephone: 02-621-9482  
Fax: 02-671-5915

#### BELGIQUE

Chicago Pneumatic Rep. Office  
Avenue Sluysmans 10-4030  
Liege • Belgium  
Tel/Fax: 04-343 8150

#### BRASIL

Chicago Pneumatic Brasil  
Av. Mascote 159 V. Sta. Catarina  
04363-000  
Sao Paulo/SP • Brasil  
Telephone: (011) 562-7314  
Fax: (011) 563-9208

#### CANADA

Chicago Pneumatic Tool Co.  
Automotive Division  
1800 Overview Drive  
Rock Hill, SC 29730  
Telephone: 1-803-817-7000  
Fax: 1-800-228-9096

#### CENTRAL AMERICA

Contact Chicago Pneumatic/USA  
for names of CP Authorized  
Distributors in this area

#### GERMANY

Desoutter GmbH  
Paul-Friedlander-Str  
65203 Wiesbaden • Germany  
Telephone: 49-0611-270120/22  
FAX: 49-0611-270140

#### INDIA

Consolidated Pneumatic Tool  
Company (India) Ltd.  
301/302, L.B. Shastri Marg  
P.O. Box 7761  
Mulund, Bombay 400 080 • India  
Phone: 91-22-564-0011  
Fax: 91-22-564-7687  
Telex: 1171990 CPT I N

#### ITALY

Desoutter Italiana S.R.L.  
Viale Della Repubblica, 65  
20035 Lisson (Milano)

#### MEXICO

Chicago Pneumatic Tool  
Company Mexico  
San Francisco #223  
Valle Dorado, Tlalnepantla  
C.P. 54020 • Mexico  
Telephone: 525-378-0754  
FAX: 525-378-0753

#### SOUTH AFRICA

Chicago Pneumatic Tool  
Company, S.A.  
20 Anvil Road  
PO Box 105  
Isando 1600, Transvaal  
South Africa  
Phone: 011-9746761  
Fax: 011-974-2324

#### SOUTH AMERICA

Contact Chicago Pneumatic/USA  
for names of CP Authorized  
Distributors in this area

#### SOUTHEAST ASIA

Chicago Pneumatic Tool  
Company Regional Office  
P.O. Box 1516  
Unit 2103 - Citimark  
28 Yuen Shun Circuit  
Shatin  
New Territories, Hong Kong  
Telephone: (852) 3570963  
FAX: 852-763-1875

#### SWEDEN

Chicago Pneumatic  
Distributor Markets  
Sickla Industriväg 7  
S-131 34 Nacka • Sweden  
Telephone: 46 8743 9329  
Fax: 46-8743 9427

#### UNITED KINGDOM

Chicago Pneumatic  
Tool Company, Ltd.  
P.O. Box 241  
Eatons Road  
Hemel Hempstead, Herts HP2 7DR  
England  
Domestic: 01442-847703/06  
Export: 01442-232420/17  
FAX: 01442-2847723

Visit our website:  
<http://www.chicagopneumatic.com>