



INSTRUCTION MANUAL

Air Supply Requirements

1. Supply tool with 90 psig (6.2 bar) of clean, dry air. Higher pressure drastically reduces tool life.
2. Connect tool to air line using pipe, hose and fitting sizes shown in the diagram on page 12.

Lubrication

Use an air line lubricator with SAE #10 oil, adjusted to two drops per minute. If an air line lubricator cannot be used, add air motor oil to the inlet once a day.

Noise & Vibration Declaration*

Sound pressure level 94 dB(A) in accordance with Pneuop 8N-1. For sound power, add 10 dB(A).
Vibration value 2.5 m/s² re. ISO 8662-1

Maintenance

1. Disassemble and inspect air motor every three months if the tool is used every day. Replace damaged or worn parts.
2. High wear parts are underlined in the parts list.

*These declared values were obtained by laboratory type testing in compliance with the stated standards and are not adequate for use in risk assessments. Values measured in individual work places may be higher than the declared values. The actual exposure values and risk of harm experienced by an individual user are unique and depend upon the way the user works, the workpiece and the workstation design, as well as upon the exposure time and the physical condition of the user. We, Chicago Pneumatic, cannot be held liable for the consequences of using the declared values, instead of values reflecting the actual exposure, in an individual risk assessment in a work place situation over which we have no control.



WARNING

To reduce risk of injury, everyone using, installing, repairing, maintaining, changing accessories on, or working near this tool must read and understand these instructions before performing any such task.

The goal of Chicago Pneumatic is to produce tools that help you work safely and efficiently. The most important safety device for this or any tool is YOU. Your care and good judgment are the best protection against injury. All possible hazards cannot be covered here, but we have tried to highlight some of the important ones.

For Additional Safety Information Consult:

- ⚠ Your employer, union and/or trade association.
- ⚠ US Department of Labor (OSHA); www.osha.gov; Council of the European Communities europe.osha.eu.int
- ⚠ "Safety Code for Portable Air Tools" (B186.1) available from: www.ansi.org
- ⚠ "Safety Requirements for Hand-Held Non-Electric Power Tools" available from: European Committee for Standardization, www.cenorm.be

Air Supply And Connection Hazards

- ⚠ Air under pressure can cause severe injury.
- ⚠ Always shut off air supply, drain hose of air pressure and disconnect tool from air supply when not in use, before changing accessories or when making repairs.
- ⚠ Never direct air at yourself or anyone else.
- ⚠ Whipping hoses can cause serious injury. Always check for damaged or loose hoses and fittings.
- ⚠ Do not use quick disconnect couplings at tool. See instructions for correct setup.
- ⚠ Whenever universal twist couplings are used, lock pins must be installed.
- ⚠ Do not exceed maximum air pressure of 90 psi/6.2 bar or as stated on tool nameplate.

Projectile Hazards

- ⚠ Always wear impact-resistant eye and face protection when involved with or near the operation, repair or maintenance of the tool or changing accessories on the tool.
- ⚠ Be sure all others in the area are wearing impact-resistant eye and face protection.
- ⚠ Even small projectiles can injure eyes and cause blindness.

Entanglement Hazards

- ⚠ Keep away from rotating bit and chuck.
- ⚠ Do not wear jewelry or loose clothing.
- ⚠ You can be cut or burned if you come in contact with the drill bit, chips or work surface.
- ⚠ Use intermittent drill pressure to avoid long shaved chips.

EC DECLARATION OF CONFORMITY

We, Chicago Pneumatic Tool Company, 1800 Overview Drive, Rock Hill, SC 29730 USA, declare under our sole responsibility that the product to which this declaration relates, is in conformity with the requirements of the Council Directive of June 1989 on the approximation of the laws of the Member States relating to machinery (89/392/EEC).

Machine Name CP879 Angle Drill

Machine Type Power tool equipped with 3/8" (9 mm) drill chuck for use with various drill bits for drilling holes - No other use is permitted.

Serial No. Tools with No. 94001A or higher

Technical Data

3/8" (9 mm) drill chuck

Free speed 1800 RPM

Air pressure 90 psi (6.2 bar)

Air consumption 4 cfm

Harmonized Standards Applied EN292

National Standards Applied ISO 8662-1, Pneuop 8N-1

Name and Position of Issuer W. A. LeNeveu, President, Chicago Pneumatic Tool Company

Signature of Issuer

Place and Date of Issue Utica, NY 13501 USA, July 31, 1994

MANUFACTURER'S LIMITED WARRANTY

Limited Warranty: The "Products" of the Chicago Pneumatic Tool Company ("CP") are warranted to be free from defects in material and workmanship for one year from the date of purchase. This Warranty applies only to Products purchased new from CP or its authorized dealers. Of course, this Warranty does not apply to products which have been abused, misused, modified, or repaired by someone other than CP or its Authorized Service Representatives. If a CP Product proves defective in material or workmanship within one year after purchase, return it to any CP Factory Service Center or Authorized Service Center for CP tools, transportation prepaid, enclosing your name and address, adequate proof of date of purchase, and a short description of the defect. CP will, at its option, repair or replace defective Products free of charge. Repairs or replacements are warranted as described above for the remainder of the original warranty period. CP's sole liability and your exclusive remedy under this Warranty is limited to repair or replacement of the defective Product. (There Are No Other Warranties Expressed Or Implied And CP Shall Not Be Liable For Incidental, Consequential, Or Special Damages, Or Any Other Damages, Costs Or Expenses Excepting Only The Cost Or Expense Of Repair Or Replacement As Described Above.)

SAFETY INSTRUCTIONS

- ⚠ Scalping can occur if hair is not kept away from tool and accessories.
- ⚠ Choking can occur if neckwear is not kept away from tool and accessories.

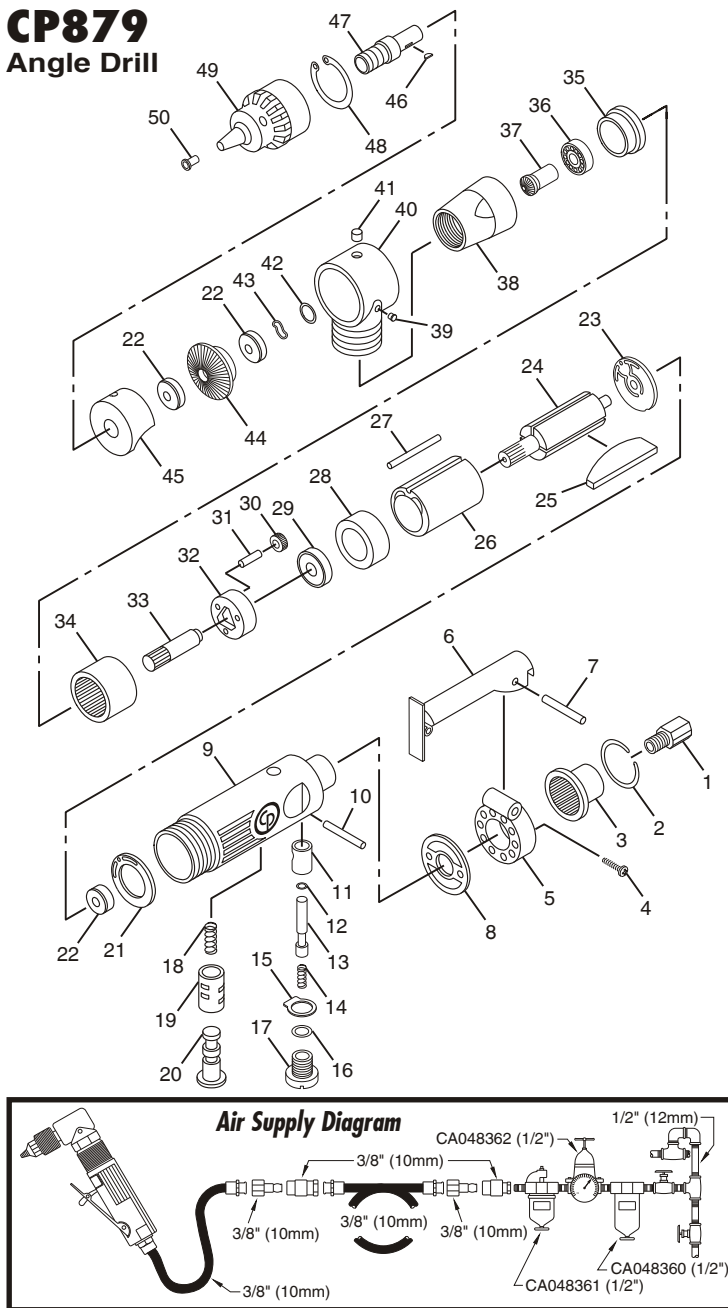
Bit Binding Hazards

- ⚠ The drill bit can suddenly bind and cause the work piece or tool to rotate, causing arm and shoulder injuries.
- ⚠ Enough torque is generated to cause falls.
- ⚠ Always use sharp bits.
- ⚠ Reduce downward pressure at breakthrough.
- ⚠ ANSI recommends the use of a support handle on drills with a chuck capacity larger than 3/8 in. or 10 mm.
- ⚠ Operators and maintenance personnel must be physically able to handle the bulk, weight and power of this tool.

Workplace Hazards

- ⚠ Slip/Trip/Fall is a major cause of serious injury or death. Be aware of excess hoses left on the walking or work surface.
 - ⚠ Maintain a balanced body position and secure footing.
 - ⚠ High sound levels can cause permanent hearing loss. Use hearing protection as recommended by your employer or OSHA regulation (see 29 CFR part 1910).
 - ⚠ Repetitive work motions, awkward positions and exposure to vibration can be harmful to hands and arms. If numbness, tingling, pain or whitening of the skin occurs, stop using tool and consult a physician.
 - ⚠ Avoid inhaling dust or handling debris from the work process which can be harmful to your health. Use dust extraction and wear respiratory protective equipment when working with materials which produce airborne particles.
 - ⚠ Proceed with care in unfamiliar surroundings. Hidden hazards may exist, such as drilling into electric or other utility lines.
 - ⚠ This tool is not intended for use in an explosive atmosphere and is not insulated for contact with electric power sources.
 - ⚠ Some dust created by power sanding, sawing, grinding, drilling and other construction activities contains chemicals known to the State of California to cause cancer and birth defects or other reproductive harm. Some examples of these chemicals are:
 - Lead from lead based paints
 - Crystalline silica bricks and cement and other masonry products
 - And Arsenic and chromium from chemically-treated rubber
- Your risk from these exposures varies, depending on how often you do this type of work. To reduce your exposure to these chemicals: work in a well ventilated area, and work with approved safety equipment, such as dust masks that are specially designed to filter out microscopic particles.

CP879 Angle Drill



Index No.	Part No.	Description	No. Req'd.
1	CA144942	Bushing-Air Inlet	1
2	CA144871	Ring-Retaining	1
3	CA144872	Deflector-Exhaust	1
4	CA144943	Screw	2
5	CA144944	Cover-Housing	1
6	CA144945	Lever-Throttle	1
7	CA144878	Pin-Roll	1
8	CA144946	Gasket-Housing Cover	1
9	CA144947	Housing-Motor	1
10	CA144948	Pin-Roll	1
11	CA144949	Bushing-Throttle Valve	1
12	CA144950	O-Ring	1
13	CA144951	Valve-Throttle	1
14	CA144952	Spring-Throttle Valve	1
15	CA144953	Ring-Retaining	1
16	CA144882	O-Ring	1
17	CA144955	Plug-Throttle Valve	1
18	CA144956	Spring-Reverse Valve	1
19	CA144957	Bushing-Reverse Valve	1
20	CA144958	Valve-Reverse	1
21	CA144959	Gasket-Motor Housing	1
22	CA144885	Bearing-Ball	1
23	CA144960	Plate-Rear End	1
24	CA144961	Rotor	1
25	CA144962	Blade Set-Rotor (5)	1
26	CA144963	Liner	1
27	CA144964	Dowel-Liner	1
28	CA144965	Plate-Front End	1
29	CA144966	Bearing-Ball	1
30	CA144967	Gear-Idler	3
31	CA144968	Shaft-Gear	3
32	CA144969	Cage-Gear	1
33	CA144970	Spindle	1
34	CA144971	Gear-Internal	1
35	CA144972	Housing-Bearing	1
36	CA144973	Bearing-Ball	1
37	CA144974	Pinion	1
38	CA144975	Nut-Clamp	1
39	CA144976	Cap-Oil	1
40	CA144977	Housing-Head (Incl: Index No. 39)	1
41	CA144978	Screw-Set	1
42	CA144979	Ring-Retaining	1
43	CA144980	Washer	1
44	CA144981	Gear-Bevel	1
45	CA144982	Housing-Bearing	1
46	CA144983	Key	1
47	CA144984	Spindle	1
48	CA144985	Ring-Retaining	1
49	CA144898	Chuck-Drill 3/8 in.	1
50	CA144986	Screw	1
53	CA144007	Decal-Safety Warning (not shown)	1
	CA144906	Motor Assy. (Incl: Index Nos. 22, 23, 24, 25, 26, 27, 28 & 29) Angle Head Assy. (Incl: Index Nos. 22, 40, 41, 42, 43, 44, 45, 46, 47 & 48)	1
	CA144907	Key-Chuck	1
	CA121582	Bearing-Ball	1
	CA146517	Bearing-Ball	1

FOR DETAILED INFORMATION ABOUT CHICAGO PNEUMATIC AIR TOOLS AND EQUIPMENT CONTACT:

HEADQUARTERS LOCATION UNITED STATES

Chicago Pneumatic Tool Company
Automotive Division
1800 Overview Drive
Rock Hill, SC 29730
Telephone: 1-803-817-7000
1-800-367-2442 (USA only)
Fax: 1-800-228-9096

AUSTRALIA

Atlas Copco Tools Australia
3 Bessemer Street
Blacktown • Australia
Telephone: 02-621-9482
Fax: 02-671-5915

BELGIQUE

Chicago Pneumatic Rep. Office
Avenue Sluysmans 10-4030
Liege • Belgium
Tel/Fax: 04-343 8150

BRASIL

Chicago Pneumatic Brasil
Av. Mascote 159 V. Sta. Catarina
04363-000
Sao Paulo/SP • Brasil
Telephone: (011) 562-7314
Fax: (011) 563-9208

CANADA

Chicago Pneumatic Tool Co.
Automotive Division
1800 Overview Drive
Rock Hill, SC 29730
Telephone: 1-803-817-7000
Fax: 1-800-228-9096

CENTRAL AMERICA

Contact Chicago Pneumatic/USA
for names of CP Authorized
Distributors in this area

GERMANY

Desoutter GMBH
Paul-Friedlander-Str
65203 Wiesbaden • Germany
Telephone: 49-0611-270120/22
FAX: 49-0611-270140

INDIA

Consolidated Pneumatic Tool
Company (India) Ltd.
301/302, L.B. Shastri Marg
P.O. Box 7761
Mulund, Bombay 400 080 • India
Phone: 91-22-564-0011
Fax: 91-22-564-7687
Telex: 1171990 CPT I N

ITALY

Desoutter Italiana S.R.L.
Viale Della Repubblica, 65
20035 Lisson (Milano)

MEXICO

Chicago Pneumatic Tool
Company Mexico
San Francisco #223
Valle Dorado, Tlalnepantla
C.P. 54020 • Mexico
Telephone: 525-378-0754
FAX: 525-378-0753

SOUTH AFRICA

Chicago Pneumatic Tool
Company, S.A.
20 Anvil Road
PO Box 105
Isando 1600, Transvaal
South Africa
Phone: 011-9746761
Fax: 011-974-2324

SOUTH AMERICA

Contact Chicago Pneumatic/USA
for names of CP Authorized
Distributors in this area

SOUTHEAST ASIA

Chicago Pneumatic Tool
Company Regional Office
P.O. Box 1516
Unit 2103 - Citimark
28 Yuen Shun Circuit
Shatin
New Territories, Hong Kong
Telephone: (8522) 3570963
FAX: 852-763-1875

SWEDEN

Chicago Pneumatic
Distributor Markets
Sickla Industriväg 7
S-131 34 Nacka • Sweden
Telephone: 46 8743 9329
Fax: 46-8743 9427

UNITED KINGDOM

Chicago Pneumatic
Tool Company, Ltd.
P.O. Box 241
Eaton Road
Hemel Hempstead, Herts HP2 7DR
England
Domestic: 01442-847703/06
Export: 01442-232420/17
FAX: 01442-2847723

Visit our website:
<http://www.chicagopneumatic.com>