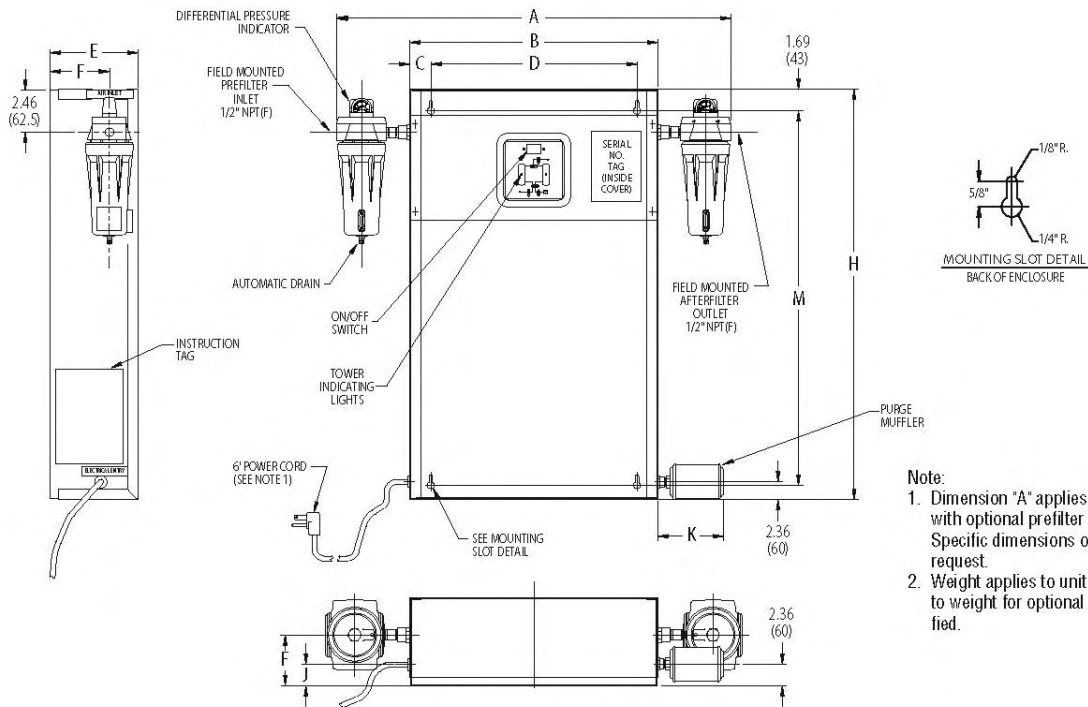


MODEL NUMBER	DIMENSIONS in (mm)										WEIGHT lb (kg)
	A	B	C	D	E	F	H	J	K	M	
7	28.02 (712)	17.52 (445)	1.15 (29)	15.23 (387)	6.69 (170)	3.74 (95)	30.5 (775)	3.74 (95)	5.31 (135)	27.5 (699)	55 (25)
13	28.02 (712)	17.52 (445)	1.15 (29)	15.23 (387)	6.69 (170)	3.74 (95)	30.5 (775)	3.74 (95)	5.31 (135)	27.5 (699)	60 (27)
20	28.02 (712)	17.52 (445)	1.15 (29)	15.23 (387)	6.69 (170)	3.74 (95)	30.5 (775)	3.74 (95)	5.31 (135)	27.5 (699)	71 (32)
25	34.87 (886)	24.37 (619)	1.68 (43)	21 (533)	8.54 (217)	6.73 (171)	31.6 (803)	4.25 (108)	6.22 (158)	27.5 (699)	93 (42)
30	34.87 (886)	24.37 (619)	1.68 (43)	21 (533)	8.54 (217)	6.73 (171)	31.6 (803)	4.25 (108)	6.22 (158)	27.5 (699)	93 (42)
35	34.87 (886)	24.37 (619)	1.68 (43)	21 (533)	8.54 (217)	6.73 (171)	31.6 (803)	4.25 (108)	6.22 (158)	27.5 (699)	99 (45)
50	34.87 (886)	24.37 (619)	1.68 (43)	21 (533)	8.54 (217)	6.73 (171)	43.3 (1100)	4.25 (108)	6.22 (158)	39.3 (998)	132 (60)



- Note:
1. Dimension "A" applies only to units equipped with optional prefilter and afterfilter package. Specific dimensions of filters available upon request.
  2. Weight applies to unit only, add 6-1/2 lbs. (3kg) to weight for optional filter package when specified.

Maximum Operating Pressure: 150 psig, 10.5 kgf/cm <sup>2</sup>
Maximum Operating Temperature: 120°F, 49°C