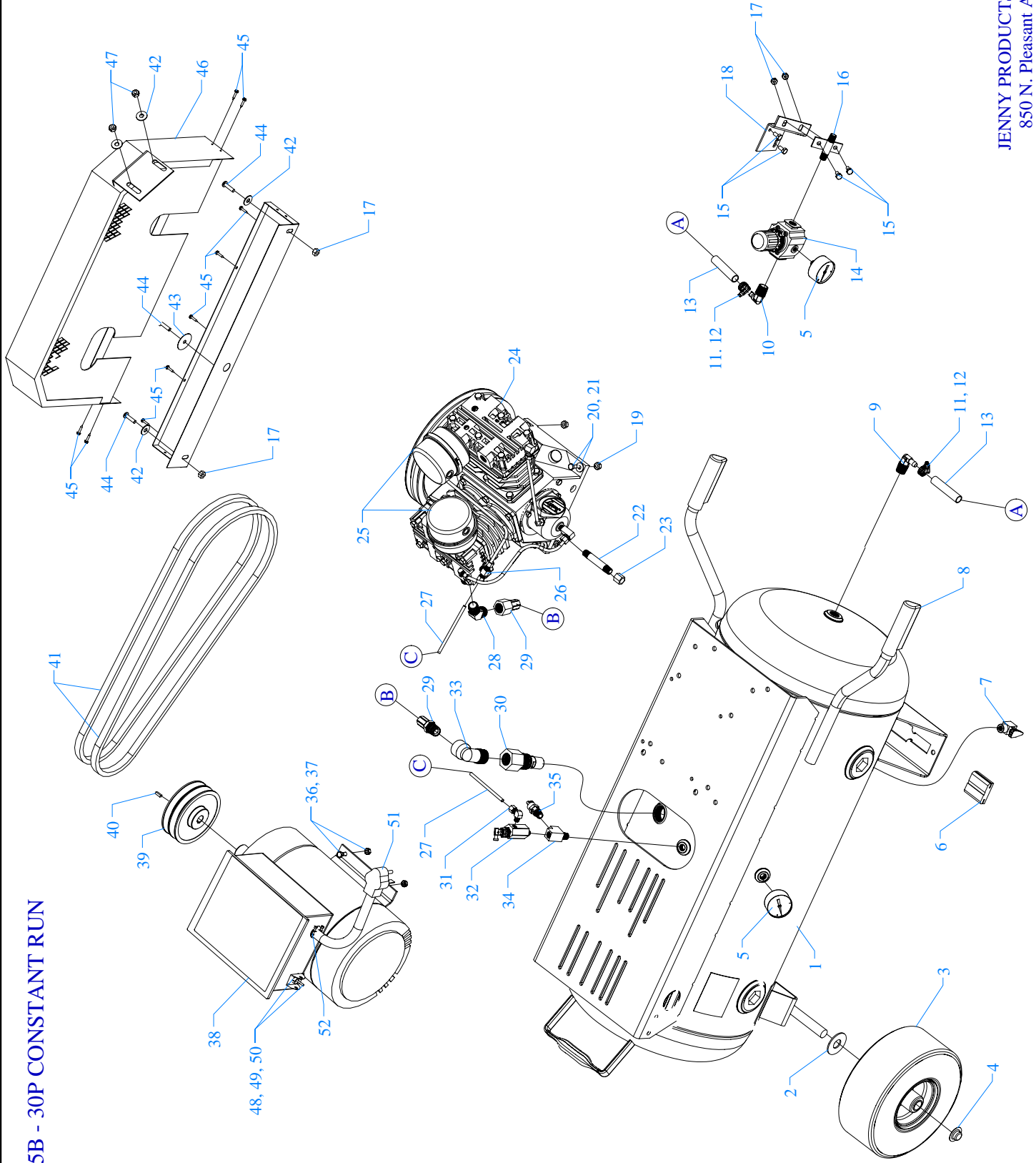


MODEL W5B - 30P CONSTANT RUN



JENNY PRODUCTS, INC.  
 850 N. Pleasant Ave.  
 Somerset, Pennsylvania 15501

## Parts List for Model W5B-30P

NOTE: The quantity number indicates the total number of pieces required for a complete unit repair.  
 When ordering parts give compressor model, serial number and part number. Order assemblies when possible.

<u>REF. NO.</u>	<u>PART NO.</u>	<u>DESCRIPTION</u>	<u>QTY.</u>
1	411-1191	TANK,PORTBL,30G,UM,G&GT&J&W	1
2	JP2036-03	WASHER,STEEL,3/4ID,SAE	2
3	JP2643-F	WHEEL,PNEUMATIC,10"ODX3/4"ID,BALLBRNG	2
4	120-1257	NUT,PAL,ST,PL,3/4"	2
5	142-1000	GAUGE,PSI,200#,BK MT,JENNY,2",1/4NPT,PG2	2
6	104-1251	PAD,RUBBER,70D,11GA,1-1/4X1-7/8X2-1/2,WP	2
7	141-1098	VALVE,BALL,DRAIN,1/4 TURN,1/4"M	1
8	104-1072	GRIP,HANDLE,RUBBER,YELLOW,7/8",STERILE	2
9	121-1143	BARB,HOSE,ELBOW,MALE,BRASS,3/8HSX1/2NPTM	1
10	121-1145	BARB,HOSE,ELBOW,MALE,BRASS,3/8HSX3/8NPTM	1
11	120-1173	CLAMP,HOSE,GEAR,WORM,SS,5/16" TO 7/8"	2
12	104-1075	CAP,COVER,PLASTIC,RED,0.40 X 1/4"X 3/8"	2
13	104-1022	HOSE,AIR,200 PSI,3/8"IDX30"LONG	1
14	160-1001	REGULATOR,PRESSURE,AIR,3/8"NPT	1
14A	360-1109	REGULATOR,PRESSURE,AIR,W/PG14,3/8"N,R38 INCLUDES 5,14,1/4"PLUG	1
15	120-1243	SCREW,FLANGE,HEX,SERR,ST,PL,1/4-20X 1/2	4
16	150-1083	BRACKET,REGULATOR,STEEL,PLATED,3/8",BR	1
16A	320-1029	BRACKET,REGULATOR,W/HARDWARE,ASSY,BR INCLUDES 15,16,17	1
17	120-1116	NUT,LOCK,FLANGE,HEX,SERR,ST,PLTD,1/4-20	4
18	109-1153	BRACKET,REGULATOR,17P	1
19	120-1116	NUT,LOCK,FLANGE,HEX,SERR,ST,PLTD,1/4-20	4
20	120-1009	SCREW,CAP,HEXHD,GR5,ST,PLTD,1/4-20X1-1/4	4

## Parts List for Model W5B-30P

NOTE: The quantity number indicates the total number of pieces required for a complete unit repair.  
When ordering parts give compressor model, serial number and part number. Order assemblies when possible.

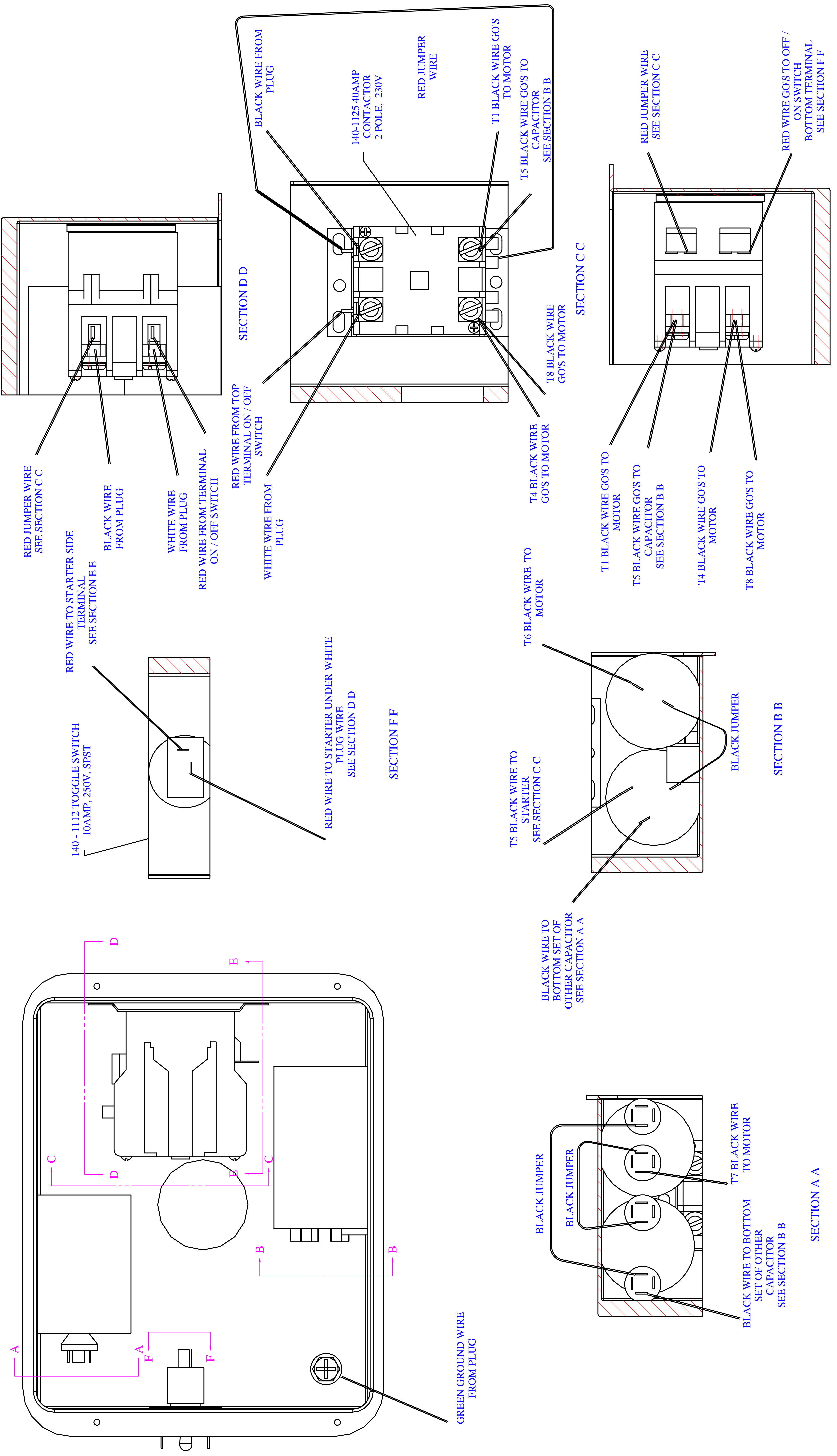
<u>REF. NO.</u>	<u>PART NO.</u>	<u>DESCRIPTION</u>	<u>QTY.</u>
21	120-1071	WASHER,FLAT,STEEL,PLATED,USS,1/4"	4
22	122-1037	NIPPLE,STEEL,SCH 40,3/8" X 2" L	1
23	122-1084	CAP,FEMALE,MI,3/8"NP	1
24	421-1501	PUMP,CMPSR,PISTON,REPLCMT,BLUE,W	1
25	320-1121	FILTER,AIR,2PC,W/SILENCER&FILTER,G154	2
26	121-1039	TEE,BRANCH,BRASS,1/4"TBX1/4"TBX1/8"NPTM	1
27	610-1088	TUBE,CONTROL,NYLON,W/SLEEVE,1/4"X18"LG	1
28	121-1109	ELBOW,BRASS,MALE,45DEG,3/4-45SAEX1/2"NPT	1
29	360-1404	AFTERCOOLER,HOSE,SS,TEFLON,3/4"ODX14"L	1
30	141-1037	VALVE,CHECK,INSERT,1"M X 3/4", 134	1
31	121-1032	ELBOW,MALE,COMPRESSION,BR,1/4TBX1/8"NPTM	1
32	141-1048	VALVE,PILOT,W/HAND UNLOADER,175PSI,1/4"M	1
33	JD7988	ELBOW,STREET,BRASS,3/4"NPT	1
34	121-1189	TEE,STREET,BRASS,1/4"NPT	1
35	141-1000	VALVE,SAFETY,NON-CODE,1/4",SS,200 PSI	1
36	120-1119	NUT,LOCK,FLANGE,HEX,SERR,ST,PLTD,5/16-18	4
37	120-1018	SCREW,FLANGE,HEX,SERR,ST,PLD,5/16-18X3/4	4
38	130-1089	MOTOR,5HP,230/60/1,1735RPM,ODP,TOP BOX	1
39	154-1055	PULLEY,CI,DG,6.0PDA,1-1/8ID,2AK64X1-1/8	1
40	120-1109	KEY,STEEL,BLACK,5/16X5/16X 1-1/2" LENGTH	1
41	154-4L730	BELT,VEE,A52,4L-730	2
42	120-1075	WASHER,FLAT,STEEL,PLATED,5/16"	4
43	120-1072	WASHER,FENDER,ST,PLATED,1/4"X1-1/2"OD	1

## Parts List for Model W5B-30P

NOTE: The quantity number indicates the total number of pieces required for a complete unit repair.  
When ordering parts give compressor model, serial number and part number. Order assemblies when possible.

<u>REF. NO.</u>	<u>PART NO.</u>	<u>DESCRIPTION</u>	<u>QTY.</u>
44	120-1267	SCREW,PAN HD,PHIL,STEEL,PLTD,1/4-20 X 1"	3
45	120-1177	SCREW,SELF DRILL,HEX,ST,PL,12 X 3/4	9
46	320-1181	BELTGUARD,J&W,W/PAN,4.13WX18.0HX32.25LG	1
47	120-1119	NUT,LOCK,FLANGE,HEX,SERR,ST,PLTD,5/16-18	2
48	140-1117	GUARD,SWITCH,TOGGLE,STEEL,PLATED,15/32"	1
49	120-1174	RIVET,POP,BLIND,CLSD END,1/8",.063-.125	2
50	140-1112	SWITCH,TOGGLE,SP,ST,10A,250V,HBL11SP	1
51	123-1128	CORD,DROP,SOWA,6-30PLUG,30A,10/3,7 FT	1
52	123-1030	CONNECTOR,ROMEX,CLAMP,STRAIGHT,3/4"	3
NOT SHOWN	610-1225	KIT,ELEMENT,FILTER,G54E,PKG OF 4,G54EP	1
NOT SHOWN	105-1209	OIL,PUMP,SYNTHETIC,BLUE,1 QUART,ESQ	1
NOT SHOWN	140-1125	CONTACTOR,DP,OP,2P,40A,230VAC	1

# WIRING DIAGRAM 5HP MOTOR BOX



RED JUMPER WIRE  
SEE SECTION C C

RED WIRE TO STARTER SIDE  
TERMINAL  
SEE SECTION E E

BLACK WIRE  
FROM PLUG

WHITE WIRE  
FROM PLUG

RED WIRE FROM TERMINAL  
ON / OFF SWITCH

RED WIRE FROM TOP  
TERMINAL ON / OFF  
SWITCH

WHITE WIRE FROM  
PLUG

RED WIRE TO STARTER UNDER WHITE  
PLUG WIRE  
SEE SECTION D D

SECTION F F

T5 BLACK WIRE TO  
STARTER  
SEE SECTION C C

BLACK WIRE TO  
BOTTOM SET OF  
OTHER CAPACITOR  
SEE SECTION A A

T6 BLACK WIRE TO  
MOTOR

T4 BLACK WIRE  
GO'S TO MOTOR

T8 BLACK WIRE  
GO'S TO MOTOR

SECTION C C

T1 BLACK WIRE GO'S TO  
MOTOR

T5 BLACK WIRE GO'S TO  
CAPACITOR  
SEE SECTION B B

T4 BLACK WIRE GO'S TO  
MOTOR

T8 BLACK WIRE GO'S TO  
MOTOR

RED JUMPER WIRE  
SEE SECTION C C

SECTION B B

BLACK JUMPER

T7 BLACK WIRE  
TO MOTOR

BLACK WIRE TO BOTTOM  
SET OF OTHER  
CAPACITOR  
SEE SECTION B B

SECTION A A

RED WIRE GO'S TO OFF /  
ON SWITCH  
BOTTOM TERMINAL  
SEE SECTION F F

140-1125 40AMP  
CONTACTOR  
2 POLE, 230V

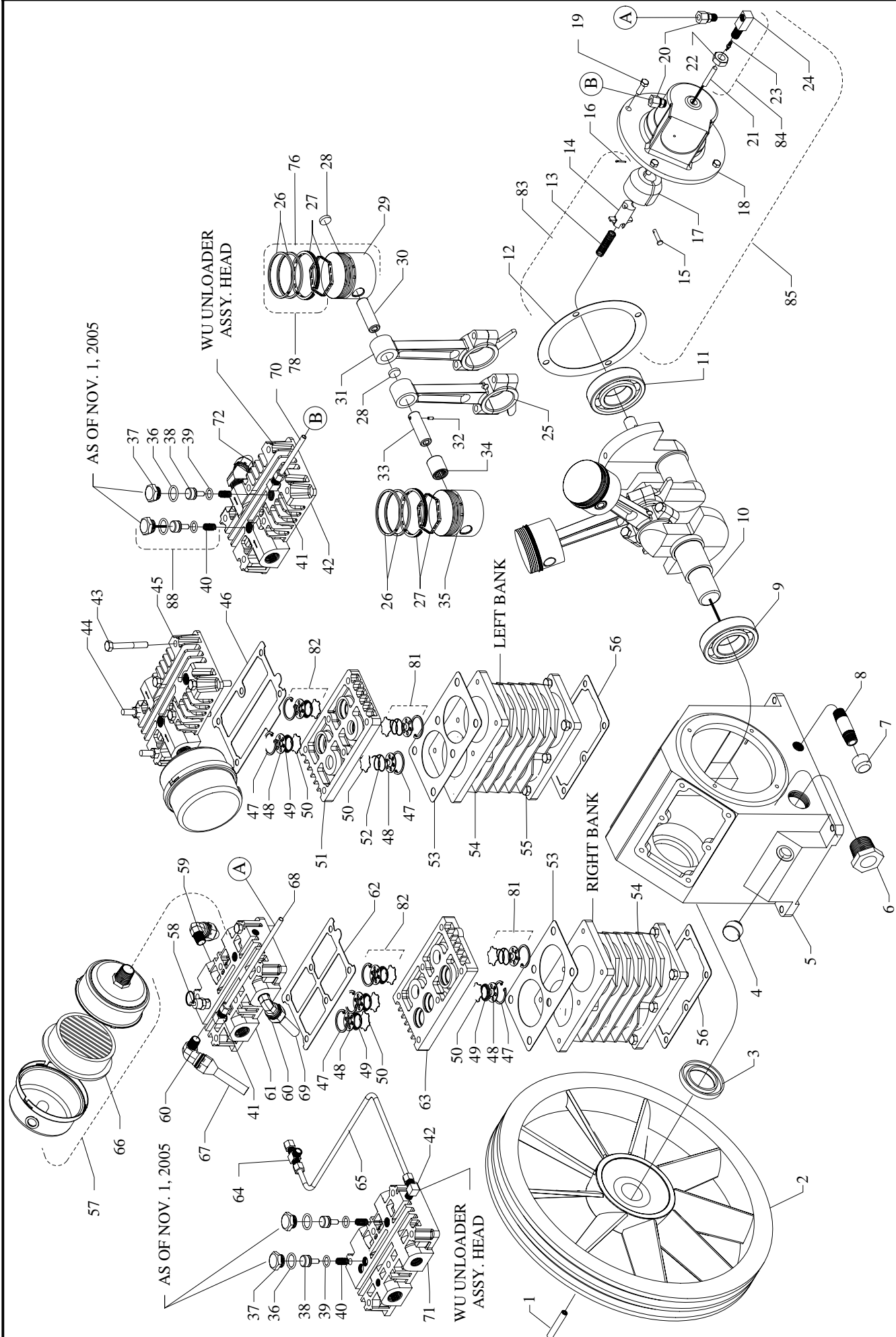
RED JUMPER  
WIRE

T1 BLACK WIRE GO'S  
TO MOTOR

T5 BLACK WIRE GO'S TO  
CAPACITOR  
SEE SECTION B B

ALL INTERNAL PARTS MUST BE SUPPLIED BY MOTOR MANUFACTURER

SECTION E E



AS OF NOV. 1, 2005

AS OF NOV. 1, 2005

WU UNLOADER  
ASSY. HEAD

WU UNLOADER  
ASSY. HEAD

LEFT BANK

RIGHT BANK

JENNY PRODUCTS, INC.  
850 N. Pleasant Ave.  
Somerset, Pennsylvania 15501

MODEL W & WU  
Four Cylinder Two Stage  
2-1/2 (3) -2-1/2 Bore X 3-1/4 Stroke

Copyright 2006

## Parts List for Model W & WU

NOTE: The quantity number indicates the total number of pieces required for a complete pump repair.  
When ordering parts give compressor model, serial number and part number. Order assemblies when possible.

<u>REF. NO.</u>	<u>PART NO.</u>	<u>DESCRIPTION</u>	<u>QTY.</u>
1	120-1166	PIN,FLYWHEEL, STL, 5/16 ODX 1-1/4 L, W25	1 EA
2	220-1094	FLYWHEEL,W PUMP,CI,16"DIA,2 GROOVE,W23A	1 EA
3	150-1038	SEAL,OIL,LIP,SINGLE,1.575 DIA,W11	1 EA
4	610-1051	PLUG,FILL,OIL,W/O-RING&DIPSTICK,ASSY,W14	2 EA
5	220-1036	CRANKCASE,W PUMP,CI,MACHINED,W1	1 EA
6	360-1114	SIGHT GLASS 1" INSTALLED LOW	1 EA
7	122-1084	CAP,FEMALE,MI,3/8"NPT	1 EA
8	122-1037	NIPPLE,STEEL,SCH 40,3/8" X 2" L	1 EA
9	150-1031	BEARING,BALL,W9	1 EA
10	220-1038	CRANKSHAFT,W PUMP,CI,MACHINED,W20	1 EA
11	150-1032	BEARING,BALL,W10	1 EA
12	104-1014	GASKET,CAP,BEARING,W PUMP,1/32THK,W3	1 EA
13	150-1081	COIL SPRING C/U UNLOADER ZN	1 EA
14	220-1049	TUBE,OPERATING,CENTRIFICAL UNLOADER,EQ71	1 EA
15	120-1169	PIN,COTTER,ST,BLACK,1\16DIA X 1\2LG,EQ73B	1 EA
16	610-1066	PIN,PIVOT,UNLDR,CNTRFCL,W/CTTR PIN,EQ73	1 EA
17	610-1167	UNLOADER,CENTRIFUGAL,WEIGHT,SET,EQ70	1 EA
18	220-1037	CAP,BEARING,W PUMP,CI,MACHINED,W2	1 EA
19	120-1002	SCREW,CAP,HEXHD,GR5,ST,BLK,1/4-20X5/8 ( 15 FT - LB.	4 EA
20	121-1025	CONNECTOR,MALE,COMPRESSION,BR,1/4TBX1/8"	2 EA
21	220-1050	PIN,UNLOADER,CENTRIFICAL,EQ74D	1 EA
22	120-1171	NUT,HEX,JAM,STEEL,PLATED,7/16-20,EQ74C	1 EA
23	120-1170	VALVE,CORE,EQ74A	1 EA

## Parts List for Model W & WU

NOTE: The quantity number indicates the total number of pieces required for a complete pump repair.  
When ordering parts give compressor model, serial number and part number. Order assemblies when possible.

<u>REF. NO.</u>	<u>PART NO.</u>	<u>DESCRIPTION</u>	<u>QTY.</u>
24	150-1035	BODY,UNLOADER,EQ74B	1 EA
25	310-1012	ROD,CONNECTING,AL,HIGH PRESSURE,W21W	1 EA
26	150-1003	RING,COMPRESSION,PISTON,STEEL,EBA 22,K33	8 EA
27	610-1065	KIT,RING,OIL,W/EXPANDER,ASSY,K34	4 EA
28	104-1103	BUMPER,WRIST PIN,PLASTIC,K36A	6 EA
29	220-1005	PISTON,PUMP,ALUMINUM,MACHINED,K32	3 EA
30	150-1005	PIN,PISTON,STEEL,HARDENED,K35	3 EA
31	310-1007	ROD,CONNECTING,PUMP,ALUM,MACHINED,W21	3 EA
32	120-1165	PIN,ROLLED,STEEL,BLACK,1/8ODX5/16L,EQ37	1 EA
33	150-1039	PIN,PISTON,STEEL,EQ35	1 EA
34	150-1034	BEARING,NEEDLE,EQ38	1 EA
35	220-1042	PISTON,MACHINED,2 STAGE,K32W	1 EA
36	104-1015	RING,O,BUNA-N,1/2"IDX11/16"ODX3/32"THK	4 EA
37	122-1051	PLUG,HEX ,BRASS,11/16-16 UN-2B X .550	4 EA
38	150-1028	PISTON,UNLOADER,VALVE,CHECK,BRASS,KU81	4 EA
39	104-1020	RING,O,SILICON,7/16"IDX5/8"ODX3/32"THK	4 EA
40	150-1020	SPRING,VALVE,UNLOADER,INTAKE, KU83	4 EA
41	121-1032	ELBOW,MALE,COMPRESSION,BR,1/4TBX1/8"NPTM	3 EA
42	220-1016	HEAD,UNLOADING,G PUMP,CI,6HOLES,LU80	1 EA
43	120-1028	SCREW,CAP,HEXHD,GR5,ST,BLK,5/16-18X2-1/4(22FT-LB)	10 EA
44	120-1252	BOLT,STUD,HEX,ST,5/16-18X2-1/4X5/8,K52-1(22FT-LB)	2 EA
45	310-1004	HEAD,START/STOP,G PUMP,REPLACEMNT,L50 ( LEFT HEAD )	1 EA
46	104-1008	GASKET,HEAD,K&G&W PUMP,1/32THK,L51	1 EA



## Parts List for Model W & WU

NOTE: The quantity number indicates the total number of pieces required for a complete pump repair.  
When ordering parts give compressor model, serial number and part number. Order assemblies when possible.

<u>REF. NO.</u>	<u>PART NO.</u>	<u>DESCRIPTION</u>	<u>QTY.</u>
47	150-1041	RETAINER, VALVE, STEEL, PAS, 0.062" THK, K43	9 EA
48	109-1010	VALVE, CHECK, BUMPER, STEEL, K44	9 EA
49	150-1018	SPRING, CONE, SS, VALVE, DISCHARGE, K46	6 EA
50	109-1011	VALVE, DISC, STEEL, K47	9 EA
51	220-1013	PLATE, VALVE, L PUMP, CI, MACHINED, L40	1 EA
52	150-1017	SPRING, CONE, SS, VALVE, INTAKE, K45	3 EA
53	104-1007	GASKET, PLATE, VALVE, K&G&W PUMP, 1/32TK, L41	2 EA
54	360-1152	CYLINDER W30 REPLACEMENT BLUE W30	2 EA
55	120-1017	SCREW, CAP, HEXHD, GR5, ST, BLK, 5/16-18X3/4 ( 15 FT - LB. )	12 EA
56	104-1006	GASKET, CYLINDER, K&G&W PUMP, 1/32THK, K31	2 EA
57	320-1121	FILTER, W/DECALS, ASSY, G154S	2 EA
58	141-1006	VALVE, SAFETY, NON-CODE, 1/4", 65 PSI, SV65	1 EA
59	121-1013	ELBOW, MALE, BRASS, 1/2-45SAEX1/2"NPTM	2 EA
60	121-1015	ELBOW, MALE, BRASS, 5/8-45SAEX1/2"NPTM	1 EA
61	310-1022	HEAD, START/STOP, EQ PUMP ( RIGHT HEAD )	1 EA
62	104-1013	GASKET, HEAD, K&G&W PUMP, 1/32THK, EQ51	1 EA
63	220-1041	PLATE, VALVE, W PUMP, CI, MACHINED, W40	1 EA
64	121-1039	TEE, BRANCH, BRASS, 1/4"TBX1/4"TBX1/8"NPTM	1 EA
65	610-1136	TUBING, UNLOADER, HEAD-HEAD, W PUMP, WU88	1 EA
66	150-1104	ELEMENT, FILTER, AIR, (92 EMGLO), G54E	2 EA
67	610-1057	INTERCOOLER, FINNED, W/FLARE NUTS, ASY, EQ65	1 EA
68	610-1135	TUBE, UNLOADER, CENTRIFUGAL, W PUMP, CU, W78	1 EA

## Parts List for Model W & WU

NOTE: The quantity number indicates the total number of pieces required for a complete pump repair.  
 When ordering parts give compressor model, serial number and part number. Order assemblies when possible.

<u>REF. NO.</u>	<u>PART NO.</u>	<u>DESCRIPTION</u>	<u>QTY.</u>
69	610-1059	INTERCOOLER,FINNED,W/FLARE NUTS,ASSY,W65	1 EA
70	610-1134	TUBE,BREATHER,COPPER,BENT,J&W PUMP,W18	1 EA
71	220-1043	HEAD,UNLOADING,EQ PUMP,CI,6HOLES,EQ80	1 EA
72	121-1015	ELBOW,MALE,BRASS,5/8-45SAEX1/2"NPTM	1 EA
73	610-1050	KIT,GASKET,W PUMP,ASSY,W100 SET INCLUDES 12, 2 OF 56, 2 OF 53, 46, 62	1 EA
74	610-1132	KIT,BASIC,REPAIR,W PUMP,W101 KIT INCLUDES (2) 78, 73, 79, 80, 81(3) 82(6)	1 EA
75	610-1133	KIT,BASIC,REPAIR,WU PUMP,WU101 SAME AS 73, W / (4) 88	1 EA
76	610-1028	PISTON,W/RINGS&PIN,ASSY,K132	3 EA
77	610-1013	PISTON,HIGH PSI,W/RINGS&PIN,ASSY,EQ132	1 EA
78	610-1020	KIT,PUMP,RING,PISTON,F&K&G&W PUMP,K133	2 EA
79	610-1045	PLATE,VALVE,W/VALVES,ASSY,L140 INSTALLED W / 53, 46 GASKET	1 EA
80	610-1052	PLATE,VALVE,RIGHT,W/VALVES,ASSY,W140 INSTALLED W / 53, 62 GASKETS	1 EA
81	610-1031	VALVE,CHECK,SUCTION,ASSY,K145	3 EA
82	610-1032	VALVE,CHECK,DISCHARGE,ASSY,K146	6 EA
83	610-1053	WEIGHT,UNLOADER,CENTRIFICAL,W/GSKT,W170 ASSY, W / GASKET,INCLUDES 12, 13, 14, 16, 17	1 EA
84	310-1016	VALVE,UNLOADER,CENTRIFICAL,ASSY,EQ174 ASSY. INCLUDES 20, 21, 22, 23, 24	1 EA
85	610-1054	UNLOADER,CENTRIFICAL,W/B CAP,ASSY,W175 ASSY. W / BEARING CAP, TUBING AND GASKET	1 EA
86*	310-1008	HEAD,UNLOADING,K&G,W/1/2"PRT 6 HLE,LU180 COMPLETE W / UNLOADERS ( RIGHT HEAD )	1 EA
86**	310-1013	HEAD UNLOADING,SVC REPLACEMENT,EQ180	1 EA

## Parts List for Model W & WU

NOTE: The quantity number indicates the total number of pieces required for a complete pump repair.  
When ordering parts give compressor model, serial number and part number. Order assemblies when possible.

<u>REF. NO.</u>	<u>PART NO.</u>	<u>DESCRIPTION</u>	<u>QTY.</u>
		( LEFT HEAD ) NEW AS OF 12/1/05	
87	610-1042	VALVE,UNLOADER,HEAD,PUMP,ASSY,KU181 INCLUDES 36,37, 38, 39, 40	1 EA

86\* for units built after serial #D110105001

86\*\* for units built before serial #D103105001