



Air Tank

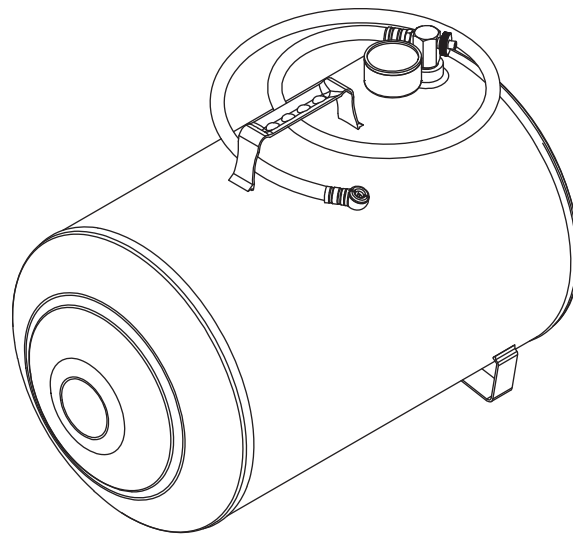
Operating Instructions & Parts Manual

Model Number

W-1005
W-1010A

Capacity per Pair

5 gallon
10 gallon



This is the safety alert symbol. It is used to alert you to potential personal injury hazards. Obey all safety messages that follow this symbol to avoid possible injury or property damage.

SFA Companies, Inc.
10939 N. Pomona Ave.
Kansas City, MO 64153
Phone (816)891-6390, Fax (816)891-6599

Read this manual and follow all the Safety Rules and Operating Instructions before using this product.

Printed in China
W-1005-M0_072012

SAFETY AND GENERAL INFORMATION

Save these instructions. For your safety, read, understand, and follow the information provided with and on this air tank. The owner and operator of this equipment shall have an understanding of this air tank and safe operating procedures before attempting to use. The owner and operator shall be aware that use of this product may require special skills and knowledge. Instructions and safety information shall be conveyed in the operator's native language before use of this air tank is authorized. If any doubt exists as to the safe and proper use of this air tank, remove from service immediately.

Inspect before each use. Do not use if broken, bent, cracked, or damaged parts (including labels) are noted. Any air tank that appears damaged in any way, operates abnormally or is missing parts, shall be removed from service immediately. It is recommended that an annual inspection be done by qualified personnel. Labels and Owner's Manuals are available from manufacturer (see Replacement Parts section).

PRODUCT DESCRIPTION

Pro-Lift Products Air Tanks are designed to contain air pressures of up to 125 psi. Always reference the Product Label and Owner's Manual to establish rated capacity. **Intended use:** Your Pro-Lift Products Air Tank is intended only for use as a portable supply of compressed air for use in inflating tires, sport balls or other inflatables. Check with your inflatable product's owner's manual for proper inflation pressures.

BEFORE USE

1. Before using this product, read the owner's manual completely and familiarize yourself thoroughly with the product, its components and recognize the hazards associated with its use.
2. Verify that the product and the application are compatible, if in doubt call Customer Support @ (888) 332-6419.
3. Replace worn or damaged parts and assemblies with Authorized Replacement Parts only. (See **Replacement Parts** Section).

⚠ WARNING

- *Read, understand and follow all printed materials provided with and on this device. Failure to heed these markings may result in personal injury and/or property damage.*
- *All pipes, hoses, and fittings must have a rating of the maximum pressure of the compressor.*
- *Air hoses should be kept free of grease and oil to reduce the possibility of deterioration.*
- *Hose ends must be secured to prevent whipping if an accidental cut or break occurs.*
- *Never use compressed air to clean dirt and dust from clothing or from a person's skin.*
- *Goggles, face shields or other eye protection must be worn by personnel using compressed air for cleaning equipment.*

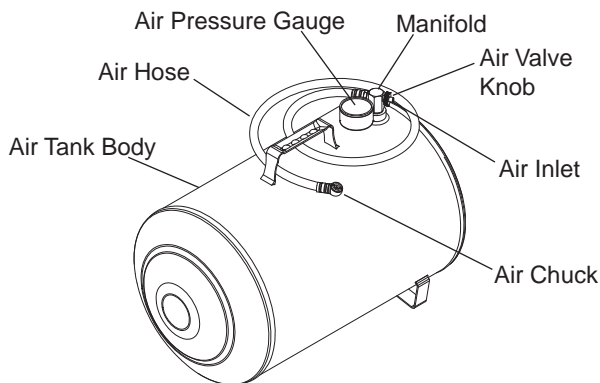


Figure 1 - Typical Air Tank Nomenclature

⚠ WARNING: RISK OF BURSTING - Do not exceed rated pressure of 125 psi. Fill only from low pressure compressor systems whose pressure is no greater than 150 psi. Do not adjust or tamper with factory preset pressure relief valve. Do not operate air tank with damaged or missing parts. Do not attempt to weld or repair a damaged tank. Replace tank if it is dented, cracked, rusted or otherwise damaged in any way. Never use past the discard date stamped in the bottom of the tank. Store indoors, do not expose to moisture and or direct sunlight.

⚠ WARNING: RISK OF FIRE OR EXPLOSION - Do not use to store or disperse combustible/flammable liquids, gasses or materials of any kind. Fill only with filtered, preferably dried air.

⚠ WARNING: No alterations shall be made to this device. Only attachments and/or adapters supplied by the manufacturer shall be used.

OPERATION

Filling Air Tank: (ref. Fig 1)

1. Fill the air tank by connecting an air source to the air tank manifold. Monitor air pressure gauge movement. Do not exceed rated air pressure of 125 psi.
2. Open the air valve by turning the red knob counter-clockwise pressurizing the air hose. Your air tank is now ready for use.

MAINTENANCE

Periodically inspect the air tank. Ensure that all parts move freely. Inspect the air hose for cracking and abrasions.

Cleaning

Inspect the air tank for signs of rust or corrosion. Clean as needed and wipe with a dry cloth.

Storage

When not in use, shut off the air valve by turning the red knob clockwise. Store indoors, do not expose to moisture or heat radiation.

REPLACEMENT PARTS

Not all components of the air tank are replacement items, but are illustrated as a convenient reference of location. When ordering parts, give model number, part number and description below. Call or write for current pricing: phone (816) 891-6390, fax (816) 891-6599 or contact Customer Support. 10939 N. Pomona Ave., Kansas City, MO 64153.

Part No.	Description	Qty
W-4526	Manifold	1
W-4527	Air Hose	1
W-4528	Pressure Gauge	1
-	Labels	1
-	Owner's Manual	1

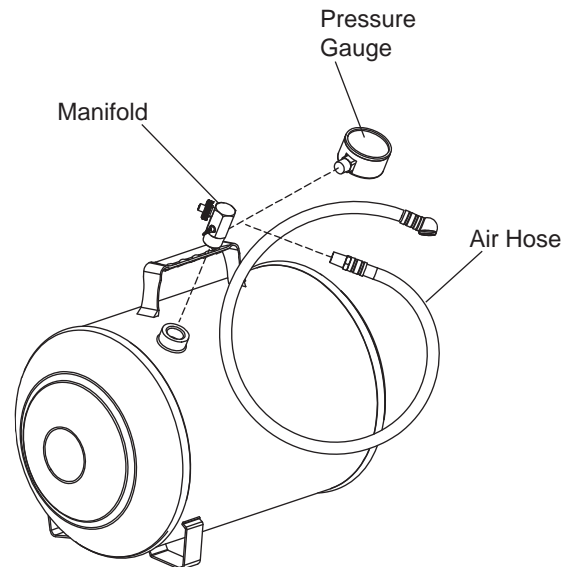


Figure 2 - Air Tank Replacement Parts

90 DAY LIMITED WARRANTY

For a period of ninety (90) days from date of purchase, **SFA COMPANIES, INC.** will repair or replace, at its option, without charge, any of its products which fails due to a defect in material or workmanship, or which fails to conform to any implied warranty not excluded hereby.

Performance of any obligation under this warranty may be obtained by returning the warranted product, freight prepaid, to **SFA COMPANIES, INC.** Warranty Service Department, 10939 N. Pomona Ave., Kansas City, MO 64153.

Except where such limitations and exclusions are specifically prohibited by applicable law, 1) THE CONSUMER'S SOLE AND EXCLUSIVE REMEDY SHALL BE THE REPAIR OR REPLACEMENT OF DEFECTIVE PRODUCTS AS DESCRIBED ABOVE, AND 2) **SFA COMPANIES, INC.** SHALL NOT BE LIABLE FOR ANY CONSEQUENTIAL OR INCIDENTAL DAMAGE OR LOSS WHATSOEVER, AND 3) THE DURATION OF ANY AND ALL EXPRESSED AND IMPLIED WARRANTIES, INCLUDING WITHOUT LIMITATION, ANY WARRANTIES OF MERCHANTABILITY AND FITNESS FOR A PARTICULAR PURPOSE, IS LIMITED TO A PERIOD OF NINETY (90) DAYS FROM DATE OF PURCHASE.

Some states do not allow limitations on how long an implied warranty lasts, so the above limitation may not apply to you. Some states do not allow the exclusion or limitation of incidental or consequential damages, so the above limitation or exclusion may not apply to you. This warranty gives you specific legal rights, and you may also have other rights which vary from state to state.

