

Please carefully read and save these instructions before attempting to assemble, maintain, install, or operate this product. Observe all safety information to protect yourself and others. Failure to observe the instructions may result in property damage and/or personal injury. Please keep instructions for future reference.

## Important Operating Instructions



# 1/2 INCH AIR IMPACT WRENCH

**Model: 7619**

### CALIFORNIA PROPOSITION 65

**WARNING:** You can create dust when you cut, sand, drill or grind materials such as wood, paint, metal, concrete, cement, or other masonry. This dust often contains chemicals known to cause cancer, birth defects, or other reproductive harm. Wear protective gear.

**WARNING:** This product or its power cord may contain chemicals, including lead, known to the State of California to cause cancer and birth defects or other reproductive harm. Wash hands after handling.

### Important!

When using equipment, a few safety precautions must be observed to avoid injuries and damage. Please read the complete operating manual with due care. Keep this manual in a safe place, so that the information is available at all times. If you give the equipment to any other person, give them these operating instructions as well. We accept no liability for damage or

accidents which arise due to non-observance of these instructions and the safety information herein.

### SPECIFICATIONS

**Free Speed:** 7,000 RPM

**Air Consumption:** 4 cubic feet

**Maximum Torque:** 230 ft/lb

**Air Inlet:** 1/4 inch

**Clutch Type:** Rocking dog

This air impact wrench is a pneumatic portable tool used to screw and unscrew nuts, bolts, and threaded screws by changing the high impact sockets.

### CAUTION: Read all safety regulations and instructions

**Any failures made in following the safety instructions may result in an electric shock, fire, and/or serious injury.**

**Keep all safety instructions and guidelines in a safe place for future use.**

### SAFETY INSTRUCTIONS

- 1) Keep the work area clean and well lit.
- 2) Use caution while operating this tool.
- 3) Stay alert while operating the tool. Do not use it while under the influence of drugs or alcohol.
- 4) Do not use the tool in wet or explosive environments, especially near flame, flammable materials, or surfaces.
- 5) Only use compressed air to run this tool. Do not use any other air sources.
- 6) Check the tool carefully before each use. Do not use if problems are found.
- 7) Dress properly. Do not wear loose clothing or jewelry. Keep long hair pulled back.
- 8) Do not overreach when

For warranty purchases, please keep your dated proof of purchase. File or attach to the manual for safekeeping.

using this tool. Keep proper footing and balance at all times.

9) Use safety equipment. Always wear eye protection, dust mask, safety shoes, hardhat, and/or hearing protection in appropriate situations.

10) Use clamps or other practical ways to secure and support the piece to a stable platform. Holding the work piece against your body or by hand is unstable and may cause loss of control.

11) Do not force the tool. Use the correct tool for the application. The correct tool will allow the job to be completed in a better and safer way.

12) Disconnect the tool from the air compressor before making any adjustments, changing the accessories, or storing the tool.

13) Do not change sockets with the air line connected or with the trigger depressed.

14) Carry the tool by the handle. Do not carry by the air hose or with the trigger depressed because it could cause the tool to start.

15) Maintain tools with care. Check for misalignment or binding of moving parts and for any other condition that may affect the tool's operation.

16) Do not attempt to use the tool when unplugged from the air source.

17) Do not attempt to modify or tamper with the tool.

## SET UP

1) Remove the cap from the air intake valve and screw in the 1/4 inch nozzle.

2) Place a few drops of lubricant oil inside the air intake valve.

3) Check for damages to the air hose. If it is damaged or worn, do not use it.

## USE

**Caution: Do not exceed 90 PSI. Exceeding this amount can cause damage and excessive wear of the tool.**

**Disconnect the air hose before connecting or disconnecting the high impact socket.**

**DO NOT use sockets other than high impact sockets.**

1) Choose the appropriate size and socket.

2) Push the socket hole onto the square driver. If an extension is needed, insert it between the square driver and the socket.

3) Connect the air supply line to the impact wrench.

4) To change the direction of the rotation, push the pin towards the F to screw clockwise (in) and R to screw counter-clockwise (unscrew).

5) To change the rotation speed, turn the knob at the base of the tool handle. 1 is the minimum speed and 4 is the maximum.

6) Press the trigger to start the impact wrench. It will turn off when the trigger is released.

7) Unplug the air supply line when finished with the impact wrench.

## MAINTENANCE

Make sure to disconnect the tool from the air supply line before any cleaning or maintenance is performed.

Place a few drops of lubricating oil into the air supply area at the base of the handle before operation. Also be sure to clean the wrench after operation.

A general cleaning is necessary to remove dregs, dust, or dirt accumulation on the tool.

Do not use solvents because they may cause corrosion and fading. Never use paint thinner, gasoline or a similar substance to clean the nozzle.

Lubricate all rotating parts of the tool by daily inserting a few drops of lubricating oil through the air hose fitting. Make sure the air hose is disconnected, put the tool in a vertical position with the fitting facing upwards and then place a few drops inside fitting.

---

## **STORAGE**

Disconnect the wrench from the air source before storing.

Avoid storing the tool in locations with high humidity because it may cause the tool to rust on the inside. Before storing for long periods of time, oil the tool at the air inlet and allow it to run for a few seconds.

## **DISPOSAL**

When the tool is seriously damaged or no longer functioning, recycle it according to local laws and regulations.

## **REPLACEMENT PARTS**

Contact North American Tool Industries (NATI) directly for all replacement parts and service needs. When ordering, be sure to have the spare part number and tool model number.

---

## **Limited Manufacturer Warranty**

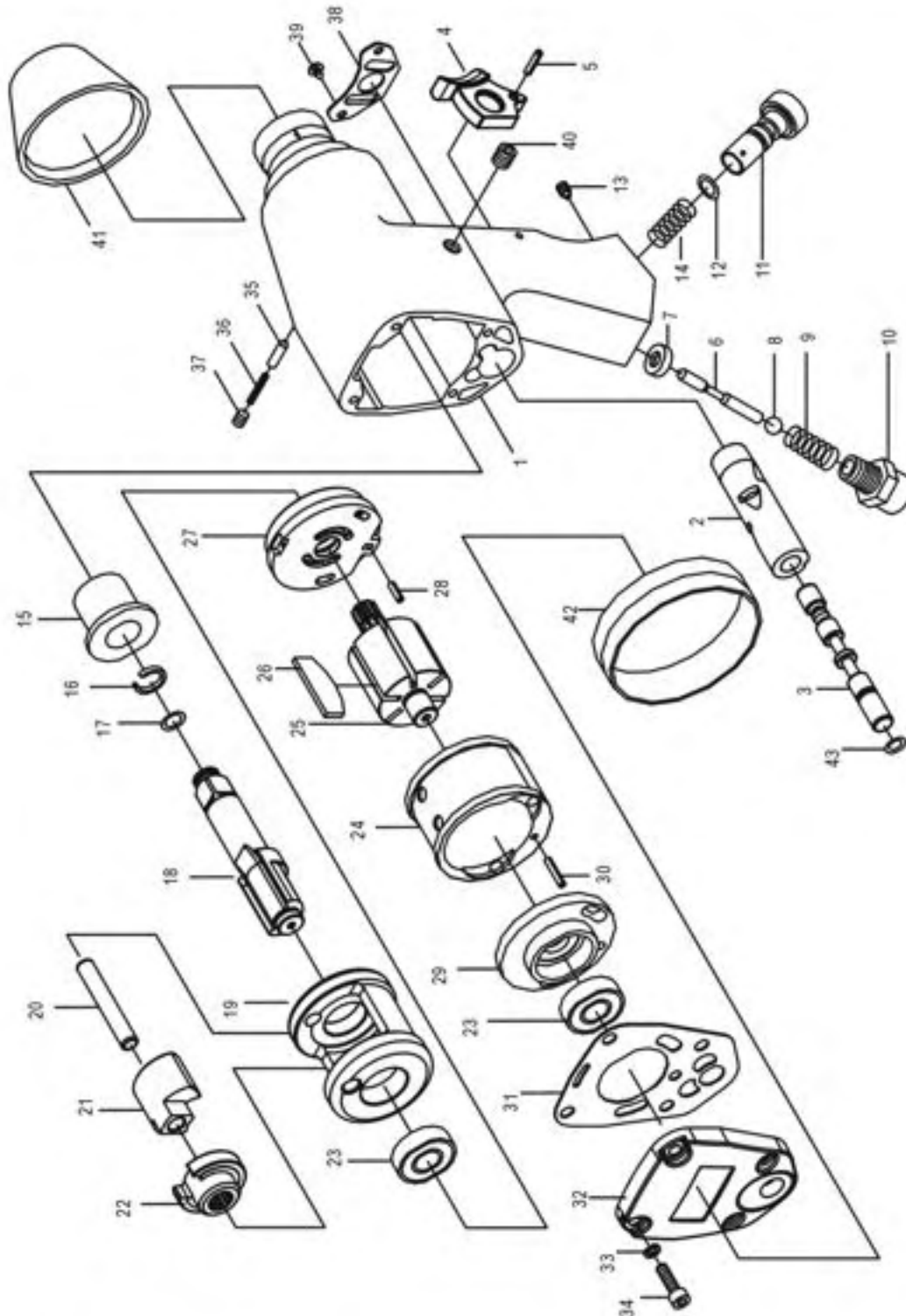
*North American Tool (NAT) Industries makes every effort to ensure that this product meets high quality and durability standards. NAT warrants to the original retail consumer a 1-year limited warranty from the date the product was purchased at retail and each product is free from defects in materials. Warranty does not apply to defects due directly or indirectly to misuse, abuse, negligence or accidents, repairs or alterations, or a lack of maintenance. NAT shall in no event be liable for death, injuries to persons or property, or for incidental, special or consequential damages arising from the use of our products. To receive service under warranty, the original manufacturer part must be returned for examination by an authorized service center. Shipping and handling charges may apply. If a defect is found, NAT will either repair or replace the product at its discretion.*

## **DO NOT RETURN TO STORE**

For Customer Service:

Email: [feedback@natitools.com](mailto:feedback@natitools.com) or Call 1-800-348-5004

### Parts List



## Call 1-800-348-5004 for assistance or replacement parts

Please provide the following information:

- Model number
- Part description and number as shown in parts list
- Serial number (if any)

Address any correspondence to:

North American Tool Industries  
84 Commercial Rd  
Huntington, IN 46750

No.	Description	Quantity
1	Cap Screw	4
2	Spring Washer	4
3	Protecting Rubber	1
4	Anvil Collar	1
5	Anvil	1
6	Hammer Cage	1
7	Drive Cam	1
8	Hammer Dog	1
9	Hammer Pin	1
10	Trigger	1
11	Oiling Screw	1
12	Spring	2
13	Pin	1
14	Cap Screw	1
15	Motor Housing	1
16	Valve Sleeve	1
17	Reverse Valve	1
18	Ball Bearing	1
19	Front End Plate	1
20	Cylinder	1

No.	Description	Quantity
21	Spring Pin	1
22	Rotor Blade	1
23	Rotor	1
24	Rear End Plate	1
25	Ball Bearing	1
26	Rear Gasket	1
27	Rear Cover	1
28	Cap Screw	4
29	Spring Washer	4
30	Air Inlet Bushing	1
31	Pin	1
32	Spring	1
33	Steel Ball	1
34	Throttle Bushing	1
35	Valve Stem	1
36	Spring	1
37	Air Regulator	1
38	Oiling Screw	1
39	Exhaust Collector	1