

Please carefully read and save these instructions before attempting to assemble, maintain, install, or operate this product. Observe all safety information to protect yourself and others. Failure to observe the instructions may result in property damage and/or personal injury. Please keep instructions for future reference.

Important Operating Instructions



3 INCH AIR CUT-OFF TOOL

Model: 7625

CALIFORNIA PROPOSITION 65

WARNING: You can create dust when you cut, sand, drill or grind materials such as wood, paint, metal, concrete, cement, or other masonry. This dust often contains chemicals known to cause cancer, birth defects, or other reproductive harm. Wear protective gear.

WARNING: This product or its power cord may contain chemicals, including lead, known to the State of California to cause cancer and birth defects or other reproductive harm. Wash hands after handling.

Important!

When using equipment, a few safety precautions must be observed to avoid injuries and damage. Please read the complete operating manual with due care. Keep this manual in a safe place, so that the information is available at all times. If you give the equipment to any other person, give them these operating instructions as well. We accept no liability for damage or

accidents which arise due to non-observance of these instructions and the safety information herein.

SPECIFICATIONS

Size: 7-3/8 inch
Weight: 1.58 lbs
Free Speed: 20,000 RPM
Working Pressure: 90 PSI
Air Consumption: 4 CFM
Air Inlet: 1/4 inch

The cut-off tool is a pneumatic portable tool. It can be used to cut through sheet metal, fiberglass, and various other cutting jobs.

CAUTION: Read all safety instructions

Any failures made in following the safety regulations and instructions may result in an electric shock, fire and/or serious injury.

Keep all safety regulations and instructions in a safe place for future use.

SAFETY INSTRUCTIONS

- 1) Keep work area clean and well lit.
- 2) Use caution when operating this tool.
- 3) Stay alert while operating the tool. Do not use while under the influence of drugs or alcohol.
- 4) Do not use the tool in wet or explosive environments, especially near flame, flammable materials or surfaces.
- 5) Check the tool carefully before each use. Do not use if problems are found.
- 6) Dress properly. Do not wear loose clothing or jewelry. Keep long hair pulled back.
- 7) Do not overreach when using this tool. Keep proper footing and balance at all times.

For warranty purchases, please keep your dated proof of purchase. File or attach to the manual for safekeeping.

8) Use safety equipment; always wear eye protection. Dust mask, safety shoes, hardhat or hearing protection should be used in appropriate situations.

9) Use clamps or other practical ways to secure and support the piece on a stable platform. Holding the work piece against your body or by hand is unstable and may lead to a loss of control.

10) Do not force the tool. Use the correct tool for the application to allow the job to be completed in a better and safer way.

11) Disconnect the tool from the air compressor before making any adjustments, changing the accessories or storing the tool.

12) Maintain tools with care. Check for misalignment, binding of moving parts and for any other condition that may affect the tool's operation.

13) Some accessories suitable for one tool may not be suitable for use on another. Check to make sure that all accessories to be used are suitable.

14) Tool service may only be performed by qualified repair personnel.

15) Never touch the moving parts of the air tool.

16) Do not attempt to use the tool when unplugged from the air source Do not attempt to modify or tamper with the tool.

17) Do not touch electrically live parts with the tool.

SET UP

1) Remove the top from the air intake valve and screw in the ¼ inch nozzle.

2) Place a few drops of lubricant oil inside the air intake valve.

3) Check for damages to the air supply tube. If it is damaged or worn, do not use it.

▪ **Caution: Do not exceed 90 PSI. Exceeding this amount can cause damage and excessive wear of the tool.**

USE

1) Always check the cutting wheel for wear; replace if necessary.

2) Set the compressor to 90 PSI.

3) Attach the air supply to the cut-off tool.

4) Using both hands to grip the tool, gently squeeze the trigger lever allowing the cut-off tool to run a few seconds before approaching the work piece.

5) Do not apply force on the work piece. Let the cut-off tool do the work.

6) Release the trigger lever when finished cutting.

7) Disconnect the air hose.

8) In order to release any excess air that might remain in the cut-off tool, gently squeeze down on the trigger lever.

INSPECTION, MAINTENANCE, & CLEANING

WARNING: Always release excess air, make sure the trigger lever is in the OFF position, and disconnect the tool from its compressed air supply before performing any inspection, adjustments, maintenance, or cleaning.

BEFORE EACH USE

Inspect the general condition of the tool before each use. If you see loose screws, misalignment or binding of moving parts, cracked or broken parts, damaged air hose, or anything else that might affect the safety of the tool, contact a qualified repair service before attempting to use the tool. **Never use damaged equipment.**

AFTER EACH USE

Cleaning the tool is necessary to remove dregs, dust or dirt accumulation on the tool.

Do not use solvents to clean the tool because they may cause corrosion and fading. Never use paint thinner, gasoline or a

similar substance to clean the nozzle.

Do not immerse the tool in any liquids.

Lubricate all rotating parts of the tool by inserting oil through the nozzle. Make sure the tool is disconnected from the air tube, put the tool in a vertical position with the nozzle upwards and place a few drops of oil in the nozzle. Be sure to use suitable oil.

STORAGE

Disconnect the cut off tool from air source before storing.

Avoid storing the tool in locations with high humidity because it may cause the tool to rust on the inside. Before storing for long periods of time, oil the tool at the air inlet and allow it to run for a few seconds.

Limited Manufacturer Warranty

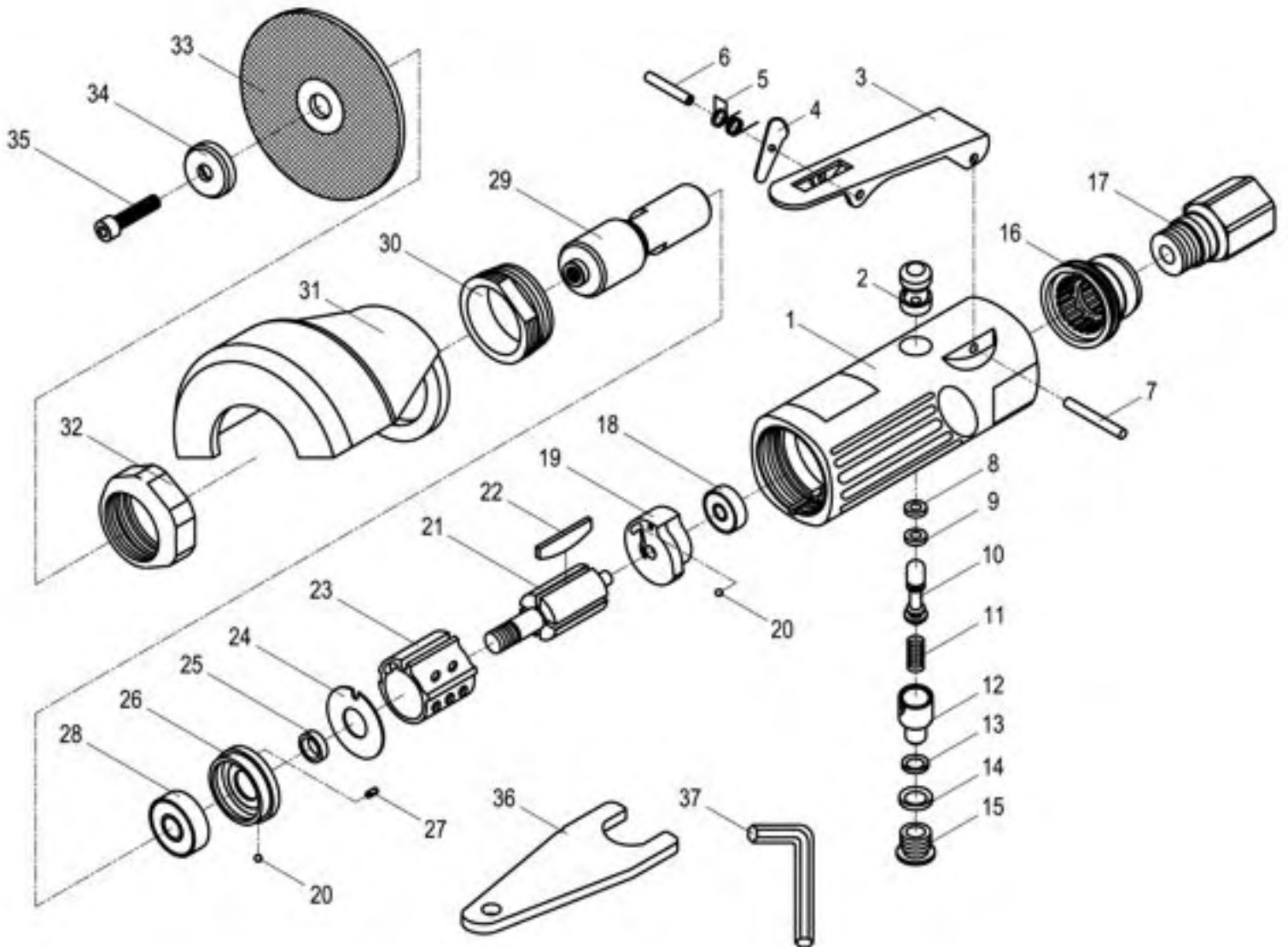
North American Tool (NAT) Industries makes every effort to ensure that this product meets high quality and durability standards. NAT warrants to the original retail consumer a 1-year limited warranty from the date the product was purchased at retail and each product is free from defects in materials. Warranty does not apply to defects due directly or indirectly to misuse, abuse, negligence or accidents, repairs or alterations, or a lack of maintenance. NAT shall in no event be liable for death, injuries to persons or property, or for incidental, special or consequential damages arising from the use of our products. To receive service under warranty, the original manufacturer part must be returned for examination by an authorized service center. Shipping and handling charges may apply. If a defect is found, NAT will either repair or replace the product at its discretion.

DO NOT RETURN TO STORE

For Customer Service:

Email: feedback@natitools.com or Call 1-800-348-5004

Parts List



Call 1-800-348-5004 for assistance or replacement parts

Please provide the following information:

- Model number
- Part description and number as shown in parts list
- Serial number (if any)

Address any correspondence to:

North American Tool Industries
84 Commercial Rd
Huntington, IN 46750

No.	Description	Quantity
1	Housing	1
2	Bushing	1
3	Trigger	1
4	Trigger Lever	1
5	Spring	1
6	Pin	1
7	Pin	1
8	O-Ring	1
9	O-Ring	1
10	Valve Stem	1
11	Spring	1
12	Air Regulator	1
13	O-Ring	1
14	O-Ring	1
15	Locking Plug	1
16	Muffle	1
17	Air Inlet	1
18	Bearing	1
19	End Plate	1

No.	Description	Quantity
20	Pin	2
21	Rotor	1
22	Rotor Blade	4
23	Cylinder	1
24	Washer	1
25	Rotor Bushing	1
26	Front Plate	1
27	Steel Ball	1
28	Bearing	1
29	Spindle	1
30	Clamp Nut	1
31	Shield	1
32	Clamp Plate	1
33	Cutting Wheel	1
34	Washer	1
35	Screw	1
36	Wrench	1
37	Key	1