

Please carefully read and save these instructions before attempting to assemble, maintain, install, or operate this product. Observe all safety information to protect yourself and others. Failure to observe the instructions may result in property damage and/or personal injury. Please keep instructions for future reference.

Important Operating Instructions



3/8 INCH AIR RATCHET WRENCH

Model: 7637

CALIFORNIA PROPOSITION 65

WARNING: You can create dust when you cut, sand, drill or grind materials such as wood, paint, metal, concrete, cement, or other masonry. This dust often contains chemicals known to cause cancer, birth defects, or other reproductive harm. Wear protective gear.

WARNING: This product or its power cord may contain chemicals, including lead, known to the State of California to cause cancer and birth defects or other reproductive harm. Wash hands after handling.

Important!

When using equipment, a few safety precautions must be observed to avoid injuries and damage. Please read the complete operating manual with due care. Keep this manual in a safe place, so that the information is available at all times. If you give the equipment to any other person, give them these operating instructions as well. We accept no liability for damage or

accidents which arise due to non-observance of these instructions and the safety information herein.

SPECIFICATIONS

Free Speed: 150 RPM

Size: 3/8 inch

Working Pressure: 90 PSI

Air Consumption: 4 CFM @ 90 PSI

Maximum Torque: 50 ft/lb

Air Inlet: 1/4 inch

Recommended Hose Size: 3/8"
Square Driver: 3/8"

The air ratchet is a pneumatic portable tool. The expected use is to screw and unscrew nuts, bolts and threaded screws.

CAUTION: Read all safety regulations and instructions

Any failures made in following the safety regulations and instructions may result in an electric shock, fire and/or serious injury.

Keep all safety regulations and instructions in a safe place for future use.

SAFETY INSTRUCTIONS

- 1) Keep work area clean and well lit.
- 2) Use caution when operating this tool.
- 3) Stay alert while operating the tool. Do not use while under the influence of drugs or alcohol.
- 4) Do not use the tool in wet or explosive environments, especially near flame, flammable materials or surfaces.
- 5) Check the tool carefully before each use. Do not use if problems are found.
- 6) Dress properly. Do not wear loose clothing or jewelry. Keep long hair pulled back.
- 7) Do not overreach when using this tool. Keep proper footing and balance at all times.
- 8) Use safety equipment. Wear eye protection, dust mask, safety shoes, hardhat and/or hearing protection in appropriate situations.

For warranty purchases, please keep your dated proof of purchase. File or attach to the manual for safekeeping.

9) Use clamps or other practical way to secure and support the piece a stable platform. Holding the work piece against your body or by hand is unstable and may lead to a loss of control.

10) Do not force the tool; use the correct tool for the application. The correct tool will allow the job to be completed in a better and safer way.

11) Disconnect the tool from the air compressor before making any adjustments, changing the accessories or storing the tool.

12) Maintain tools with care. Check for misalignment or binding of moving parts and for any other condition that may affect the tool's operation.

13) Some accessories suitable for one tool may not be suitable for use on another. Check to make sure that all accessories to be used are suitable.

14) Tool service may only be performed by qualified repair personnel.

15) Never touch the moving parts of the air tool.

16) Do not attempt to use the tool dismounted.

17) Do not attempt to modify or tamper with the tool.

18) Do not touch electrically live parts with the tool.

USE

1) Remove the top that is covering the air intake valve and screw the nozzle into the clutch.

2) Put a few drops of lubricant oil (make sure it is without resin acid) in the air intake valve.

3) Check for damage to the air supply tube. If it is damaged, broken or deformed, do not connect it to the tool and use it.

4) Make sure the working pressure does not exceed 90 PSI. Pressures higher than 90 PSI can cause excessive damage and wear to the tool.

5) When connecting the air supply tube to the tool, do not push the lever.

CONNECTING TOOLS

1) Disconnect the air tube before connecting or disconnecting the accessories.

2) Choose the head that matches the shape and size needed.

3) Push the head onto the square drive.

4) To remove the head, pull it with force.

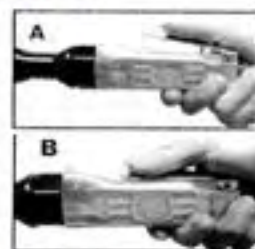
TURNING TOOL ON/OFF

1) After the sleeve and flexible tube are connected hold the air ratchet by the gun grip.

2) Push forward with the thumb to release the safety lock and then push the lever to start the tool rotation.

3) The start lever is a hold-to-run control. When pressure is released, the tool stops rotating.

4) To turn off the ratchet, release the start lever.



Maintenance

1) Make sure to disconnect the tool from the air line before any cleaning or maintenance is performed.

2) A general cleaning is necessary to remove dregs, dust or dirt accumulation on the tool.

3) Do not use organic solvents because they may cause corrosion and fading. Never use paint thinner, gasoline or a similar substance to clean the nozzle.

4) Lubricate all rotating parts of the tool by inserting oil through the nozzle. Make sure the tool is disconnected from the air tube, put the tool in a vertical position with the nozzle upwards and place a few drops of oil in the nozzle. Be sure to use suitable air tool oil.

Storage

Avoid storing the tool in locations with high humidity because it may cause the tool to rust on the inside. Before storing for long periods of time, oil the tool at the air inlet and allow it to run for a few seconds.

Disposal

When the tool is seriously damaged or no longer functioning, recycle it according to local laws and regulations.

Replacement Parts

Contact North American Tool Industries (NATI) directly for all replacement parts and service needs. When ordering, be sure to have the spare part number and tool model #.

Limited Manufacturer Warranty

North American Tool (NAT) Industries makes every effort to ensure that this product meets high quality and durability standards. NAT warrants to the original retail consumer a 1-year limited warranty from the date the product was purchased at retail and each product is free from defects in materials. Warranty does not apply to defects due directly or indirectly to misuse, abuse, negligence or accidents, repairs or alterations, or a lack of maintenance. NAT shall in no event be liable for death, injuries to persons or property, or for incidental, special or consequential damages arising from the use of our products. To receive service under warranty, the original manufacturer part must be returned for examination by an authorized service center. Shipping and handling charges may apply. If a defect is found, NAT will either repair or replace the product at its discretion.

DO NOT RETURN TO STORE

For Customer Service:

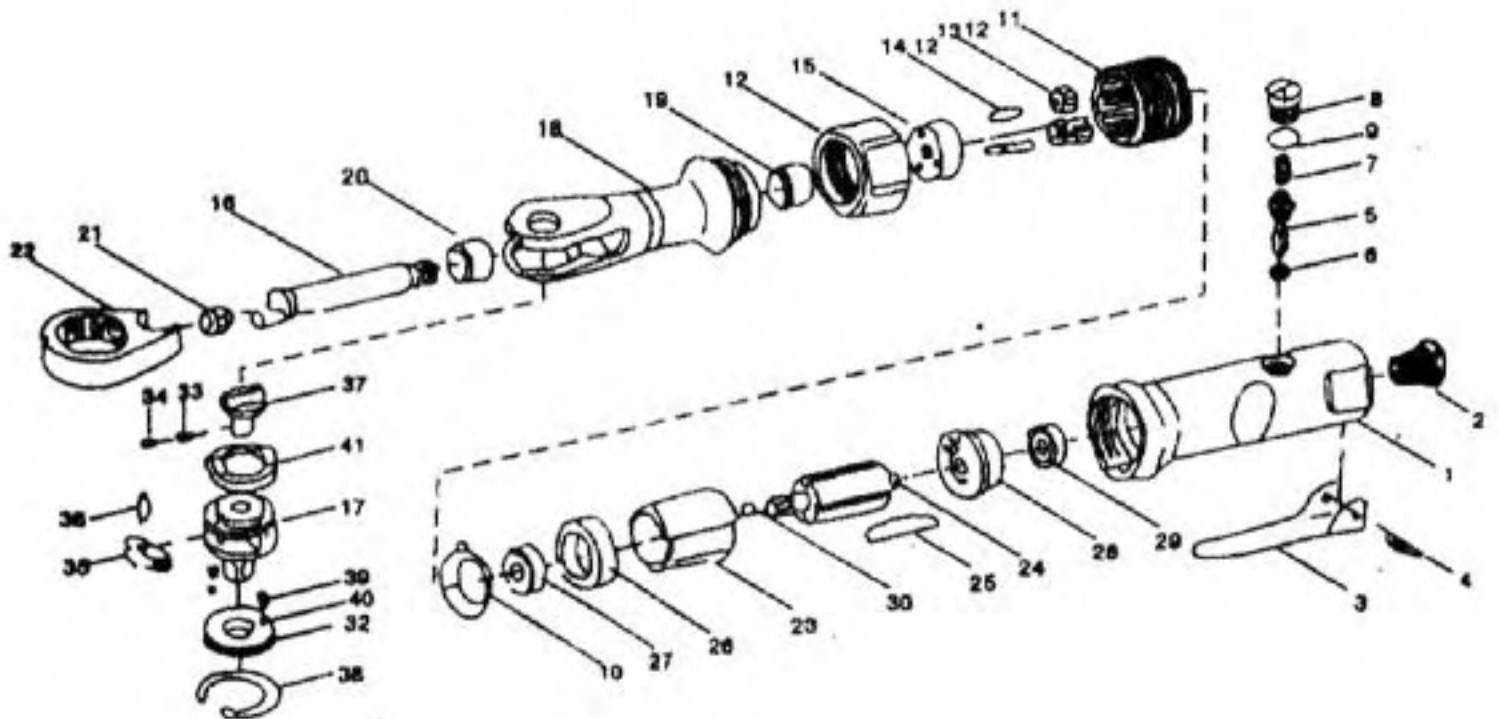
Email: feedback@natitools.com or Call 1-800-348-5004



3/8 INCH AIR RATCHET WRENCH

Model: 7637

Parts List



Call 1-800-348-5004 for assistance or replacement parts

Please provide the following information:

- Model number
- Part description and number as shown in parts list
- Serial number (if any)

Address any correspondence to:

North American Tool Industries
84 Commercial Rd
Huntington, IN 46750

No.	Description	Quantity
1	Housing	1
2	Connection Head	1
3	Trigger	1
4	Roll Pin	1
5	Valve	1
6	O-Ring	1
7	Spring	1
8	Valve Plug	1
9	O-Ring	1
10	Washer	1
11	Thread Ring Gear	1
12	Clamp Nut	1
13	Idler Gear	3
14	Idler Gear Pin	3
15	Idler Gear Plate	1
16	Crank Shaft	1
17	Ratchet Anvil	1
18	Ratchet Housing	1
19	Bushing	1
20	Bushing	1
21	Drive Bushing	1

No.	Description	Quantity
22	Ratchet Yoke	1
23	Cylinder	1
24	Rotor	1
25	Rotor Blade	1
26	Front Plate	1
27	Front Bearing	1
28	Real Plate	1
29	Real Bearing	1
30	Cylinder Pin	1
31	Thrust Washer (3/8in.)	1
32	Thrust Washer (1/2in.)	1
33	Spring	1
34	Lock Pin	1
35	Ratchet Pawl	1
36	Pin	1
37	Reverse Button	1
38	Retainer Ring	1
39	Spring	1
40	Steel Ball	1
41	Washer	1