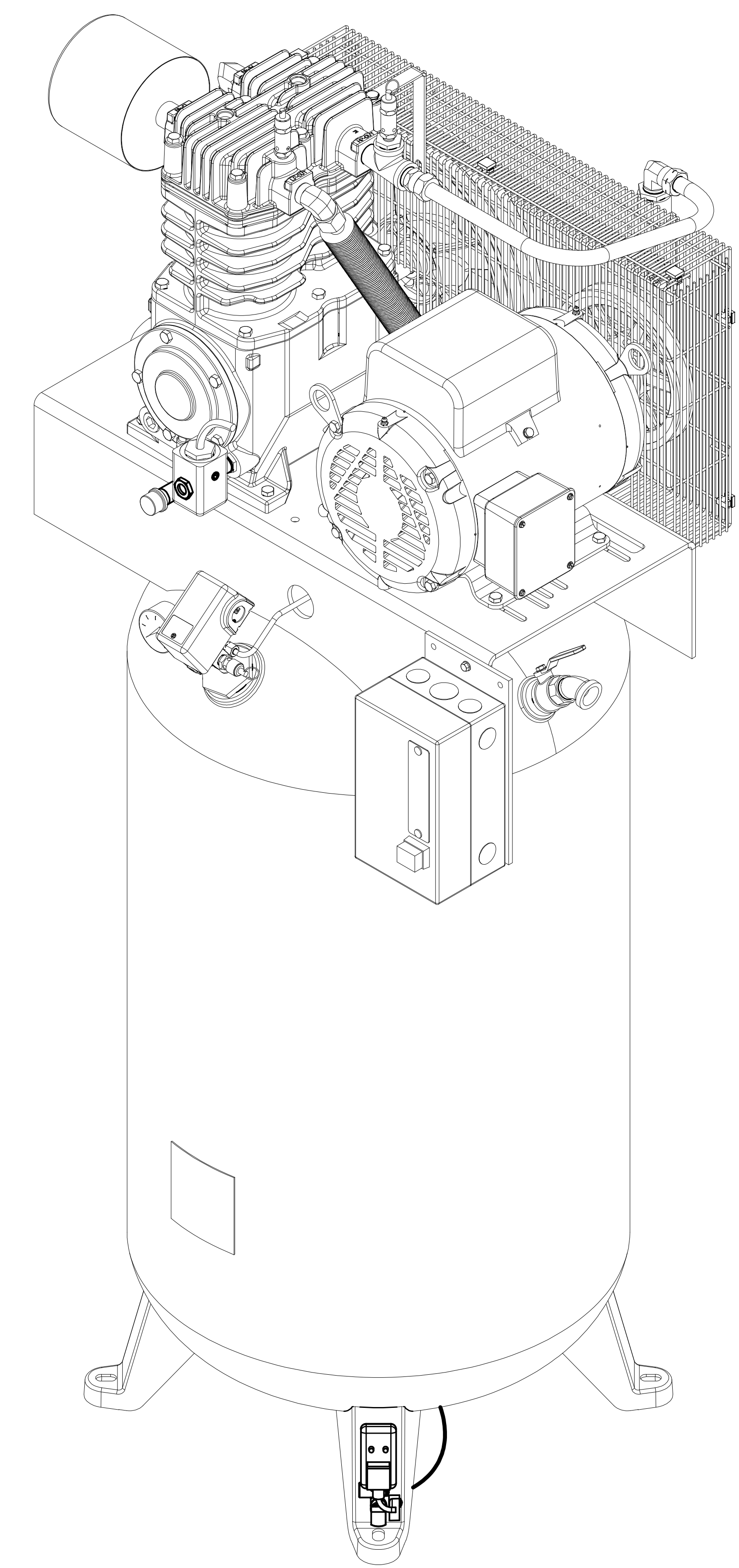
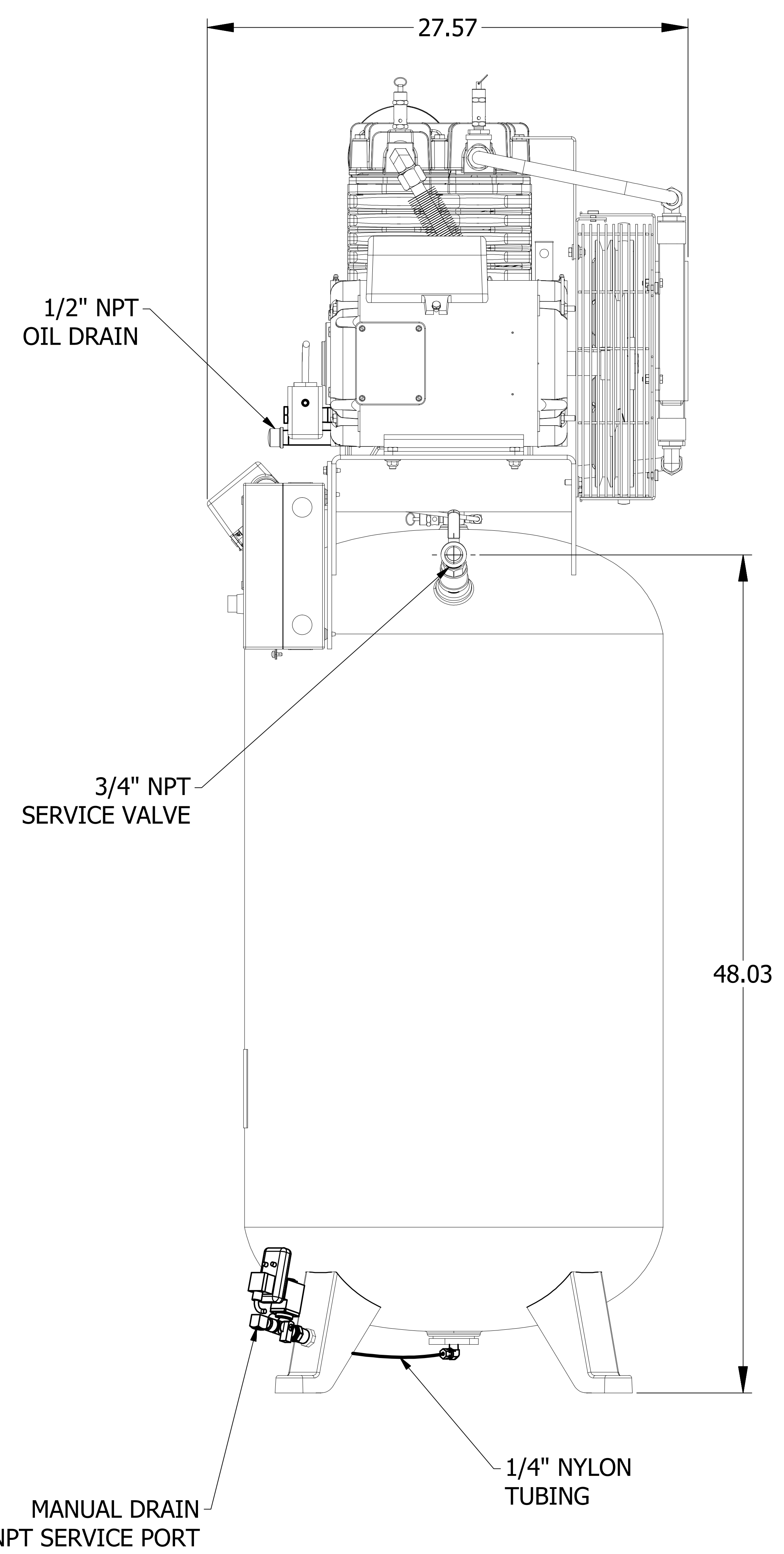
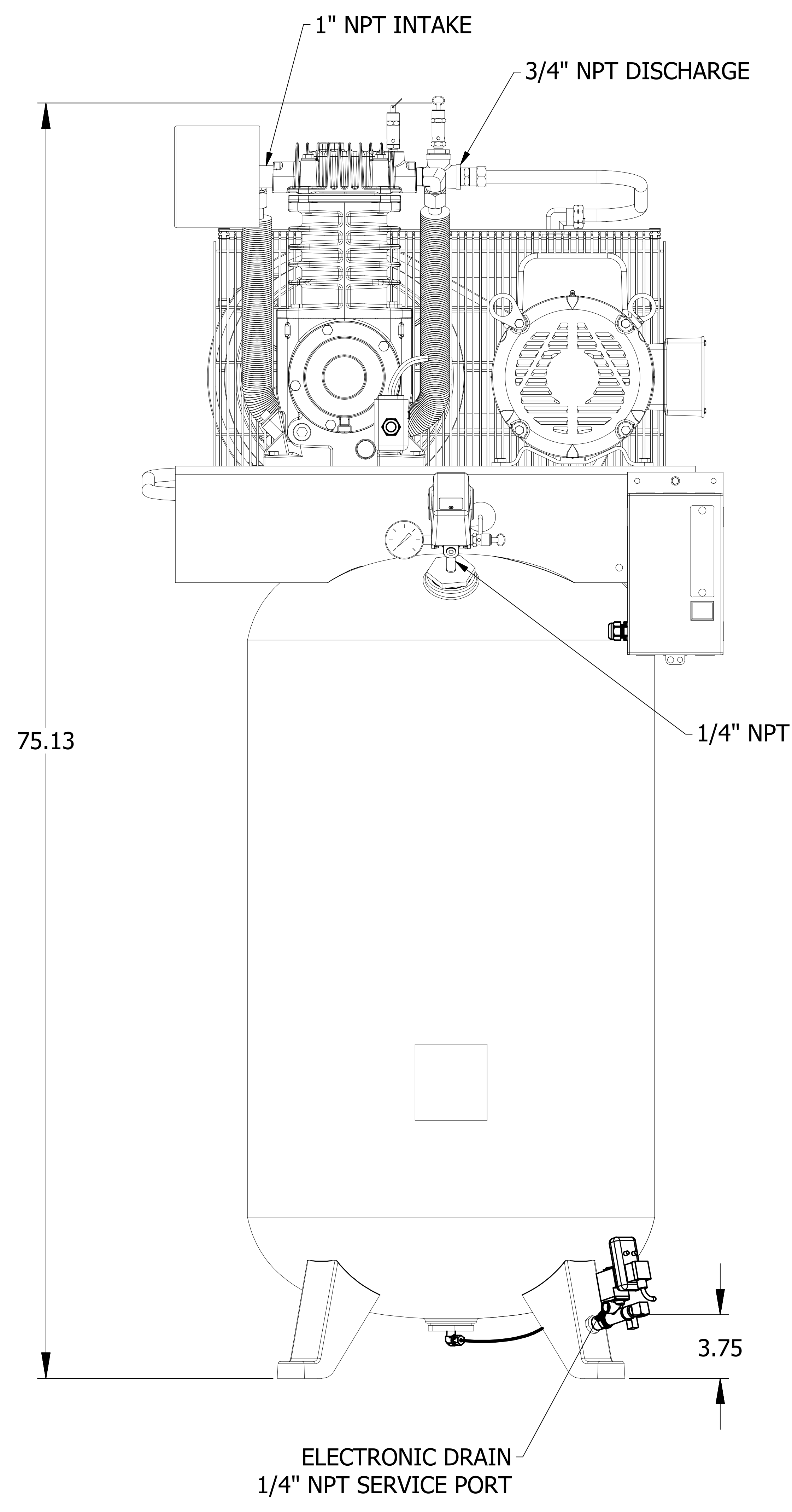
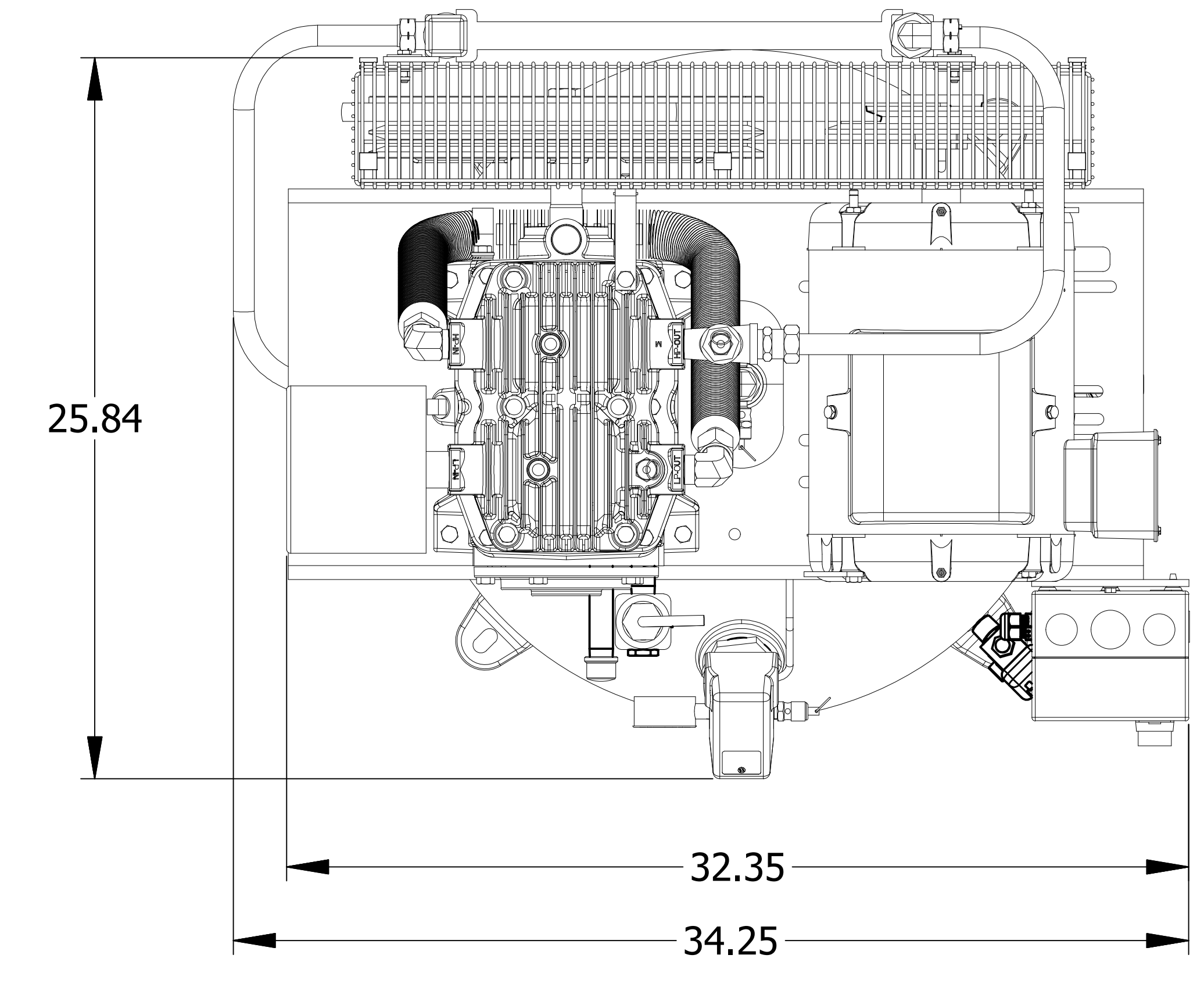
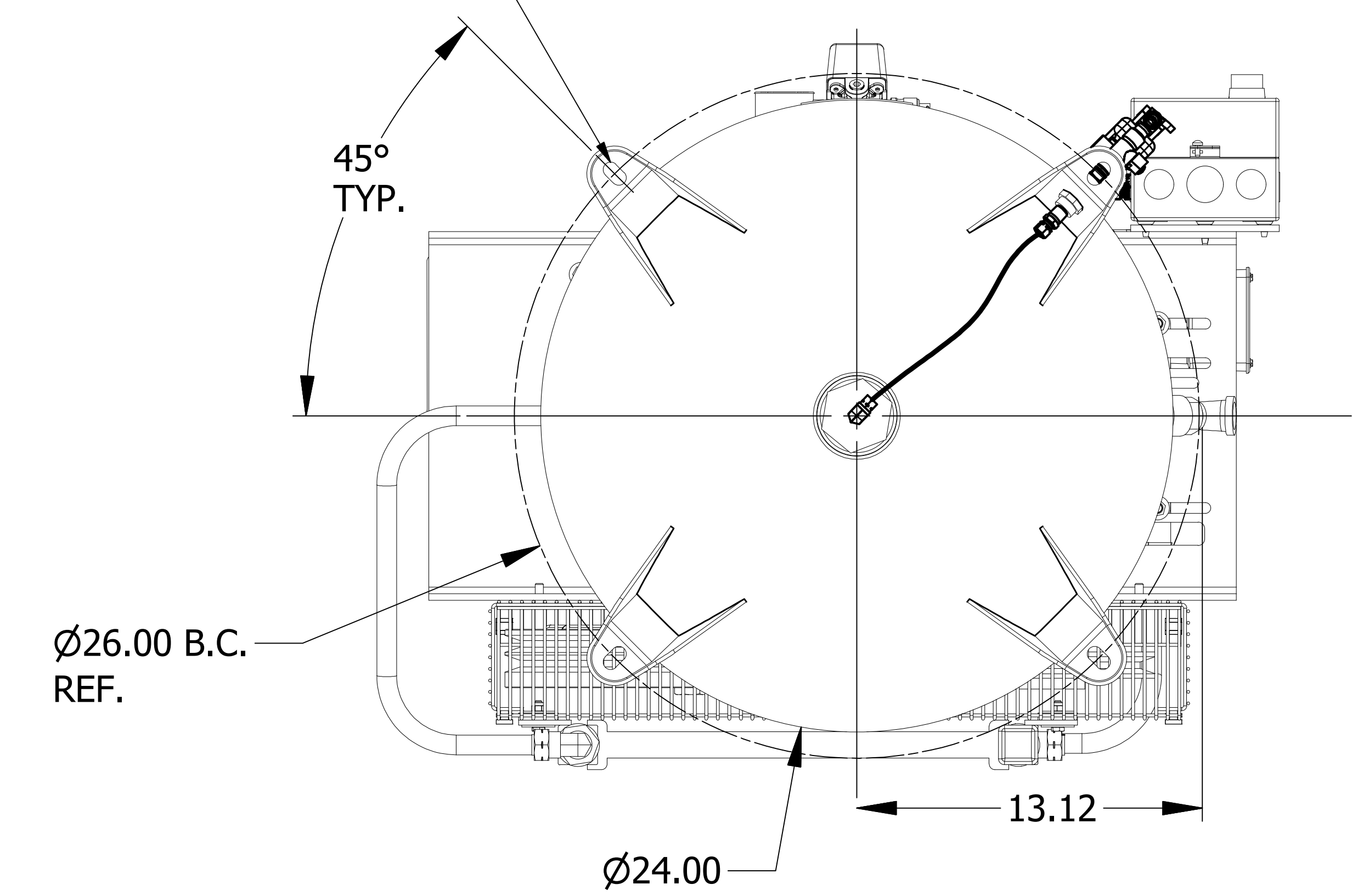


NOTES:
 1) ALL DIMENSIONS GIVEN IN INCHES.
 2) ALLOW A MINIMUM OF 12 INCHES ON ALL SIDES FOR SERVICE AND COOLING.



HOLE SIZE FITS .50 DIA BOLT ON SPREADS AS SHOWN



Name: DRAWING_DIM_QT-7.5 MAX_80V		Part Number: 2022035011		Internal	
Material: Not Applicable		Finish: Not Applicable		Scale: 1/4"	
Drawn by: ufybweaker		Make From:		E: Similar to	
Version: 01		Blank wt:		Replaces:	
Dis checked:		Prod checked:		Approved:	
Date: 3/2/2018		Date: 3/2/2018		Date: 3/2/2018	
Parent 3D model: 2022035010		Ed. Version 3D: Preliminary		2022035011	
LUTY		LUTY		LUTY	