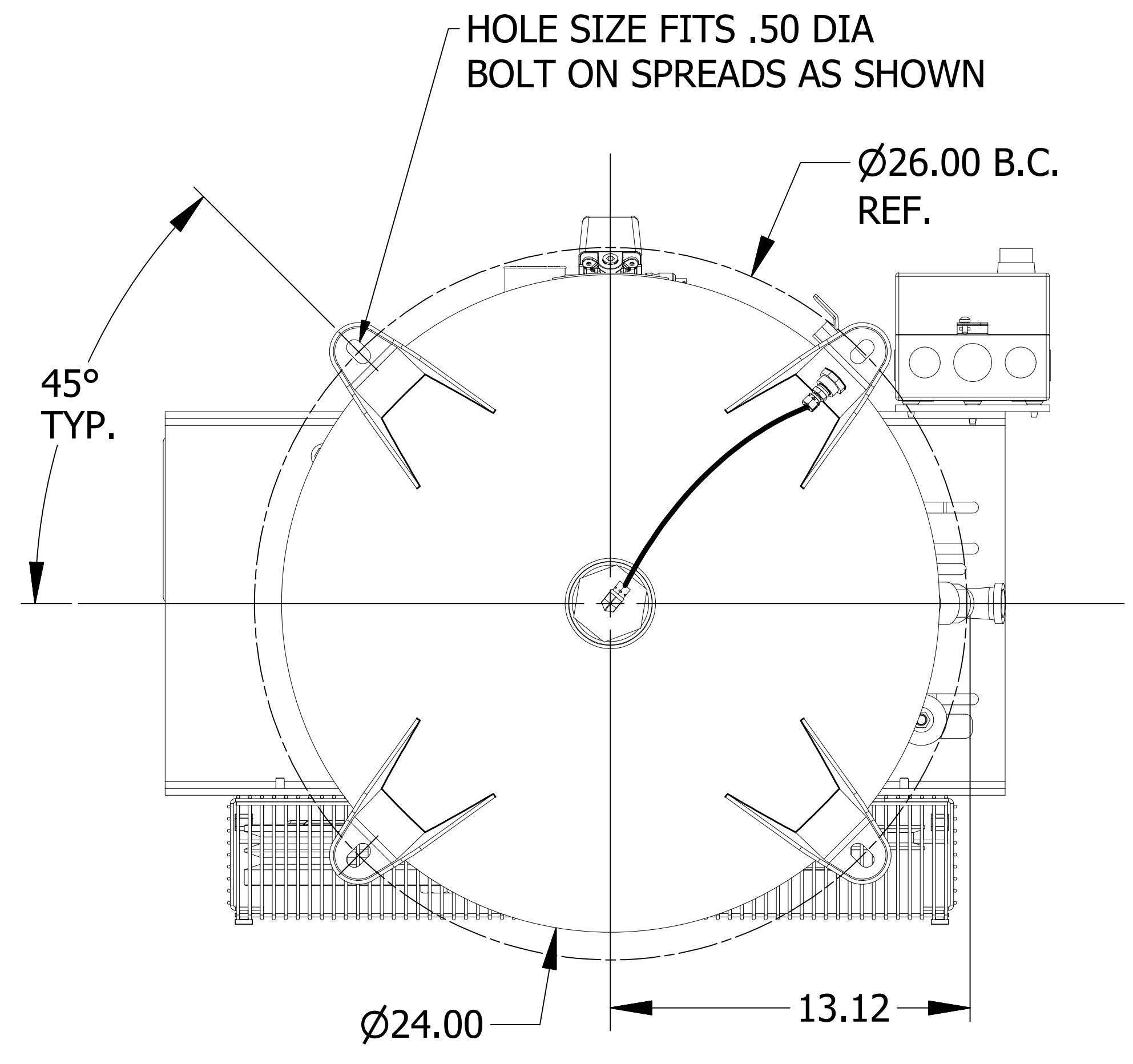
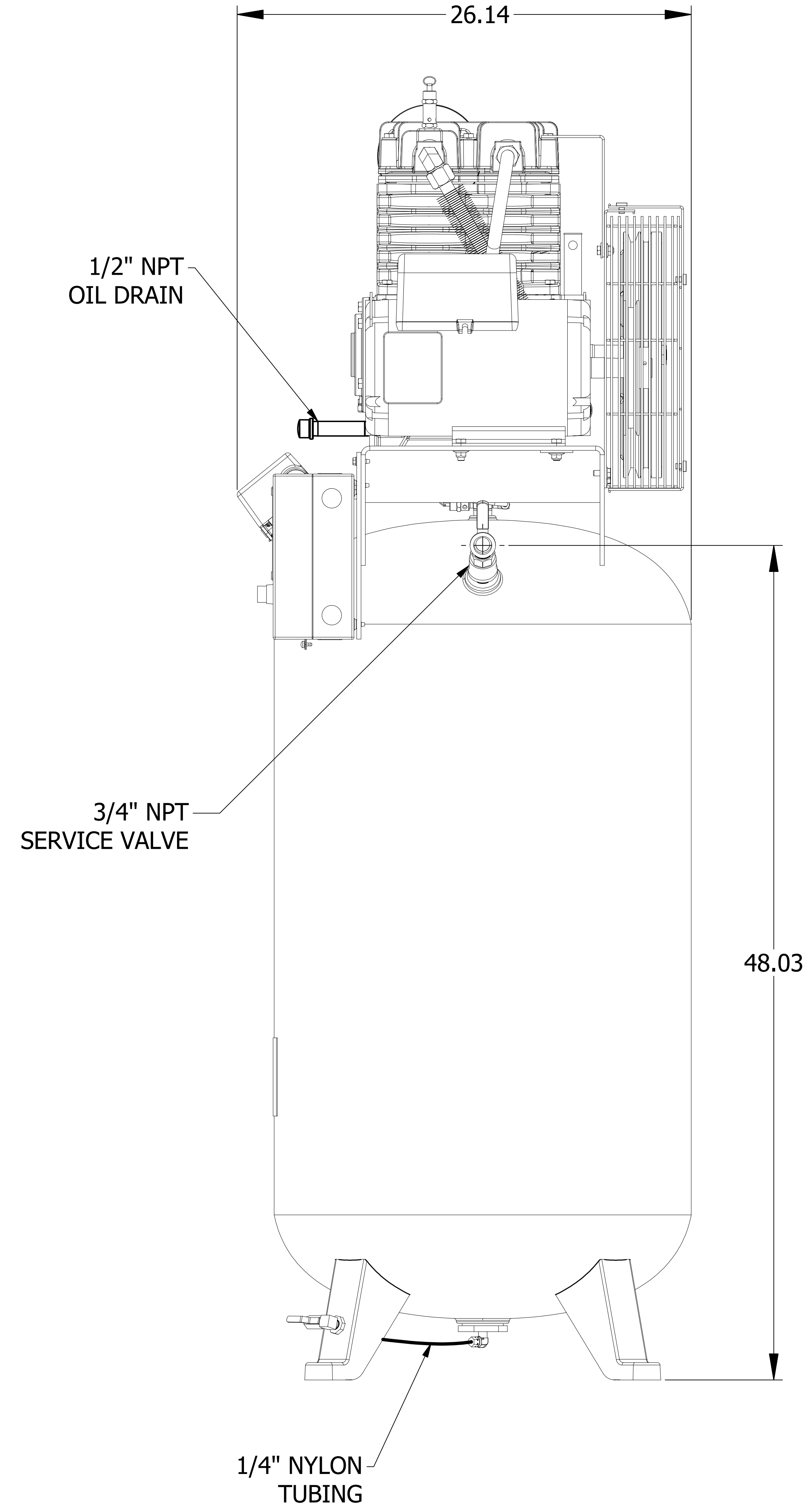
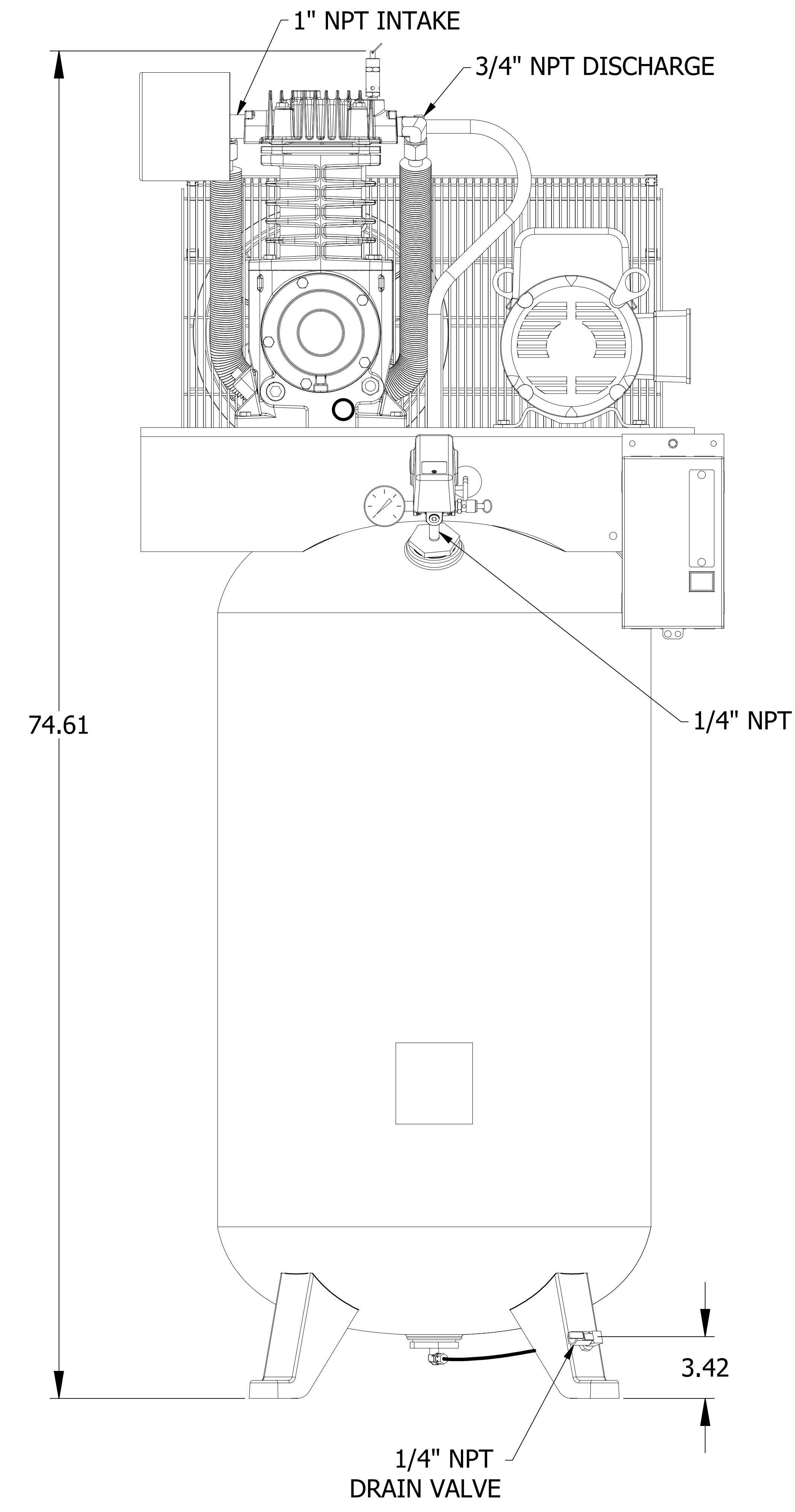
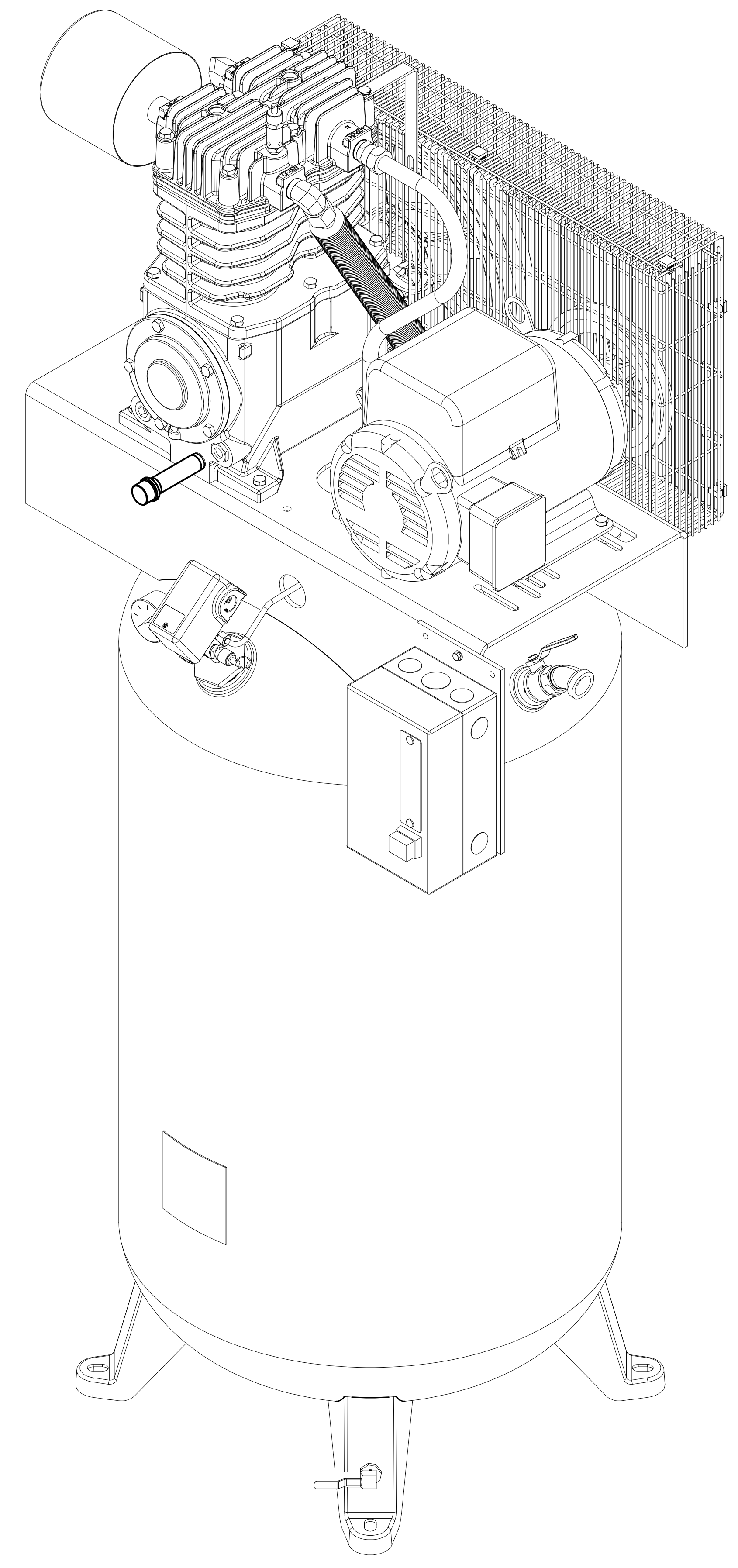


NOTES:  
 1) ALL DIMENSIONS GIVEN IN INCHES.  
 2) ALLOW A MINIMUM OF 12 INCHES ON ALL SIDES FOR SERVICE AND COOLING.



Name: DRAWING_DIM_QT/QP-5_PRO.80V		Part Number: 2022035004	
Material: Not Applicable		Internal: INV	
Finish: Not Applicable		Drawn by: LUTY	
Scale: 1/4"	Family: E	Similar to: INV	Drawn by: LUTY
Drawn by: ufybeaker	Make From:	Replaces:	
Version: 01	Blank wt:	Fin wt:	0 lb
Dis checked:	Prod checked:	Approved:	Date: 3/1/2018
Parent 3D model:	Ed. Version 3D:	Preliminary	2022035005