

---

# **Kaishan Rotary Screw Air Compressor**

---

## **KRSV 10HP Parts Manual**

---

---

PN: 97002023000138

Release July 2023, Version: D

(460V/60HZ/VSD/ASME/UL)

## TABLE OF CONTENTS

---

<b>Service Parts .....</b>	<b>3</b>
<b>Serial Number .....</b>	<b>3</b>
<b>Fluid Specification .....</b>	<b>4</b>
<b>Spare Parts .....</b>	<b>5</b>
<b>Airend and inlet valve.....</b>	<b>6</b>
<b>Base mounting.....</b>	<b>9</b>
<b>Reservoir .....</b>	<b>11</b>
<b>Driving System and Electrical Motor .....</b>	<b>13</b>
<b>Air Cooler .....</b>	<b>15</b>
<b>Fluid Piping.....</b>	<b>17</b>
<b>Cabinet.....</b>	<b>19</b>
<b>Electrical Enclosure .....</b>	<b>21</b>
<b>Decals .....</b>	<b>23</b>
<b>Standard Terms and Conditions.....</b>	<b>26</b>
<b>Appendix .....</b>	<b>29</b>
<b>Contact Information .....</b>	<b>30</b>

## Service Parts

---

The following information must be provided for ordering service parts:


1. The serial number of unit must be provided. It will be verified to ensure correct replacement parts are ordered.
2. Service parts must be ordered from closest authorized distributor.
3. Exact part number, quantity and delivery method must be provided.

All service parts must be ordered through nearest authorized distributor. Insist on genuine manufacturer parts only. Failure to do so may void product warranty.

## Serial Number

---

The unit serial number can be found on serial number tag, which is located on the cabinet corner post of the unit. The serial number tag is shown as follows.

	SCREW VACUUM PUMP			
MODEL	<input type="text"/>			
SERIAL NUMBER	<input type="text"/>			
MAX VACUUM LEVEL	<input type="text" value="29.9\"/>	MOTOR POWER	<input type="text"/>	HP
VOLTAGE	<input type="text"/>	DATE OF MFG	<input type="text"/>	
NET WEIGHT	<input type="text"/>	KG		
KAISHAN COMPRESSOR USA, Loxley, AL				
<a href="http://www.KaishanUSA.com">www.KaishanUSA.com</a>				

## Fluid Specification

---

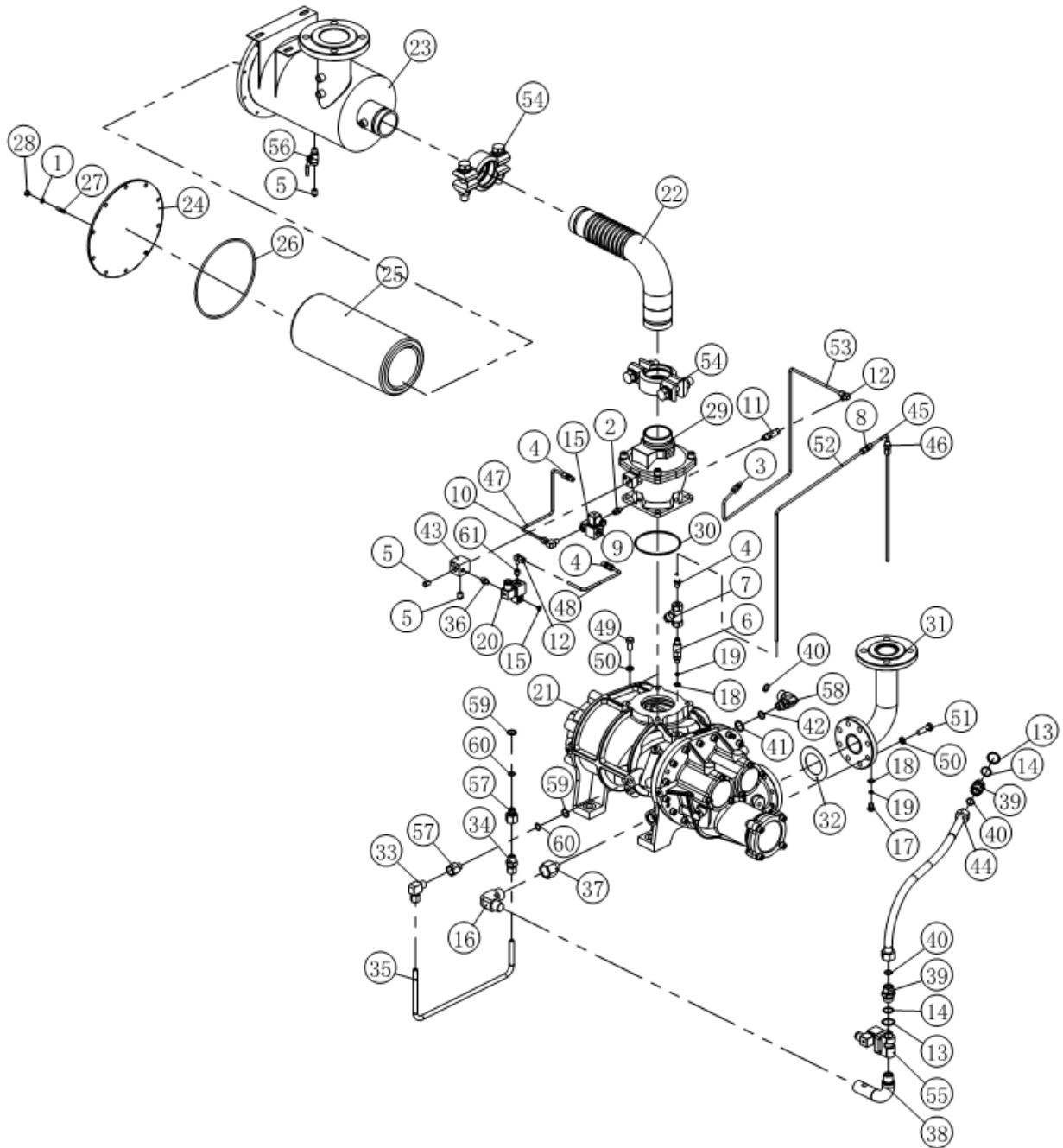
All KRSV Compressors must use KCA recommended fluid for maintenance.

## Spare Parts

Recommended spare parts are shown as follows:

ITEM No.	QTY	PART NUMBER	DESCRIPTION		
1	1	537702 320710	Air filter element		
2	1	07709 94172 00	Oil filter		
3	1	55220 273305	Fluid/air separator element		

## Airend and Inlet valve



## Airend and Inlet valve

NO.	VERSION	PN	DESCRIPTION	QTY	REMARK
1		01365 08000 00	Washer	1	8
2		98018 07011 03	Joint	1	
3		01512 06100 00	Joint	1	
4		01512 06130 00	Joint	3	
5		02103 00008 00	Plug	3	
6		01610 01015 02	Visible check valve	1	
7		07706 00025 00	Filter	1	
8		01558 06000 00	Joint	1	
9		01603 31015 00	Solenoid valve	1	12bar,1.5
10		01513 06130 00	Joint	1	
11		01610 03000 00	Check valve	1	
12		01513 06100 00	Joint	2	
13		02201 00020 00	Screw washer	2	
14		02901 02360 20	O ring	2	23.6X2.65
15		07711 04005 00	Muffler	2	
16		18131 01005 00	Joint	1	NPT1-R3-4
17		18404 03100 00	Plug	1	M12X1.5
18		02201 01215 00	Screw washer	2	
19		02901 00950 10	O ring	2	9.5X1.8
20		01603 31016 00	Solenoid valve	1	5bar,1.5
21		1820201	Airend	1	
22	S01	83031 01002 00	Connecting pipe	1	
23		83031 08010 10	Air filter shell	1	
24		83031 08010 20	Air filter cover	1	
25		537702 320710	Air filter element	1	
26		02901 22400 50	O ring	1	224X5.3
27		01391 08020 02	Stud	1	AM8×20
28		01322 08000 00	Nut	1	M8
29		01693 00000 00	Inlet valve	1	
29A*		04002 00070 03	Inlet valve kit	1	Spring A, o ring 9.5*1.8, spring B, guide belt A, guide belt B, O ring 58*3.55, O ring 28*2.65, O ring 75*2.65, O ring 155*3.55
30		02901 11800 30	O ring	1	118X3.55
31		83031 01001 00	Airend discharge pipe	1	
32		02216 05016 00	Gasket	1	
33		01513 01221 00	Joint	1	
34		01512 12210 00	Joint	1	
35		87117 01003 00	Oil injection pipe	1	
36		98018 07011 06	Joint	1	
37		11031 01003 00	Joint	1	
38		91031 01210 01	Connecting pipe	1	
39		12315 06004 09	Joint	2	
40		02901 01600 20	O ring	3	16X2.65
41		02201 00015 00	Screw washer	1	
42		02901 01800 20	O ring	1	18X2.65

## Airend and inlet valve

---

---

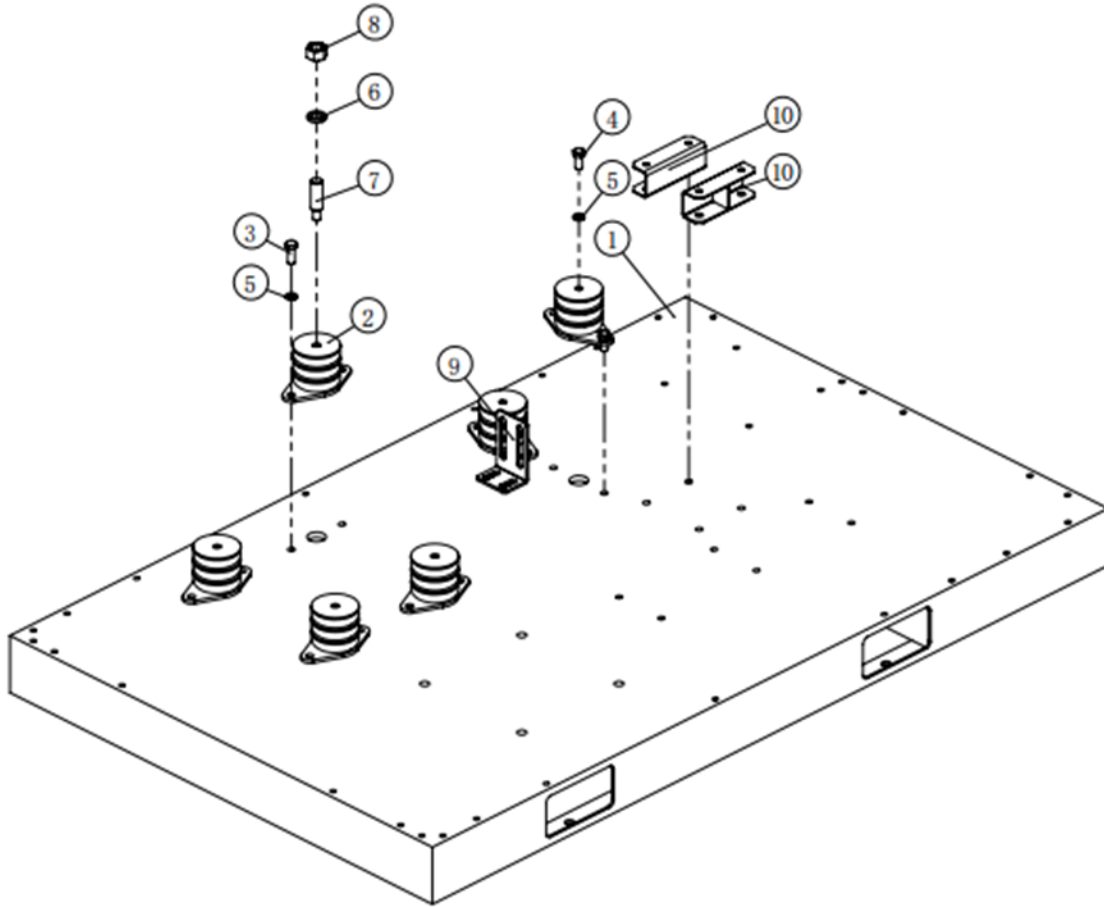
NO.	VERSION	PN	DESCRIPTION	QTY	REMARK
43		11031 07002 00	Connecting part	1	
44		83031 01007 00	Air pipe	1	
45		83031 01006 10	Scavenging pipe	1	
46		14435 03300 09	Joint	1	
47		83031 01004 00	Air control pipe	1	
48		83031 01005 00	Air control pipe	1	
49		01307 12025 00	Bolt	1	M12×25
50		01365 12000 00	Washer	2	12
51		01307 12040 00	Bolt	1	M12×40
52		83031 01006 20	Scavenging pipe	1	
53		83031 01003 00	Scavenging pipe	1	
54		01530 10107 61	Joint	2	
55		01603 00014 03	Solenoid valve	1	16bar,18
56		01613 00800 11	Ball valve	1	
57		87117 01170 00	Joint	2	
58		13435 06200 19	Adjustable elbow	1	G0.5-M27x1.5
59		02201 00010 00	Screw washer	2	
60		02901 01450 20	O ring	2	14.5X2.65
61		91031 01250 01	Joint	1	M5-Rp0.125

Note: \* Items are not shown on the drawing.



## Base mounting

---



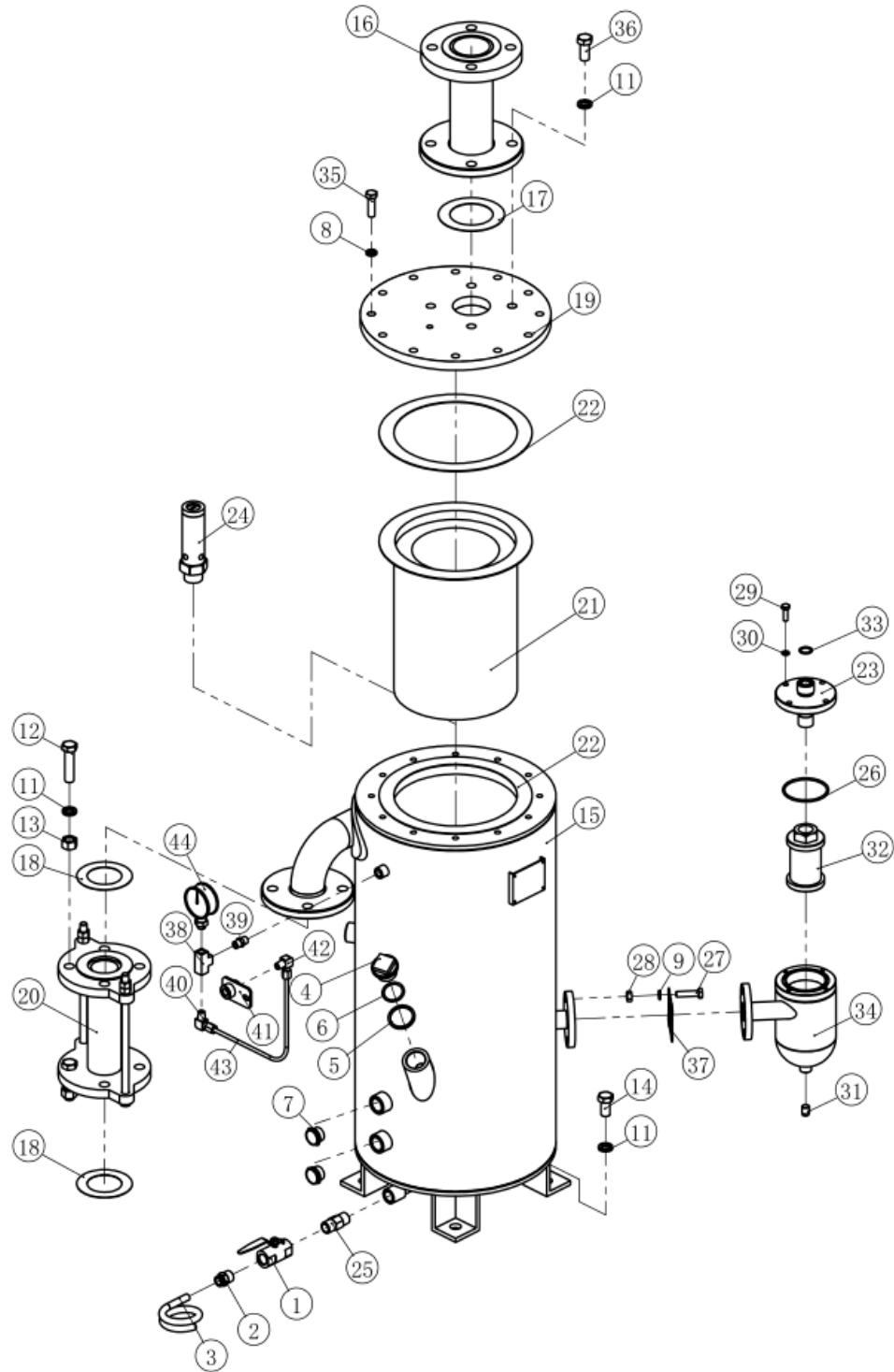
## Base mounting

---

---

NO.	VERSION	PN	DESCRIPTION	QTY	REMARK
1	S01	83031 02010 00	Base	1	
2		02905 00001 00	Absorber	6	
3		01307 12030 00	Bolt	1	M12×30
4		01307 12025 00	Bolt	2	M12×25
5		01365 12000 00	Washer	3	12
6		01365 20000 00	Washer	1	20
7		13031 02001 00	Bolt	1	
8		01322 20000 00	Nut	1	M20
9		17330 00005 00	Fixing plate,shipping	1	
10		83031 02001 00	Motor support	2	

# Reservoir

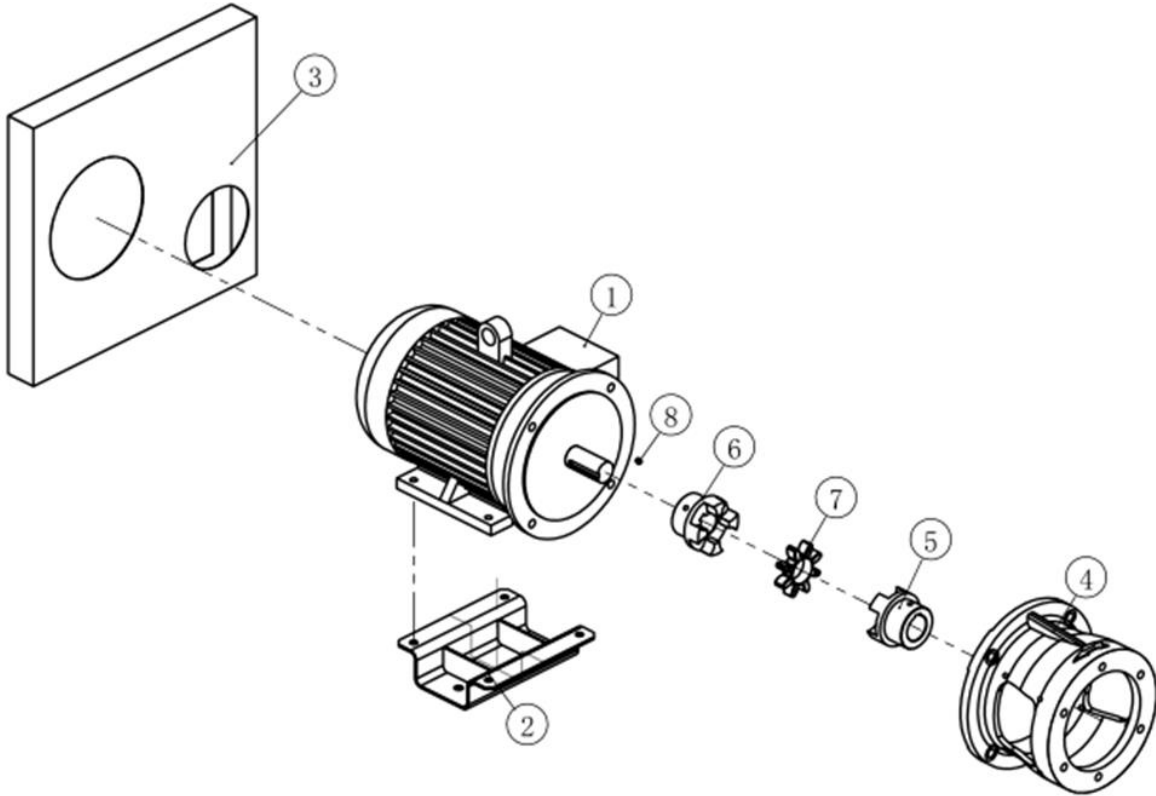


## Reservoir

NO.	VERSION	PN	DESCRIPTION	QTY	REMARK
1		01613 01500 00	Ball valve	1	DN15
2		01543 21012 00	Joint	1	
3		02917 12300 00	Nylon pipe	1	
4		13340 03003 00	Plug	1	
5		02201 03320 00	Screw washer	1	
6		02901 03350 30	O ring	1	33.5X3.55
7		02102 00020 00	Sight glass	2	
8		01365 12000 00	Washer	1	12
9		01365 10000 00	Washer	1	10
10		01307 16055 00	Bolt	11	M16×55
11		01365 16000 00	Washer	16	16
12		01306 16065 00	Bolt	3	M16×65
13		01322 16000 00	Nut	2	M16
14		01307 16030 00	Bolt	1	M16×30
15		83031 03010 00	Air/fluid separator tank	1	
16	S01	83031 03005 00	Air discharge pipe	1	
17		02216 06516 00	Gasket	1	
18		02216 05016 06	Gasket	2	
19		83031 03010 80	Lid	1	
20		18333 03003 00	Corrugated pipe	1	
21		55220 273305	Air/fluid separator element	1	
22		02216 22273 11	Gasket	2	
23	S01	83031 03002 00	Oil absorption filter element flange	1	
24		01601 25015 07	Safety valve	1	
25		18404 07110 00	Joint	1	R0.5-R0.5
26		02901 07500 30	O ring	1	75X3.55
27		01306 10040 00	Bolt	1	M10×40
28		01322 10000 00	Nut	1	M10
29		01307 08025 00	Bolt	1	M8×25
30		01365 08000 00	Washer	1	8
31		02103 00008 00	Plug	1	
32		07706 16901 30	Oil strainer element	1	
33		02901 01800 20	O ring	1	18X2.65
34	S01	83031 03006 00	Oil strainer seat	1	
35		01307 12040 00	Bolt	1	M12×40
36		01307 16035 00	Bolt	1	M16×35
37	S02	02217 07504 16	Gasket	1	
38		11476 07003 00	Tee joint	1	1/4
39		98018 07011 00	Joint	1	
40		01513 06130 00	Joint	1	
41		90217 03100 00	Pressure gauge seat	1	
42		01513 06140 00	Joint	1	
43	S01	83031 03100 00	Connecting pipe	1	
44		02801 06301 00	Pressure gauge	1	

## Driving System and Electrical Motor

---



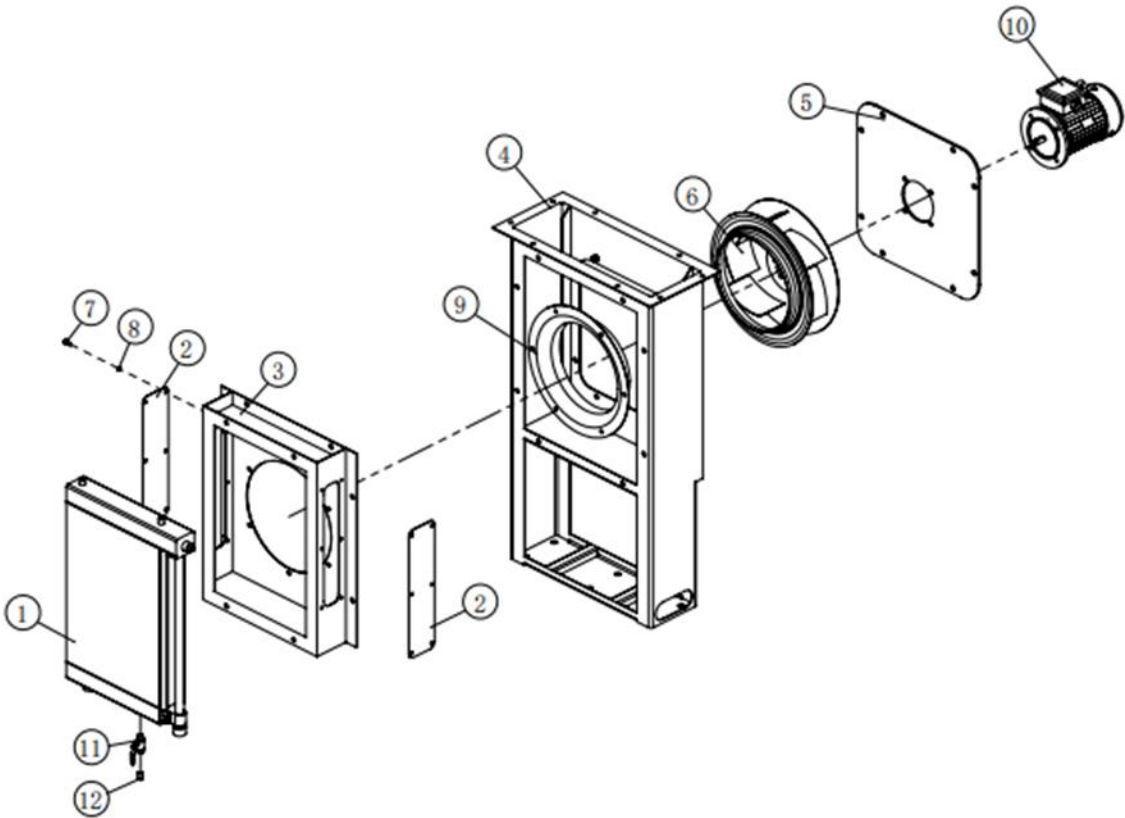
## Driving System and Electrical Motor

---

NO.	VERSION	PN	DESCRIPTION	QTY	REMARK
1		64007 46043 25	WEG motor	1	
2	S01	83031 02002 00	Motor support	1	
3	S01	83031 08400 00	Motor air inlet	1	
4		01914 10815 05	Motor adaptor	1	
5		01905 04204 50	Half coupling	1	
6		01905 04203 80	Half coupling	1	
7		01908 04200 00	Elastomer	1	
8		01347 08008 00	Set screw	2	M8X8

# Air Cooler

---



## Air Cooler

---

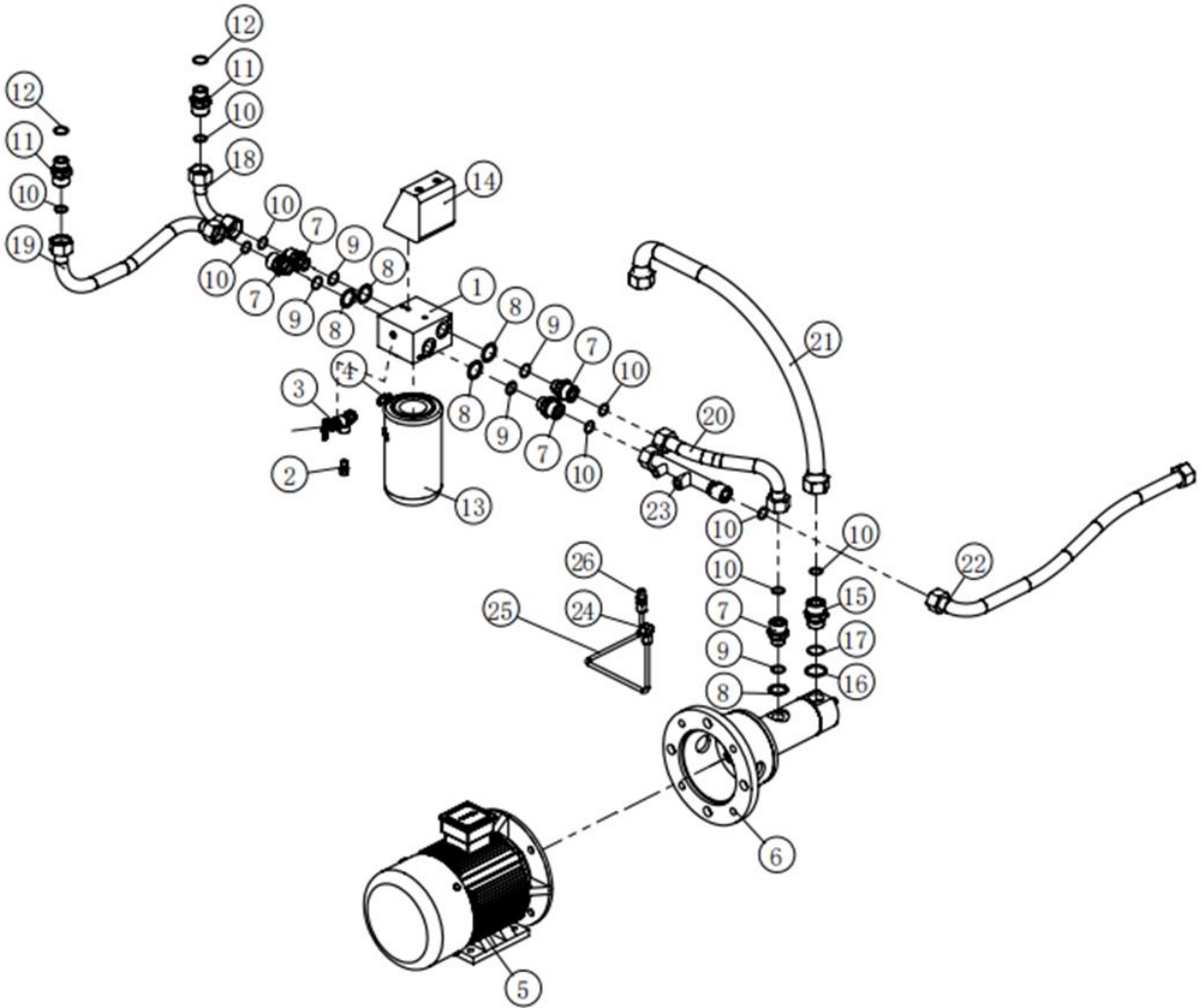
---

NO.	VERSION	PN	DESCRIPTION	QTY	REMARK
1	S01	83031 05010 10	Oil cooler	1	
2	S01	83031 05006 00	Seal plate	2	
3	S01	83031 05001 00	Cooler support	1	
4	S01	83031 05002 00	Fan motor support	1	
5	S01	83031 05007 00	Fan motor fixing plate	1	
6		07261 31514 10	Impeller	1	
7		01307 06016 00	Bolt	1	M6×16
8		01365 06000 00	Washer	1	6
9		07261 31500 20	Collector	1	
10		66125 37651 25	Motor(0.25KW)	1	
11		01613 00800 11	Ball valve	1	
12		02103 00008 00	Plug	1	



# Fluid Piping

---



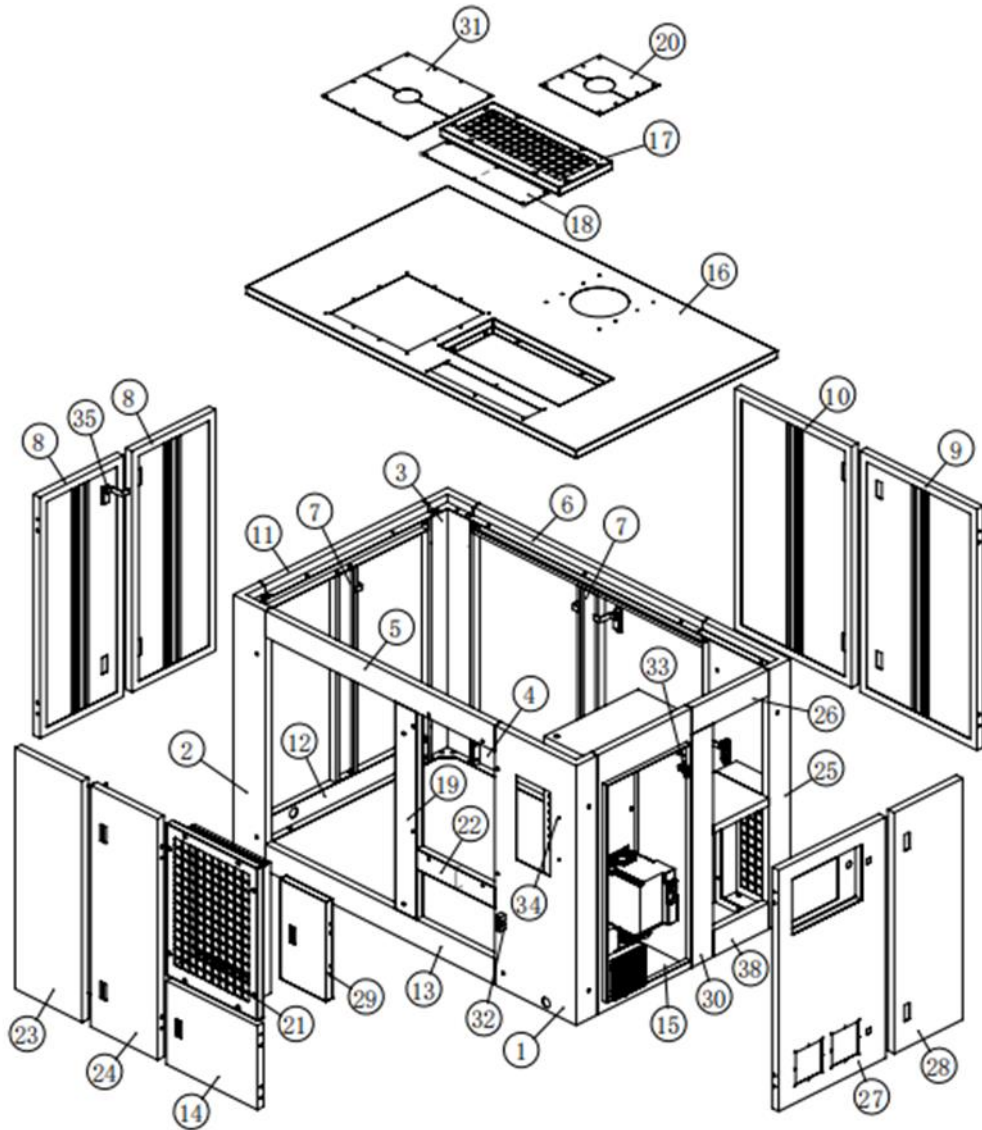
## Fluid Piping

NO.	VERSION	PN	DESCRIPTION	QTY	REMARK
1		01611 01583 03	Thermal valve	1	
1A*		04004 15083 00	Thermal valve kit	1	O-ring 31.9x2.62, Valve element, Sleeve, Spring.
2		01511 06100 00	Joint	1	
3		01613 00600 99	Sample valve	1	
4		98018 07011 06	Joint	1	
5		64155 46641 25	Motor	1	
6		GR25SMT16B25LGV	Oil pump	1	
7		12315 06001 09	Joint	5	
8		02201 00015 00	Screw washer	5	
9		02901 01800 20	O ring	5	18X2.65
10		02901 01600 20	O ring	9	16X2.65
11		85001 06005 00	Joint	2	
12		02901 91000 30	O ring	2	3-910
13		07709 94172 00	Oil filter	1	
14	S01	83031 06005 00	Oil filter support	1	
15		13315 06009 09	Joint	1	
16		02201 00020 00	Screw washer	1	
17		02901 02360 20	O ring	1	23.6X2.65
18	S01	28009 07004 00	Blow down pipe	1	
19		83031 06003 00	Oil pipe	1	Outlet oil filter
20		83031 06002 00	Oil pipe	1	Oil pump to thermal valve
21		83031 06004 00	Oil pipe	1	Tank to oil pump
22		83031 06001 00	Oil pipe	1	Inlet airend
23		83031 06110 00	Connecting pipe	1	
24		01513 06100 00	Joint	1	
25		83031 06120 00	Oil pipe	1	
26		01512 06130 00	Joint	1	

Note: \* Items are not shown on the drawing.

# Cabinet

---



## Cabinet

NO.	VERSION	PN	DESCRIPTION	QTY	REMARK
1	S01	83031 08001 00	Support	1	
2	S01	83031 08002 00	Support	1	
3	S01	83031 08004 00	Support	1	
4	S01	83031 08005 00	Beam	1	
5	S01	83031 08006 00	Beam	1	
6	S01	83031 08007 00	Beam	1	
7	S01	83031 08110 00	Support	2	
8	S01	83031 08120 00	Door	2	
9	S01	83031 08130 01	Door	1	
10	S01	83031 08130 02	Door	1	
11	S01	83031 08140 00	Beam	1	
12	S01	83031 08160 00	Beam	1	
13	S01	83031 08170 00	Beam	1	
14	S01	83031 08190 00	Door	1	
15	S01	83031 08220 00	Electrical enclosure	1	
16	S01	83031 08260 00	Top cover	1	
17	S01	83031 08270 00	Top mesh plate	1	
18	S01	83031 08280 00	Cooler seal plate	1	
19	S01	83031 08290 00	Support	1	
20	S01	83031 08440 00	Air filter plate	1	
21	S01	83031 08300 00	Air inlet mesh plate	1	
22	S01	83031 08310 00	Fixing plate	1	
23	S01	83031 08330 00	Door	1	
24	S01	83031 08340 00	Door	1	
25	S01	83031 08350 00	Support	1	
26	S01	83031 08360 00	Beam	1	
27	S01	83031 08370 00	Door	1	
28	S01	83031 08380 00	Door	1	
29	S01	83031 08410 00	Door	1	
30	S01	83031 08420 00	Support	1	
31	S01	83031 08430 00	Baffle	1	
32		02701 20601 00	Hinge	2	
33		02702 71111 03	Lock	1	
34		02702 22200 00	Hinge	1	
35		02702 84301 00	Lock	3	
36		02702 84301 00	Lock	2	
37	S01	83031 08200 00	Air box	1	
38	S01	83031 08390 00	Beam	1	
*		07706 98032 00	Frame VSD cabinet filter	3	
*		07211 12381 00	VSD Vent Fan	1	
*		160004-001	VSD cabinet filters element		

\*Not shown in the drawing



## Electrical Enclosure

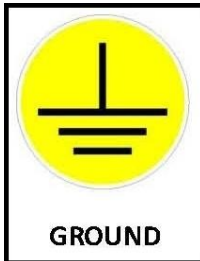
NO.	PN	DESCRIPTION	QTY	REMARK
1	08703 00004 00	Terminal block	35	DZ
2	02820 00001 00	Fuse block	2	FU1-FU2
3	02820 00001 00	Fuse block	3	FU5-FU7
4	02819 06526 00	Miniature breaker	1	Q1
5	02814 00002 00	Intermediate relay seat	4	KA1-KA3;KA6
	02814 01102 00	Intermediate relay	4	
6	02824 20040 00	Fan motor current transformer	1	CT2
7	02825 60038 00	Fan motor contactor	1	KM4
8	02808 04524 00	Power switch	1	DR
9	02818 03150 10	Transformer	1	T
10	08703 00035 00	Terminal	3	TC1
11	08704 12004 00	Cable	1.8M	BVR
12	02828 01075 05	VSD	1	VSD
13	02811 16011 00	Monitor	1	XSQ
14	02827 04844 00	Emergency button	1	JT
15	02827 04104 00	Emergency button seat	1	JT
16	02810 01082 00	Pressure sensor	1	DP
17	02810 01572 00	Pressure sensor	1	SP
18	02810 01096 00	Pressure sensor	1	IP
19	02810 30965 00	Temperature sensor	1	DT
20	02829 32020 60	Grounding copper bar	1	JDTP
22	02825 60038 00	Fan motor contactor	1	KM5
23	02814 35116 01	Cooling fan thermal overload relay	1	FR1
24	KRSVBP10.9-8(400*320*25)	Electrical control board	1	DKB
*25	02821 10004 00	Fuse	2	FU1-FU2
*26	02821 10002 00	Fuse	3	FU5-FU7

Note: \* Items are not shown on the drawing.

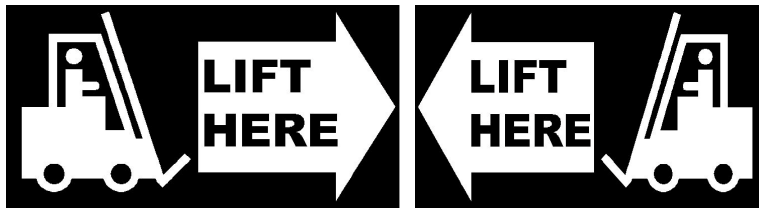
## Decals

---

Decals information is shown as following.



## Decals

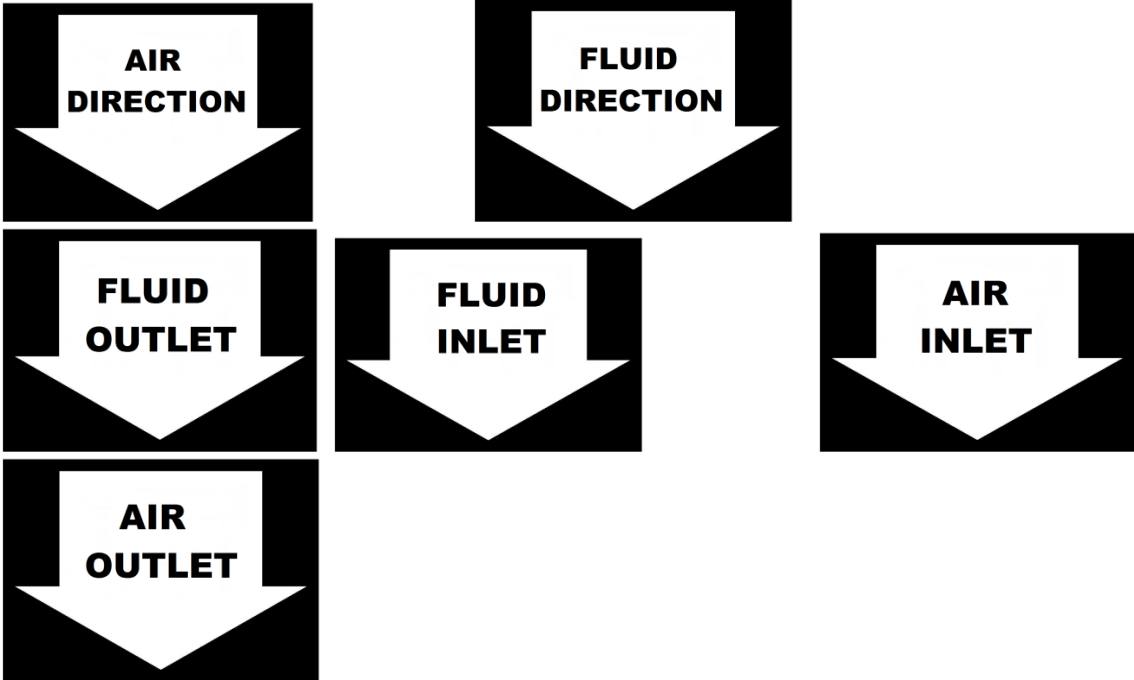


### NOTE:

1. DECALS P/N : 142939



# Decals



NOTE:

- 1. DECALS P/N : 142939

## Standard Terms and Conditions

---

These terms and conditions govern the sale of Products (“Rotary Screw Air Compressors and parts”) and provisions of services by Kaishan Compressor USA, LLC (Seller) and its authorized representative or buyer. These terms and conditions (“Agreement”) take precedence over Buyer’s supplemental or conflicting terms and conditions to which notice of objection is hereby given. Neither Seller’s commencement of performance or delivery shall be deemed or construed as acceptance of Buyer’s supplemental or conflicting terms and conditions. KCA’s failure to object to conflicting or additional terms will not change or add to the terms of this agreement. Buyer’s acceptance of the Products and/or Services from Seller shall be deemed to constitute acceptance of the terms and conditions contained herein.

**Orders:** All orders placed by Buyer are subject to acceptance by Seller. Orders may not be canceled or rescheduled without Seller’s written consent. All orders must identify the products, unit quantities, part numbers, applicable prices and requested delivery dates of the Products being purchased. Seller may at its sole discretion allocate Product among its Buyer. Seller may designate certain Products and Services as non-cancelable, non-returnable and the sale of such Products shall be subject to the special terms and conditions contained in Seller’s Customer Acknowledgement or Non-Returnable Product Form, which shall prevail and supersede any inconsistent terms and conditions contained herein or elsewhere.

**Prices:** The prices of the Products are those prices specified on the front of the invoice or contained within an agreed written contract. Price quotations shall automatically expire in thirty (30) days from the date issued, or as otherwise stated in the quotation.

**Taxes:** Unless otherwise agreed to in writing by Seller, all prices quoted are exclusive of transportation and insurance costs, duties, and all taxes including federal, state and local sales, excise and value added, goods and services taxes, and any other taxes. Buyer agrees to indemnify and hold Seller harmless for any liability for tax in connection with the sale, as well as the collection or withholding thereof, including penalties and interest thereon. When applicable, transportation and taxes shall appear as separate items on Seller’s invoice.

**Payment:** Payment may be made by check, money order, credit card, or wire transfer (all fees are borne by the Buyer). Where Seller has extended credit to Buyer, terms of payment shall be net thirty (30) days from date of invoice, without offset or deduction. On any past due invoice, Seller may impose a monthly interest rate. If Buyer fails to make the required payments the Seller will impose the interest rate each month. If Buyer fails to make each payment when it is due, Seller reserves the right to withdraw credit and thereby suspend or cancel performance under any or all purchase orders or agreements in which Seller has extended credit to Buyer. In the event of default by Buyer, Seller shall be entitled to costs, fees, and expenses including but not limited to recovery of attorney fees, court costs and fees, and collections costs.

## Standard Terms and Conditions

---

**Delivery and Title:** The locations of shipment delivery will be made according to the Seller and Buyer agreement. Title and risk of loss pass to the Buyer upon delivery of the Product to the carrier. Seller's delivery dates are estimates only and Seller is not liable for delays in delivery or for failure to perform due to causes beyond the reasonable control of the Seller, nor shall the carrier be deemed an agent of the Seller. A delayed delivery of any part of an Order does not entitle Buyer to cancel other deliveries. KCA will comply with various federal, state and local laws and regulation concerning occupational health, safety and environment concerns. Buyer has full responsibility to comply with those laws and regulations during the installation and operation of the equipment.

**Acceptance / Returns:** Shipments will be deemed to have been accepted by Buyer upon delivery of the said shipments to Buyer unless rejected upon receipt. Buyer shall perform all inspections and tests. Buyer deems necessary as promptly as possible but in no event later than 7 days after receipt of Products, at which time Buyer will be deemed to have irrevocably accepted the Products. Any discrepancy in shipment quantity must be reported within 7 days after receipt of Products. Buyer may not return Products without a Return Material Authorization ("RMA") number. RMA's valid for 30 days from the date issued.

**Standard Warranty:** Buyer will honor Product warranties and indemnities authorized by the manufacturer, including any transferable. 90 days warranty is given for service parts from receipt date. Seller warrants to Buyer that Products purchased hereunder will conform to the applicable manufacturer's specifications for such products and that any value-added work performed by Seller on such Products will conform to applicable Buyer's specifications. If Seller breaches this warranty, Buyer's remedy is limited to (at Seller's election) (1) refund of Buyer's purchase price for such Product (without interest), (2) repair of such Products, or (3) replacement of such Products provided that such Products must be returned to Seller, along with acceptable evidence of purchase within 13 days from date of delivery, transportation charges prepaid. No warranty will apply if the Product has been subject to misuse, neglect, accident or modification.

**Limitation of Liabilities:** Buyer shall not be entitled to, and Seller shall not be liable for, loss of profit or revenue, promotional or manufacturing expenses, overheads expenses, business interruption cost, loss of data, removal or reinstallation costs, injury to reputation of buyer, punitive damages, loss of contractor orders or any indirect, special, incidental or consequential damages of any nature. Buyer's recovery from seller for any claim shall not exceed the purchase price paid for the affected products irrespective of the nature of the claim whether in contract, tort, warranty, or otherwise. Buyer will indemnify, defend and hold seller harmless from any claims based on (a) Seller's compliance with buyer's designs, specifications, or instructions, (b) Modification of any products by anyone other than Seller, or (c) use in combination with other products not supplied by seller.

## Standard Terms and Conditions

---

**Use of Products:** Unless otherwise specified. Products sold by Seller are not designed, intended or authorized for use in life support, life sustaining, nuclear, or other applications in which the failure of such Products could reasonably be expected to result in personal injury, loss of life or catastrophic property damage. If buyer uses or sales the Products for use in any such applications: (1) Buyer acknowledges that such use or sale is at Buyer's sole risk; (2) Buyer agrees that Seller and the manufacturer of the Products are not liable, in whole or in part, for any claim or damage arising from such use; and (3) Buyer agrees to indemnify, defend and hold Seller and the manufacturer of the Products harmless from and against any and all claims, damages, losses, costs, expenses and liabilities arising out of or in connection with such use or sale.

**Force Majeure:** Seller is not liable for failure to fulfill its obligations for any accepted Order or for delays in delivery due to causes beyond Seller's reasonable control including, but not limited to, acts of God, natural or artificial disaster, riot, war, strike, delay by carrier, shortage of Product, acts or omissions of other parties, acts or omissions of civil or military authority, Government priorities, changes in law, material shortages, fire, strikes, floods, epidemics, quarantine restrictions, acts of terrorism, delays in transportation or inability to obtain labor, materials or products through its regular sources, which shall be considered as an event of force majeure excusing Seller from performance and barring remedies for non-performance. In an event of force majeure condition, the Seller's time for performance shall be extended for a period equal to the time lost as a consequence of the force majeure condition without subjecting Seller to any liability or penalty. Seller may, at its option, cancel the remaining performance, without any liability or penalty, by giving notice of such cancellation to the Buyer.

**General:** (a) Seller will comply with state law for any dispute from buyer. (b) Buyer may not assign this Agreement without the prior written consent of Seller. Seller or its affiliates may perform the obligations under this Agreement. This Agreement is binding on successor and assigns, (c) Products, including software or other intellectual property, are subject to any applicable rights of third parties, such as patents, copyrights and/or user licenses.

## **Appendix**

*(If your machine is standard, this page is blank.)*

## Contact Information

---

Kaishan Compressor, LLC.,  
Add.: 15445 Industrial Park Dr., Loxley, AL, Post code: 36551  
Office number: +1 251-202-0577  
[www.KaishanUSA.com](http://www.KaishanUSA.com)