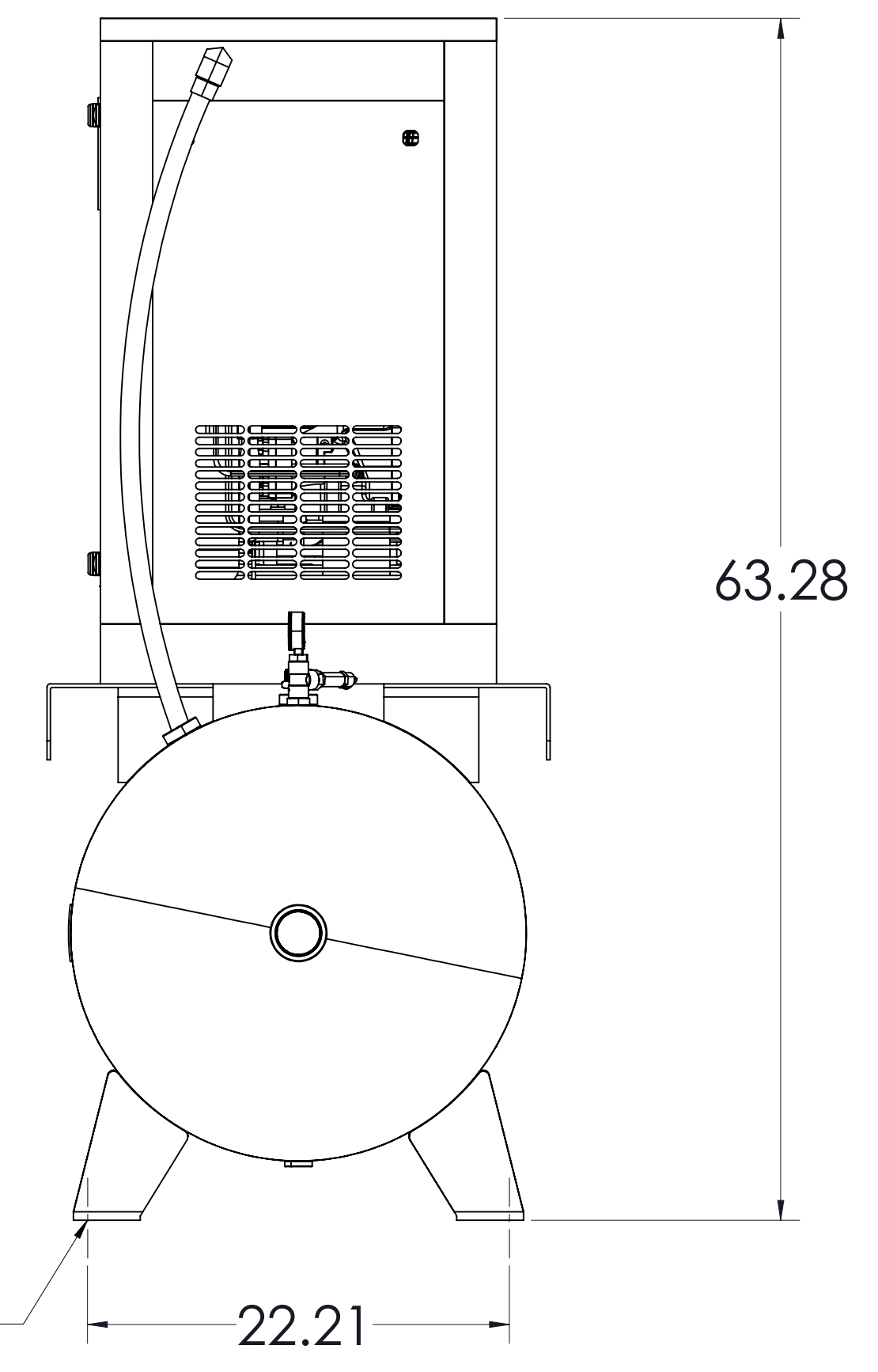
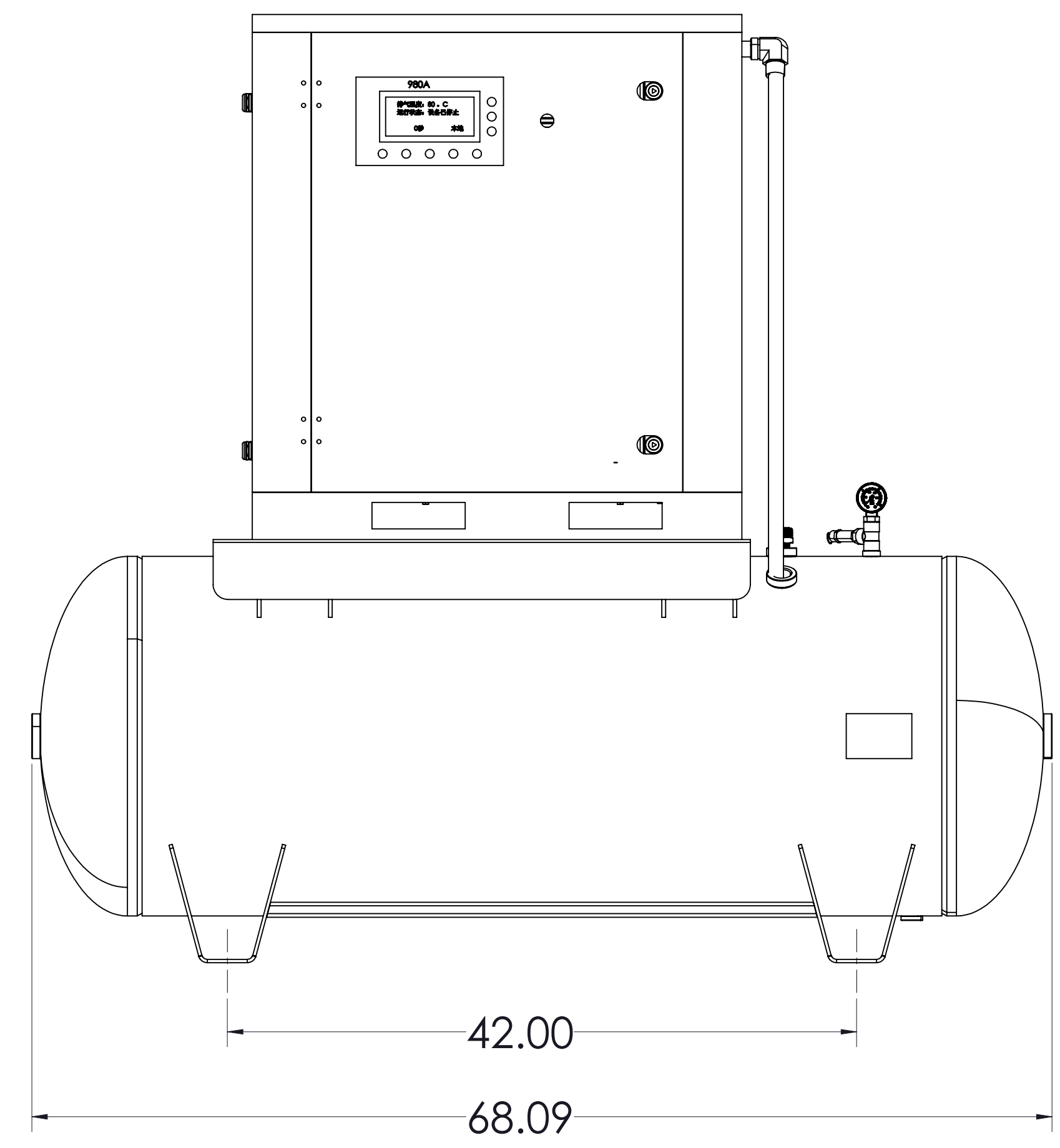
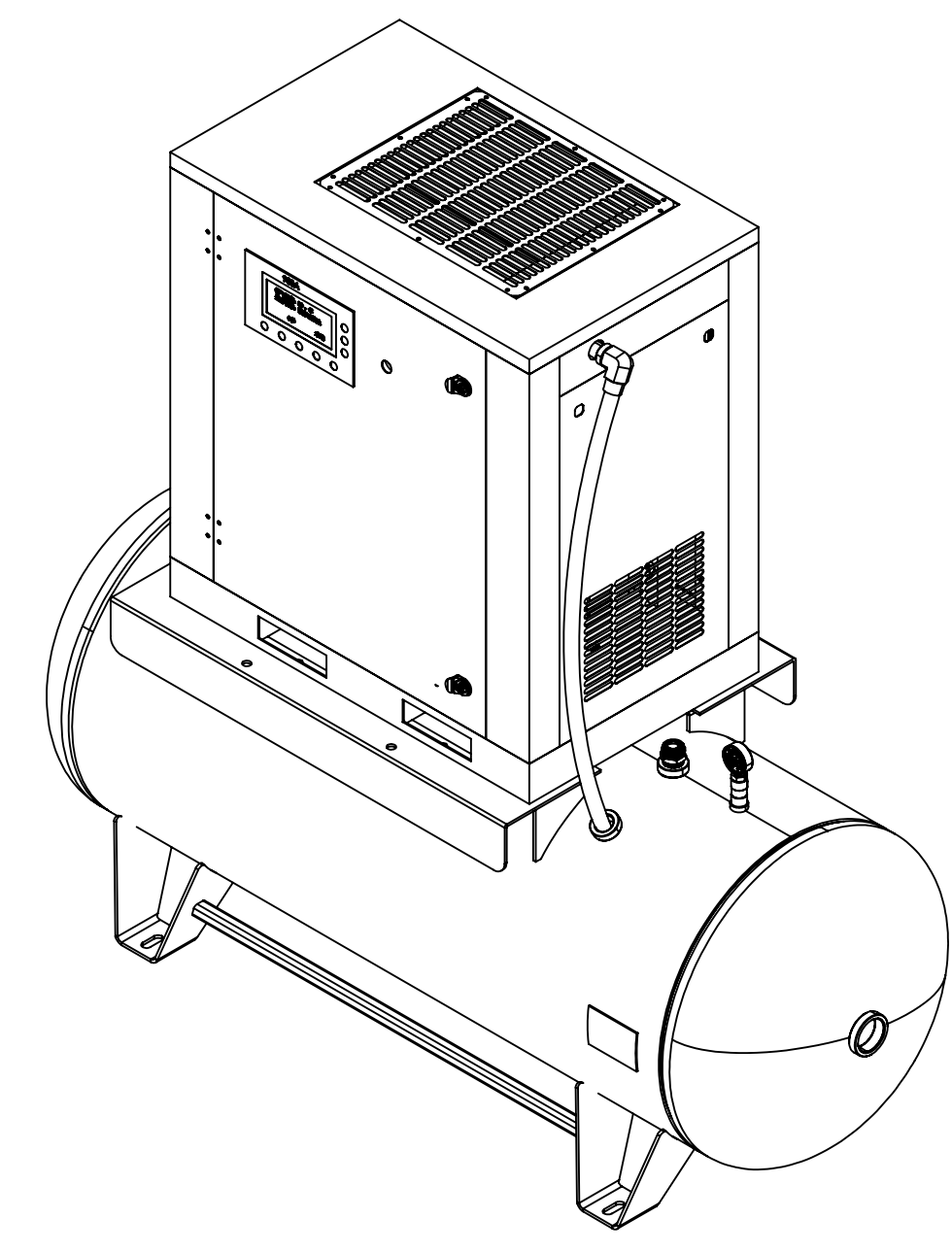
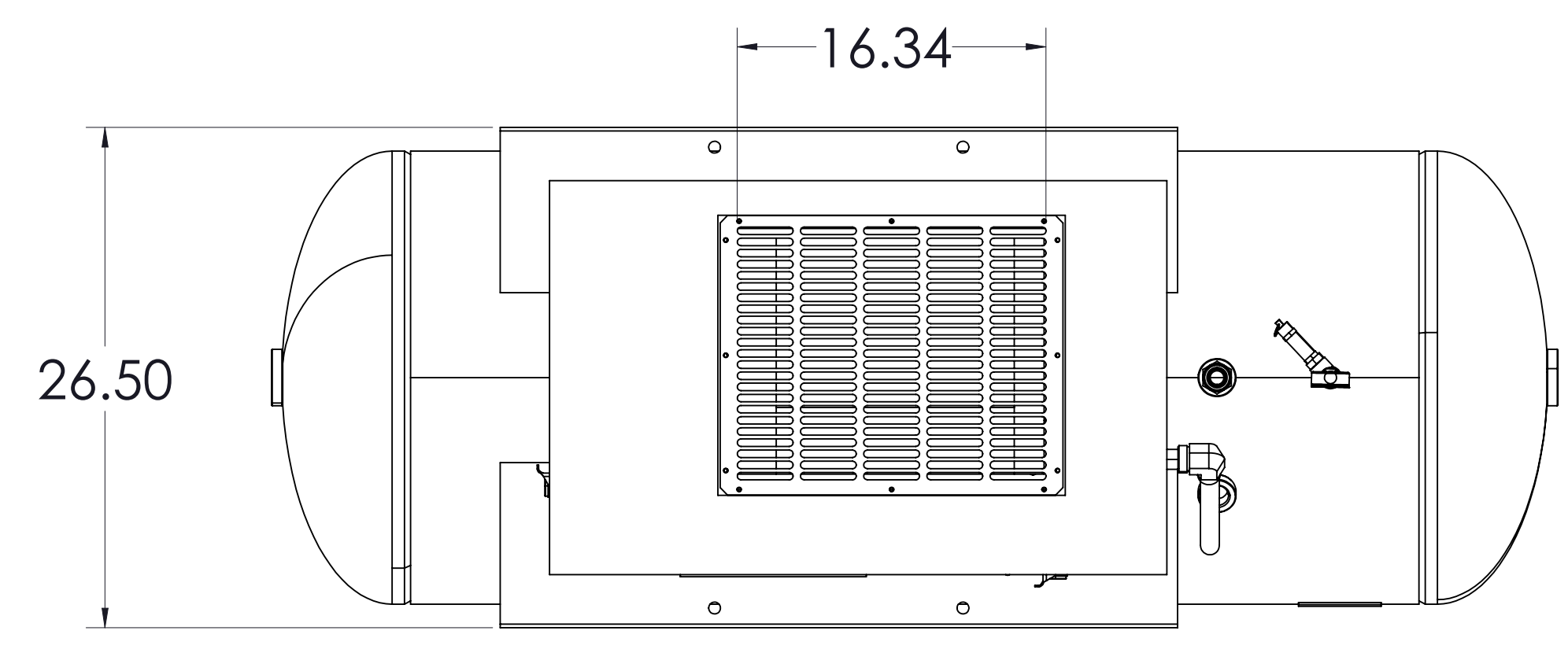


8 7 6 5 4 3 2 1

ZONE		REV.	DESCRIPTION	DATE	APVD



8 7 6 5 4 3 2 1

	UNLESS OTHERWISE SPECIFIED:	NAME	DATE	<b>Kaishan Compressor USA, LLC</b>
	DIMENSIONS ARE IN IN TOLERANCES: SURFACE FINISH 3.2 ANGULAR: MACH 5 BEND ±.75 TWO PLACE DECIMAL ±0.25 THREE PLACE DECIMAL ±0.130 INTERPRET GEOMETRIC TOL. PER ASME Y14.5 MATERIAL	DRAWN	AKF	
PROPRIETARY AND CONFIDENTIAL THE INFORMATION CONTAINED IN THIS DRAWING IS THE SOLE PROPERTY OF KAISHAN COMPRESSOR. ANY REPRODUCTION IN PART OR AS A WHOLE WITHOUT THE WRITTEN PERMISSION OF KAISHAN COMPRESSOR IS PROHIBITED.	FINISH	CHECKED		TITLE:
1ST USED ON:	3RD ANGLE PROJECTION:	APPR.		<b>KRSBT5/7.5 NO DRYER</b>
				SIZE DWG. NO. REV <b>D 180001-008 B</b>
				SCALE: 1:20 WGT: 1125.87kg SHEET 1 OF 1