



Illustrated Parts List

Model Series

12S400

TYPE NUMBERS

0001, 0002, 0004, 0006, 0007, 0008, 0020, 0022, 0023, 0026, 0028, 0033, 0035, 0036, 0037, 0049,
0050, 0060, 0070, 0072, 0074, 0075, 0111, 0112, 0118, 0119, 0121, 0123, 0125, 0126, 0127, 0128,
0129, 0130, 0131, 0132, 0133, 0134, 0137, 0137, 0140, 0141, 0142, 0143, 0221, 0223, 0523, 0526,
0535, 0536, 0549, 0560, 2127, 2129, 2133, 2135, 2136, 2137, 2138, 2139, 2140, 2142, 2144, 2145,
2146, 2147, 2148, 2164, 2172, 2176, 2180, 2181, 2184, 2185, 2186.

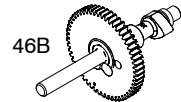
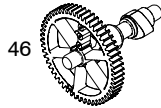
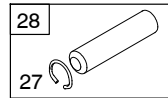
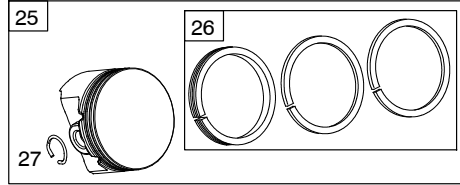
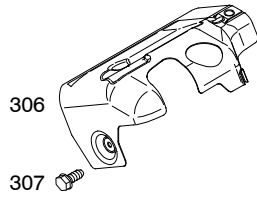
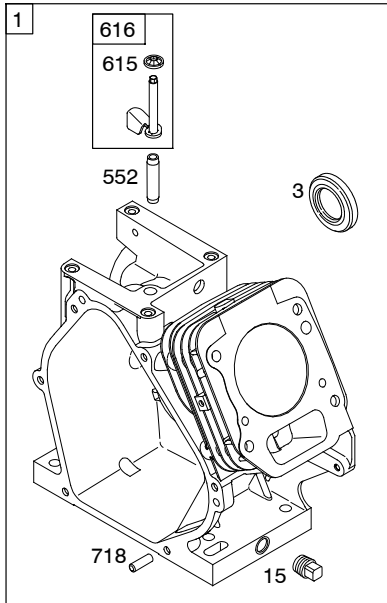
Not for
Reproduction



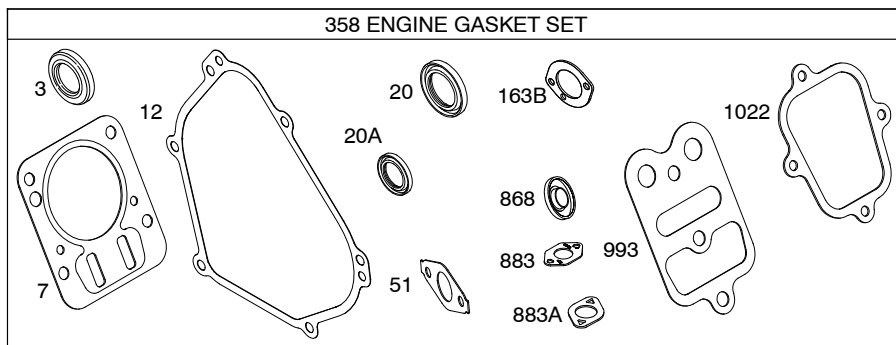
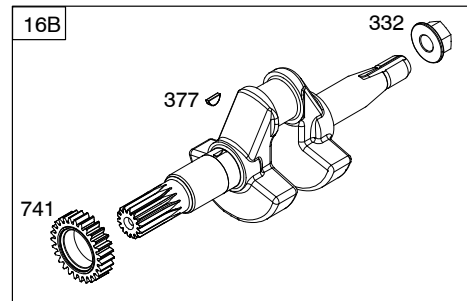
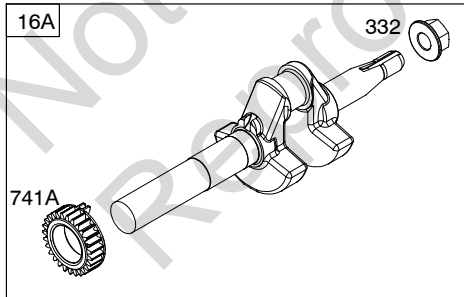
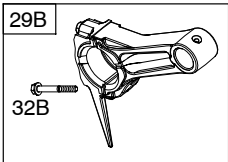
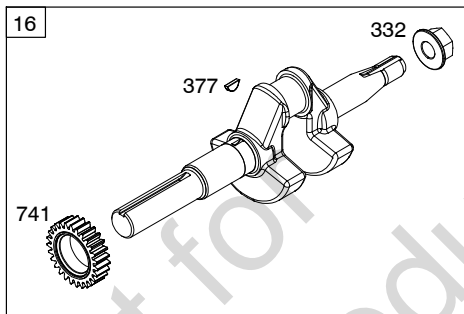
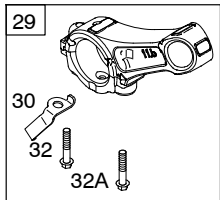
PRINTED IN U.S.A.

COPYRIGHT by BRIGGS & STRATTON CORPORATION
All rights reserved. No part of this material may be reproduced or transmitted,
in any form or by any means, electronic or mechanical, including photocopying,
recording or by any information storage and retrieval system, without permission
in writing from Briggs & Stratton Corporation.

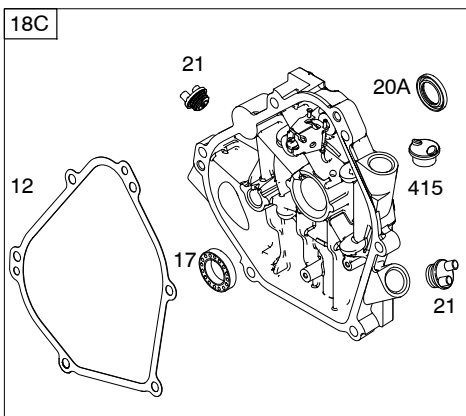
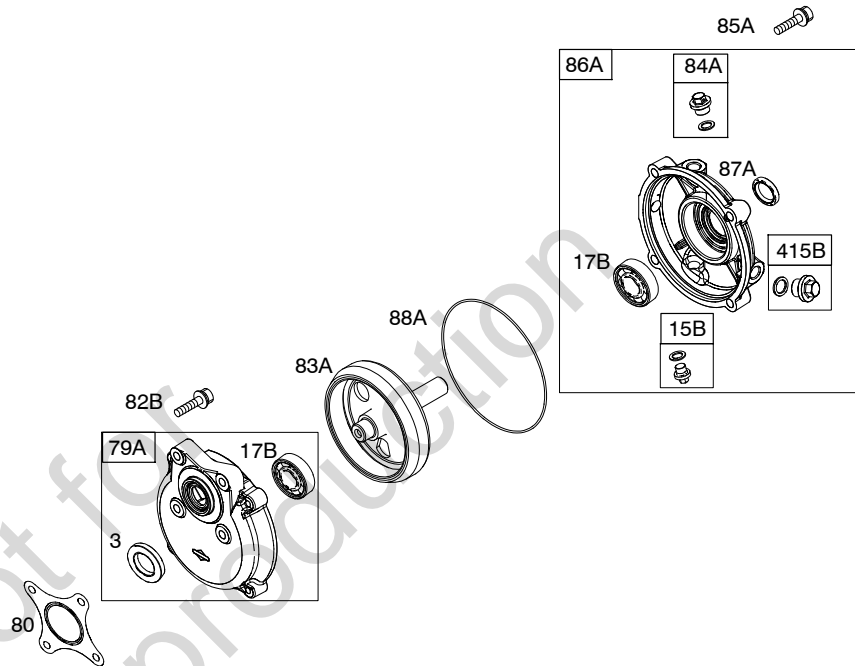
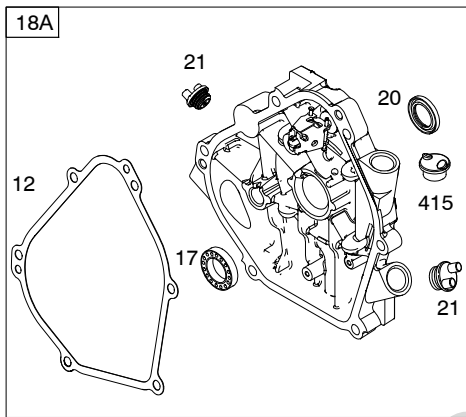
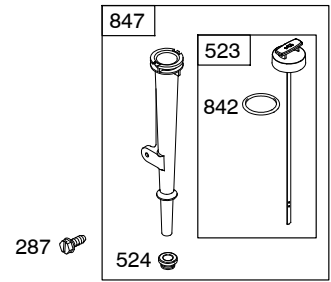
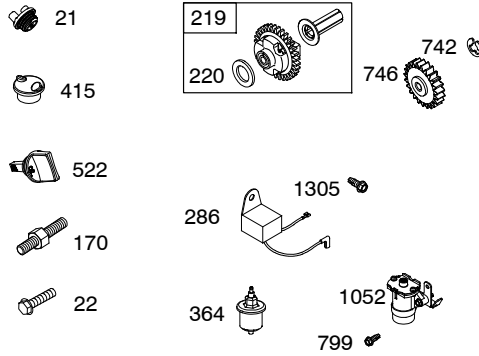
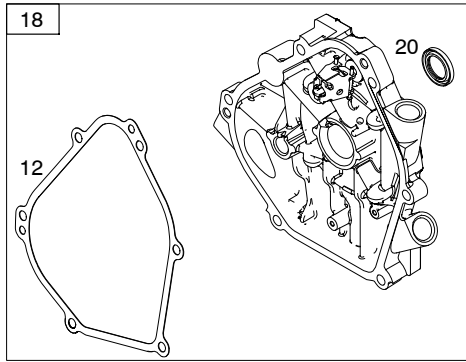
12S400



- 1036 EMISSIONS LABEL
- 1058 OPERATOR'S MANUAL
- 1319 WARNING LABEL
- 1319A WARNING LABEL
- 1330 REPAIR MANUAL

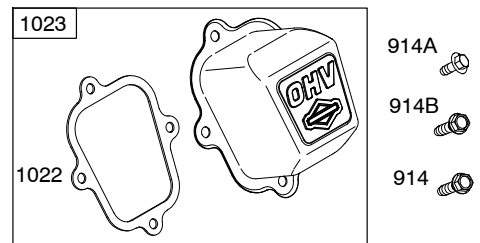
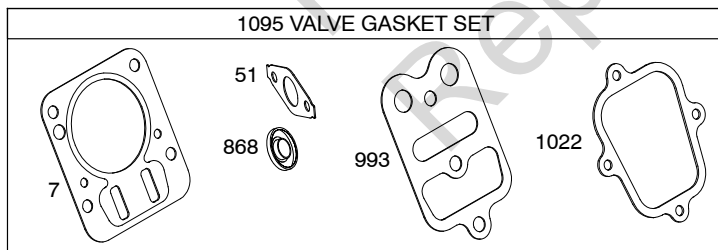
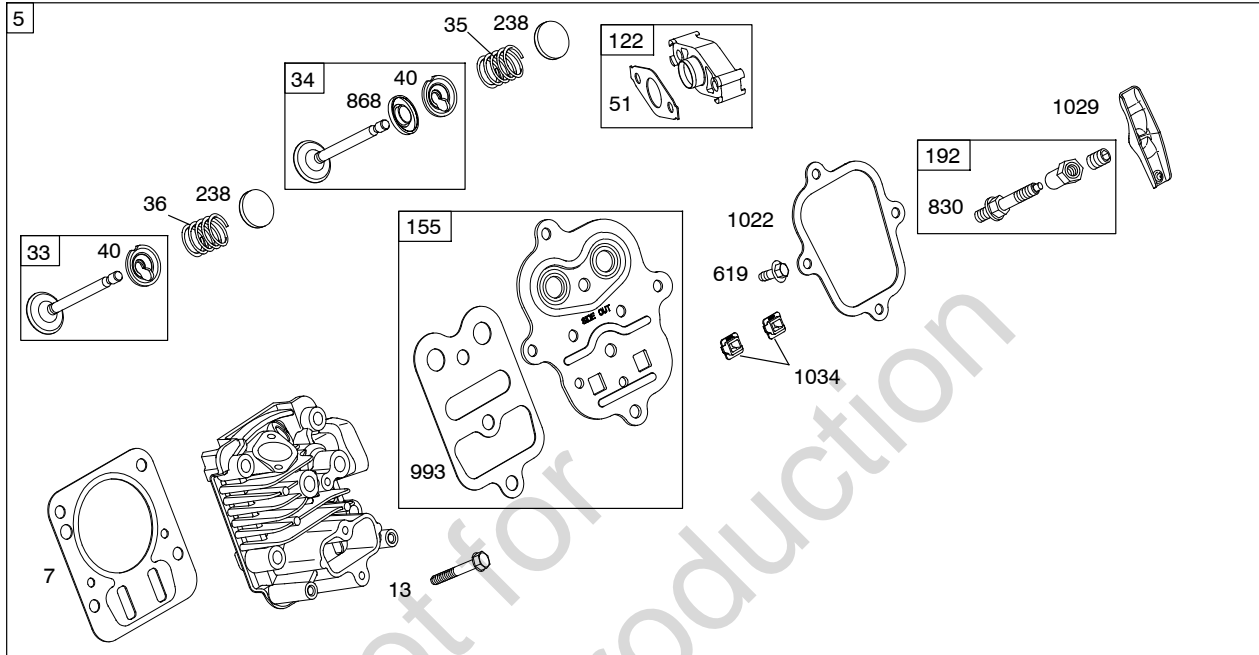
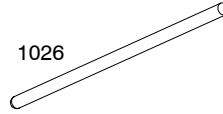
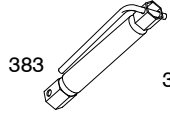
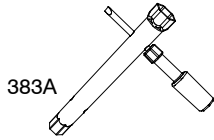


Illustrations cover a range of engines. Parts shown without corresponding text may not be used on your specific engine.
4056-2 Assemblies include all parts shown in frames. 05/13/2016

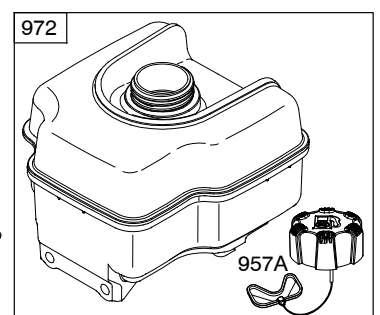
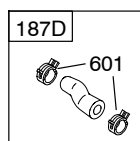
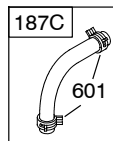
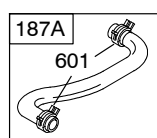
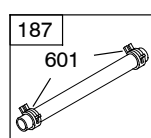
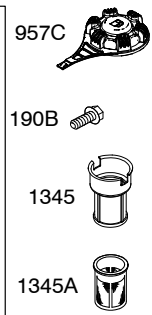
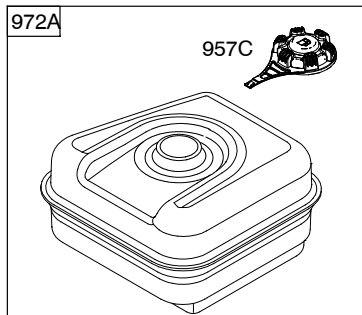
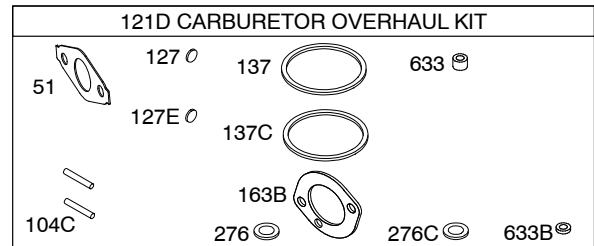
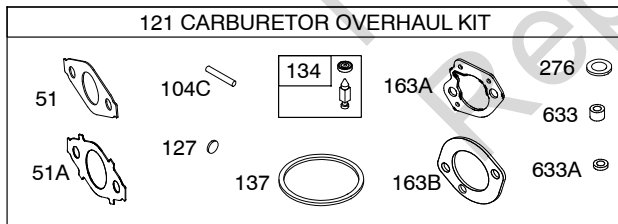
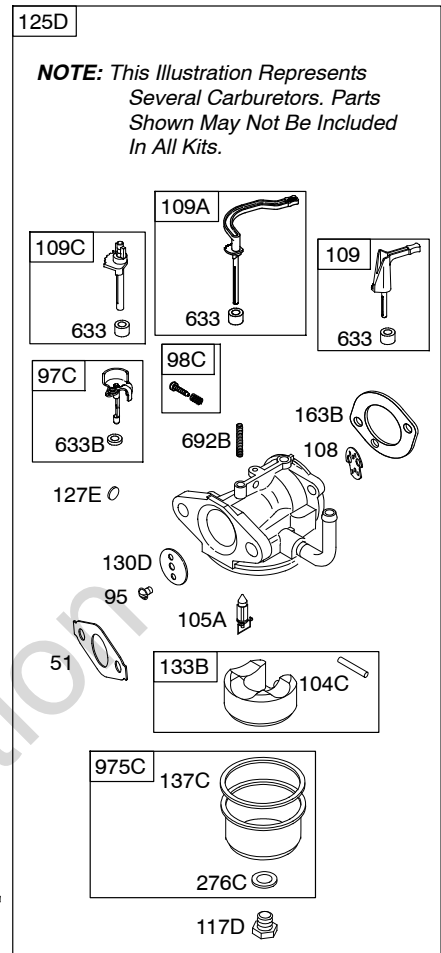
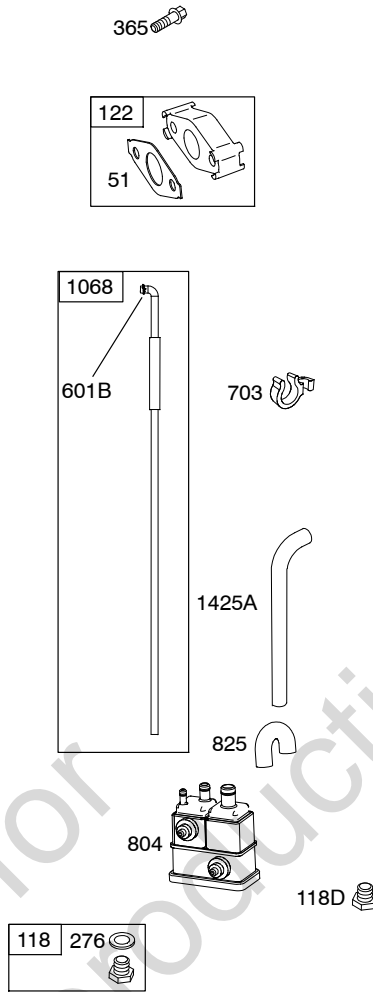
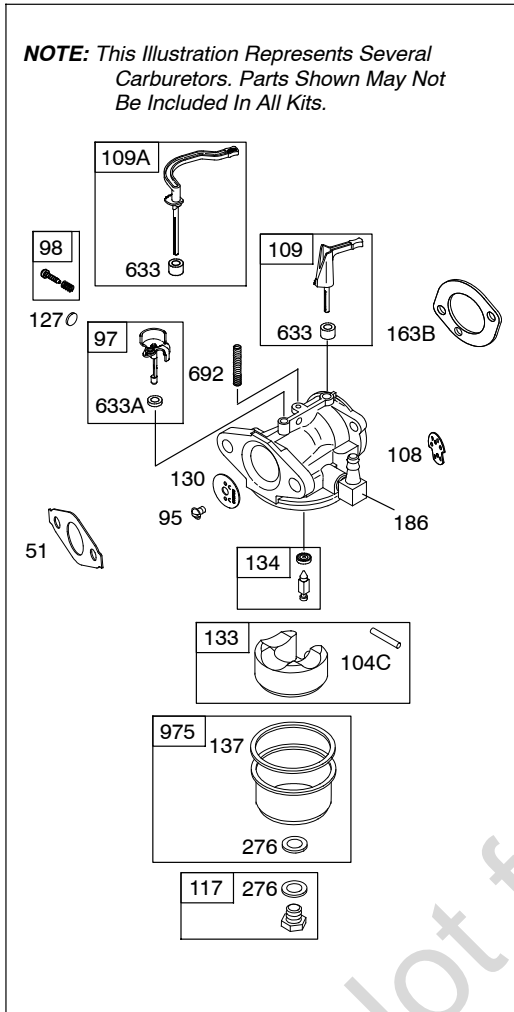


Illustrations cover a range of engines. Parts shown without corresponding text may not be used on your specific engine.
4056-3 Assemblies include all parts shown in frames. **05/13/2016**

12S400

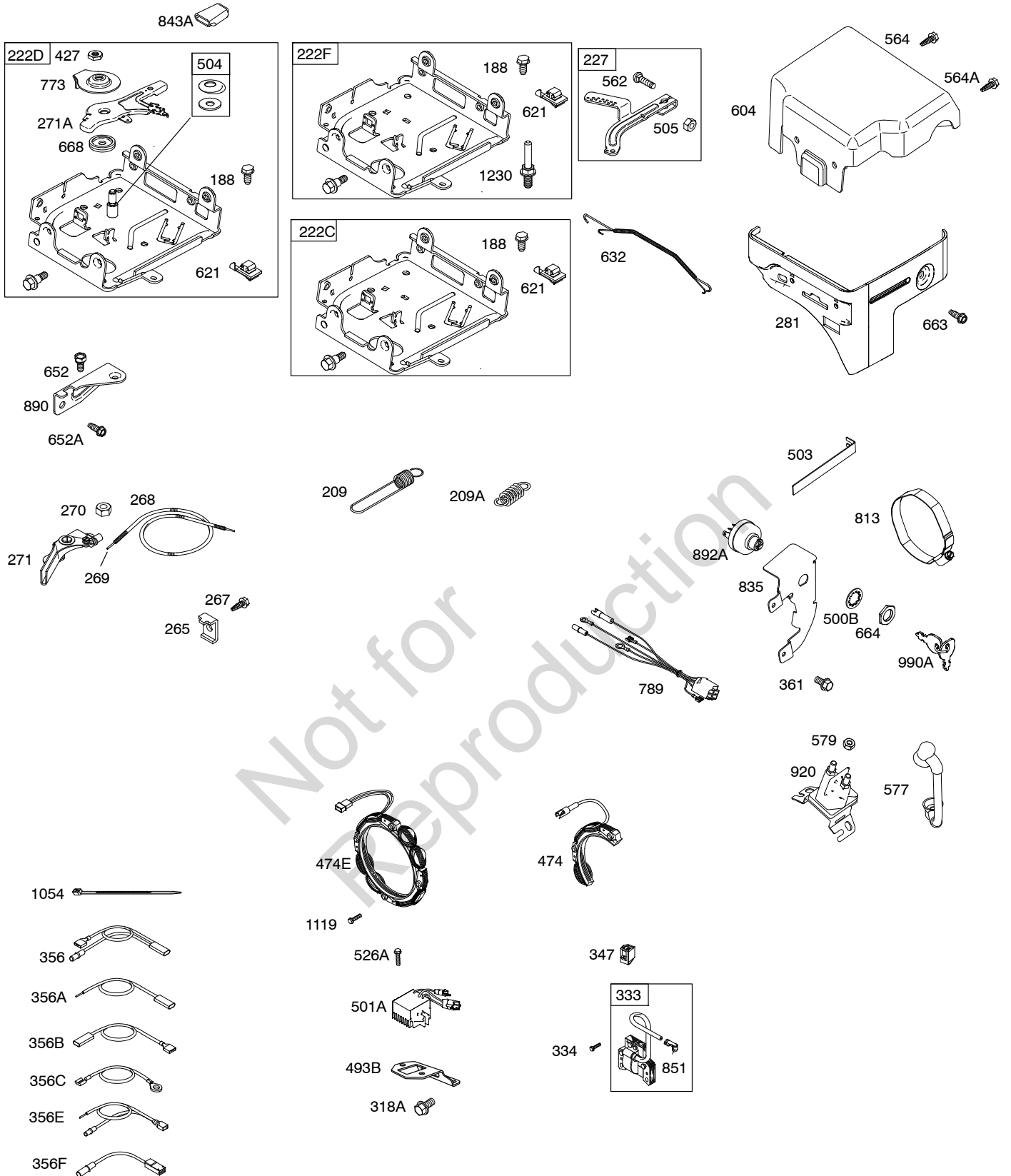


Illustrations cover a range of engines. Parts shown without corresponding text may not be used on your specific engine.
 4056-4 Assemblies include all parts shown in frames. 05/13/2016

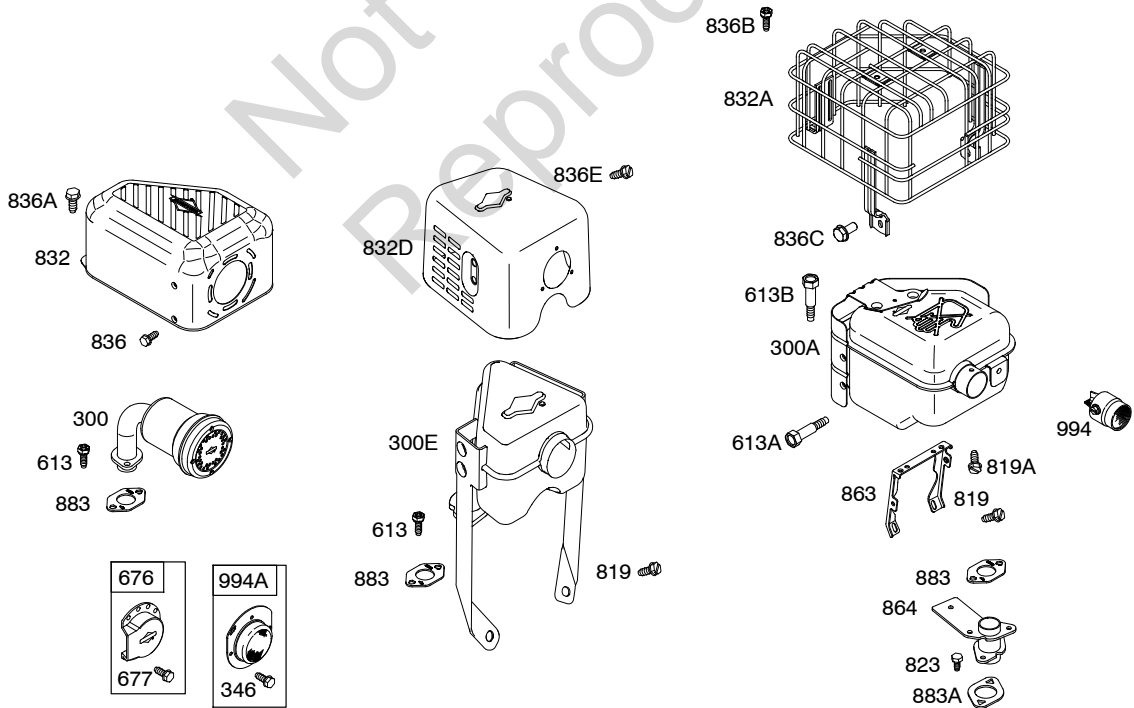
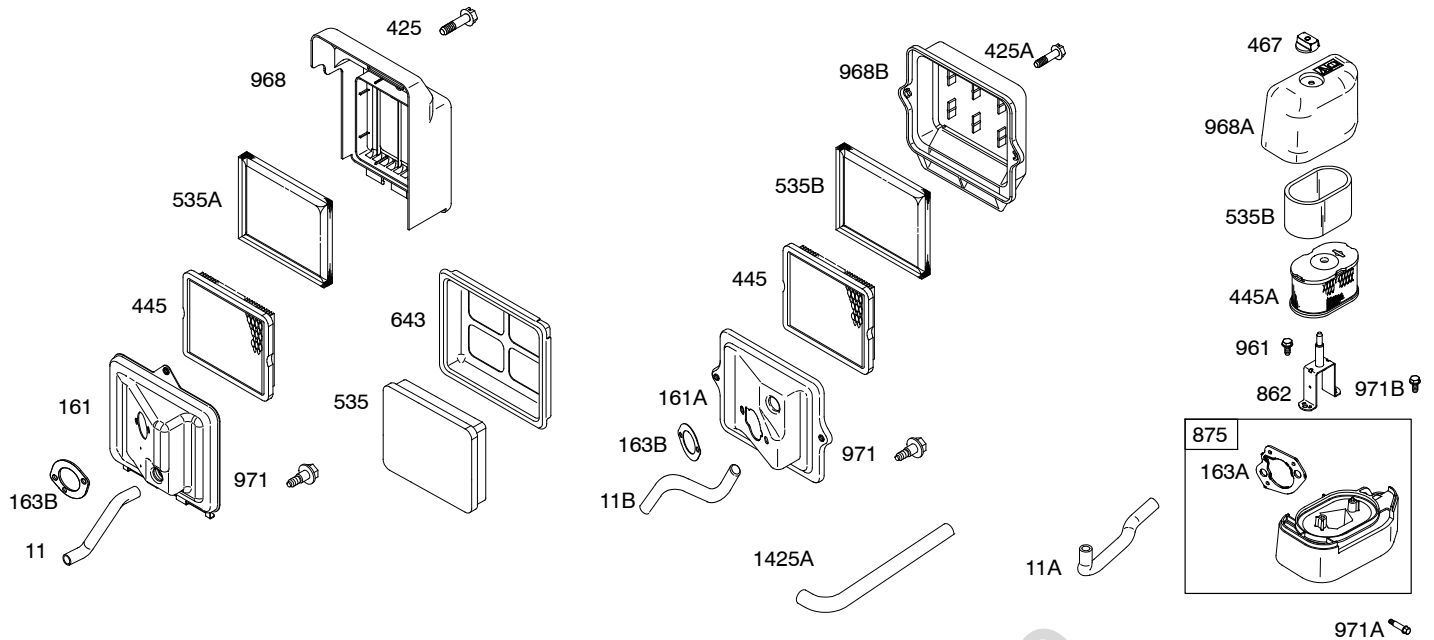


Illustrations cover a range of engines. Parts shown without corresponding text may not be used on your specific engine.
4056-5 Assemblies include all parts shown in frames. **05/13/2016**

12S400

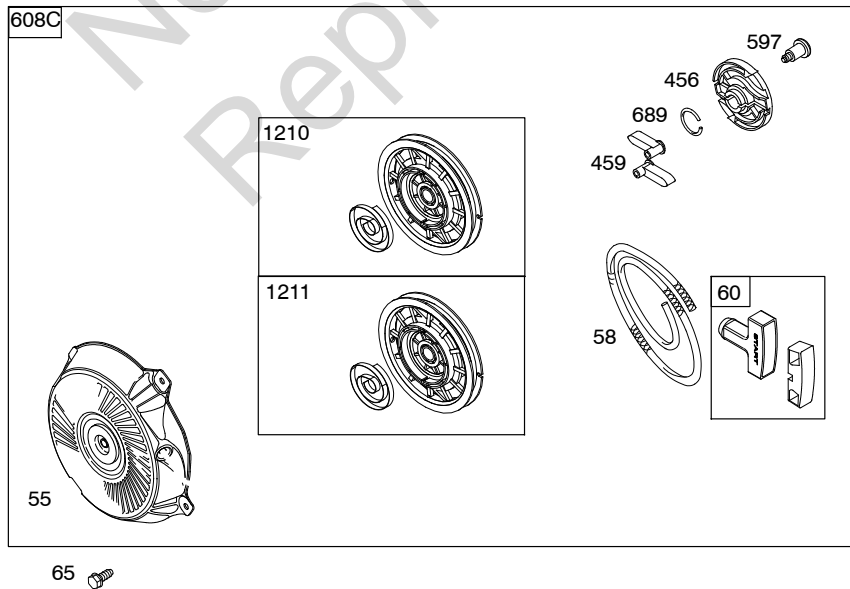
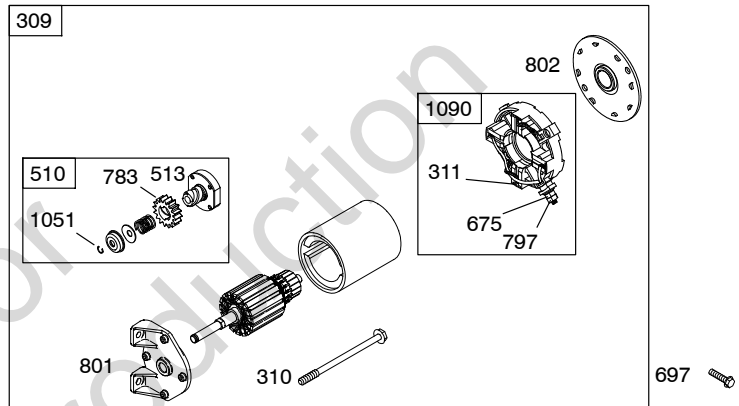
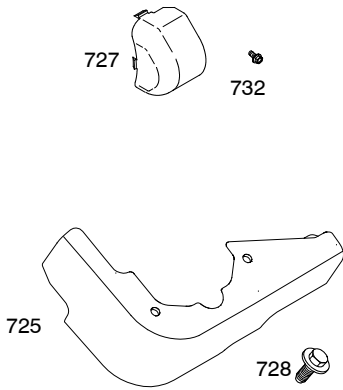
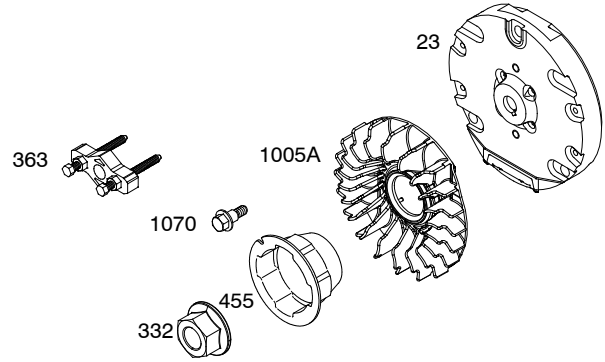
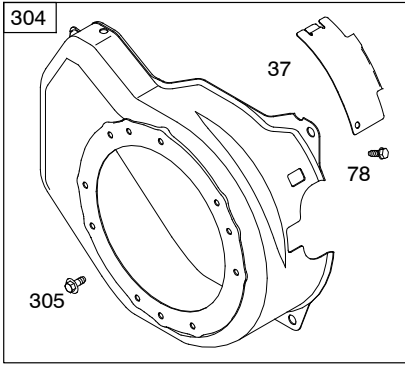


Illustrations cover a range of engines. Parts shown without corresponding text may not be used on your specific engine.
 4056-6 Assemblies include all parts shown in frames. 05/13/2016



Illustrations cover a range of engines. Parts shown without corresponding text may not be used on your specific engine.
 4056-7 Assemblies include all parts shown in frames. 05/13/2016

12S400



Illustrations cover a range of engines. Parts shown without corresponding text may not be used on your specific engine.
 4056-8 Assemblies include all parts shown in frames. 05/13/2016

REF. NO.	PART NO.	DESCRIPTION	REF. NO.	PART NO.	DESCRIPTION	REF. NO.	PART NO.	DESCRIPTION
1	699505	Cylinder Assembly		797072	Crankshaft (Used with Mating Metal Gear). (Used Before Code Date 13050600). Used on Type No(s). 0002, 0036, 0050, 0125, 0128, 0129, 0134, 0536, 2135, 2137, 2146, 2147.	16A	594991	Crankshaft (Used with Mating Nylon Gear). (Used After Code Date 13050500). Used on Type No(s). 0028, 0119, 0137, 2136, 2140.
3	299819S	Seal- Oil (Magneto Side)		797074	Crankshaft (Used with Mating Metal Gear). (Used Before Code Date 13050600). Used on Type No(s). 0022.			----- Note ----- 593079 Crankshaft (Used with Mating Nylon Gear). (Used After Code Date 13050500). Used on Type No(s). 0001, 0002, 0036, 0050, 0072, 0125, 0128, 0129, 0134, 0536, 2137, 2146, 2147.
5	797439	Head- Cylinder (Metric)		797073	Crankshaft (Used with Mating Metal Gear). (Used Before Code Date 13050600). Used on Type No(s). 0033.			594996 Crankshaft (Used with Mating Nylon Gear). (Used After Code Date 13050500). Used on Type No(s). 0022.
7	698210	Gasket- Cylinder Head		797075	Crankshaft (Used with Mating Metal Gear). (Used Before Code Date 13050600). Used on Type No(s). 0060, 0111, 0112, 0121, 0123, 0133, 0140, 0141, 0221, 0223, 0560, 2129, 2133, 2148, 2164, 2181, 2184.			593495 Crankshaft (Used with Mating Nylon Gear). (Used After Code Date 13050500). Used on Type No(s). 0004, 0020, 0023, 0127, 2127, 2138, 2139.
11	692600	Tube- Breather (Flat Panel Air Cleaner)		797078	Crankshaft (Used with Mating Metal Gear). (Used Before Code Date 13050600). Used on Type No(s). 0035, 0535.			594992 Crankshaft (Used with Mating Nylon Gear). (Used After Code Date 13050500). Used on Type No(s). 0033.
11A	693647	Tube- Breather (High Mount Air Cleaner)		797071	Crankshaft (Used with Mating Metal Gear). Used on Type No(s). 0026, 0142, 0526.			
11B	790632	Tube- Breather (Ultra Low Air Cleaner)		592129	Crankshaft (Used with Mating Metal Gear). (Used Before Code Date 13050600). Used on Type No(s). 0143.			
12	699485	Gasket- Crankcase						
13	699482	Screw (Cylinder Head)						
15	691686	Plug- Oil Drain (Square Head)						
15A	691682	Plug- Oil Drain (Flush)						
15B	792750	Plug- Oil Drain						
16	797070	Crankshaft (Used with Mating Metal Gear). (Used Before Code Date 13050600). Used on Type No(s). 0004, 0020, 0023, 0118, 0127, 0523, 2127, 2138, 2139. 797070 Crankshaft (Used with Mating Metal Gear). (Used After Code Date 15030200). Used on Type No(s). 0070. ----- Note ----- 797076 Crankshaft (Used with Mating Metal Gear). (Used Before Code Date 13050600). Used on Type No(s). 0028, 0119, 0137, 2136, 2140.						

Illustrations cover a range of engines. Parts shown without corresponding text may not be used on your specific engine.
4056-9 Assemblies include all parts shown in frames. 05/13/2016

12S400

REF. NO.	PART NO.	DESCRIPTION	REF. NO.	PART NO.	DESCRIPTION	REF. NO.	PART NO.	DESCRIPTION
	593497	Crankshaft (Used with Mating Nylon Gear). (Used After Code Date 13050500). Used on Type No(s). 0006, 0007, 0060, 0111, 0112, 0121, 0123, 0133, 0140, 0141, 0221, 0223, 2133.	18	699804	Cover- Crankcase Used on Type No(s). 0004, 0008, 0022, 0023, 0026, 0028, 0037, 0049, 0060, 0074, 0075, 0118, 0119, 0126, 0127, 0130, 0131, 0132, 0133, 0135, 0137, 0523, 0526, 0549, 0560, 2127, 2133, 2136, 2140, 2142, 2144, 2145, 2172, 2176, 2180, 2185, 2186.	23	699488	Flywheel Used on Type No(s). 0002, 0004, 0006, 0007, 0008, 0020, 0022, 0023, 0026, 0028, 0033, 0035, 0036, 0037, 0049, 0060, 0070, 0072, 0074, 0075, 0111, 0118, 0119, 0126, 0127, 0128, 0130, 0131, 0132, 0133, 0135, 0137, 0140, 0142, 0143, 0223, 0523, 0526, 0535, 0536, 0549, 0560, 2127, 2133, 2135, 2136, 2137, 2138, 2140, 2142, 2144, 2145, 2146, 2147, 2148, 2172, 2176, 2180, 2184, 2185, 2186.
	594993	Crankshaft (Used with Mating Nylon Gear). (Used After Code Date 13050500). Used on Type No(s). 0035, 0535.	18A	699672	Cover- Crankcase Used on Type No(s). 0001, 0002, 0006, 0007, 0033, 0035, 0036, 0050, 0072, 0111, 0112, 0121, 0123, 0125, 0128, 0129, 0134, 0140, 0141, 0142, 0221, 0223, 0535, 0536, 2129, 2135, 2137, 2139, 2146, 2147, 2148, 2164, 2181, 2184.			----- Note ----- 699514 Flywheel Used on Type No(s). 0001, 0050, 0112, 0121, 0123, 0125, 0129, 0141, 0221, 2129, 2139, 2164, 2181.
	594994	Crankshaft (Used with Mating Nylon Gear). (Used After Code Date 13050500). Used on Type No(s). 0026, 0142, 0526.			----- Note ----- 699696 Cover- Crankcase Used on Type No(s). 0020, 2138.			790328 Flywheel Used on Type No(s). 0134.
	594995	Crankshaft (Used with Mating Nylon Gear). (Used After Code Date 13050500). Used on Type No(s). 0143.	18C	699677	Cover- Crankcase Used on Type No(s). 0070.	24	796335	Key- Flywheel
16B	795927	Crankshaft (6:1 Gear Reduction) (Used with Mating Metal Gear) Used on Type No(s). 0008, 0037, 0049, 0074, 0075, 0126, 0130, 0131, 0132, 0133, 0135.	20	692550	Seal- Oil (PTO Side) ----- Note ----- 694171 Seal- Oil (PTO Side) Used on Type No(s). 0033.	25	795429	Piston Assembly (Standard) ----- Note ----- 799064 Piston Assembly (.020" Oversize)
17	798538	Bearing- Ball				26	791969	Ring Set (Standard) ----- Note ----- 791324 Ring Set (.020" Oversize)
17A	690824	Bearing- Ball	20A	691952	Seal- Oil (PTO Side)	27	691866	Lock- Piston Pin
17B	99158	Bearing- Ball	21	281658S	Cap- Oil Fill	28	499423	Pin- Piston
			22	799318	Screw (Crankcase Cover/Sump)	29	792247	Rod- Connecting (.020" Undersize)
						29B	798813	Rod- Connecting
						30	791584	Dipper- Connecting Rod
						32	691664	Screw (Connecting Rod)
						32A	695759	Screw

Illustrations cover a range of engines. Parts shown without corresponding text may not be used on your specific engine.
4056- 10 Assemblies include all parts shown in frames. 05/13/2016

12S400

REF. NO.	PART NO.	DESCRIPTION	REF. NO.	PART NO.	DESCRIPTION	REF. NO.	PART NO.	DESCRIPTION
		(Connecting Rod)			Reduction Cover	118	497315	Jet- Main
32B	797437	Screw	95	691636	Screw			(High Altitude)
		(Connecting Rod)			(Throttle Valve)			(Used Before Code
33	499642	Valve- Exhaust	97	690024	Shaft- Throttle			Date 10040100).
34	795443	Valve- Intake	97C	797628	Shaft- Throttle			----- Note -----
35	691304	Spring- Valve	98	398185	Kit- Idle Speed			695042 Jet- Main
		(Intake)	98C	797156	Kit- Idle Speed			(High Altitude)
36	691304	Spring- Valve	104C	797622	Pin- Float Hinge			(Used Before Code
		(Exhaust)	105A	797139	Valve- Float Needle			Date 10100100).
37	699661	Guard- Flywheel	108	692567	Valve- Choke			Used on Type No(s).
40	692194	Retainer- Valve	109	690023	Shaft- Choke			0526.
45	690977	Tappet- Valve	109A	693628	Shaft- Choke	118D	797574	Jet- Main
46	693404	Camshaft	109C	790624	Shaft- Choke			(High Altitude)
46A	696813	Camshaft	117	690048	Jet- Main			(Used After Code Date
46B	694831	Camshaft			(Standard)			1123100).
		Used on Type No(s).			(Used Before Code			----- Note -----
		0070.			Date 10040100).			798651 Jet- Main
51	692555	Gasket- Intake			----- Note -----			(High Altitude)
51A	791718	Gasket- Intake			691428 Jet- Main			(Used After Code Date
55		Housing- Rewind			(Standard)			10033100 and Before
		Starter			(Used Before Code			Code Date 12010100).
		(Used After Code Date			Date 10100100).			797574 Jet- Main
		1123100).			Used on Type No(s).			(High Altitude)
		(Not Serviced			0526.			(Used After Code Date
		Separate. Service With	117D	591298	Jet- Main			1123100).
		Rewind Assembly.)			(Standard)			Used on Type No(s).
		----- Note -----			(Used After Code Date			0526.
		791848 Housing-			1123100).			798651 Jet- Main
		Rewind			----- Note -----			(High Altitude)
		(Used Before Code			798652 Jet- Main			(Used After Code Date
		Date 12010100).			(Standard)			10093000 and Before
58	693389	Rope- Starter			(Used After Code Date			Code Date 12010100).
		(Used After Code Date			10033100 and Before			Used on Type No(s).
		08030200).			Code Date 12010100).			0526.
		----- Note -----			591298 Jet- Main			590440 Jet- Main
		66574 Rope- Starter			(Standard)			(High Altitude)
		(Used Before Code			(Used After Code Date			Used on Type No(s).
		Date 08030300).			1123100).			2137, 2139, 2140,
60	490652	Grip- Starter Rope			Used on Type No(s).			2142, 2148, 2176,
65	699228	Screw			0526.			2186.
		(Rewind Starter)			798652 Jet- Main	121	792006	Kit- Carburetor
		(Metric)			(Standard)			Overhaul
78	699205	Screw			(Used After Code Date	121D	797634	Kit- Carburetor
		(Flywheel Guard)			10093000 and Before			Overhaul
79A	792746	Case- Gear Reduction			Code Date 12010100).			
80	792755	Gasket- Gear Case			Used on Type No(s).	122	795643	Spacer- Carburetor
82B	792753	Screw			0526.	125D	591299	Carburetor
		(Gear Reduction Case)			590906 Jet- Main			----- Note -----
83A	792756	Shaft- Auxiliary Drive			(Standard)			591309 Carburetor
84A	792759	Plug- Breather			Used on Type No(s).			Used on Type No(s).
85A	690711	Screw			0001, 0006, 0037,			0006, 0008, 0037,
		(Gear Cover to Gear			2137, 2138, 2139,			2137, 2138, 2139,
		Reduction)			2140, 2142, 2148,			2140, 2142, 2148,
					2176, 2186.			2176, 2186.
86A	795647	Cover- Gear						799906 Carburetor
87A	792752	Seal- Gear Reduction						Used on Type No(s).
88A	792760	Gasket- Gear						0125.

Illustrations cover a range of engines. Parts shown without corresponding text may not be used on your specific engine.
 4056- 11 Assemblies include all parts shown in frames. 05/13/2016

12S400

REF. NO.	PART NO.	DESCRIPTION	REF. NO.	PART NO.	DESCRIPTION	REF. NO.	PART NO.	DESCRIPTION
127	691739	Plug- Welch		799855	Base- Air Cleaner	209	692571	Spring- Governor Used on Type No(s).
127E	797633	Plug- Welch			(Ultra Low Air Cleaner)			0002, 0007, 0008,
130	691181	Valve- Throttle			Used on Type No(s).			0020, 0022, 0028,
130D	797630	Valve- Throttle			0142.			0036, 0037, 0049,
133	398187	Float- Carburetor	163A	792870	Gasket- Air Cleaner			0050, 0074, 0075,
133B	797136	Float- Carburetor			(High Mount)			0111, 0112, 0119,
134	398188	Kit- Needle/Seat	163B	696024	Gasket- Air Cleaner			0121, 0123, 0125,
137	693981	Gasket- Float Bowl			(Flat Panel Air Cleaner)			0126, 0128, 0129,
137C	797625	Gasket- Float Bowl	170	699818	Stud			0130, 0131, 0132,
155	797442	Plate- Cylinder Head (Metric)			(Crankcase Cover)			0133, 0134, 0135,
		(Used After Code Date 09061700).	186	692317	Connector- Hose			0136, 0137, 0138,
		----- Note -----	187	791766	Line- Fuel			0139, 0140, 0141,
		698214 Plate- Cylinder Head			(Cut to Required Length)			0143, 0221, 0223,
		(SAE)	187A	791867	Line- Fuel			0536, 0549, 2129,
		(Used Before Code Date 09061800).			(Molded)			2135, 2136, 2137,
161	795567	Base- Air Cleaner (Metal)	187C	791866	Line- Fuel			2138, 2139, 2140,
		(Flat Panel Air Cleaner)			(Molded)			2142, 2144, 2145,
		----- Note -----	187D	795046	Line- Fuel			2146, 2164, 2172,
		699207 Base- Air Cleaner			(Molded)			2176, 2180, 2181,
		(Metal)	188	699479	Screw			2184, 2185, 2186.
		(Flat Panel Air Cleaner)			(Control Bracket)			----- Note -----
		Used on Type No(s).	190	699220	Screw			693206 Spring- Governor
		0002, 0004, 0007,			(Fuel Tank)			Used on Type No(s).
		0023, 0026, 0033,	190B	795047	Screw			0001, 0004, 0006,
		0035, 0036, 0049,			(Fuel Tank)			0023, 0026, 0033,
		0050, 0060, 0070,	192	797440	Adjuster- Rocker Arm			0035, 0060, 0070,
		0072, 0126, 0127,			(Metric)			0072, 0118, 0127,
		0128, 0129, 0130,			(Used After Code Date 09061700).			0133, 0142, 0523,
		0131, 0132, 0133,			----- Note -----			0526, 0535, 0560,
		0134, 0135, 0137,			694543			2127, 2133, 2147,
		0140, 0141, 0143,			Adjuster- Rocker Arm			2148.
		0221, 0223, 2127,			(SAE)			693710 Spring- Governor
		2129, 2133, 2135,			(Used Before Code Date 09061800).			Used on Type No(s).
		2136, 2144, 2145,						0125.
		2146, 2147, 2164,				209A	691278	Spring- Governor
		2172, 2180, 2181,					219	693578
		2184, 2185.						220
161A	795231	Base- Air Cleaner (Ultra Low Air Cleaner)						
		Used on Type No(s).						
		0125.						
		----- Note -----						
		790631 Base- Air Cleaner						
		(Ultra Low Air Cleaner)						
		Used on Type No(s).						
		0020, 0022.						

Illustrations cover a range of engines. Parts shown without corresponding text may not be used on your specific engine.
 4056-12 Assemblies include all parts shown in frames. 05/13/2016

REF. NO.	PART NO.	DESCRIPTION	REF. NO.	PART NO.	DESCRIPTION	REF. NO.	PART NO.	DESCRIPTION		
222D	795669	Bracket- Control (Variable Speed) ----- Note ----- 793107 Bracket- Control (Variable Speed) Used on Type No(s). 0001, 0002, 0004, 0006, 0007, 0020, 0022, 0023, 0028, 0035, 0036, 0037, 0049, 0050, 0060, 0070, 0072, 0074, 0075, 0126, 0127, 0128, 0129, 0130, 0131, 0132, 0133, 0134, 0135, 0137, 0140, 0141, 0143, 0221, 0223, 2127, 2129, 2133, 2135, 2136, 2137, 2138, 2139, 2140, 2142, 2144, 2145, 2146, 2147, 2148, 2164, 2172, 2176, 2180, 2181, 2184, 2185, 2186.	276	271716	Washer- Sealing	337	491055s	Plug- Spark (Resistor) ----- Note ----- 691043 Plug- Spark (EMS)		
			276C	797632	Washer- Sealing					
			281	795565	Panel- Control ----- Note ----- 793122 Panel- Control Used on Type No(s). 0004, 0007, 0020, 0022, 0023, 0026, 0033, 0035, 0036, 0037, 0049, 0050, 0060, 0070, 0072, 0074, 0075, 0126, 0127, 0128, 0129, 0130, 0131, 0132, 0133, 0134, 0135, 0137, 0140, 0141, 0143, 0221, 0223, 2127, 2129, 2133, 2135, 2136, 2137, 2138, 2139, 2140, 2142, 2144, 2145, 2146, 2147, 2148, 2164, 2172, 2176, 2180, 2181, 2184, 2185, 2186.			346	699203	Screw (Spark Arrestor) (Metric) ----- Note ----- 690661 Screw (Spark Arrestor) (SAE)
			286	794185	Module- Oil Sensor	347	697854	Switch- Rocker Used on Type No(s). 0001, 0002, 0033, 0035, 0036, 0037, 0070, 0130, 0134, 0536, 2133, 2142, 2176. ----- Note ----- 795333 Switch- Rocker Used on Type No(s). 0006, 0026, 0028, 0050, 0128, 0129, 0131, 0132, 0142, 0143, 2148, 2172, 2185.		
			287	699234	Screw (Dipstick Tube)					
222C	795668	Bracket- Control (Fixed Speed) Used on Type No(s). 0125.	300	693593	Muffler	356	693651	Wire- Stop		
			300A	797433	Muffler	356A	692390	Wire- Stop		
			300E	791595	Muffler	356B	692602	Wire- Stop		
222F	793100	Bracket- Control (Fixed Speed) Used on Type No(s). 0026, 0033, 0142.	304	699598	Housing- Blower ----- Note ----- 795658 Housing- Blower Used on Type No(s). 0111, 0112, 0118, 0119, 0121, 0123, 0523, 0526, 0535, 0536, 0549, 0560.	356C	695630	Wire- Stop		
						356E	695814	Wire- Stop		
						356F	697397	Wire- Stop		
227	794367	Lever- Governor Control				357	692191	Key- Drive Pulley		
238	691300	Valve- Cap				358	791797	Gasket Set- Engine		
240	394358S	Filter- Fuel (White, 75 Microns) ----- Note ----- 298090S Filter- Fuel (Red, 150 Microns)	305	699481	Screw (Blower Housing)	361	691693	Screw (Starting Switch)		
			306	795334	Shield- Cylinder	363	19203	Puller- Flywheel		
265	691024	Clamp- Casing	307	794822	Screw (Cylinder Shield)	364	695693	Terminal- Oil Plug		
267	699492	Screw (Casing Clamp)	309	694504	Motor- Starter	365	699484	Screw (Carburetor)		
268	691025	Casing- Control Wire (Cut to Required Length)	310	690323	Screw (Starter Motor)	377	690979	Key- Woodruff		
			311	497608	Brush Set	383	19576S	Wrench- Spark Plug		
269	691026	Wire- Control (Cut to Required Length)	318A	795026	Screw (Mounting Bracket)	383A	590721	Wrench- Spark Plug		
						415	693463	Plug		
270	691027	Nut (Control Wire Casing)	332	591988	Nut (Flywheel)	415B	792749	Plug		
			333	796964	Armature- Magneto	425	699208	Screw (Air Cleaner Cover)		
271	691028	Lever- Control	334	699477	Screw (Magneto Armature)	425A	699492	Screw (Air Cleaner Cover)		
271A	694256	Lever- Control								

Illustrations cover a range of engines. Parts shown without corresponding text may not be used on your specific engine.
4056- 13 Assemblies include all parts shown in frames. 05/13/2016

12S400

REF. NO.	PART NO.	DESCRIPTION	REF. NO.	PART NO.	DESCRIPTION	REF. NO.	PART NO.	DESCRIPTION
427	798458	Nut (Control Bracket) (Metric) ----- Note -----	504	695383	Washer Set- Friction	615	692576	Retainer- Governor Shaft
	694255	Nut (Control Bracket) (SAE)	505	691251	Nut (Governor Control Lever)	616	692547	Crank- Governor
445	491588S	Filter- Air Cleaner Cartridge (Flat Panel)	510	499308	Drive- Starter	619	699481	Screw (Cylinder Head Plate)
445A	697029	Filter- Air Cleaner Cartridge (High Mount)	513	692024	Drive- Clutch	621	692310	Switch- Stop
455	591302	Cup- Flywheel	522	697689	Plug- Dipstick/Fill	632	693408	Spring/Link- Mechanical Governor
456		Plate- Pawl Friction (Used After Code Date 11123100). (Not Serviced Separate. Service With Rewind Assembly.) ----- Note -----	523	693618	Dipstick ----- Note ----- 798469 Dipstick Used on Type No(s). 0125.	633	693867	Seal- Choke/Throttle Shaft
	692299	Plate- Pawl Friction (Used Before Code Date 12010100).	524	281370S	Seal- Dipstick Tube	633A	691321	Seal- Choke/Throttle Shaft
459		Pawl- Ratchet (Used After Code Date 11123100). (Not Serviced Separate. Service With Rewind Assembly.) ----- Note -----	526A	690326	Screw (20 Amp. Regulator)	633B	797629	Seal- Throttle Shaft
	281505S	Pawl- Ratchet (Used Before Code Date 12010100).	535	696263	Filter- Air Cleaner Foam	635	692076	Boot- Spark Plug
467	691668	Knob- Air Cleaner	535A	493537S	Filter- Pre Cleaner (Flat Panel)	635A	798619	Boot- Spark Plug
474	793640	Alternator Used on Type No(s). 0001, 0050, 0128. ----- Note -----	535B	273356S	Filter- Pre Cleaner (High Mount)	643	696264	Retainer- Air Filter
	695730	Alternator Used on Type No(s). 0112, 0121, 0129, 0141, 0221, 2129, 2139, 2181.	552	692346	Bushing- Governor Crank	652	699755	Screw (Support Bracket)
474E	790320	Alternator Used on Type No(s). 0134.	562	691119	Bolt (Governor Control Lever)	652A	699230	Screw (Support Bracket)
493B	699048	Bracket- Regulator	564	699491	Screw (Control Cover)	663	699206	Screw (Control Panel)
501A	790325	Regulator (20 Amp.)	564A	699206	Screw (Control Cover)	664	691087	Nut (Key Switch)
500B	691086	Washer (Key Switch)	577	690795	Cable- Starter	668	694257	Spacer
503	691532	Strap- Starter	579	691029	Nut (Starter Cable)	675	691261	Washer (Brush Retainer)
			597		Screw (Pawl Friction Plate) (Used After Code Date 11123100). (Not Serviced Separate. Service With Rewind Assembly.) ----- Note -----	676	796956	Deflector- Muffler
			601	791850	Clamp- Hose	677	699203	Screw (Muffler Deflector) (Metric) ----- Note -----
			601B	795230	Clamp- Hose		690661	Screw (Muffler Deflector) (SAE)
			604	697326	Cover- Control	689		Spring- Friction (Used After Code Date 11123100). (Not Serviced Separate. Service With Rewind Assembly.) ----- Note -----
			608C	591301	Starter- Rewind		691855	Spring- Friction (Used Before Code Date 12010100).
			613	791972	Screw (Muffler)	692	690572	Spring- Detent
			613A	699481	Screw (Muffler)	692B	797624	Spring- Detent
			613B	799081	Screw (Muffler)	697	699200	Screw
						703	795222	Clip
						718	690959	Pin- Locating
						725	792874	Shield- Heat
						727	698039	Cover- Starter Drive
						728	699491	Screw (Heat Shield)

Illustrations cover a range of engines. Parts shown without corresponding text may not be used on your specific engine.
4056- 14 Assemblies include all parts shown in frames. 05/13/2016

REF. NO.	PART NO.	DESCRIPTION	REF. NO.	PART NO.	DESCRIPTION	REF. NO.	PART NO.	DESCRIPTION
732	699200	Screw (Starter Drive Cover)	741A	593499	Gear- Timing (Nylon Gear Used with Mating Crankshaft). (Used After Code Date 13050500)	836C	699234	Screw (Muffler Guard)
741	695087	Gear- Timing (Metal Gear Used with Mating Crankshaft). (Used After Code Date 07063000). Used on Type No(s). 0008, 0037, 0049, 0074, 0075, 0126, 0130, 0131, 0132, 0133, 0135, 2185.			----- Note ----- 593499 Gear- Timing (Nylon Gear Used with Mating Crankshaft) (Used After Code Date 13050500 and Before Code Date 15030300). Used on Type No(s). 0070.	836E	699755	Screw (Muffler Guard)
		695087 Gear- Timing (Metal Gear Used with Mating Crankshaft) (Used Before Code Date 13050600). Used on Type No(s). 0002, 0004, 0020, 0022, 0023, 0026, 0028, 0033, 0035, 0036, 0050, 0070, 0111, 0112, 0118, 0119, 0121, 0125, 0127, 0128, 0129, 0134, 0137, 0140, 0141, 0142, 0143, 0221, 0223, 0523, 0526, 0535, 0536, 0549, 0560, 2127, 2129, 2133, 2135, 2136, 2137, 2138, 2139, 2140, 2142, 2144, 2145, 2146, 2147, 2148, 2164, 2172, 2176, 2180, 2181, 2184.	742	692564	Retainer- E Ring	842	691031	Seal- O Ring (Dipstick Tube)
		695087 Gear- Timing (Metal Gear Used with Mating Crankshaft) (Used Before Code Date 13050600 and After Code Date 15030200). Used on Type No(s). 0070.	746	790278	Gear- Idler	843A	695588	Sleeve- Lever
			773	694258	Retainer	847	693617	Dipstick/Tube Assembly ----- Note ----- 798468 Dipstick/Tube Assembly Used on Type No(s). 0125.
			783	692353	Gear- Pinion	851	493880S	Terminal- Spark Plug
			789	797457	Harness- Wiring	862	693462	Strap/Stud- Air Cleaner Mounting
			797	691029	Nut (Brush Retainer)	863	699229	Bracket- Muffler
			799	699202	Screw (Oil Sensor)	864	699232	Adapter- Muffler
			801	694482	Cap- Drive	868	795440	Seal- Valve
			802	691286	Cap- End	875	591306	Base- Air Cleaner (High Mount)
			804	795223	Canister- Carbon (EVAP)	883	691893	Gasket- Exhaust
			813	690635	Clamp	883A	692237	Gasket- Exhaust (Adapter Mounting)
			819	699233	Screw (Muffler Bracket)	890	790203	Bracket- Support
			819A	699230	Screw (Muffler Bracket)	892A	692318	Key- Swicth
			823	791972	Screw (Muffler Adapter)	914	699481	Screw (Rocker Cover) (Bottom)
			825	795226	Hose- Air	914A	797444	Screw (Rocker Cover) (Quantity 1, Top Or Center) (Metric) (Used After Code Date 09061700). ----- Note ----- 692557 Screw (Top)(SAE) (Used Before Code Date 09061800).
			830	797441	Stud- Rocker Arm (Metric) (Used After Code Date 09061700). ----- Note ----- 694544 Stud- Rocker Arm (SAE) (Used Before Code Date 09061800).	914B	697551	Screw (Rocker Cover) (Center)(SAE) (Used Before Code Date 09061800).
			832	693583	Guard- Muffler	920	691656	Solenoid- Starter
			832A	697818	Guard- Muffler	957A	799719	Cap- Fuel Tank
			832D	796240	Guard- Muffler	957C	795221	Cap- Fuel Tank
			835	797458	Bracket- Wire Harness	958	698180	Valve- Fuel Shut Off ----- Note ----- 698183 Valve- Fuel Shut Off Used on Type No(s). 0125.
			836	699203	Screw (Muffler Guard)			
			836A	699632	Screw (Muffler Guard)			
			836B	791972	Screw (Muffler Guard)			

Illustrations cover a range of engines. Parts shown without corresponding text may not be used on your specific engine.
4056- 15 Assemblies include all parts shown in frames. 05/13/2016

12S400

REF. NO.	PART NO.	DESCRIPTION	REF. NO.	PART NO.	DESCRIPTION	REF. NO.	PART NO.	DESCRIPTION
961	698304	Screw (Air Cleaner Bracket)	1034	691343	Guide- Push Rod	1211		Pulley/Spring Assembly
968	692584	Cover- Air Cleaner (Flat Panel)	1036		Label- Emissions (Available From An Authorized Briggs & Stratton Service Dealer)			(Spring) (Used After Code Date 11123100). (Not Serviced Separate. Service With Rewind Assembly.)
968A	693460	Cover- Air Cleaner (High Mount)						----- Note -----
968B	791082	Cover- Air Cleaner (Ultra Low Air Cleaner)	1051	691265	Ring- Retaining			791849 Pulley/Spring Assembly (Spring)
971	798649	Screw (Air Cleaner Base) (Metric)	1052	790141	Sensor- Oil			(Used After Code Date 08030200 and Before Code Date 12010100).
		----- Note -----	1054	280275	Cable- Tie			498144 Pulley/Spring Assembly (Spring)
		690370 Screw (Air Cleaner Base) (SAE)	1058	277040	Operator's Manual			(Used Before Code Date 08030300).
971A	591307	Screw (Air Cleaner Base)	1068	795229	Hose- /Clamp Assembly			
971B	699234	Screw (Air Cleaner Base)	1070	699201	Screw (Flywheel Fan)			
972	799863	Tank- Fuel	1090	691293	Retainer- Brush			
972A	795705	Tank- Fuel	1095	791798	Gasket Set- Valve			
975	796611	Bowl- Float	1119	699772	Screw (Alternator)			
975C	797631	Bowl- Float	1210		Pulley/Spring Assembly (Pulley)	1230	699847	Stud (Control Bracket)
990A	691959	Key Set			(Used After Code Date 11123100). (Not Serviced Separate. Service With Rewind Assembly.)	1305	699691	Screw (Oil Sensor Module)
993	694088	Gasket- Cylinder Head Plate				1319	794467	Label- Warning
994	790153	Arrester- Spark			----- Note -----	1319A	797669	Label- Warning
994A	399541	Arrester- Spark			791849 Pulley/Spring Assembly (Pulley)	1330	272147	Repair Manual
1005A	794273	Fan- Flywheel			(Used After Code Date 08030200 and Before Code Date 12010100).	1345	699887	Filter- Filler Neck
1022	691890	Gasket- Rocker Cover				1345A	792917	Filter- Filler Neck
1023	791585	Cover- Rocker Arm				1425A	795227	Hose- Purge Line Arm- Rocker
1026	790287	Rod- Push						----- Note -----
1029	797443	Arm- Rocker (Metric) (Used After Code Date 09061700).			498144 Pulley/Spring Assembly (Pulley) (Used Before Code Date 08030300).			795741 Hose- Purge Line (Cut to Required Length) Used on Type No(s). 0125.
		----- Note -----						
		691230 Arm- Rocker (SAE) (Used Before Code Date 09061800).						

Illustrations cover a range of engines. Parts shown without corresponding text may not be used on your specific engine.

Not for
Reproduction

Not for
Reproduction

Not for
Reproduction

Not for
Reproduction

