

---

# **Kaishan Rotary Screw Air Compressor**

---

## **KRSV 50HP Parts Manual**

---

---

PN: 97002023000128

Release June 2023, Version: C

(460V/60HZ/VSD/ASME/UL)

## TABLE OF CONTENTS

---

|  |           |
|--|-----------|
| <b>Service Parts .....</b>                       | <b>3</b>  |
| <b>Serial Number .....</b>                       | <b>3</b>  |
| <b>Fluid Specification .....</b>                 | <b>4</b>  |
| <b>Spare Parts .....</b>                         | <b>5</b>  |
| <b>Airend and inlet valve.....</b>               | <b>6</b>  |
| <b>Base mounting .....</b>                       | <b>9</b>  |
| <b>Reservoir .....</b>                           | <b>11</b> |
| <b>Driving System and Electrical Motor .....</b> | <b>13</b> |
| <b>Air Cooler .....</b>                          | <b>15</b> |
| <b>Fluid Piping.....</b>                         | <b>17</b> |
| <b>Cabinet.....</b>                              | <b>19</b> |
| <b>Electrical Enclosure .....</b>                | <b>21</b> |
| <b>Decals .....</b>                              | <b>23</b> |
| <b>Standard Terms and Conditions.....</b>        | <b>26</b> |
| <b>Appendix .....</b>                            | <b>29</b> |
| <b>Contact Information .....</b>                 | <b>30</b> |

## Service Parts

---

The following information must be provided for ordering service parts:

1. The serial number of unit must be provided. It will be verified to ensure correct replacement parts are ordered.
2. Service parts must be ordered from closest authorized distributor.
3. Exact part number, quantity and delivery method must be provided.

All service parts must be ordered through nearest authorized distributor. Insist on genuine manufacturer parts only. Failure to do so may void product warranty.

## Serial Number

---

The unit serial number can be found on serial number tag, which is located on the cabinet corner post of the unit. The serial number tag is shown as follows.

**KAISHAN** SCREW VACUUM PUMP

MODEL

SERIAL NUMBER

MAX VACUUM LEVEL HG MOTOR POWER  HP

VOLTAGE  DATE OF MFG

NET WEIGHT  KG

KAISHAN COMPRESSOR USA, Loxley, AL  
[www.KaishanUSA.com](http://www.KaishanUSA.com)

## Fluid Specification

---

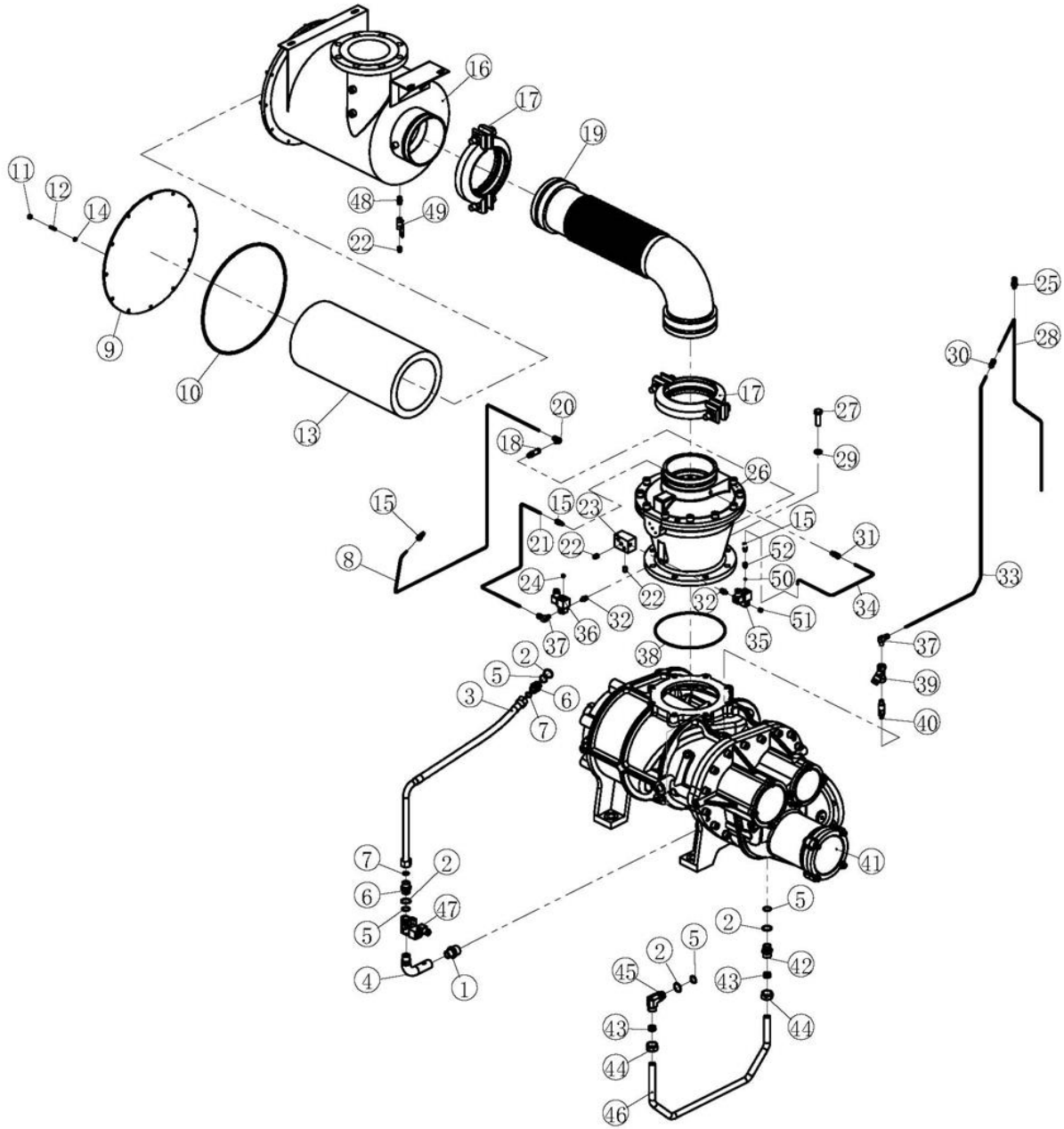
All KRSV Compressors must use KCA recommended fluid for maintenance.

## Spare Parts

Recommended spare parts are shown as follows:

| ITEM No. | QTY | PART NUMBER   | DESCRIPTION                 |  |  |
|----------|-----|---------------|-----------------------------|--|--|
| 1        | 1   | 537702 322610 | Air filter element          |  |  |
|          | 1   | 537702 322620 | Child element               |  |  |
| 2        | 1   | 537705 330800 | Oil filter                  |  |  |
| 3        | 1   | 55400 439700E | Fluid/air separator element |  |  |
|          |     |               |                             |  |  |
|          |     |               |                             |  |  |

# Airend and Inlet valve



## Airend and Inlet valve

| NO.  | VERSION | PN             | DESCRIPTION                | QTY | REMARK   |
|------|---------|----------------|----------------------------|-----|--|
| 1    |         | 91031 01100 01 | Joint                      | 1   |  |
| 2    |         | 02201 00020 00 | Screw washer               | 4   |  |
| 3    |         | 91031 01220 01 | Air pipe                   | 1   |  |
| 4    |         | 91031 01210 01 | Connecting pipe            | 1   |  |
| 5    |         | 02901 02360 20 | O ring                     | 4   | 23.6X2.65  |
| 6    |         | 12315 06004 09 | Joint                      | 2   |  |
| 7    |         | 02901 01600 20 | O ring                     | 2   | 16X2.65  |
| 8    | S01     | 91031 01140 01 | Oil return pipe            | 1   |  |
| 9    | S01     | 91031 08010 20 | Air filter cover           | 1   |  |
| 10   |         | 02901 41800 70 | O ring                     | 1   | 418X7  |
| 11   |         | 01322 08000 00 | Nut                        | 12  | M8   |
| 12   |         | 01391 08020 02 | Bolt                       | 12  | AM8×20   |
| 13   |         | 537702 322610  | Air filter element         | 1   |  |
| 14   |         | 01365 08000 00 | Washer                     | 12  | 8  |
| 15   |         | 01512 06100 00 | Joint                      | 3   |  |
| 16   | S01     | 91031 08010 10 | Air filter shell           | 1   |  |
| 17   |         | 01530 10119 37 | Joint                      | 2   |  |
| 18   |         | 01610 03000 00 | Check valve                | 1   |  |
| 19   | S01     | 91031 01001 01 | Air filter connecting pipe | 1   |  |
| 20   |         | 01513 06100 00 | Joint                      | 1   |  |
| 21   | S01     | 91031 01130 01 | Air control pipe           | 1   |  |
| 22   |         | 02103 00008 00 | Plug                       | 3   |  |
| 23   | S01     | 18031 07002 00 | Connecting block           | 1   |  |
| 24   |         | 07711 04005 00 | Muffler                    | 1   |  |
| 25   |         | 92217 03300 00 | Joint                      | 1   |  |
| 26   |         | 01688 00000 00 | Inlet valve                | 1   |  |
| 26A* |         | 04002 00160 05 | Inlet valve kit            | 1   | 20X2.65 oring, 150X5.3 oring, 30X2.65 oring (2), 180X3.55 oring, 320x5.3 oring, guide belt, spring A, guide belt A, spring B, guide belt B |
| 27   |         | 01307 16050 00 | Bolt                       | 8   | M16×50   |
| 28   | S01     | 91031 01160 01 | Oil return pipe            | 1   |  |
| 29   |         | 01365 16000 00 | Washer                     | 8   | 16   |
| 30   |         | 01558 06000 00 | Joint                      | 1   |  |
| 31   |         | 01512 06130 00 | Joint                      | 1   |  |
| 32   |         | 98018 07011 03 | Joint                      | 2   |  |
| 33   | S01     | 91031 01150 01 | Oil return pipe            | 1   |  |
| 34   | S01     | 91031 01120 01 | Air control pipe           | 1   |  |
| 35   |         | 01603 31016 00 | Solenoid valve             | 1   |  |
| 36   |         | 01603 31015 00 | Solenoid valve             | 1   |  |
| 37   |         | 01513 06130 00 | Joint                      | 2   |  |
| 38   |         | 02901 25000 50 | O ring                     | 1   | 250X5.3  |
| 39   |         | 07706 00025 00 | Filter                     | 1   |  |
| 40   |         | 01610 01020 02 | Visible check valve        | 1   |  |
| 41   |         | 1780201        | Airend                     | 1   |  |
| 42   |         | 16403 06005 00 | Joint                      | 1   |  |

## Airend and inlet valve

---

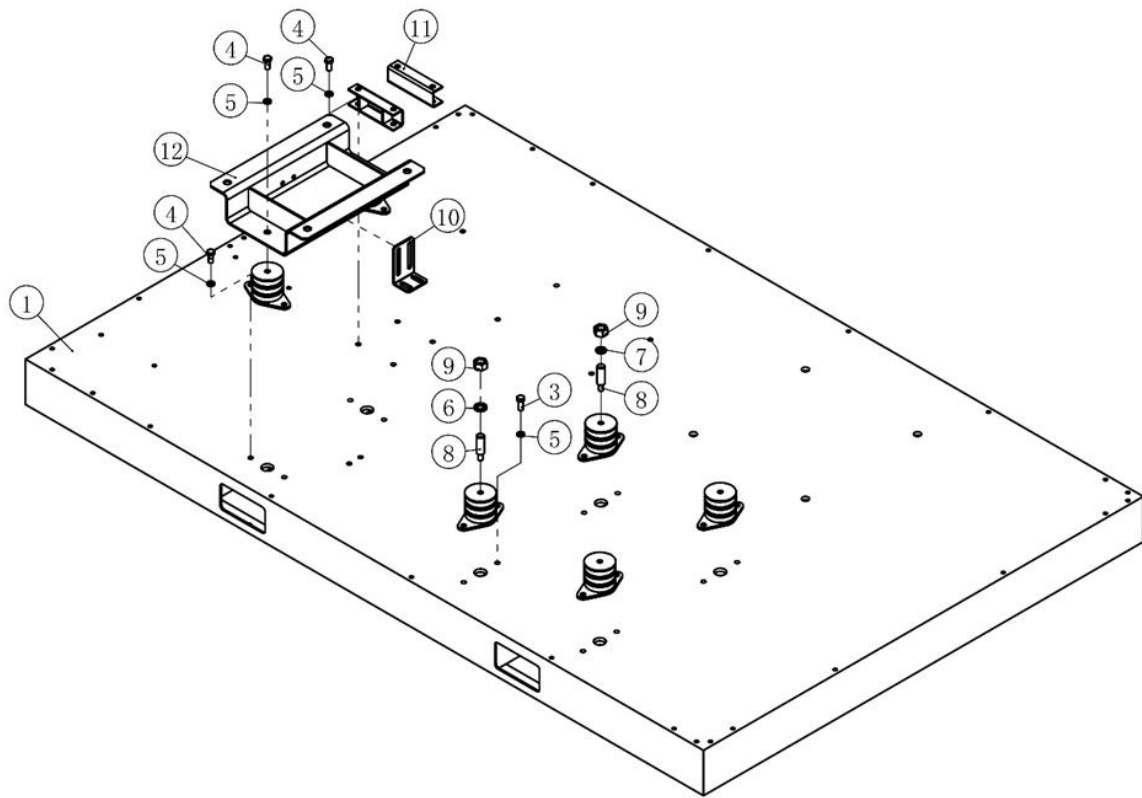
---

| NO. | VERSION | PN             | DESCRIPTION        | QTY | REMARK     |
|-----|---------|----------------|--------------------|-----|------------|
| 43  |         | 01514 02200 00 | Cutting sleeve     | 2   | 22         |
| 44  |         | 01504 02200 00 | Nut                | 2   | G22        |
| 45  |         | 15435 06200 02 | Joint              | 1   |            |
| 46  | S01     | 91031 01170 01 | Oil injection pipe | 1   |            |
| 47  |         | 01603 00014 03 | Solenoid valve     | 1   | 16bar,18   |
| 48  |         | 98018 07011 00 | Joint              | 1   |            |
| 49  |         | 01613 00800 00 | Ball valve         | 1   |            |
| 50  |         | 02901 00400 10 | O ring             | 1   | 4X1.8      |
| 51  |         | 07711 08006 00 | Muffler            | 1   |            |
| 52  |         | 91031 01250 01 | Joint              | 1   | M5-Rp0.125 |



# Base mounting

---



## Base mounting

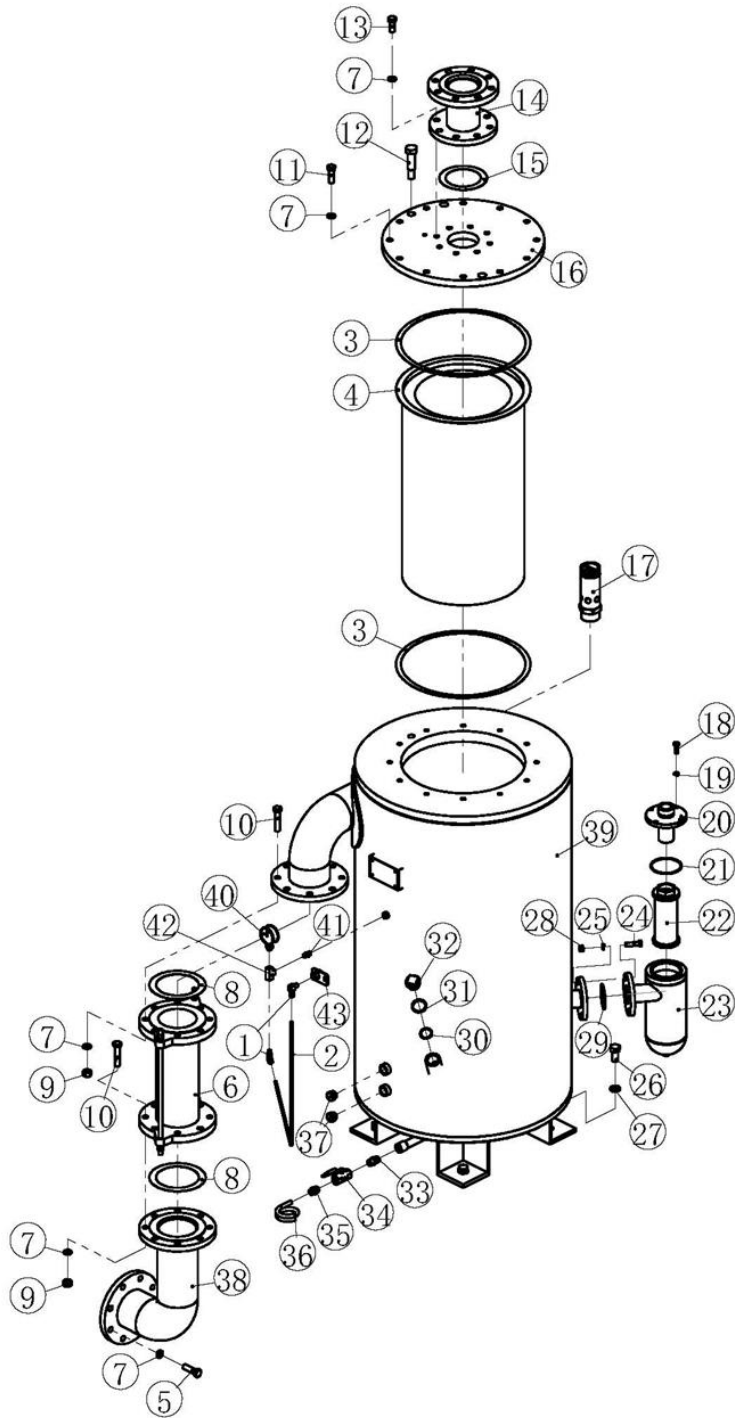
---

---

| NO. | VERSION | PN             | DESCRIPTION           | QTY | REMARK |
|-----|---------|----------------|-----------------------|-----|--------|
| 1   | S01     | 91031 02010 00 | Base                  | 1   |        |
| 2   |         | 02905 00001 00 | Absorber              | 6   |        |
| 3   |         | 01307 12030 00 | Bolt                  | 1   | M12×30 |
| 4   |         | 01307 12025 00 | Bolt                  | 3   | M12×25 |
| 5   |         | 01365 12000 00 | Washer                | 4   | 12     |
| 6   |         | 01365 20000 00 | Washer                | 1   | 20     |
| 7   |         | 01365 16000 00 | Washer                | 1   | 16     |
| 8   |         | 13031 02001 00 | Bolt                  | 4   |        |
| 9   |         | 01322 20000 00 | Nut                   | 4   | M20    |
| 10  |         | 17330 00005 00 | Fixing plate,shipping | 1   |        |
| 11  | S01     | 91031 06150 01 | Motor support         | 2   |        |
| 12  | S01     | 91031 02002 01 | Motor support         | 1   |        |

# Reservoir

---

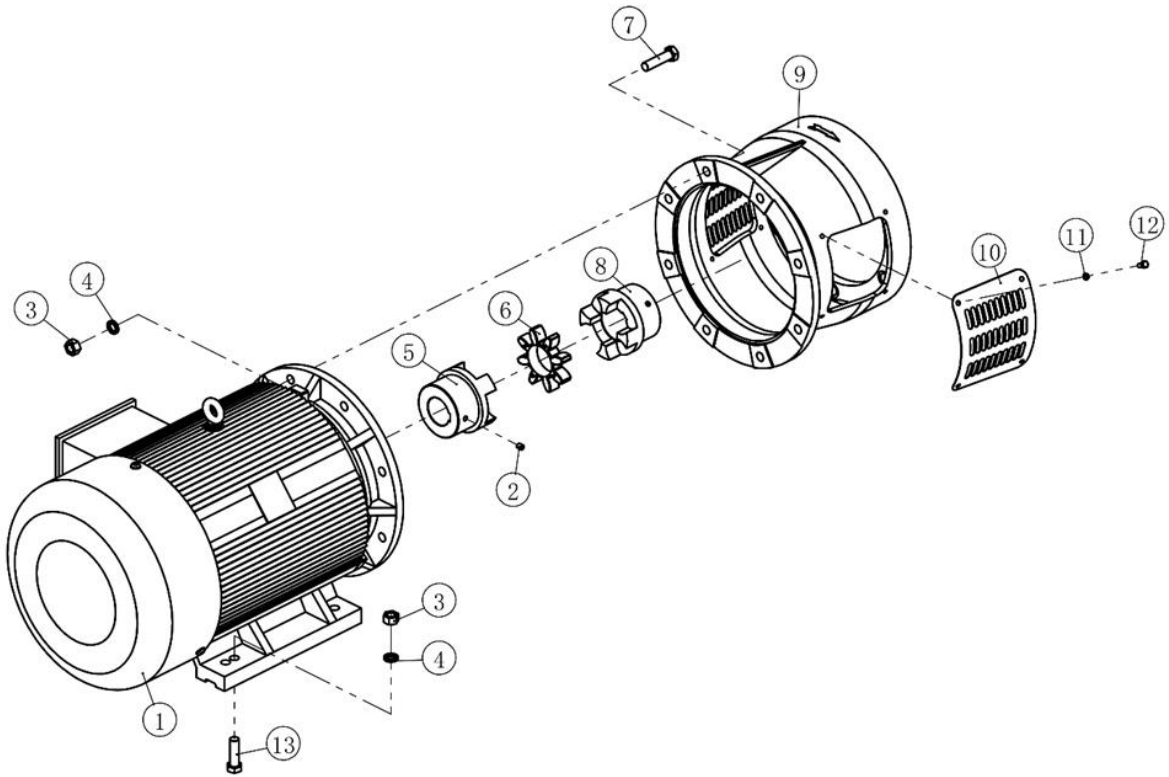


## Reservoir

| NO. | VERSION | PN             | DESCRIPTION                 | QTY | REMARK    |
|-----|---------|----------------|-----------------------------|-----|-----------|
| 1   |         | 01513 06130 00 | Joint                       | 2   |           |
| 2   |         | 91031 03100 01 | Connecting pipe             | 1   |           |
| 3   |         | 02216 40436 16 | Gasket                      | 2   |           |
| 4   |         | 55400 439700E  | Air/fluid separator element | 1   |           |
| 5   |         | 01307 16055 00 | Bolt                        | 1   | M16×55    |
| 6   |         | 28404 07004 01 | Corrugated pipe             | 1   |           |
| 7   |         | 01365 16000 00 | Washer                      | 11  | 16        |
| 8   |         | 02216 12516 06 | Gasket                      | 2   |           |
| 9   |         | 01322 16000 00 | Nut                         | 2   | M16       |
| 10  |         | 01306 16075 00 | Bolt                        | 2   | M16×75    |
| 11  |         | 01307 16050 00 | Bolt                        | 1   | M16×50    |
| 12  |         | 821141 103030  | Bolt                        | 1   |           |
| 13  |         | 01307 16040 00 | Bolt                        | 8   | M16×40    |
| 14  | S01     | 91031 03005 01 | Air pipe                    | 1   |           |
| 15  |         | 02216 10016 06 | Gasket                      | 1   |           |
| 16  | S01     | 91031 03010 81 | Lid                         | 1   |           |
| 17  |         | 01601 50015 07 | Safety valve                | 1   |           |
| 18  |         | 01307 10030 00 | Bolt                        | 1   | M10×30    |
| 19  |         | 01365 10000 00 | Washer                      | 1   | 10        |
| 20  | S01     | 91031 03002 01 | Oil strainer flange         | 1   |           |
| 21  |         | 02901 10000 30 | O ring                      | 1   | 100X3.55  |
| 22  |         | 07706 16901 60 | Oil strainer element        | 1   |           |
| 23  | S01     | 91031 03006 01 | Oil strainer seat           | 1   |           |
| 24  |         | 01307 12045 00 | Bolt                        | 1   | M12×45    |
| 25  |         | 01365 12000 00 | Washer                      | 1   | 12        |
| 26  |         | 01307 20040 00 | Bolt                        | 4   | M20×40    |
| 27  |         | 01365 20000 00 | Washer                      | 4   | 20        |
| 28  |         | 01322 12000 00 | Nut                         | 1   | M12       |
| 29  |         | 02216 04016 06 | Gasket                      | 1   |           |
| 30  |         | 02901 03350 30 | O ring                      | 1   | 33.5X3.55 |
| 31  |         | 02201 03320 00 | Screw washer                | 1   |           |
| 32  |         | 13340 03003 00 | Plug                        | 1   |           |
| 33  |         | 91001 05005 00 | Joint                       | 1   |           |
| 34  |         | 01613 01500 00 | Ball valve                  | 1   | DN15      |
| 35  |         | 01543 21012 00 | Joint                       | 1   |           |
| 36  |         | 02917 12300 00 | Nylon pipe                  | 1   |           |
| 37  |         | 02102 00020 00 | Sight glass                 | 2   |           |
| 38  | S01     | 91031 03004 01 | Airend discharge pipe       | 1   |           |
| 39  | S01     | 91031 03010 01 | Air/fluid separator tank    | 1   |           |
| 40  |         | 02801 06301 00 | Pressure gauge              | 1   |           |
| 41  |         | 18031 07110 00 | Joint                       | 1   |           |
| 42  |         | 11476 07003 00 | Tee joint                   | 1   | 1/4       |
| 43  |         | 90217 03100 00 | Pressure sensor seat        | 1   |           |

## Driving System and Electrical Motor

---

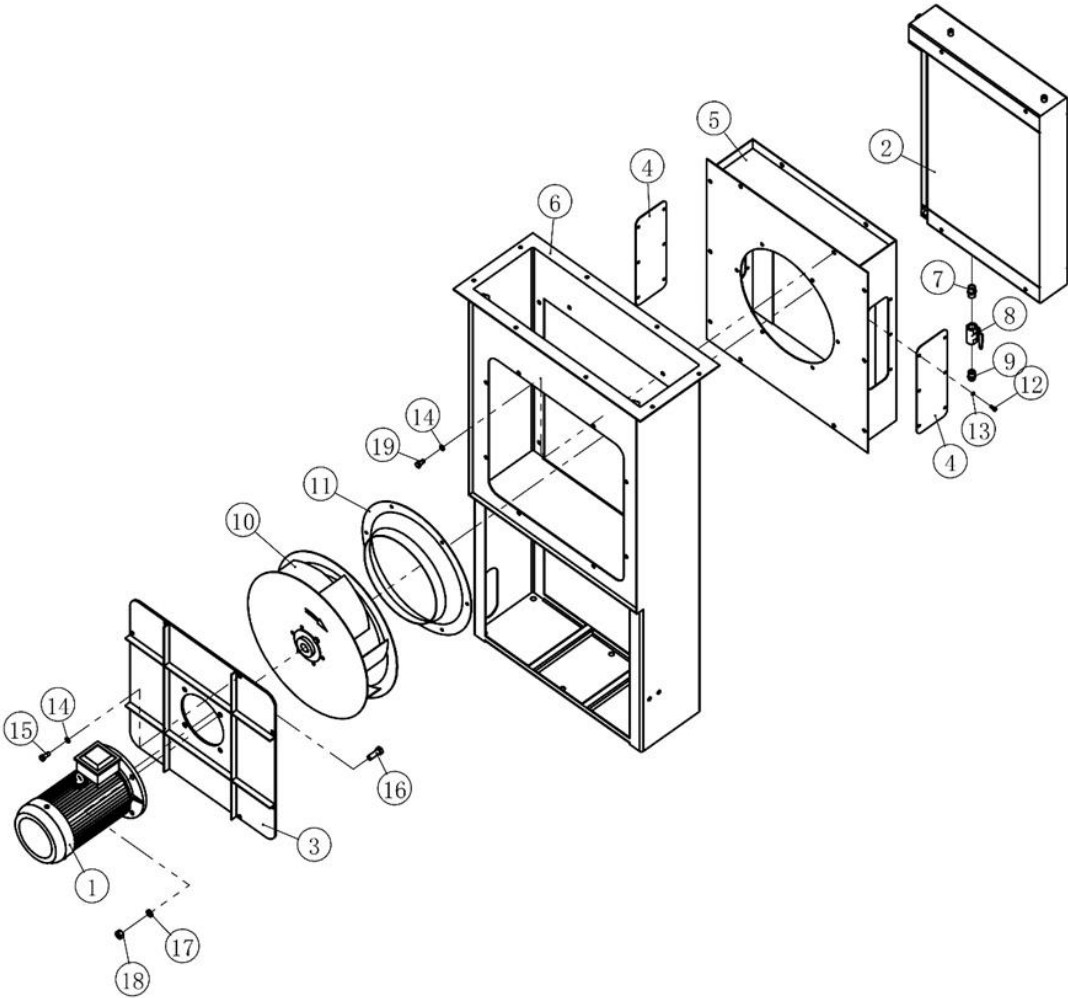


## Driving System and Electrical Motor

---

| NO. | VERSION | PN             | DESCRIPTION    | QTY | REMARK        |
|-----|---------|----------------|----------------|-----|---------------|
| 1   |         | 64037 46043 25 | Motor          | 1   | 50HP,IE3,460V |
| 2   |         | 01347 10010 00 | Set screw      | 2   | M10X10        |
| 3   |         | 01322 18000 00 | Nut            | 2   | M18           |
| 4   |         | 01365 18000 00 | Washer         | 2   | 18            |
| 5   |         | 01905 06506 00 | Half coupling  | 1   |               |
| 6   |         | 01908 06500 00 | Elastomer      | 1   |               |
| 7   |         | 01306 18070 00 | Bolt           | 1   | M18×70        |
| 8   |         | 01905 06507 50 | Half coupling  | 1   |               |
| 9   |         | 1780102601     | Motor adaptor  | 1   |               |
| 10  |         | 01910 19226 01 | Coupling guard | 2   |               |
| 11  |         | 01365 08000 00 | Washer         | 1   | 8             |
| 12  |         | 01307 08016 00 | Bolt           | 1   | M8×16         |
| 13  |         | 01307 18060 00 | Bolt           | 1   | M18×60        |

# Air Cooler



## Air Cooler

---

---

| NO. | VERSION | PN             | DESCRIPTION             | QTY | REMARK |
|-----|---------|----------------|-------------------------|-----|--------|
| 1   |         | 66001 46651 25 | Motor                   | 1   | 1.1KW  |
| 2   | S01     | 91031 05010 11 | Oil cooler              | 1   |        |
| 3   | S01     | 91217 05003 00 | Fan motor fixing plate  | 1   |        |
| 4   | S01     | 91031 05006 01 | Seal cover              | 2   |        |
| 5   | S01     | 91031 05001 01 | Cooler support          | 1   |        |
| 6   | S01     | 91031 05002 01 | Centrifugal fan support | 1   |        |
| 7   |         | 13340 03004 00 | Joint                   | 1   |        |
| 8   |         | 01613 01500 00 | Ball valve              | 1   | DN15   |
| 9   |         | 01543 21012 00 | Joint                   | 1   |        |
| 10  |         | 07261 45028 12 | Impeller                | 1   |        |
| 11  |         | 07261 45000 22 | Collector               | 1   |        |
| 12  |         | 01307 06016 00 | Bolt                    | 1   | M6×16  |
| 13  |         | 01365 06000 00 | Washer                  | 1   | 6      |
| 14  |         | 01365 10000 00 | Washer                  | 2   | 10     |
| 15  |         | 01307 10025 00 | Bolt                    | 1   | M10×25 |
| 16  |         | 01307 14040 00 | Bolt                    | 1   | M14×40 |
| 17  |         | 01365 14000 00 | Washer                  | 1   | 14     |
| 18  |         | 01322 14000 00 | Nut                     | 1   | M14    |
| 19  |         | 01307 10020 00 | Bolt                    | 1   | M10×20 |

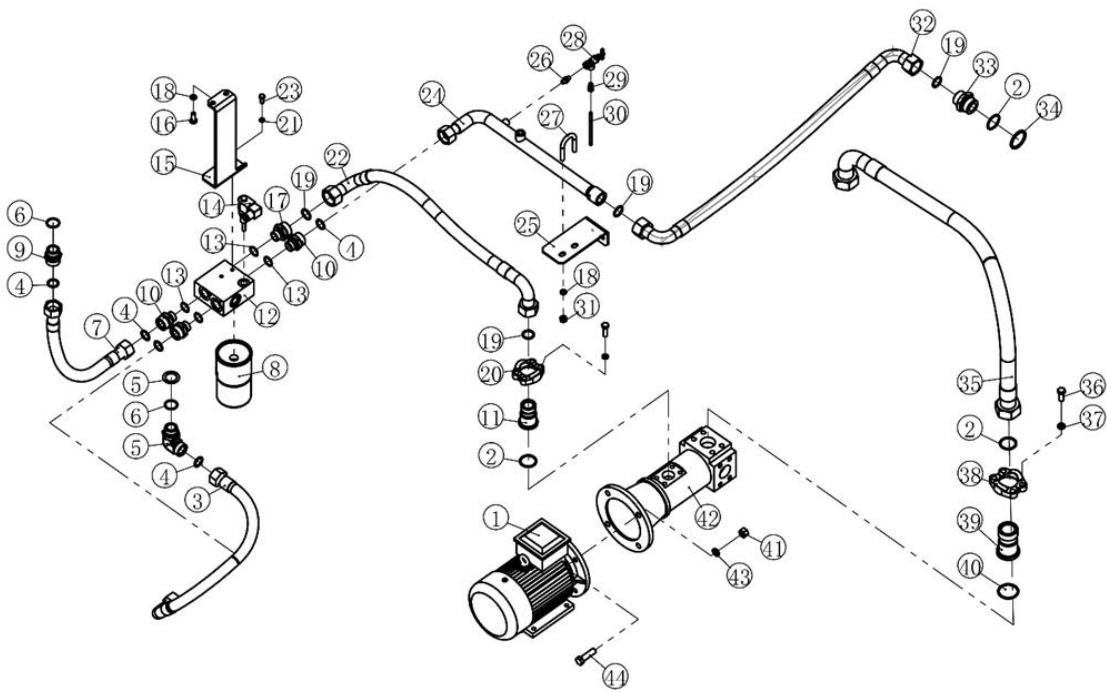
---

---



# Fluid Piping

---

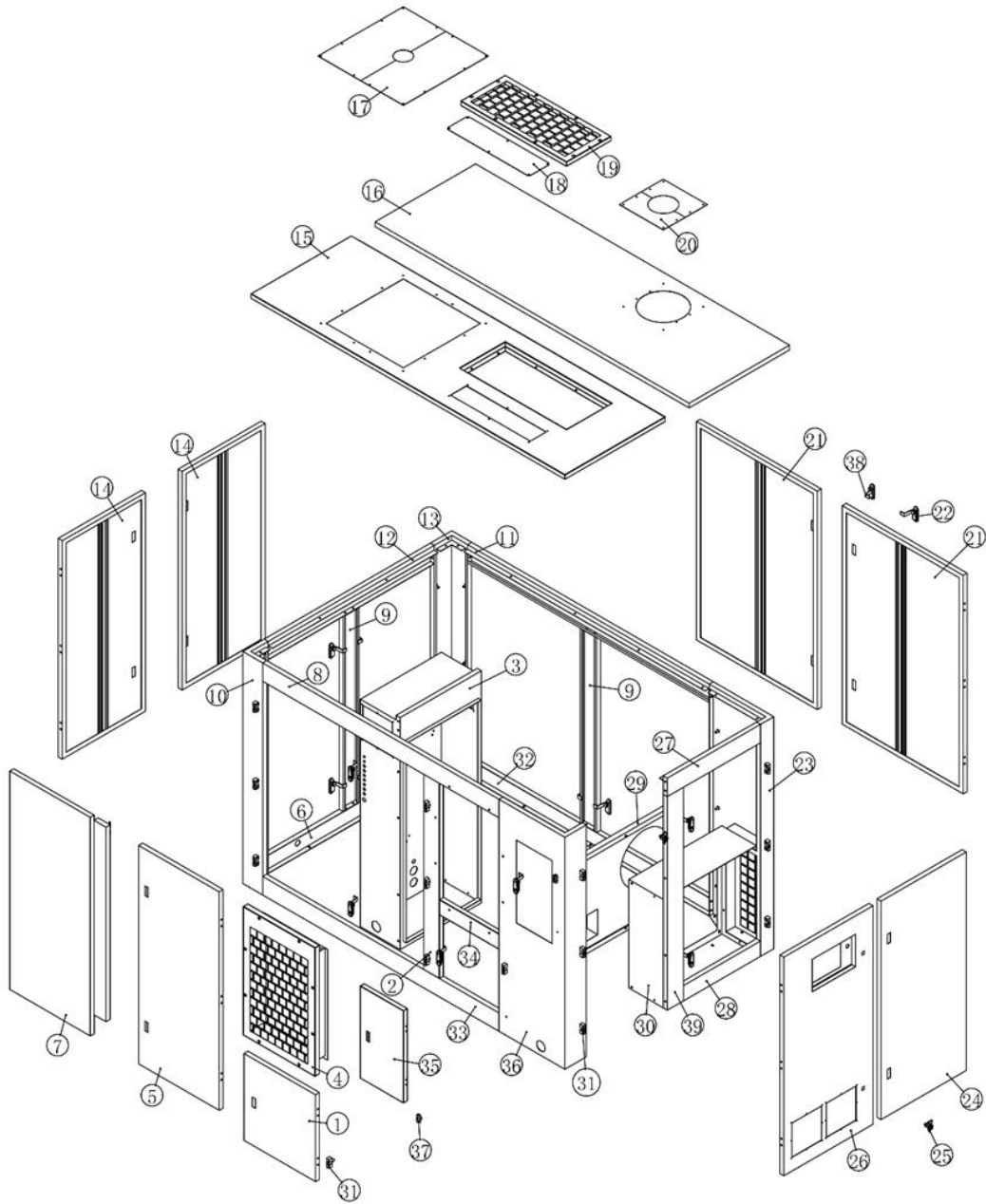


## Fluid Piping

| NO.  | VERSION | PN               | DESCRIPTION               | QTY | REMARK   |
|------|---------|------------------|---------------------------|-----|--|
| 1    |         | 64115 46641 25   | Motor                     | 1   | 1.5KW  |
| 2    |         | 02901 03870 30   | O ring                    | 3   | 38.7X3.55  |
| 3    | S01     | 91031 06004 01   | Oil pipe                  | 1   | Oil cooler to thermal valve  |
| 4    |         | 02901 02360 30   | O ring                    | 5   | 23.6X3.55  |
| 5    |         | 91217 06100 00   | Adjustable elbow          | 1   | 1.3125-12UN-M36X2  |
| 6    |         | 02901 91600 30   | O ring                    | 2   | 3-916  |
| 7    | S01     | 91031 06003 01   | Oil pipe                  | 1   | Thermal valve to oil   |
| 8    |         | 537705 330800    | Oil filter                | 1   |  |
| 9    |         | 91201 06005 00   | Joint                     | 1   |  |
| 10   |         | 91001 06004 00   | Joint                     | 3   |  |
| 11   | S01     | 91031 06007 01   | Oil pump connecting pipe  | 1   |  |
| 12   |         | 01611 02018 37   | Thermal valve             | 1   |  |
| 12A* |         | 04004 34001 00   | Thermal valve kit         | 1   | Check ring, O'ring 30x2.65, adjustable block, thread sleeve, valvce element, plunger, spring |
| 13   |         | 02901 91200 30   | O ring                    | 4   | 3-912  |
| 14   |         | 02809 02000 00   | Oil filter indicator      | 1   |  |
| 15   | S01     | 91031 06005 01   | Oil pipe support          | 1   |  |
| 16   |         | 01307 10025 00   | Bolt                      | 1   | M10×25   |
| 17   |         | 89817 06003 00   | Joint                     | 1   |  |
| 18   |         | 01365 10000 00   | Washer                    | 3   | 10   |
| 19   |         | 02901 02580 30   | O ring                    | 4   | 25.8X3.55  |
| 20   |         | 01555 03200 00   | Flange                    | 2   |  |
| 21   |         | 01365 08000 00   | Washer                    | 1   | 8  |
| 22   | S01     | 91031 06002 01   | Oil pipe                  | 1   | Oil pump to thermal valve  |
| 23   |         | 01307 08020 00   | Bolt                      | 1   | M8×20  |
| 24   | S01     | 91031 06008 01   | Outlet thermal valve pipe | 1   |  |
| 25   | S01     | 91031 06100 01   | Oil pipe support          | 1   |  |
| 26   |         | 98018 07011 06   | Joint                     | 1   |  |
| 27   |         | 01313 03300 00   | U bolt                    | 1   | 33   |
| 28   |         | 01613 00600 99   | Sample valve              | 1   |  |
| 29   |         | 01511 06100 00   | Joint                     | 1   |  |
| 30   |         | 91217 06007 00   | Drain hose                | 1   |  |
| 31   |         | 01322 10000 00   | Nut                       | 1   | M10  |
| 32   | S01     | 91031 06009 01   | Inlet airend pipe         | 1   |  |
| 33   |         | 98018 06006 00   | Joint                     | 1   |  |
| 34   |         | 02201 00032 00   | Screw washer              | 1   |  |
| 35   | S01     | 91031 06001 01   | Oil pipe                  | 1   | Tank to oil pump   |
| 36   |         | 01307 12030 00   | Bolt                      | 1   | M12×30   |
| 37   |         | 01365 12000 00   | Washer                    | 1   | 12   |
| 38   |         | 01555 04000 00   | Flange                    | 2   |  |
| 39   | S01     | 91031 06006 01   | Oil pump connecting pipe  | 1   |  |
| 40   |         | 02901 04870 30   | O ring                    | 1   | 48.7X3.55  |
| 41   |         | 01322 14000 00   | Nut                       | 1   | M14  |
| 42   |         | GR40SMT16B100LGV | Oil pump                  | 1   |  |
| 43   |         | 01365 14000 00   | Washer                    | 1   | 14   |
| 44   |         | 01307 14050 00   | Bolt                      | 1   | M14×50   |
| 45   |         | 01306 10035 00   | Bolt                      | 1   | M10×35   |

# Cabinet

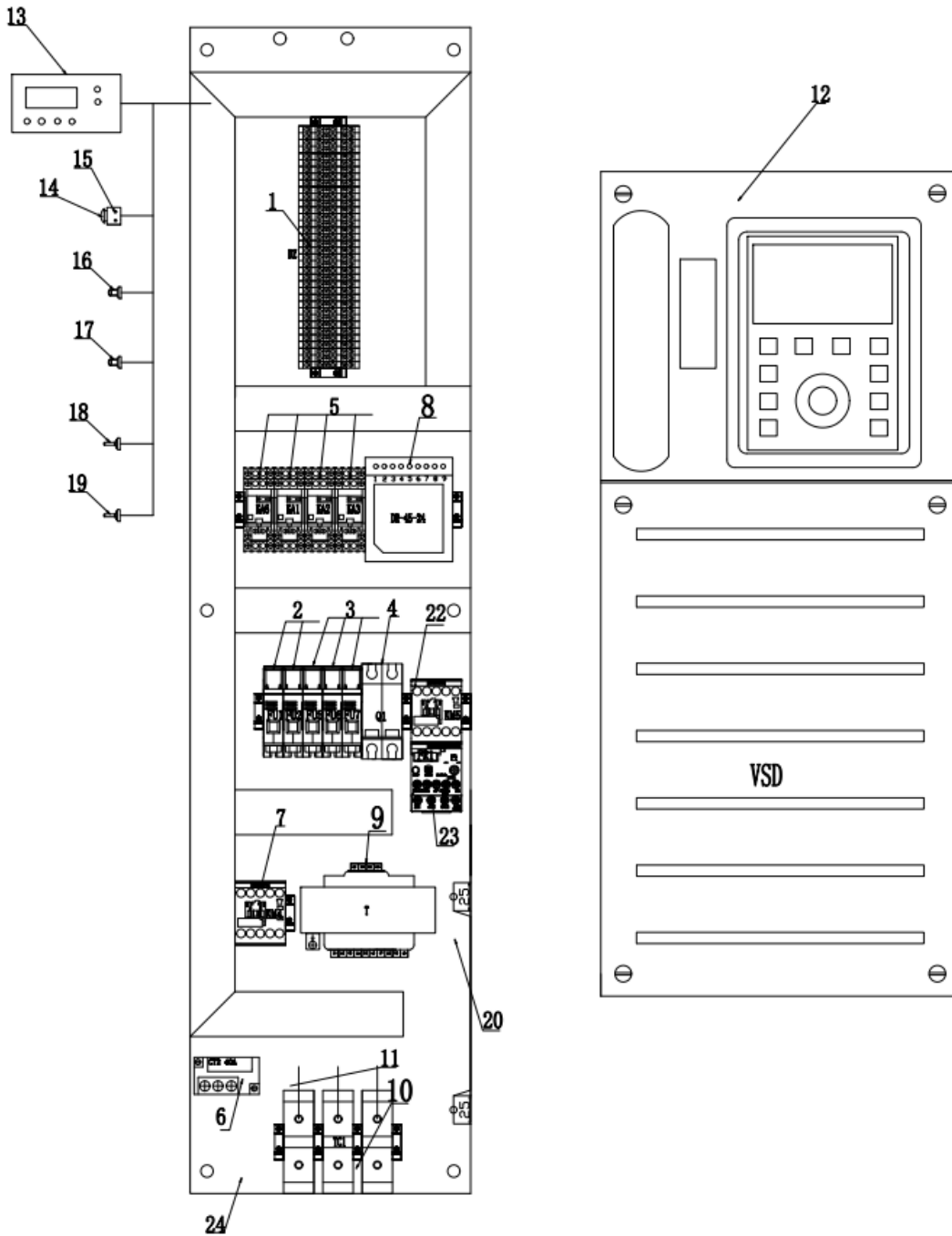
---



## Cabinet

| NO. | VERSION | PN             | DESCRIPTION                 | QTY | REMARK                     |
|-----|---------|----------------|-----------------------------|-----|----------------------------|
| 1   | S01     | 91031 08190 01 | Door                        | 1   |                            |
| 2   | S01     | 91031 08290 01 | Support                     | 1   |                            |
| 3   | S01     | 91231 08220 01 | Electrical enclosure        | 1   |                            |
| 4   | S01     | 91031 08300 01 | Air inlet mesh plate        | 1   |                            |
| 5   | S01     | 91031 08340 01 | Door                        | 1   |                            |
| 6   | S01     | 91031 08160 01 | Beam                        | 1   |                            |
| 7   | S01     | 91031 08330 01 | Door                        | 1   |                            |
| 8   | S01     | 91031 08006 01 | Beam                        | 1   |                            |
| 9   | S01     | 91031 08440 01 | Support                     | 2   |                            |
| 10  | S01     | 91031 08002 01 | Support                     | 1   |                            |
| 11  | S01     | 91031 08007 01 | Beam                        | 1   |                            |
| 12  | S01     | 91031 08140 01 | Beam                        | 1   |                            |
| 13  | S01     | 91031 08004 01 | Support                     | 1   |                            |
| 14  | S01     | 91031 08100 01 | Door                        | 2   |                            |
| 15  | S01     | 91031 08260 01 | Top cover                   | 1   |                            |
| 16  | S01     | 91031 08250 01 | Top cover                   | 1   |                            |
| 17  | S01     | 91031 08430 01 | Baffle                      | 1   |                            |
| 18  | S01     | 91031 08280 01 | Cooler seal plate           | 1   |                            |
| 19  | S01     | 91031 08270 01 | Top mesh plate              | 1   |                            |
| 20  | S01     | 16031 08290 00 | Air filter plate            | 1   |                            |
| 21  | S01     | 91031 08130 01 | Door                        | 2   |                            |
| 22  |         | 02702 84301 00 | Lock                        | 4   |                            |
| 23  | S01     | 91031 08350 01 | Support                     | 1   |                            |
| 24  | S01     | 91031 08380 01 | Door                        | 1   |                            |
| 25  |         | 02702 71111 03 | Lock                        | 2   |                            |
| 26  | S01     | 91231 08370 01 | Door                        | 1   |                            |
| 27  | S01     | 91031 08360 01 | Beam                        | 1   |                            |
| 28  | S01     | 91031 08390 01 | Beam                        | 1   |                            |
| 29  | S01     | 91031 08400 01 | Motor air inlet             | 1   |                            |
| 30  | S01     | 91031 08200 01 | Air box                     | 1   |                            |
| 31  |         | 02701 20601 00 | Hinge                       | 26  |                            |
| 32  | S01     | 91031 08008 01 | Beam                        | 1   |                            |
| 33  | S01     | 91031 08170 01 | Beam                        | 1   |                            |
| 34  | S01     | 91031 08310 01 | Beam                        | 1   |                            |
| 35  | S01     | 87031 08410 01 | Door                        | 1   |                            |
| 36  | S01     | 91031 08001 01 | Support                     | 1   |                            |
| 37  |         | 02702 22200 00 | Hinge                       | 2   |                            |
| 38  |         | 02702 84301 00 | Lock                        | 10  |                            |
| 39  | S01     | 91031 08420 01 | Support                     | 1   |                            |
| *   |         | 07706 09805 05 | Frame VSD cabinet filter    | 2   | *Not shown on the drawing. |
| *   |         | 07706 98052 00 | Frame VSD cabinet filter    | 2   |                            |
| *   |         | 07211 22081 40 | VSD Vent Fan                | 2   |                            |
| *   |         | 160004-001     | VSD cabinet filters element | 1   |                            |

# Electrical Enclosure



## Electrical Enclosure

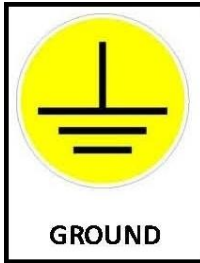
| NO. | PN                         | DESCRIPTION                        | QTY  | REMARK      |
|-----|----------------------------|------------------------------------|------|-------------|
| 1   | 08703 00004 00             | Terminal block                     | 35   | DZ          |
| 2   | 02820 00001 00             | Fuse block                         | 2    | FU1-FU2     |
| 3   | 02820 00001 00             | Fuse block                         | 3    | FU5-FU7     |
| 4   | 02819 06526 00             | Miniature breaker                  | 1    | Q1          |
| 5   | 02814 00002 00             | Intermediate relay seat            | 4    | KA1-KA3;KA6 |
|     | 02814 01102 00             | Intermediate relay                 | 4    |             |
| 6   | 02824 20040 00             | Fan motor current transformer      | 1    | CT2         |
| 7   | 02825 60038 00             | Fan motor contactor                |      | KM4         |
| 8   | 02808 04524 00             | Power switch                       | 1    | DR          |
| 9   | 02818 03150 10             | Transformer                        | 1    | T           |
| 10  | 08703 00050 00             | Terminal                           | 3    | TC1         |
| 11  | 08704 04025 00             | Cable                              | 1.8M | BVR         |
| 12  | 02828 01037 04             | VSD                                | 1    | VSD         |
| 13  | 02811 16014 37             | Monitor                            | 1    | XSQ         |
| 14  | 02827 04844 00             | Emergency button                   | 1    | JT          |
| 15  | 02827 04104 00             | Emergency button seat              | 1    | JT          |
| 16  | 02810 01082 00             | Pressure sensor                    | 1    | DP          |
| 17  | 02810 01572 00             | Pressure sensor                    | 1    | SP          |
| 18  | 02810 01096 00             | Pressure sensor                    | 1    | IP          |
| 19  | 02810 30965 00             | Temperature sensor                 | 1    | DT          |
| 20  | 02829 32020 60             | Grounding copper bar               | 1    | JDTP        |
| 22  | 02825 60038 00             | Fan motor contactor                | 1    | KM5         |
| 23  | 02814 36116 16             | Cooling fan thermal overload relay | 1    | FR1         |
| 24  | KRSVBP50.9-8(250*1040*2.5) | Electrical control board           | 1    | DKB         |
| *25 | 02821 10004 00             | Fuse                               | 2    | FU1-FU2     |
| *26 | 02821 10002 00             | Fuse                               | 3    | FU5-FU7     |

Note: \* Items are not shown on the drawing.

## Decals

---

Decals information is shown as following.



## Decals

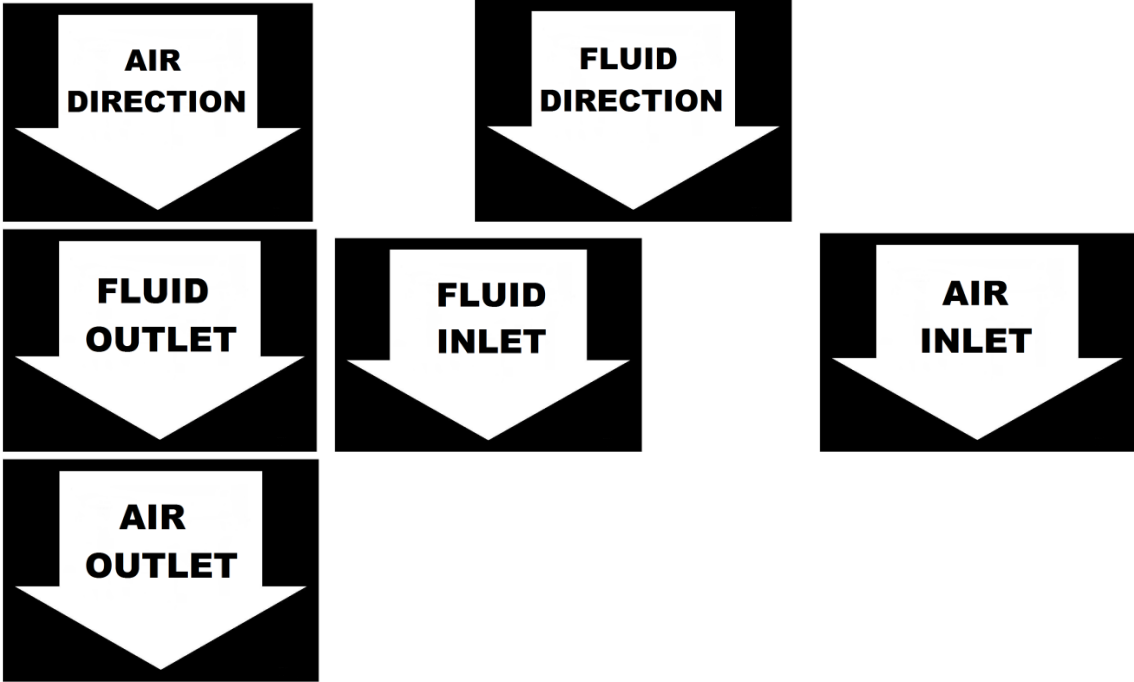


### NOTE:

1. DECALS P/N : 142939



# Decals



NOTE:

- 1. DECALS P/N : 142939

## Standard Terms and Conditions

---

These terms and conditions govern the sale of Products (“Rotary Screw Air Compressors and parts”) and provisions of services by Kaishan Compressor USA, LLC (Seller) and its authorized representative or buyer. These terms and conditions (“Agreement”) take precedence over Buyer’s supplemental or conflicting terms and conditions to which notice of objection is hereby given. Neither Seller’s commencement of performance or delivery shall be deemed or construed as acceptance of Buyer’s supplemental or conflicting terms and conditions. KCA’s failure to object to conflicting or additional terms will not change or add to the terms of this agreement. Buyer’s acceptance of the Products and/or Services from Seller shall be deemed to constitute acceptance of the terms and conditions contained herein.

**Orders:** All orders placed by Buyer are subject to acceptance by Seller. Orders may not be canceled or rescheduled without Seller’s written consent. All orders must identify the products, unit quantities, part numbers, applicable prices and requested delivery dates of the Products being purchased. Seller may at its sole discretion allocate Product among its Buyer. Seller may designate certain Products and Services as non-cancelable, non-returnable and the sale of such Products shall be subject to the special terms and conditions contained in Seller’s Customer Acknowledgement or Non-Returnable Product Form, which shall prevail and supersede any inconsistent terms and conditions contained herein or elsewhere.

**Prices:** The prices of the Products are those prices specified on the front of the invoice or contained within an agreed written contract. Price quotations shall automatically expire in thirty (30) days from the date issued, or as otherwise stated in the quotation.

**Taxes:** Unless otherwise agreed to in writing by Seller, all prices quoted are exclusive of transportation and insurance costs, duties, and all taxes including federal, state and local sales, excise and value added, goods and services taxes, and any other taxes. Buyer agrees to indemnify and hold Seller harmless for any liability for tax in connection with the sale, as well as the collection or withholding thereof, including penalties and interest thereon. When applicable, transportation and taxes shall appear as separate items on Seller’s invoice.

**Payment:** Payment may be made by check, money order, credit card, or wire transfer (all fees are borne by the Buyer). Where Seller has extended credit to Buyer, terms of payment shall be net thirty (30) days from date of invoice, without offset or deduction. On any past due invoice, Seller may impose a monthly interest rate. If Buyer fails to make the required payments the Seller will impose the interest rate each month. If Buyer fails to make each payment when it is due, Seller reserves the right to withdraw credit and thereby suspend or cancel performance under any or all purchase orders or agreements in which Seller has extended credit to Buyer. In the event of default by Buyer, Seller shall be entitled to costs, fees, and expenses including but not limited to recovery of attorney fees, court costs and fees, and collections costs.

## Standard Terms and Conditions

---

**Delivery and Title:** The locations of shipment delivery will be made according to the Seller and Buyer agreement. Title and risk of loss pass to the Buyer upon delivery of the Product to the carrier. Seller's delivery dates are estimates only and Seller is not liable for delays in delivery or for failure to perform due to causes beyond the reasonable control of the Seller, nor shall the carrier be deemed an agent of the Seller. A delayed delivery of any part of an Order does not entitle Buyer to cancel other deliveries. KCA will comply with various federal, state and local laws and regulation concerning occupational health, safety and environment concerns. Buyer has full responsibility to comply with those laws and regulations during the installation and operation of the equipment.

**Acceptance / Returns:** Shipments will be deemed to have been accepted by Buyer upon delivery of the said shipments to Buyer unless rejected upon receipt. Buyer shall perform all inspections and tests. Buyer deems necessary as promptly as possible but in no event later than 7 days after receipt of Products, at which time Buyer will be deemed to have irrevocably accepted the Products. Any discrepancy in shipment quantity must be reported within 7 days after receipt of Products. Buyer may not return Products without a Return Material Authorization ("RMA") number. RMA's valid for 30 days from the date issued.

**Standard Warranty:** Buyer will honor Product warranties and indemnities authorized by the manufacturer, including any transferable. 90 days warranty is given for service parts from receipt date. Seller warrants to Buyer that Products purchased hereunder will conform to the applicable manufacturer's specifications for such products and that any value-added work performed by Seller on such Products will conform to applicable Buyer's specifications. If Seller breaches this warranty, Buyer's remedy is limited to (at Seller's election) (1) refund of Buyer's purchase price for such Product (without interest), (2) repair of such Products, or (3) replacement of such Products provided that such Products must be returned to Seller, along with acceptable evidence of purchase within 13 days from date of delivery, transportation charges prepaid. No warranty will apply if the Product has been subject to misuse, neglect, accident or modification.

**Limitation of Liabilities:** Buyer shall not be entitled to, and Seller shall not be liable for, loss of profit or revenue, promotional or manufacturing expenses, overheads expenses, business interruption cost, loss of data, removal or reinstallation costs, injury to reputation of buyer, punitive damages, loss of contractor orders or any indirect, special, incidental or consequential damages of any nature. Buyer's recovery from seller for any claim shall not exceed the purchase price paid for the affected products irrespective of the nature of the claim whether in contract, tort, warranty, or otherwise. Buyer will indemnify, defend and hold seller harmless from any claims based on (a) Seller's compliance with buyer's designs, specifications, or instructions, (b) Modification of any products by anyone other than Seller, or (c) use in combination with other products not supplied by seller.

## Standard Terms and Conditions

---

**Use of Products:** Unless otherwise specified. Products sold by Seller are not designed, intended or authorized for use in life support, life sustaining, nuclear, or other applications in which the failure of such Products could reasonably be expected to result in personal injury, loss of life or catastrophic property damage. If buyer uses or sales the Products for use in any such applications: (1) Buyer acknowledges that such use or sale is at Buyer's sole risk; (2) Buyer agrees that Seller and the manufacturer of the Products are not liable, in whole or in part, for any claim or damage arising from such use; and (3) Buyer agrees to indemnify, defend and hold Seller and the manufacturer of the Products harmless from and against any and all claims, damages, losses, costs, expenses and liabilities arising out of or in connection with such use or sale.

**Force Majeure:** Seller is not liable for failure to fulfill its obligations for any accepted Order or for delays in delivery due to causes beyond Seller's reasonable control including, but not limited to, acts of God, natural or artificial disaster, riot, war, strike, delay by carrier, shortage of Product, acts or omissions of other parties, acts or omissions of civil or military authority, Government priorities, changes in law, material shortages, fire, strikes, floods, epidemics, quarantine restrictions, acts of terrorism, delays in transportation or inability to obtain labor, materials or products through its regular sources, which shall be considered as an event of force majeure excusing Seller from performance and barring remedies for non-performance. In an event of force majeure condition, the Seller's time for performance shall be extended for a period equal to the time lost as a consequence of the force majeure condition without subjecting Seller to any liability or penalty. Seller may, at its option, cancel the remaining performance, without any liability or penalty, by giving notice of such cancellation to the Buyer.

**General:** (a) Seller will comply with state law for any dispute from buyer. (b) Buyer may not assign this Agreement without the prior written consent of Seller. Seller or its affiliates may perform the obligations under this Agreement. This Agreement is binding on successor and assigns, (c) Products, including software or other intellectual property, are subject to any applicable rights of third parties, such as patents, copyrights and/or user licenses.

## **Appendix**

*(If your machine is standard, this page is blank.)*

## Contact Information

---

Kaishan Compressor, LLC.,  
Add.: 15445 Industrial Park Dr., Loxley, AL, Post code: 36551  
Office number: +1 251-202-0577  
[www.KaishanUSA.com](http://www.KaishanUSA.com)