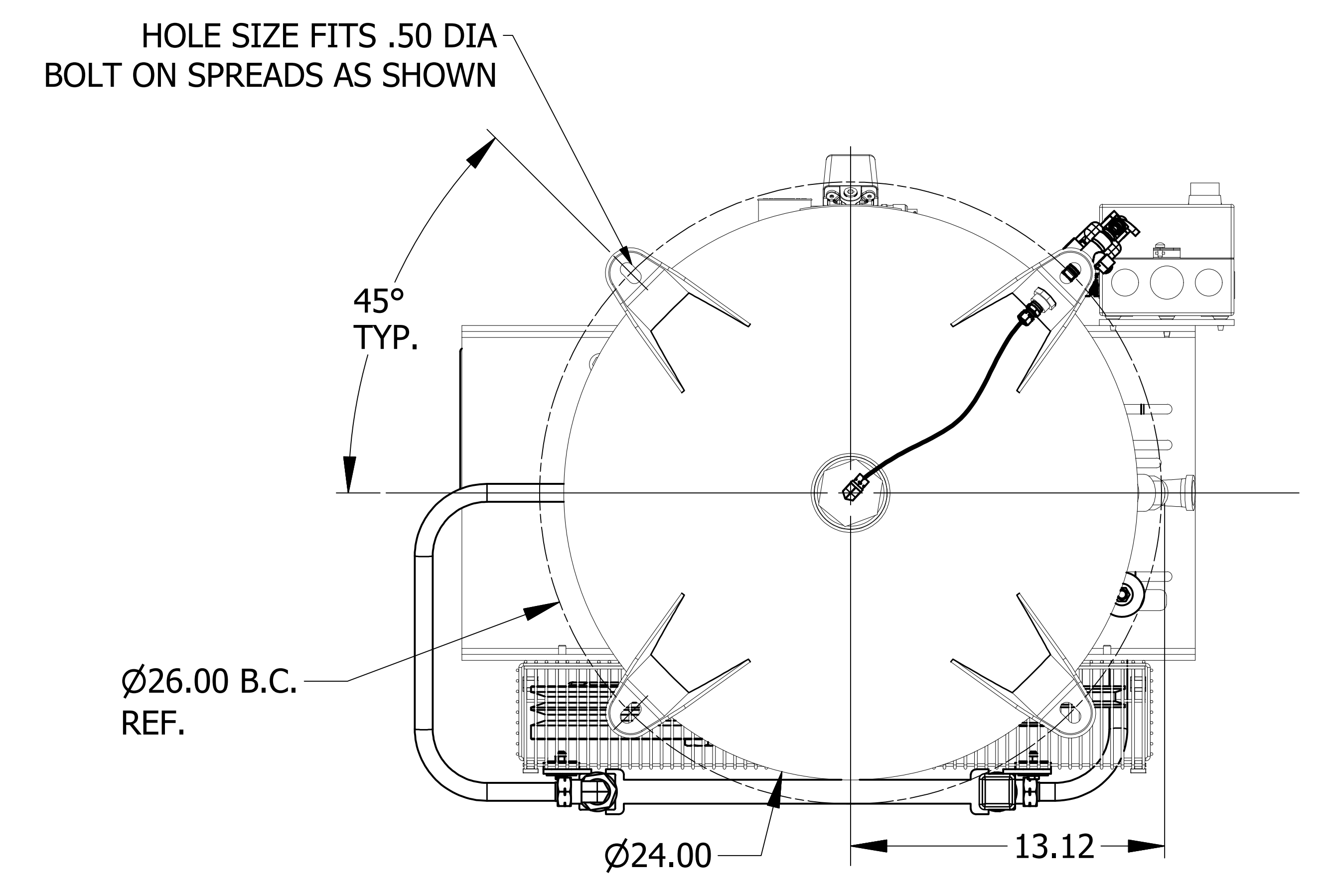
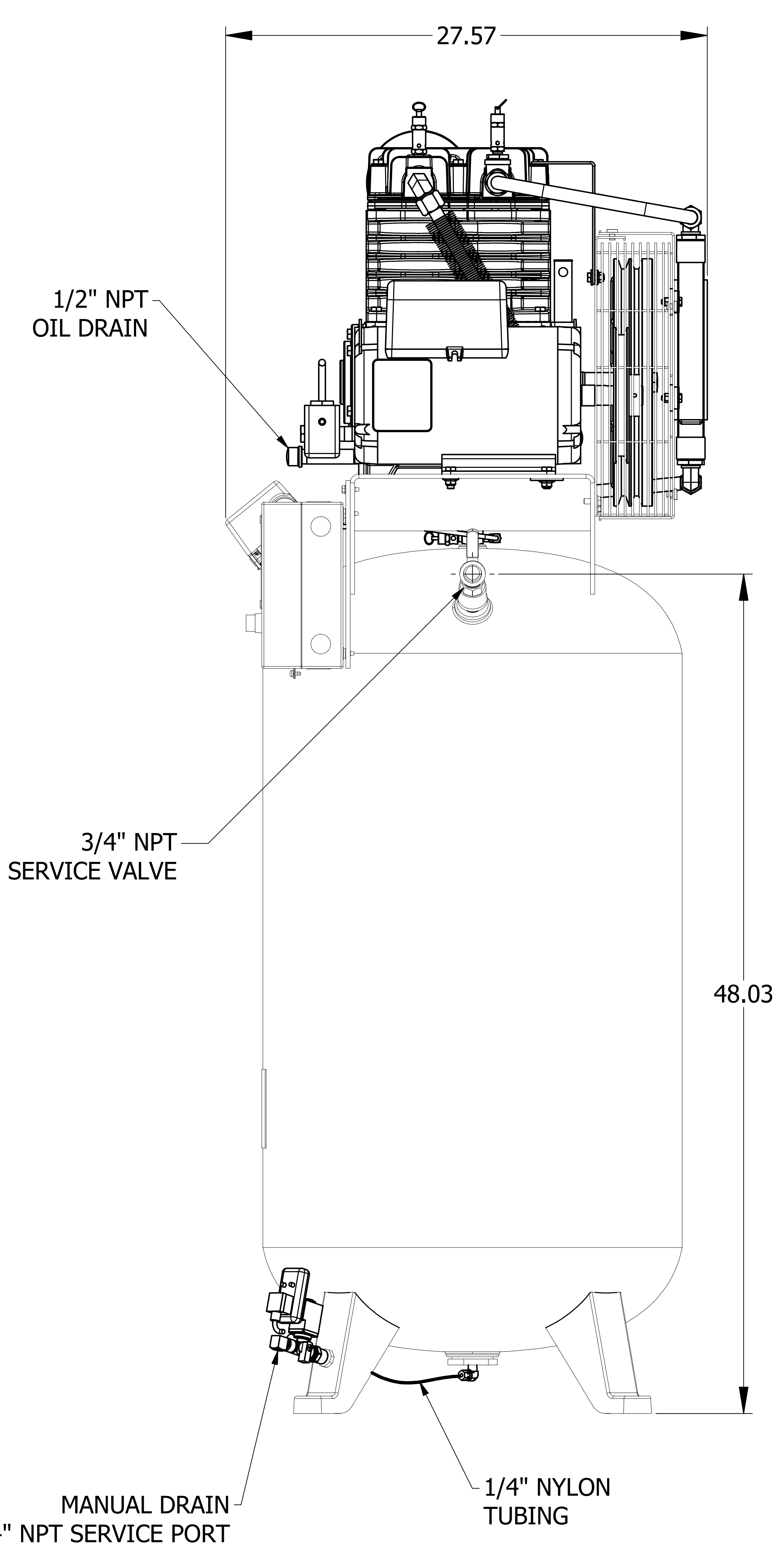
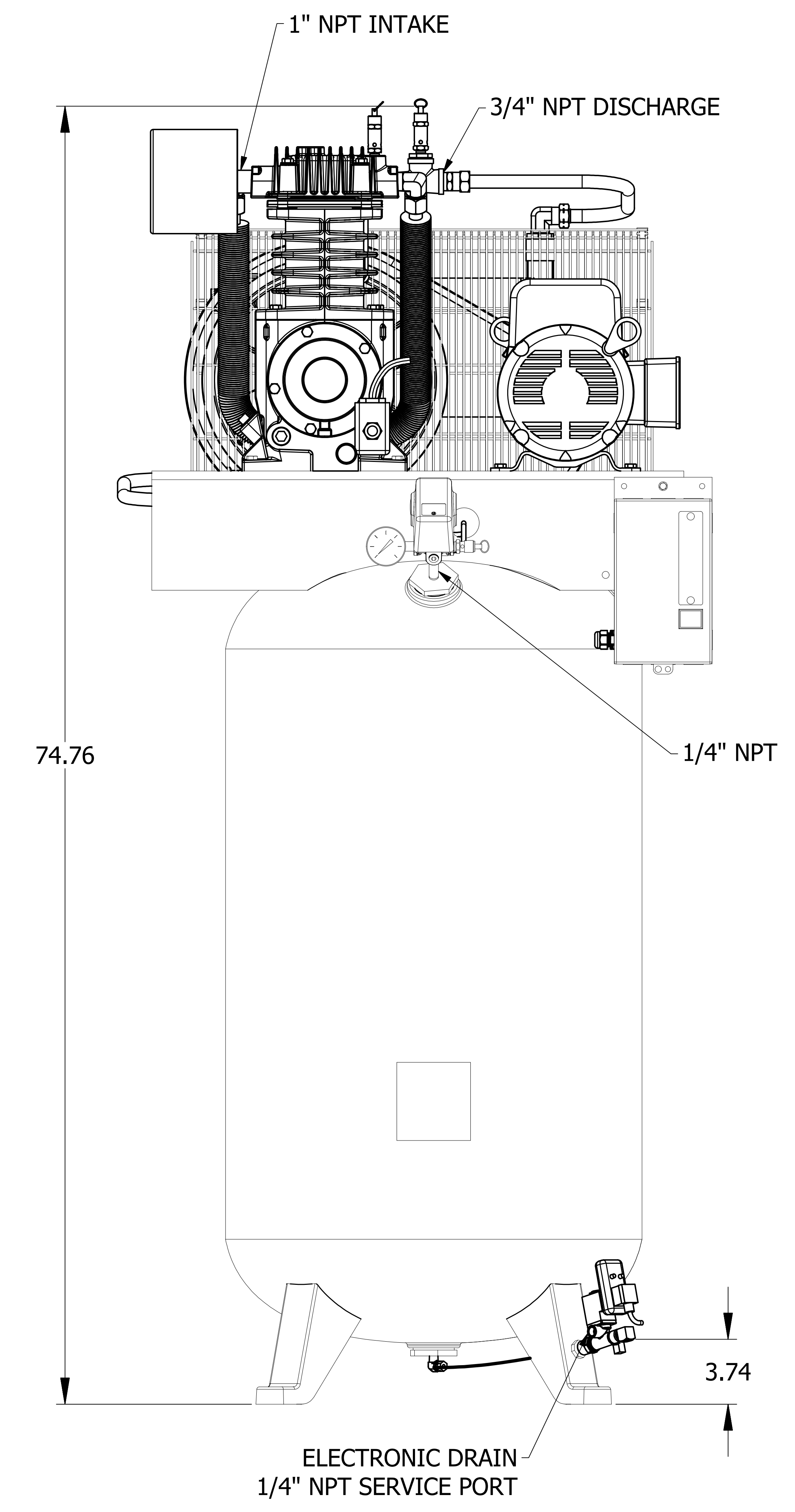
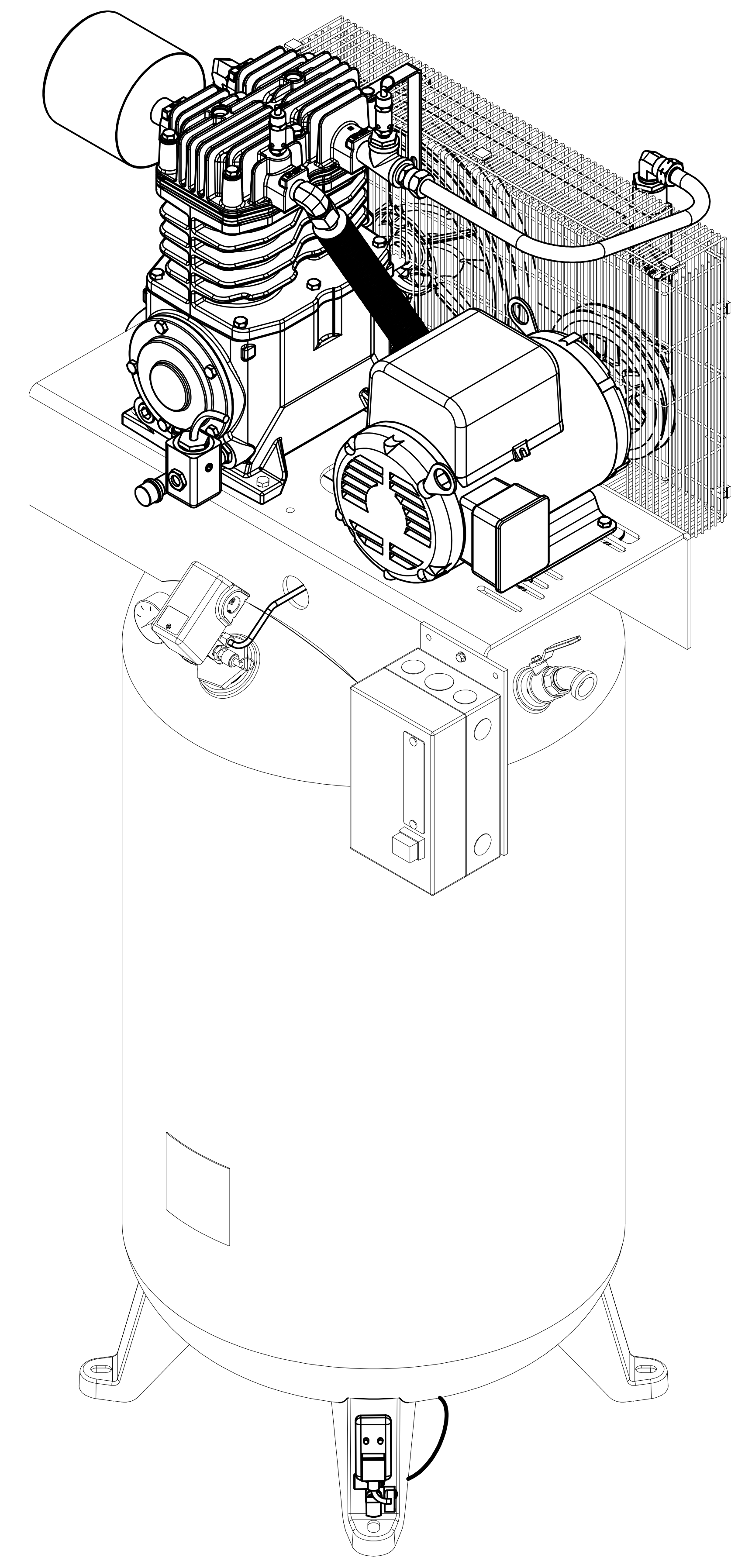


NOTES:  
 1) ALL DIMENSIONS GIVEN IN INCHES.  
 2) ALLOW A MINIMUM OF 12 INCHES ON ALL SIDES FOR SERVICE AND COOLING.



Name: DRAWING, DIM, QT-5 MAX, 80V		Scale: 1/4"		Family: INV		E: Similar to		Drawn by: LUTY	
Material: Not Applicable		Drawn by: ufybweaker		Make From:		Replaces:		Date: 3/1/2018	
Finish: Not Applicable		Version: 01		Part No: 2022035008		Rev: 0		Sheet: 1 of 1	
Parent 3D model: 2022035008		Ed: Version 3D		Approved: Internal		Prod. checked:		Date: 3/1/2018	
								2022035009	