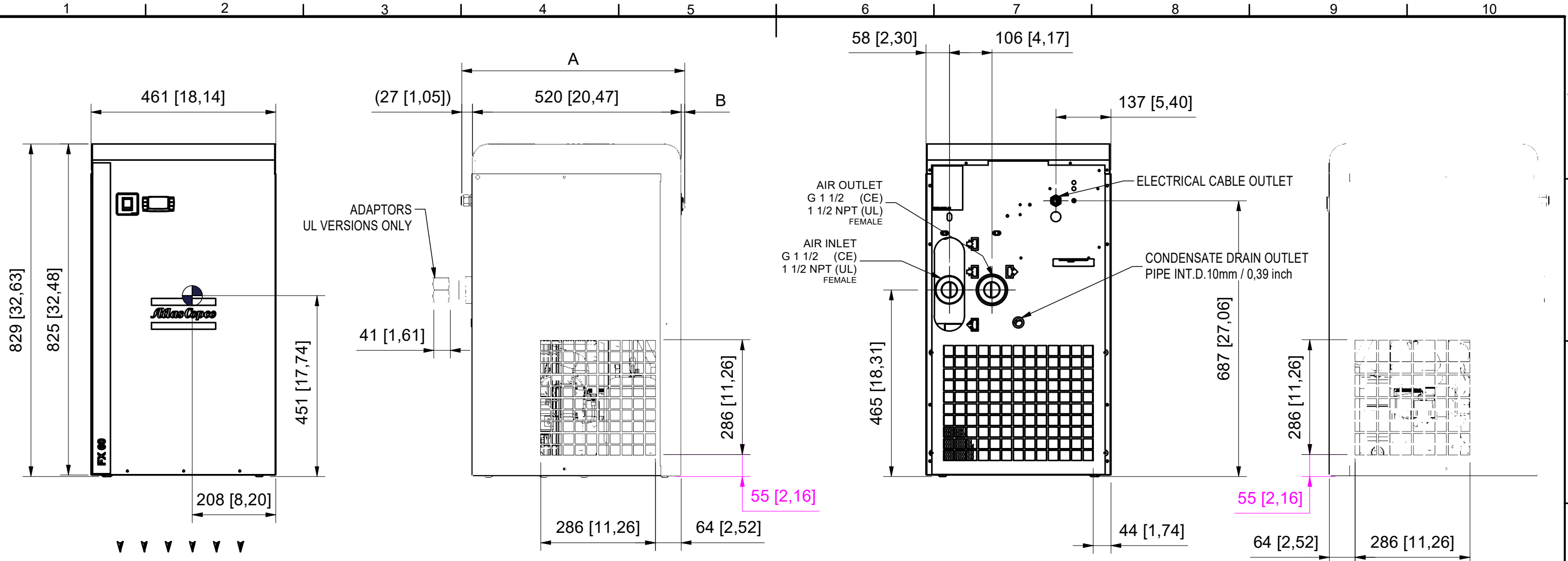


CONFIDENTIAL:

This document is property of Atlas Copco AB and shall not without our permission be altered, copied, used for manufacturing or communicated to any other person or company.

All materials supplied are in compliance with the requirements of the List of Prohibited Substances



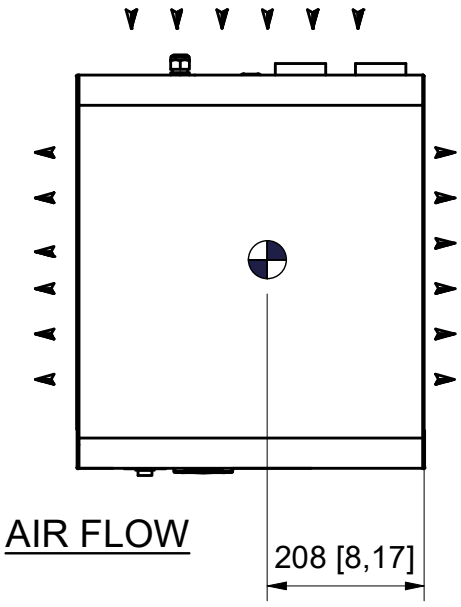
ADAPTORS
UL VERSIONS ONLY

AIR OUTLET
G 1 1/2 (CE)
1 1/2 NPT (UL)
FEMALE

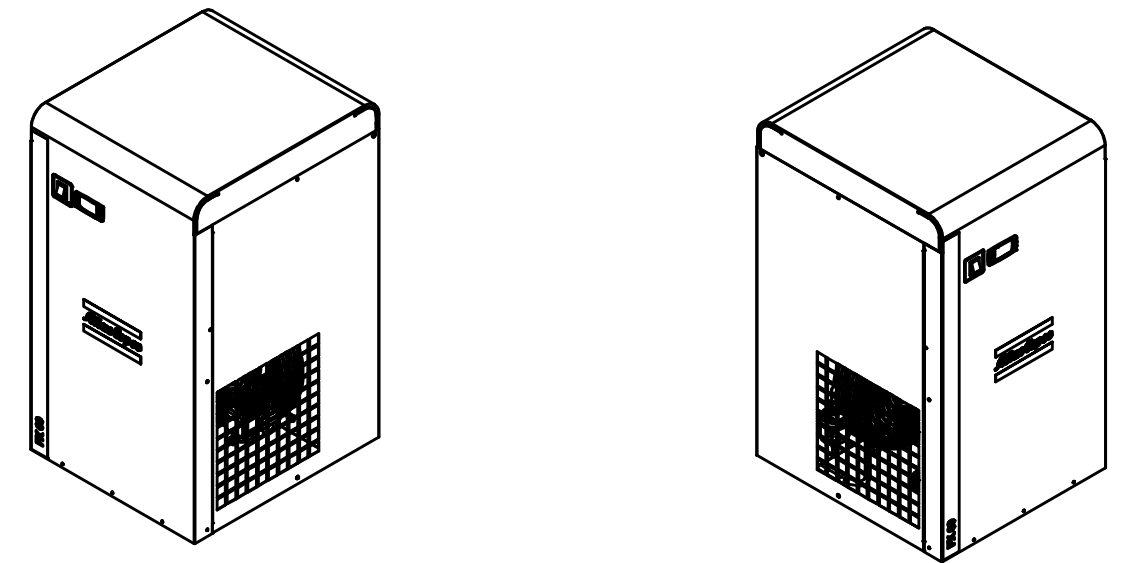
AIR INLET
G 1 1/2 (CE)
1 1/2 NPT (UL)
FEMALE

ELECTRICAL CABLE OUTLET

CONDENSATE DRAIN OUTLET
PIPE INT.D.10mm / 0,39 inch



DRYER VERSION	A (mm / inch)	B (mm / inch)
CE	557 / 21,9	10 / 0,39
UL	574 / 22,6	27 / 1,06



CENTER OF GRAVITY

ALL DIMENSIONS: mm [inch]

01

Tolerances, if not indicated, according to:		ATLAS COPCO STANDARD CLASS											
Name	DIMENS. DRAWING	FX60-70-90	Confidentiality Class acc. to 1102 K										
Material	Not applicable	FX41N-48N-61N-69N	Internal										
Treatment	Not Applicable		INV										
	Scale	1:10	Family	DRYERS FX, FX N	Compare	9828084210	Drawing Owner	Transferred from					
	Drawn by	sgraser	Blank nr.		Replaces								
STATUS	Drawing format	Blank wt	0 Kg	Fini wt.	see ATR	Designation	Sheet	1 / 1					
Ed	Position	Modified from	Date	Intr./Appd.	Parent 3D model	Ed . Version 3D	Approved Internal	Des checked.	Prod checked.	Approved.	Date	17-07-20	9828084213

01		Added FX N models. CID.27729, DN20054181	31-10-20	CAlebettin	9828084213	
Ed	Position	Modified from	Date	Intr./Appd.	Parent 3D model	Ed . Version 3D