

093J00

Illustrated Parts List

Model Series

093J00

TYPE NUMBER
0001 through 0081.

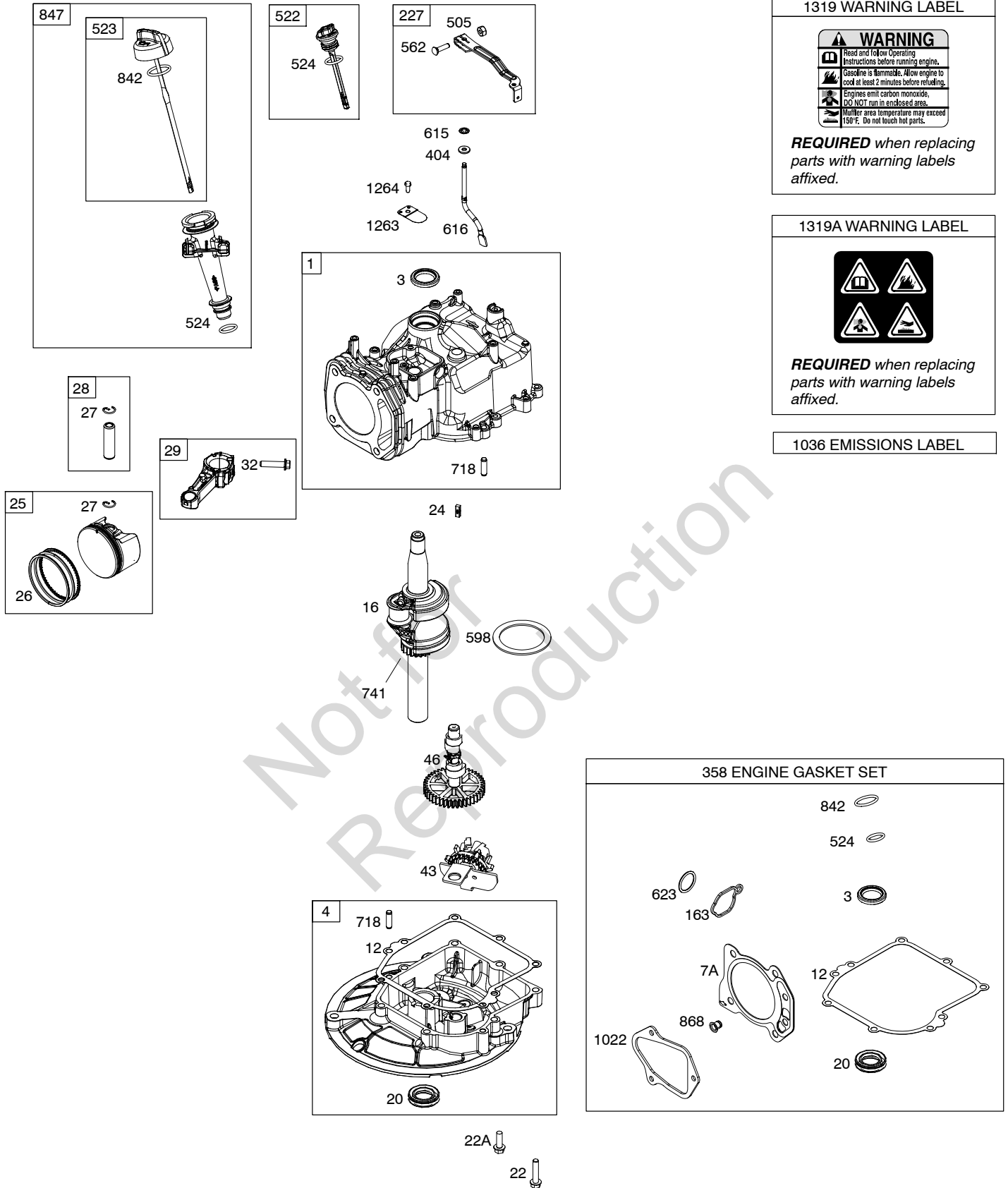
TABLE OF CONTENTS

Air Cleaner	3
Armature	8
Blower Housing	6
Camshaft	2
Carburetor	4
Controls	8
Crankshaft	2
Cylinder	2
Cylinder Head	3
Electrical System	8
Exhaust System	5
Flywheel	7
Fuel Supply	5
Gasket Set	2
Governor Spring	8
Ignition	8
Piston/Rings/Connecting Rod	2
Rewind Starter	6
Spark Plug	8
Sump	2
Warning Label	2

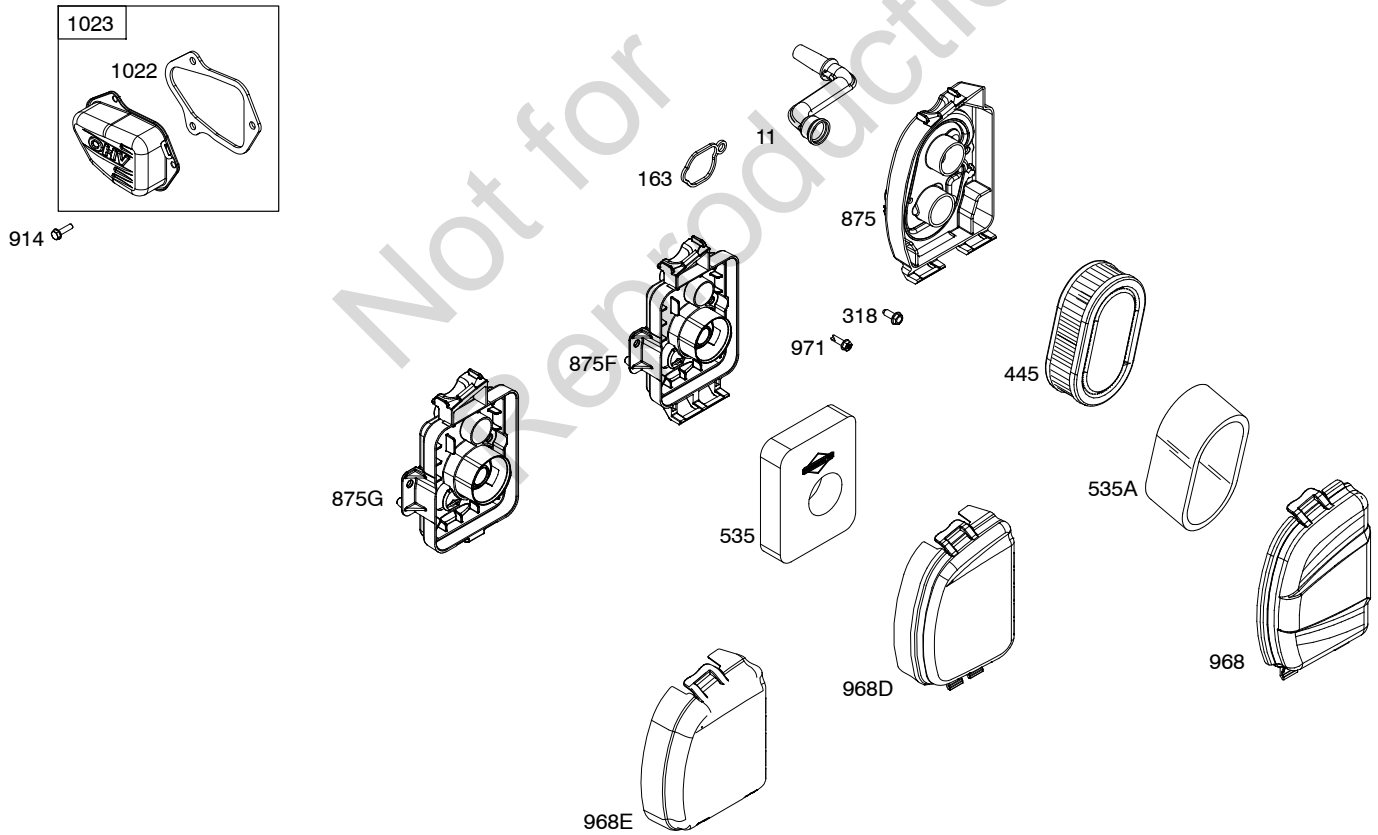
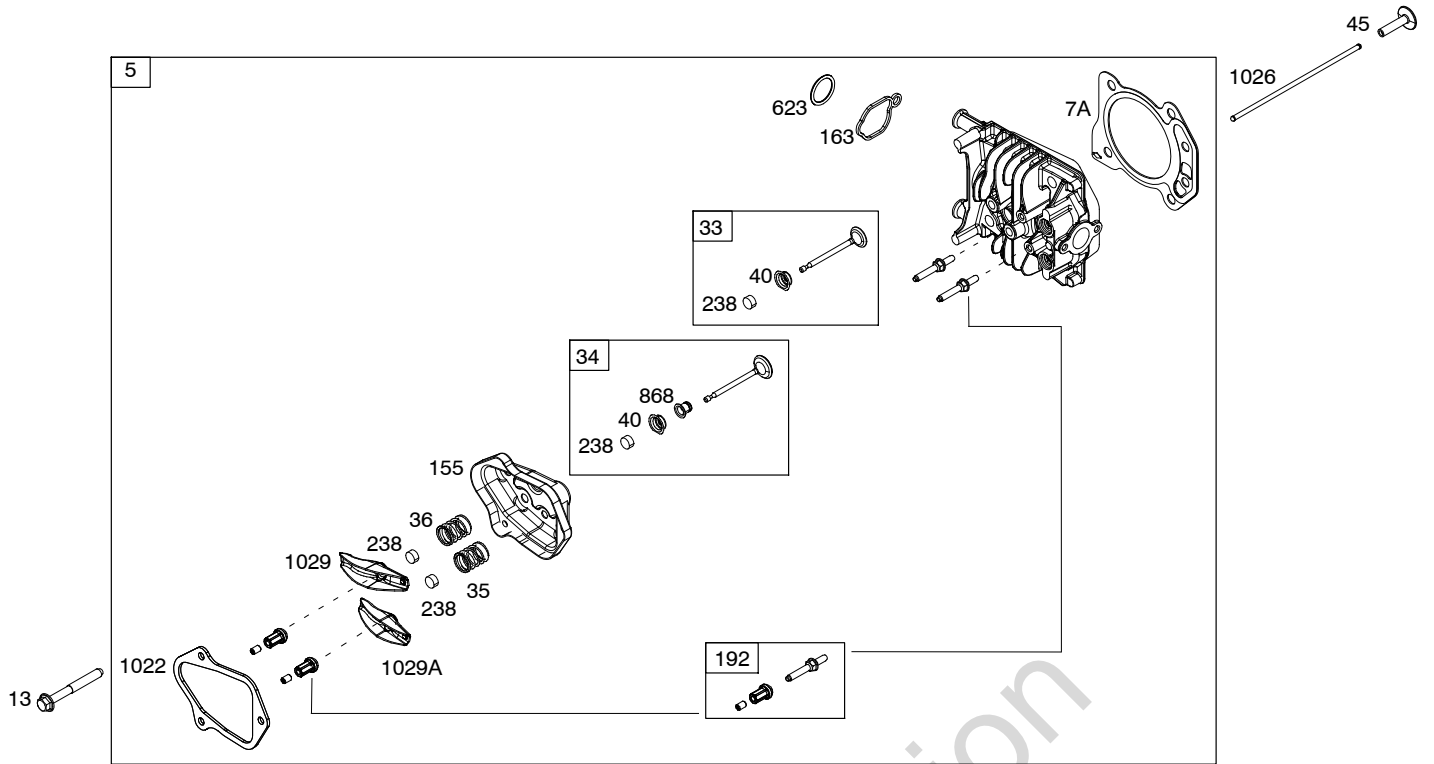


PRINTED IN U.S.A.

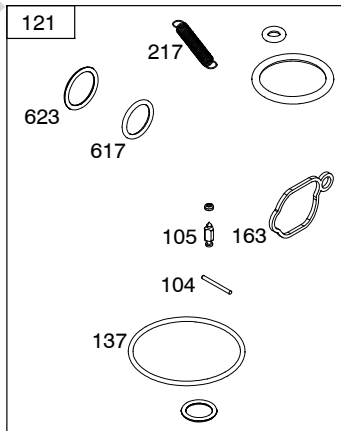
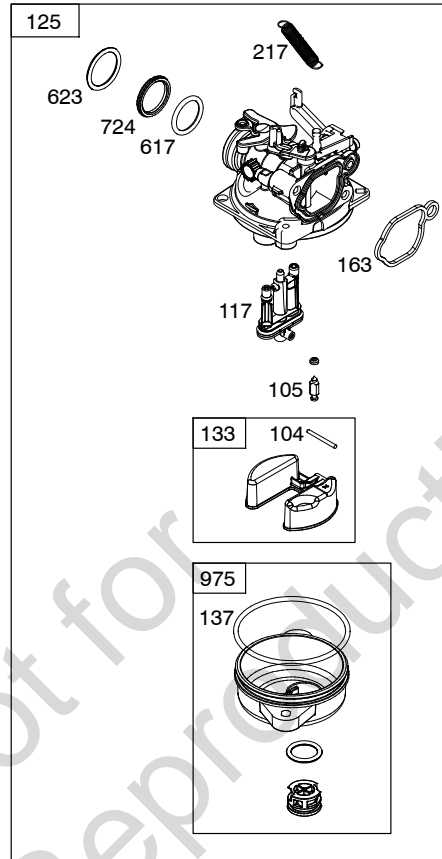
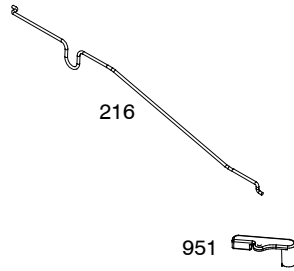
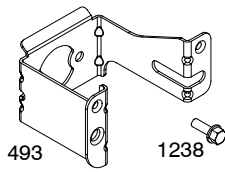
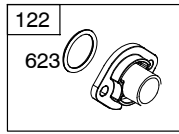
COPYRIGHT by BRIGGS & STRATTON CORPORATION
All rights reserved. No part of this material may be reproduced or transmitted,
in any form or by any means, electronic or mechanical, including photocopying,
recording or by any information storage and retrieval system, without permission
in writing from Briggs & Stratton Corporation.



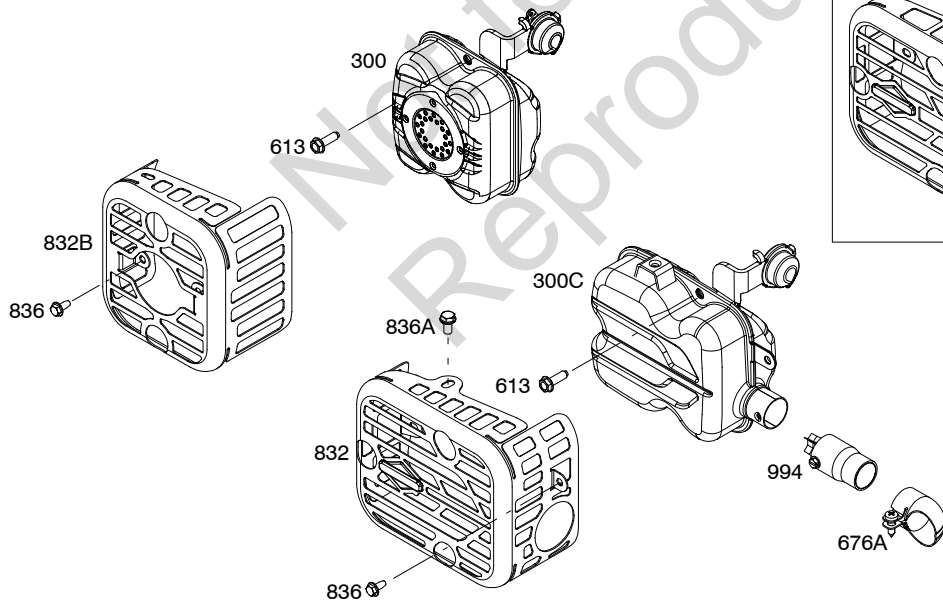
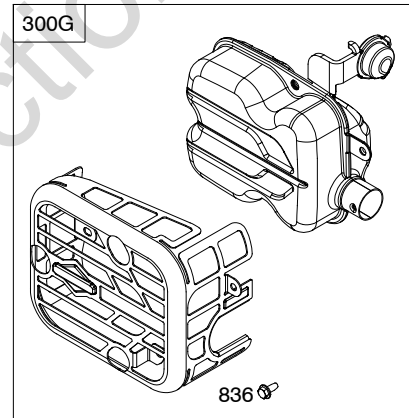
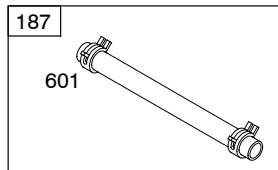
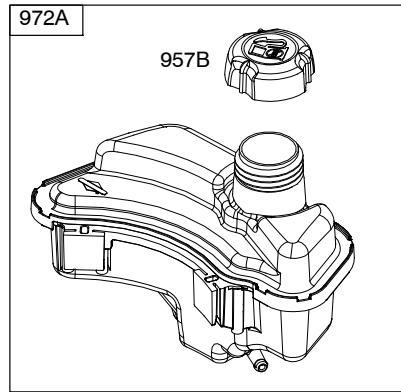
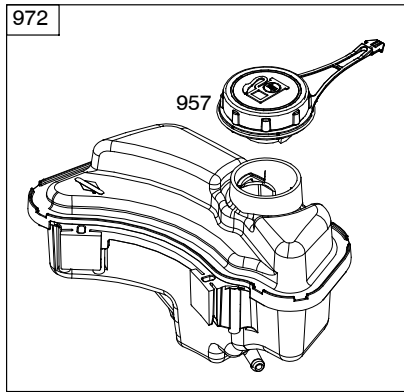
Illustrations cover a range of engines. Parts shown without text may not be used on your specific engine.



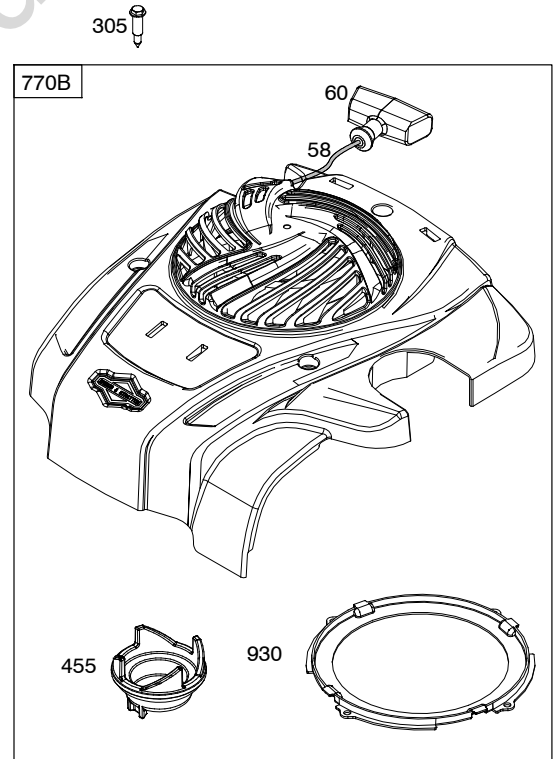
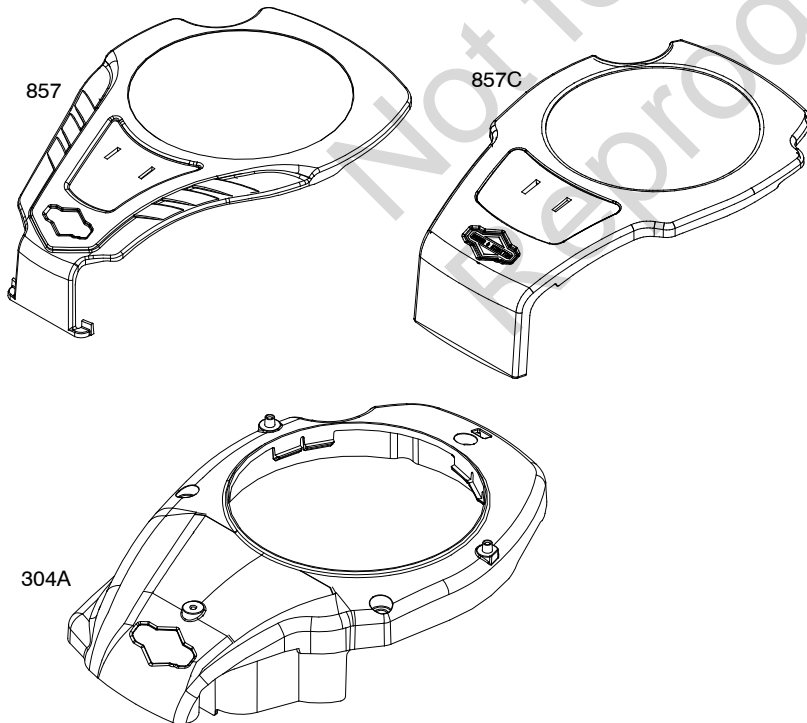
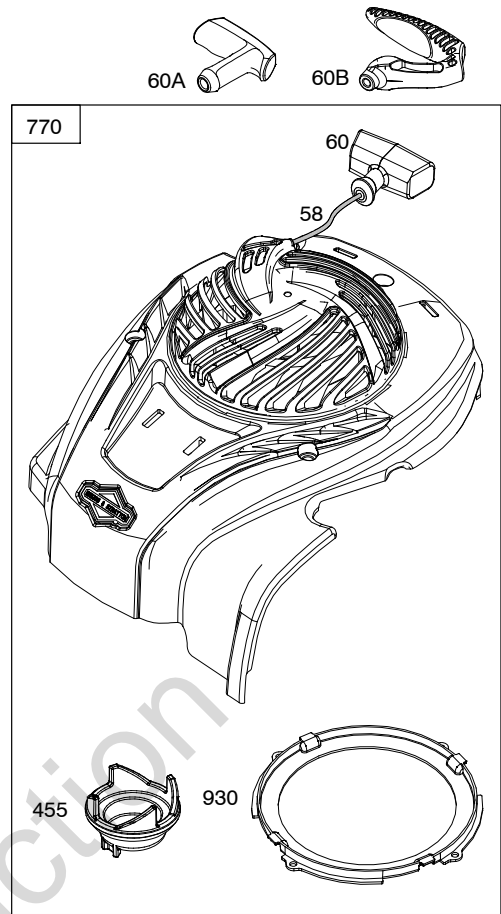
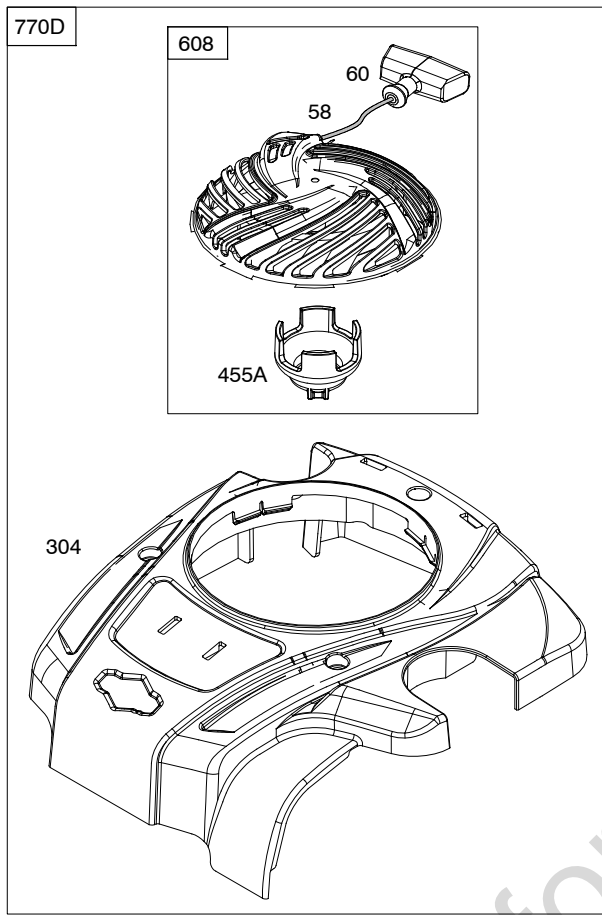
Illustrations cover a range of engines. Parts shown without text may not be used on your specific engine.



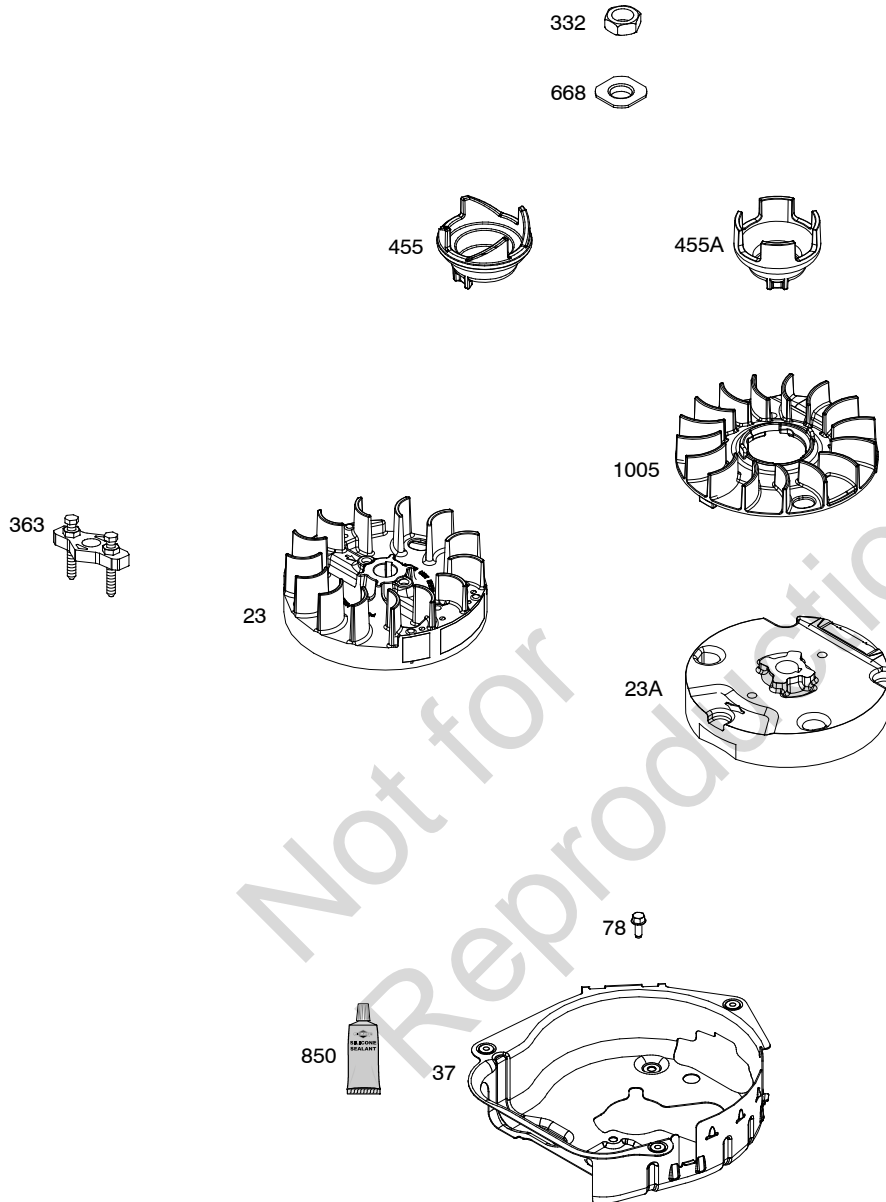
Illustrations cover a range of engines. Parts shown without text may not be used on your specific engine.



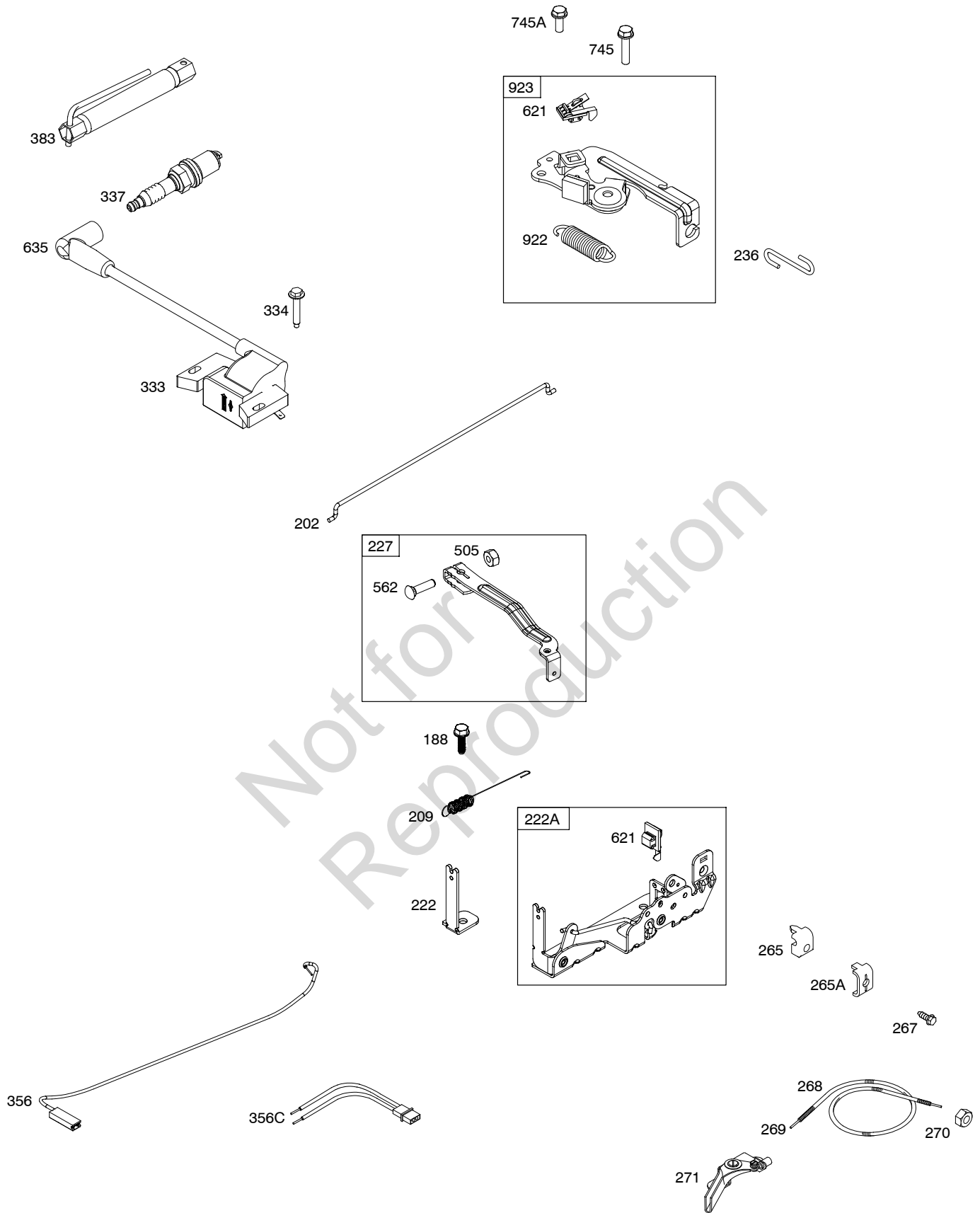
Illustrations cover a range of engines. Parts shown without text may not be used on your specific engine.



Illustrations cover a range of engines. Parts shown without text may not be used on your specific engine.



Illustrations cover a range of engines. Parts shown without text may not be used on your specific engine.



Illustrations cover a range of engines. Parts shown without text may not be used on your specific engine.

REF. NO.	PART NO.	DESCRIPTION	REF. NO.	PART NO.	DESCRIPTION	REF. NO.	PART NO.	DESCRIPTION
1	592359	Cylinder Assembly			0053, 0054, 0057,	20	399781S	Seal-Oil
3	299819s	Seal-Oil (Magneto Side)			0059, 0060, 0061,			(PTO Side)
4	594101	Sump-Engine (Used After Code Date 15100100)			0063, 0064, 0065,			(Used After Code Date 15100100)
4	590569	Sump-Engine (Used Before Code Date 15100200)			0067, 0068, 0070,	20	391483S	Seal-Oil
5	592641	Head-Cylinder			0072, 0073, 0074,			(PTO Side)
7A	592358	Gasket-Cylinder Head			0077.			(Used Before Code Date 15100200)
11	590522	Tube-Breather			595488 Crankshaft (Used After Code Date 15100100)	22	692551	Screw
12	799587	Gasket-Crankcase			Used on Type No(s).			(Crankcase Cover/Sump)
13	590512	Screw (Cylinder Head)			0013, 0017, 0018,	22A	590763	Screw
16	595024	Crankshaft (Used After Code Date 15100100) Used on Type No(s). 0001, 0002, 0003, 0004, 0005, 0006, 0007, 0008, 0009, 0010, 0011, 0012, 0014, 0015, 0019, 0020, 0021, 0022, 0023, 0025, 0027, 0030, 0031, 0032, 0033, 0035, 0039, 0040, 0041, 0042, 0044, 0045, 0046, 0047, 0048, 0049, 0050, 0051, 0052, 0053, 0054, 0057, 0059, 0060, 0061, 0063, 0064, 0065, 0067, 0068, 0070, 0072, 0073, 0074, 0077, 0080.			0026, 0028, 0029, 0034, 0036, 0037, 0038, 0055, 0058, 0062, 0069, 0071, 0075, 0079, 0081.			(Crankcase Cover/Sump)
		----- Note ----- 590538 Crankshaft (Used Before Code Date 15100200) Used on Type No(s). 0001, 0002, 0003, 0004, 0005, 0006, 0007, 0008, 0009, 0010, 0011, 0012, 0014, 0015, 0019, 0020, 0021, 0022, 0023, 0025, 0027, 0030, 0031, 0032, 0033, 0035, 0039, 0040, 0041, 0042, 0044, 0045, 0046, 0047, 0048, 0049, 0050, 0051, 0052,			590537 Crankshaft (Used Before Code Date 15100200) Used on Type No(s). 0013, 0017, 0018, 0024, 0028, 0029, 0034, 0036, 0037, 0038, 0055, 0058, 0062, 0069, 0071, 0075.			23 590544 Flywheel 23A 592005 Flywheel 24 222698s Key-Flywheel 25 595502 Piston Assembly (Standard) (Used After Code Date 15100100)
					590537 Crankshaft (Used Before Code Date 15100200 and After Code Date 14060200). Used on Type No(s). 0026.	25	592360	Piston Assembly (Standard) (Used Before Code Date 15100200)
					590538 Crankshaft (Used Before Code Date 14060300) Used on Type No(s). 0026.			26 592660 Ring Set (Standard)
					595501 Crankshaft (Used After Code Date 15100100) Used on Type No(s). 0016, 0043, 0056, 0076.	27	691588	Lock-Piston Pin
					591152 Crankshaft (Used Before Code Date 15100200) Used on Type No(s). 0016, 0043, 0056, 0076.	28	298909	Pin-Piston (Used After Code Date 15100100)
					595024 Crankshaft Used on Type No(s). 0078.	28	699659	Pin-Piston (Used Before Code Date 15100200)
						29	594089	Rod-Connecting (Used After Code Date 15100100)
								----- Note ----- 590518 Rod- Connecting (Used Before Code Date 15100200) 594089 Rod- Connecting Used on Type No(s). 0078.
						32	691664	Screw (Connecting Rod)
						33	590531	Valve-Exhaust
						34	590530	Valve-Intake
						35	590532	Spring-Valve (Intake)

Illustrations cover a range of engines. Parts shown without corresponding text may not be used on your specific engine.
10449-9 Assemblies include all parts shown in frames. 02/09/2016

093J00

REF. NO.	PART NO.	DESCRIPTION	REF. NO.	PART NO.	DESCRIPTION	REF. NO.	PART NO.	DESCRIPTION
36	590532	Spring-Valve (Exhaust)	117	593299	Jet-Main (Standard)	118	593298	Jet-Main (High Altitude)
37	594729	Guard-Flywheel ----- Note ----- 594726 Guard-Flywheel Used on Type No(s). 0009, 0013, 0020, 0042, 0045, 0058, 0061, 0065, 0067, 0069, 0070. 594729 Guard-Flywheel (Used After Code Date 15111100) Used on Type No(s). 0025. 594726 Guard-Flywheel (Used Before Code Date 15111200) Used on Type No(s). 0025.			----- Note ----- 592805 Jet-Main (Standard) Used on Type No(s). 0001, 0002, 0003, 0004, 0006, 0010, 0011, 0012, 0021, 0022, 0023, 0032, 0035, 0057, 0060, 0063, 0075, 0076. 595330 Jet-Main (Standard) Used on Type No(s). 0050, 0051, 0052, 0068.			----- Note ----- 592690 Jet-Main (High Altitude) Used on Type No(s). 0001, 0002, 0003, 0004, 0006, 0010, 0011, 0012, 0021, 0022, 0023, 0032, 0035, 0057, 0060, 0063, 0075, 0076. 595331 Jet-Main (High Altitude) Used on Type No(s). 0050, 0051, 0052, 0068.
40	590528	Retainer-Valve		594797	Jet-Main (Standard) Used on Type No(s). 0053, 0054, 0066, 0077, 0078.		593298	Jet-Main (High Altitude) Used on Type No(s). 0053, 0054, 0066, 0077, 0078.
43	697799	Slinger-Governor/Oil		595490	Jet-Main (Standard) (Used After Code Date 16011700) Used on Type No(s). 0036, 0062, 0079.		595491	Jet-Main (High Altitude) (Used After Code Date 16011700) Used on Type No(s). 0036, 0062, 0079.
45	590514	Tappet-Valve		593299	Jet-Main (Standard) (Used Before Code Date 16011800) Used on Type No(s). 0036, 0062, 0079.		593298	Jet-Main (High Altitude) (Used Before Code Date 16011800) Used on Type No(s). 0036, 0062, 0079.
46	592968	Camshaft				121	594636	Kit-Carburetor Overhaul (Used After Code Date 15030800) ----- Note ----- 590589 Kit-Carburetor Overhaul (Used Before Code Date 15030900) 595174 Kit-Carburetor Overhaul Used on Type No(s). 0069, 0070.
58	591108	Rope-Starter						
60	691915	Grip-Starter Rope						
60A	281434S	Grip-Starter Rope						
60B	799716	Grip-Starter Rope						
78	793480	Screw (Flywheel Guard)						
104	590558	Pin-Float Hinge						
105	594581	Valve-Float Needle ----- Note ----- 698537 Valve-Float Needle Used on Type No(s). 0069, 0070.						

Illustrations cover a range of engines. Parts shown without corresponding text may not be used on your specific engine.
10449-10 Assemblies include all parts shown in frames. 02/09/2016

REF. NO.	PART NO.	DESCRIPTION	REF. NO.	PART NO.	DESCRIPTION	REF. NO.	PART NO.	DESCRIPTION
122	590549	Spacer-Carburetor	209	590541	Spring-Governor	268	691025	Casing-Control Wire (Cut To Required Length)
125	593297	Carburetor			----- Note -----	269	691026	Wire-Control (Cut To Required Length)
		----- Note -----			591497 Spring-Governor	270	691027	Nut (Control Wire Casing)
		592361 Carburetor Used on Type No(s). 0001, 0002, 0003, 0004, 0006, 0010, 0011, 0012, 0021, 0022, 0023, 0032, 0035, 0057, 0060, 0063, 0075, 0076.	216	590547	Link-Choke	271	691028	Lever-Control
		594793 Carburetor Used on Type No(s). 0050, 0051, 0052, 0068.	217	590740	Spring-Choke Return	300	593248	Muffler
		594796 Carburetor Used on Type No(s). 0053, 0054, 0066, 0077, 0078.	222	590560	Bracket-Control	300C	592362	Muffler (Used Before Code Date 16012800)
		595500 Carburetor Used on Type No(s). 0069, 0070.	222A	590561	Bracket-Control	300G	595516	Muffler (Used After Code Date 16012700)
		595489 Carburetor (Used After Code Date 16011700)	227	590520	Lever-Governor Control	304	593961	Housing-Blower
		Used on Type No(s). 0036, 0062, 0079.	236	591292	Link-Lockout	304A	593962	Housing-Blower
		593297 Carburetor (Used Before Code Date 16011800)	238	590533	Cap-Valve	305	590586	Screw (Blower Housing)
		Used on Type No(s). 0036, 0062, 0079.	265	690798	Clamp-Casing	318	793480	Screw (Mounting Bracket)
133	591120	Float-Carburetor	265A	691024	Clamp-Casing	332	690662	Nut (Flywheel)
137	594633	Gasket-Float Bowl (Pack Of 5) (Used After Code Date 15030800)	267	691044	Screw (Casing Clamp) Used on Type No(s). 0004, 0009, 0016, 0018, 0019, 0020, 0029, 0030, 0033, 0034, 0038, 0041, 0046, 0047, 0048, 0049, 0061, 0064, 0071, 0072, 0073.	333	595009	Armature-Magneto (Used After Code Date 16012100)
		----- Note -----			----- Note -----			----- Note -----
		593235 Gasket-Float Bowl (Pack Of 5) (Used Before Code Date 15030900)			692577 Screw (Casing Clamp) Used on Type No(s). 0024, 0025, 0032, 0035, 0040, 0042, 0044, 0045, 0058, 0065, 0067, 0069, 0070.	334	691061	Screw (Magneto Armature)
155	590529	Plate-Cylinder Head			799013 Screw (Casing Clamp) (Used After Code Date 15080600)			
163	799580	Gasket-Air Cleaner			Used on Type No(s). 0013.			
187	791766	Line-Fuel (Cut To Required Length)			692577 Screw (Casing Clamp) (Used Before Code Date 15080700)			
188	793480	Screw (Control Bracket)			Used on Type No(s). 0013.			
192	590535	Adjuster-Rocker Arm						
202	590517	Link-Mechanical Governor						

Illustrations cover a range of engines. Parts shown without corresponding text may not be used on your specific engine.
10449-11 Assemblies include all parts shown in frames. 02/09/2016

093J00

REF. NO.	PART NO.	DESCRIPTION	REF. NO.	PART NO.	DESCRIPTION	REF. NO.	PART NO.	DESCRIPTION																																																																																				
337	797434	Plug-Spark (Resistor) Used on Type No(s). 0005, 0007, 0008, 0014, 0015, 0016, 0017, 0018, 0019, 0024, 0026, 0033, 0034, 0036, 0037, 0038, 0039, 0040, 0041, 0043, 0044, 0046, 0047, 0048, 0049, 0055, 0056, 0058, 0062, 0064, 0065, 0066, 0069, 0070, 0071, 0072, 0073, 0074, 0079, 0080, 0081. ----- Note ----- 692051 Plug-Spark (Resistor) Used on Type No(s). 0001, 0002, 0003, 0004, 0006, 0009, 0012, 0013, 0020, 0021, 0023, 0025, 0027, 0028, 0029, 0030, 0031, 0032, 0035, 0042, 0045, 0051, 0052, 0053, 0054, 0057, 0059, 0061, 0063, 0067, 0068, 0075, 0076, 0077, 0078. 692051 Plug-Spark (Resistor) (Used After Code Date 16012000) Used on Type No(s). 0010, 0011, 0022, 0050, 0060. 491055S Plug-Spark (Resistor) (Used Before Code Date 16012100) Used on Type No(s). 0010, 0011, 0022, 0050, 0060.	356	595018	Wire-Stop (Used After Code Date 16012100) ----- Note ----- 692390 Wire-Stop Used on Type No(s). 0006, 0009, 0013, 0020, 0022, 0024, 0025, 0042, 0045, 0058, 0061, 0065, 0067, 0068, 0069, 0070, 0079.	356C	796798	Wire-Stop Used on Type No(s). 0025, 0032, 0035, 0040, 0044.	358	592640	Gasket Set-Engine	363	19619	Puller-Flywheel	383	19576s	Wrench-Spark Plug	404	690272	Washer (Governor Crank)	445	593260	Filter-Air Cleaner Cartridge	455	590545	Cup-Flywheel (Used Before Code Date 14082500)	455A	593960	Cup-Flywheel (To Be Used With Reference 608) (Used After Code Date 14082400)	493	593330	Bracket-Mounting (Carburetor)	505	793515	Nut (Governor Control Lever)	522	590580	Plug-Dipstick/Fill	523	796503	Dipstick	524	691876	Seal-Dipstick Tube	535	799579	Filter-Air Cleaner Foam Used on Type No(s). 0050, 0051, 0052, 0053, 0054, 0066, 0068, 0077, 0078.	535A	595191	Filter-Air Cleaner Foam Used on Type No(s). 0009, 0013, 0020, 0025, 0061.	562	793514	Bolt (Governor Control Lever)	598	592587	Shim-End Play (Crankshaft or Camshaft Bearing) (Used After Code Date 15100100) ----- Note ----- 593291 Shim-End Play (Crankshaft or Camshaft Bearing) (Used Before Code Date 15100200)	601	791850	Clamp-Hose	608	593959	Starter-Rewind (To Be Used With Reference 455A) (Not To Be Used With Reference 455) (Used After Code Date 14082400)	613	590562	Screw (Muffler)	615	690340	Retainer-Governor Shaft	616	590516	Crank-Governor	617	270344s	Seal-O Ring (Intake Manifold)	621	692310	Switch-Stop	623	799581	Seal-O Ring (Carburetor Spacer)	635	692076	Boot-Spark Plug	668	590546	Spacer	676A	799187	Deflector-Muffler	718	690959	Pin-Locating (Crankcase Cover/Sump)

Illustrations cover a range of engines. Parts shown without corresponding text may not be used on your specific engine.
10449-12 Assemblies include all parts shown in frames. 02/09/2016

REF. NO.	PART NO.	DESCRIPTION	REF. NO.	PART NO.	DESCRIPTION	REF. NO.	PART NO.	DESCRIPTION
724	697478	Retainer-Seal	832B	592709	Guard-Muffler	957B	692046	Cap-Fuel Tank
741	594105	Gear-Timing (Used After Code Date 15100100)	836	690661	Screw (Muffler Guard)	968	590548	Cover-Air Cleaner
		----- Note -----	836A	793500	Screw (Muffler Guard)	968D	594640	Cover-Air Cleaner Used on Type No(s). 0050, 0051, 0052, 0053, 0054, 0068, 0077, 0078.
		796210 Gear-Timing (Used Before Code Date 15100200)	842	691031	Seal-O Ring (Dipstick Tube)	968E	595493	Cover-Air Cleaner Used on Type No(s). 0066.
		594105 Gear-Timing (Used After Code Date 15102700)	847	590572	Dipstick/Tube Assembly	971	590552	Screw (Air Cleaner Base to Carburetor/Throttle Body)
		Used on Type No(s). 0013, 0017, 0018, 0026, 0028, 0029, 0034, 0036, 0037, 0038, 0055, 0058, 0062, 0069, 0071, 0075, 0079.	850	100106	Sealant-Liquid	972	590568	Tank-Fuel
		796210 Gear-Timing (Used Before Code Date 15102800)	857	591113	Trim-Blower Housing Cover	972A	591947	Tank-Fuel
		Used on Type No(s). 0013, 0017, 0018, 0026, 0028, 0029, 0034, 0036, 0037, 0038, 0055, 0058, 0062, 0069, 0071, 0075, 0079.	857C	594778	Trim-Blower Housing Cover (Pewter)	975	594632	Bowl-Float (Used After Code Date 15030800)
		594105 Gear-Timing (Used Before Code Date 15102800)			----- Note -----			----- Note -----
		Used on Type No(s). 0013, 0017, 0018, 0026, 0028, 0029, 0034, 0036, 0037, 0038, 0055, 0058, 0062, 0069, 0071, 0075, 0079.	868	590534	Seal-Valve (Intake)			591492 Bowl-Float (Used Before Code Date 15030900)
		796210 Gear-Timing (Used Before Code Date 15102800)	875	590553	Base-Air Cleaner	994	690813	Arrestor-Spark
		Used on Type No(s). 0013, 0017, 0018, 0026, 0028, 0029, 0034, 0036, 0037, 0038, 0055, 0058, 0062, 0069, 0071, 0075, 0079.	875F	594639	Base-Air Cleaner Used on Type No(s). 0050, 0051, 0052, 0053, 0054, 0068, 0077, 0078.	1005	592050	Fan-Flywheel
		594105 Gear-Timing (Used on Type No(s). 0066, 0077.	875G	595494	Base-Air Cleaner Used on Type No(s). 0066.	1022	591255	Gasket-Rocker Cover
745	691146	Screw (Brake)	914	591103	Screw (Rocker Cover)	1023	590513	Cover-Rocker
745A	690859	Screw (Brake)	922	692135	Spring-Brake	1026	590515	Rod-Push
770	591139	Kit-Rewind/Blower Housing (NO LONGER AVAILABLE) (Use Reference 770D For Replacement)	923	691487	Brake	1029	590526	Arm-Rocker
770B	592677	Kit-Rewind/Blower Housing (NO LONGER AVAILABLE) (Use Reference 770D For Replacement)	930	590585	Guard-Rewind (Used Before Code Date 15041300)	1029A	590527	Arm-Rocker
770D	595355	Kit-Rewind/Blower Housing	951	591104	Lever-Choke	1036		Label-Emissions (Available From A Briggs & Stratton Authorized Dealer)
832	590566	Guard-Muffler (Used Before Code Date 16012800)	957	799585	Cap-Fuel Tank (Black)	1127	590554	Screw (Float Bowl to Carburetor Body)
					----- Note -----	1238	590562	Screw (Carburetor Spacer)
					591003	1263	697124	Reed-Breather
					Cap-Fuel Tank (Red) Used on Type No(s). 0010, 0011, 0012, 0022, 0023, 0050, 0051, 0060.	1264	793453	Screw (Breather Reed)
						1319	794467	Label-Warning
						1319A	797669	Label-Warning

Not for
Reproduction

Not for
Reproduction

Not for
Reproduction

