

33R800

Illustrated Parts List

Model Series

33R800

TYPE NUMBERS

0002, 0003, 0004, 00005, 0006, 0007, 0008, 0009, 0010, 0011, 0012, 0013, 0014, 0015,
0016, 0017, 0018, 0019, 0020, 0021, 0022, 0023, 0024, 0025, 0026.

Not for
Reproduction

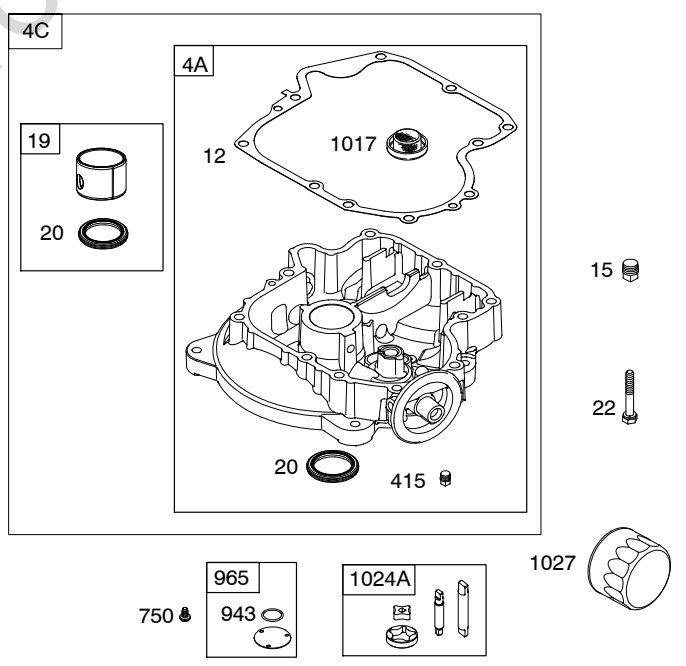
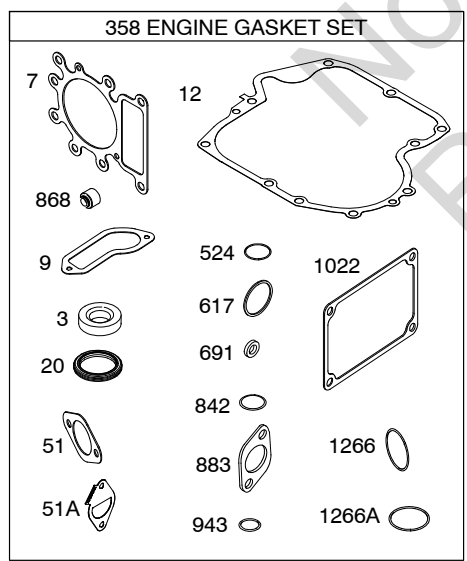
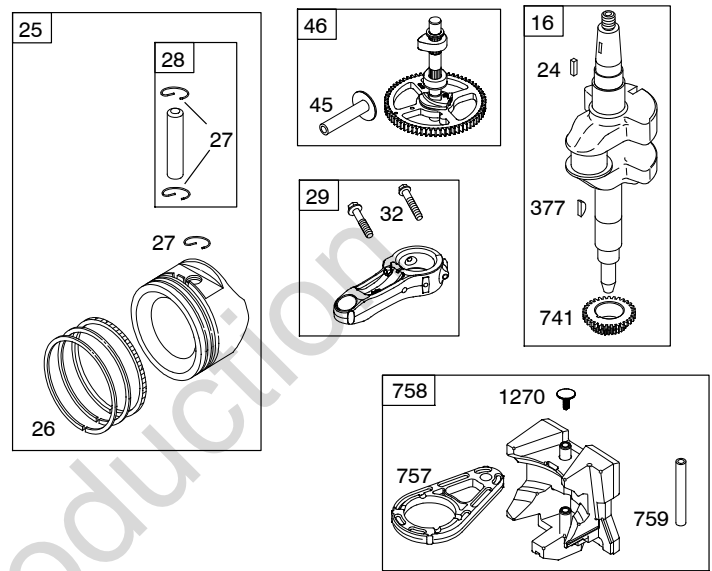
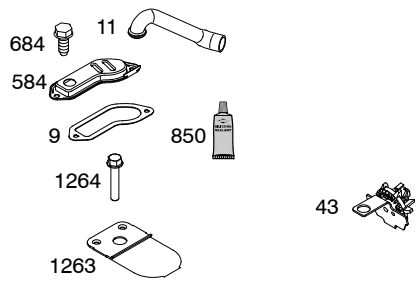
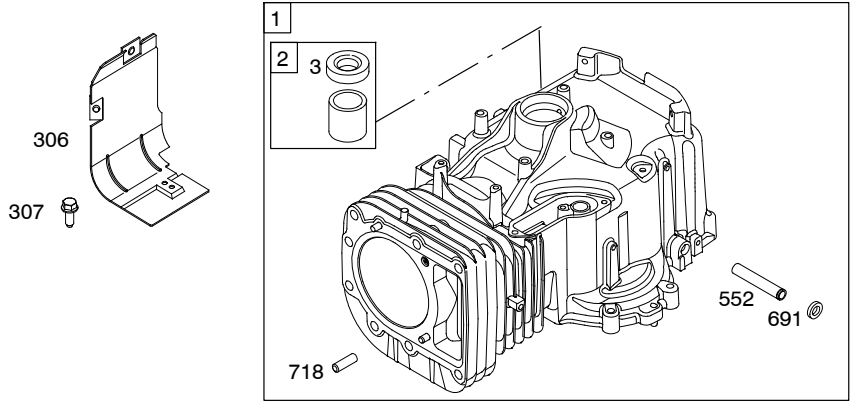


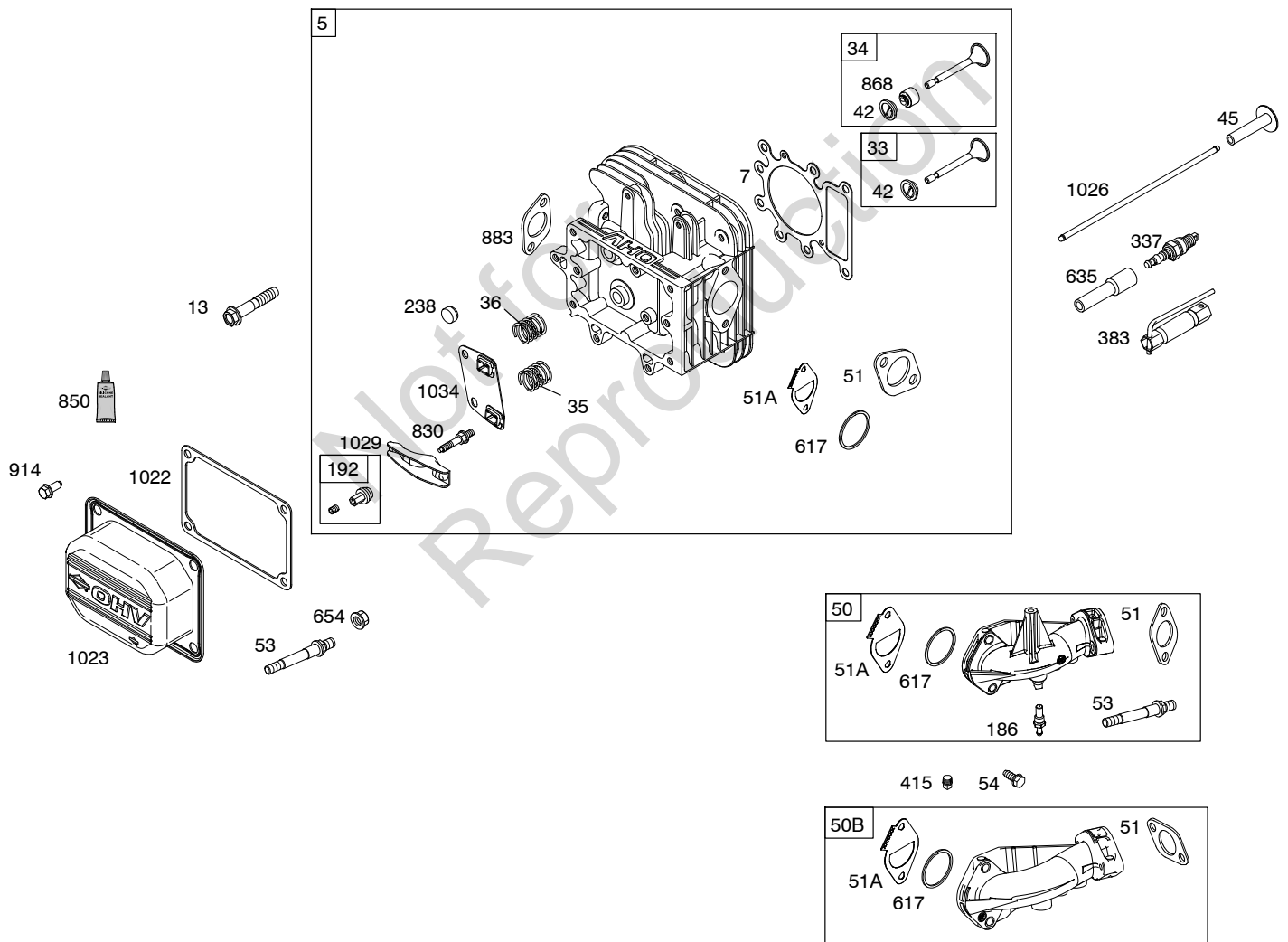
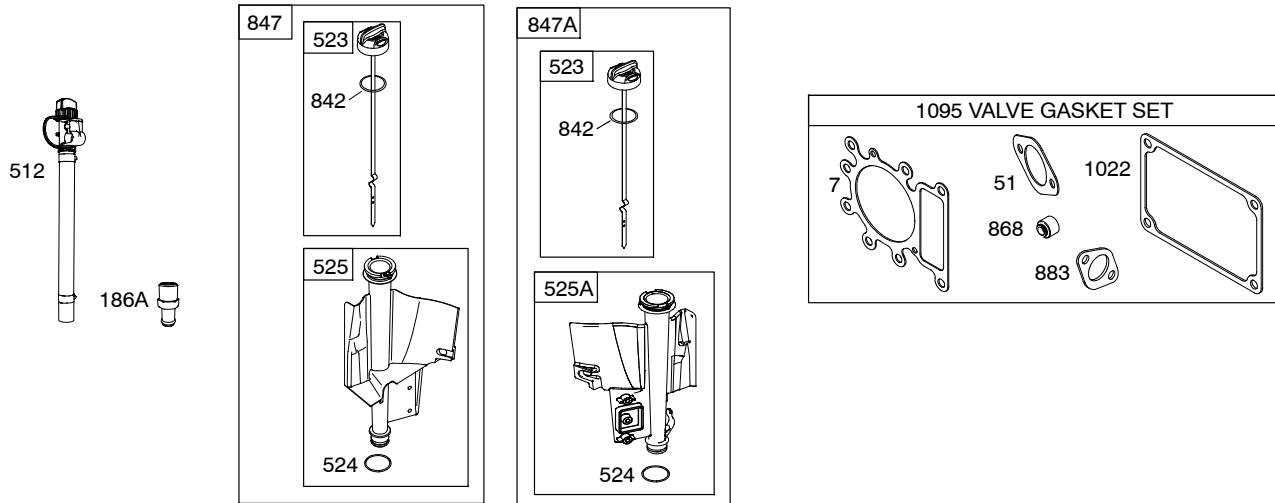
PRINTED IN U.S.A.

COPYRIGHT by BRIGGS & STRATTON CORPORATION
All rights reserved. No part of this material may be reproduced or transmitted,
in any form or by any means, electronic or mechanical, including photocopying,
recording or by any information storage and retrieval system, without permission
in writing from Briggs & Stratton Corporation.

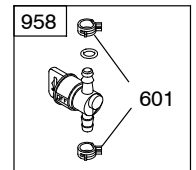
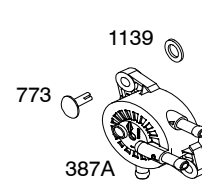
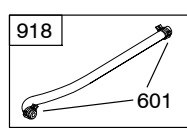
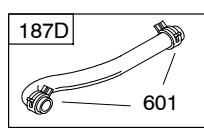
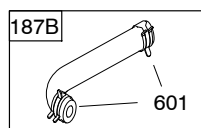
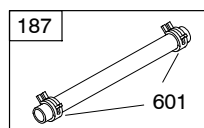
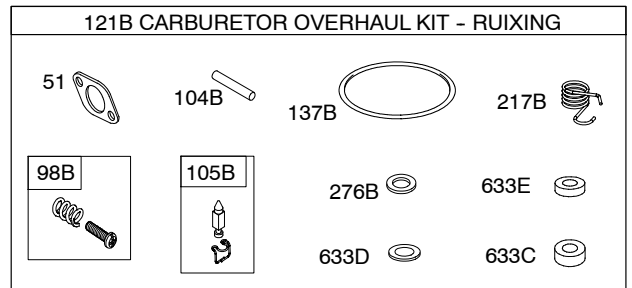
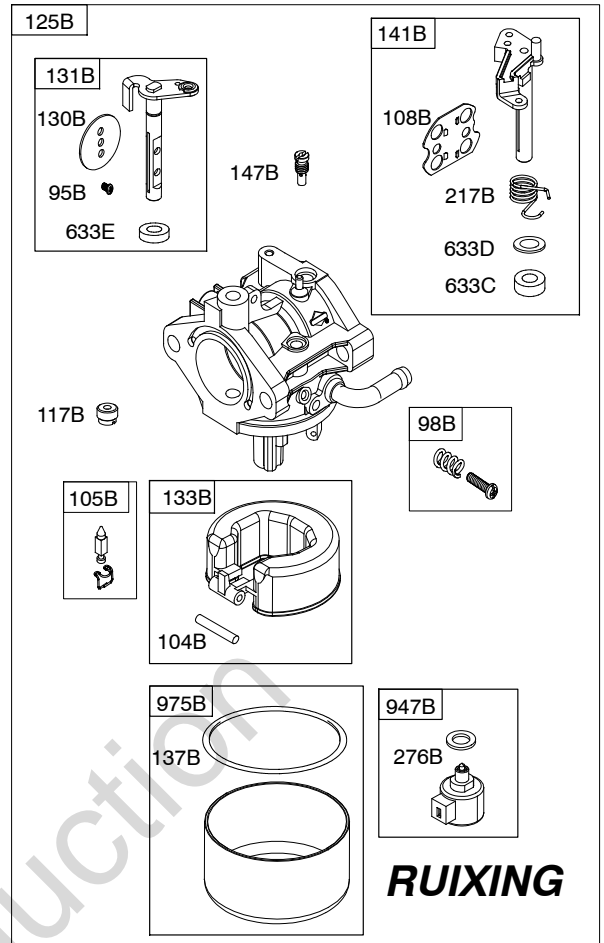
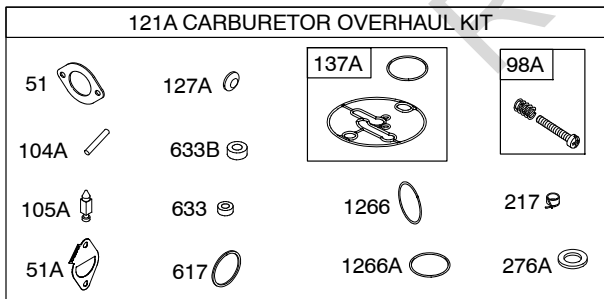
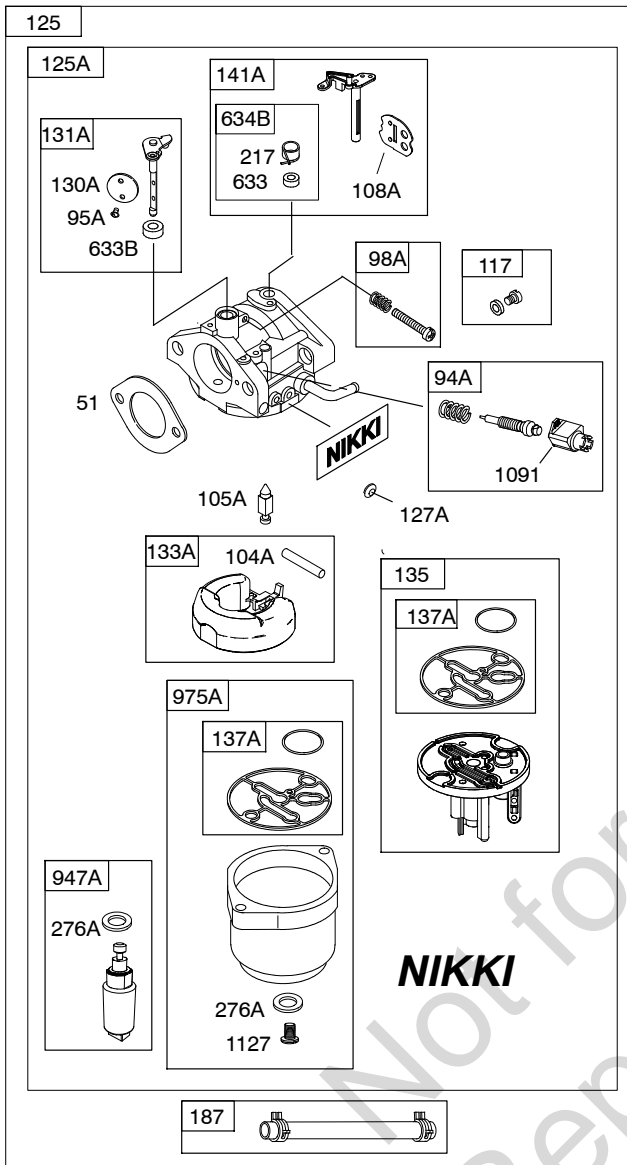
33R800

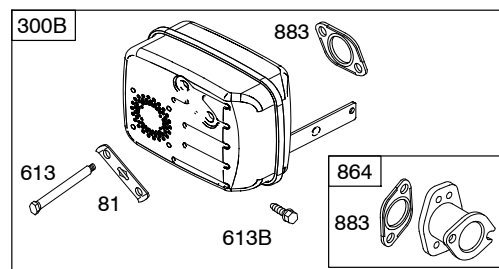
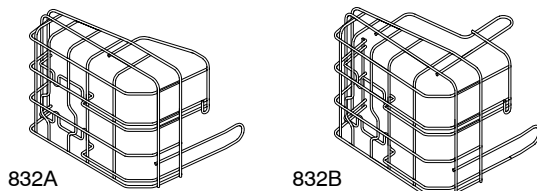
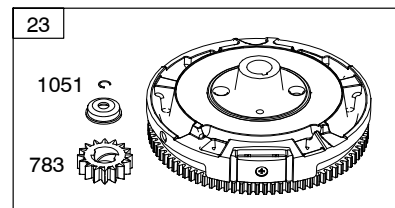
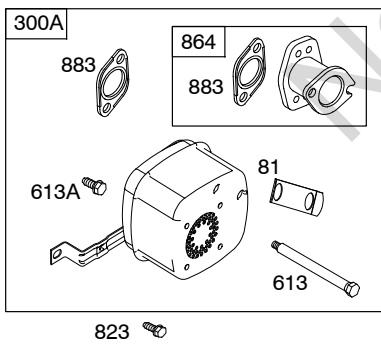
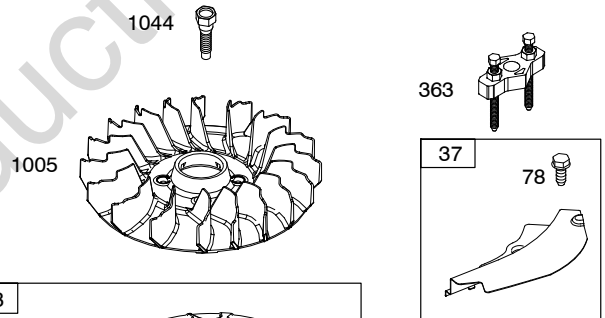
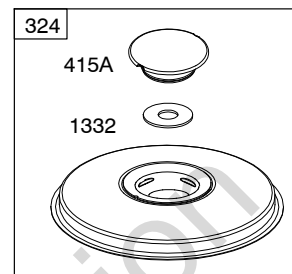
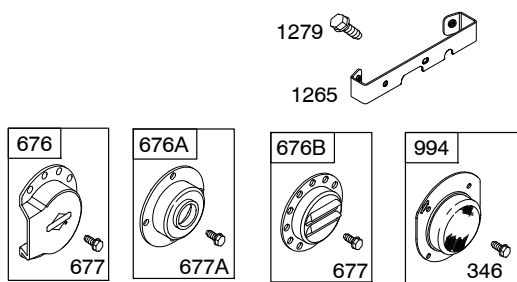
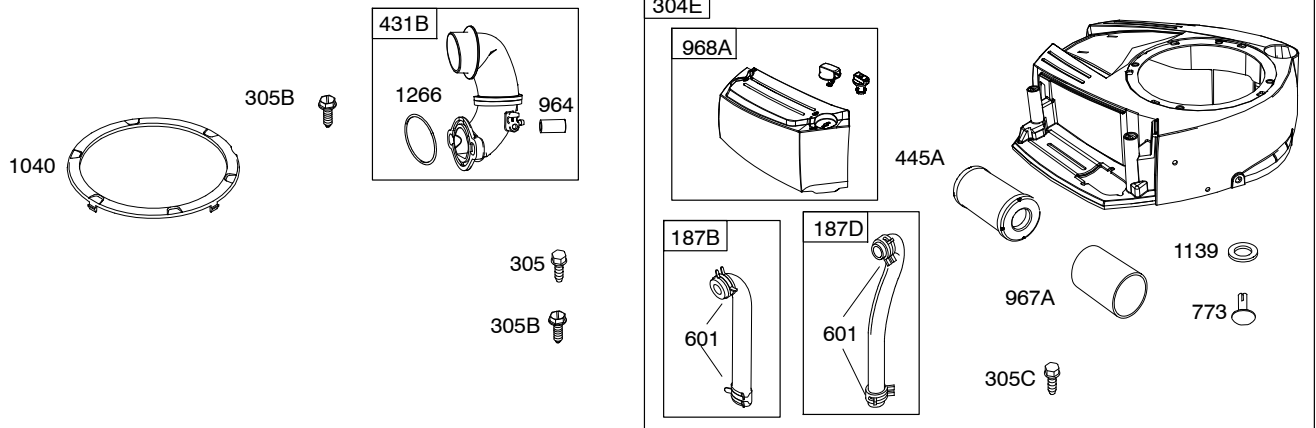
- 1036 EMISSIONS LABEL
- 1319 WARNING LABEL
- 1319A WARNING LABEL
- 1319B WARNING LABEL



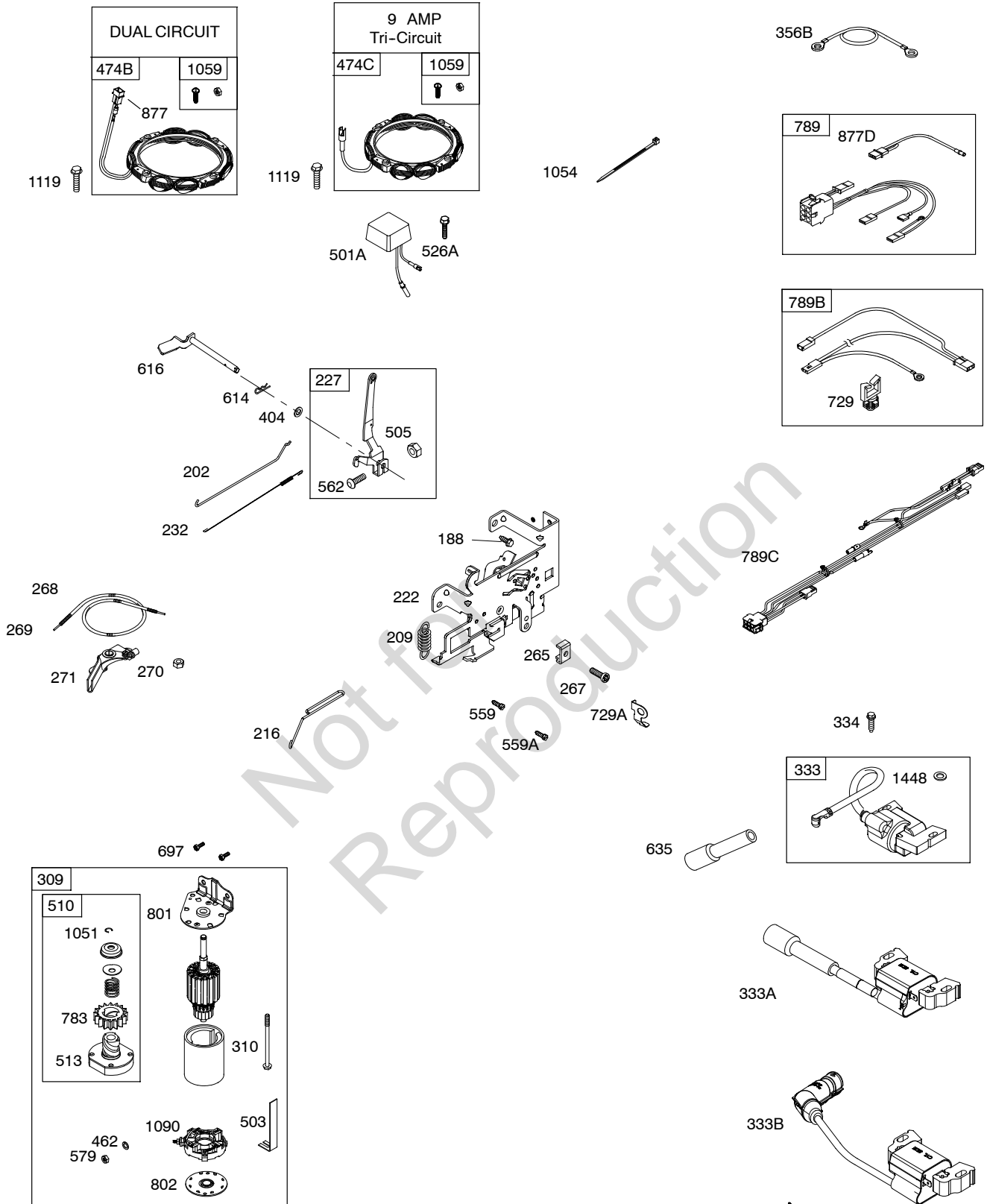


Illustrations cover a range of engines. Parts shown without corresponding text may not be used on your specific engine.
 10493-3 Assemblies include all parts shown in frames. 04/01/2016





Illustrations cover a range of engines. Parts shown without corresponding text may not be used on your specific engine.
 10493-5 Assemblies include all parts shown in frames. 04/01/2016



Not for reproduction

REF. NO.	PART NO.	DESCRIPTION	REF. NO.	PART NO.	DESCRIPTION	REF. NO.	PART NO.	DESCRIPTION
1	591465	Cylinder Assembly	25	795858	Piston Assembly (Standard)	95A	690718	Screw (Nikki)
2	797673	Kit-Bushing/Seal (Magneto Side)			----- Note -----			(Throttle Valve)
3	391086s	Seal-Oil (Magneto Side)			795877 Piston Assembly (.020" Oversize)			(Used Before Code Date 15113000)
4A	592849	Sump-Engine	26	794126	Ring Set (Standard)			Used on Type No(s). 0003, 0004, 0005, 0006, 0012, 0015, 0016, 0019, 0020, 0021, 0024, 0025.
4C	591009	Sump-Engine Used on Type No(s). 0006, 0016.			----- Note -----			----- Note -----
5	591750	Head-Cylinder			794127 Ring Set (.020" Oversize)			690718 Screw (Throttle Valve)
7	794114	Gasket-Cylinder Head	27	698469	Lock-Piston Pin			(Used Before Code Date 15122300)
9	697109	Gasket-Breather	28	795861	Pin-Piston (Standard)			Used on Type No(s). 0002, 0007, 0008, 0009, 0010, 0011, 0013, 0014, 0017, 0018, 0022, 0023, 0026.
11	794683	Tube-Breather	29	794571	Rod-Connecting			----- Note -----
12	697110	Gasket-Crankcase (.015" Thick) (Standard)			794122 Rod-Connecting Used on Type No(s). 0007, 0008, 0009, 0010, 0014, 0016, 0018, 0022.	95B	593897	Screw (Ruixing)
13	592244	Screw (Cylinder Head) (5/16-18 x 2.69)	32	791118	Screw (Connecting Rod)			(Throttle Valve)
15	690946	Plug-Oil Drain (Square Head)	33	591752	Valve-Exhaust			(Used After Code Date 15112900)
16	591763	Crankshaft	34	591751	Valve-Intake			Used on Type No(s). 0003, 0004, 0005, 0006, 0012, 0015, 0016, 0019, 0020, 0021, 0024, 0025.
		----- Note -----	35	691279	Spring-Valve (Intake)			----- Note -----
		591762 Crankshaft Used on Type No(s). 0007, 0008, 0009, 0010, 0014, 0016, 0018, 0022, 0023, 0024, 0026.	36	691279	Spring-Valve (Exhaust)			593897 Screw (Used After Code Date 15122200)
19	591010	Kit-Bushing/Seal (PTO Side)	37	699882	Guard-Flywheel			Used on Type No(s). 0002, 0007, 0008, 0009, 0010, 0011, 0013, 0014, 0017, 0018, 0022, 0023, 0026.
20	795387	Seal-Oil (PTO Side)	42	499586	Keeper-Valve			
22	692125	Screw (Crankcase Cover/Sump)	43	691968	Slinger-Governor/Oil			
23	591759	Flywheel	45	690564	Tappet-Valve			
		----- Note -----	46	793880	Camshaft			
		591758 Flywheel Used on Type No(s). 0004, 0005, 0013, 0016, 9018, 0019, 0020, 0022, 0025, 0026.	50	591248	Manifold-Intake			
		591760 Flywheel Used on Type No(s). 0003, 0006, 0015.	50B	592842	Manifold-Intake			
24	591757	Key-Flywheel	51	692137	Gasket-Intake			
			51A	796081	Gasket-Intake			
			53	591260	Stud (Carburetor)			
			54	691148	Screw (Intake Manifold)			
			78	691693	Screw (Flywheel Guard)			
			81	691178	Lock-Muffler Screw			
			94A	793610	Kit-Idle Mixture			

Illustrations cover a range of engines. Parts shown without corresponding text may not be used on your specific engine.
 10493-7 Assemblies include all parts shown in frames. 04/01/2016

33R800

REF. NO.	PART NO.	DESCRIPTION	REF. NO.	PART NO.	DESCRIPTION	REF. NO.	PART NO.	DESCRIPTION
98A	695408	Kit-Idle Speed (Nikki) (Used Before Code Date 15113000) Used on Type No(s). 0003, 0004, 0005, 0006, 0012, 0015, 0016, 0019, 0020, 0021, 0024, 0025. ----- Note ----- 695408 Kit-Idle Speed (Used Before Code Date 15122300) Used on Type No(s). 0002, 0007, 0008, 0009, 0010, 0011, 0013, 0014, 0017, 0018, 0022, 0023, 0026.	104A	694918	Pin-Float Hinge (Nikki) (Used Before Code Date 15113000) Used on Type No(s). 0003, 0004, 0005, 0006, 0012, 0015, 0016, 0019, 0020, 0021, 0024, 0025. ----- Note ----- 694918 Pin-Float Hinge (Used Before Code Date 15122300) Used on Type No(s). 0002, 0007, 0008, 0009, 0010, 0011, 0013, 0014, 0017, 0018, 0022, 0023, 0026.	105A	696136	Valve-Float Needle (Nikki) (Used Before Code Date 15113000) Used on Type No(s). 0003, 0004, 0005, 0006, 0012, 0015, 0016, 0019, 0020, 0021, 0024, 0025. ----- Note ----- 696136 Valve-Float Needle (Used Before Code Date 15122300) Used on Type No(s). 0002, 0007, 0008, 0009, 0010, 0011, 0013, 0014, 0017, 0018, 0022, 0023, 0026.
98B	846817	Kit-Idle Speed (Ruixing) (Used After Code Date 15112900) Used on Type No(s). 0003, 0004, 0005, 0006, 0012, 0015, 0016, 0019, 0020, 0021, 0024, 0025. ----- Note ----- 846817 Kit-Idle Mixture (Used After Code Date 15122200) Used on Type No(s). 0002, 0007, 0008, 0009, 0010, 0011, 0013, 0014, 0017, 0018, 0022, 0023, 0026.	104B	594860	Pin-Float Hinge (Ruixing) (Used After Code Date 15112900) Used on Type No(s). 0003, 0004, 0005, 0006, 0012, 0015, 0016, 0019, 0020, 0021, 0024, 0025. ----- Note ----- 594860 Pin-Float Hinge Mixture (Used After Code Date 15122200) Used on Type No(s). 0002, 0007, 0008, 0009, 0010, 0011, 0013, 0014, 0017, 0018, 0022, 0023, 0026.	105B	594868	Valve-Float Needle (Ruixing) (Used After Code Date 15112900) Used on Type No(s). 0003, 0004, 0005, 0006, 0012, 0015, 0016, 0019, 0020, 0021, 0024, 0025. ----- Note ----- 594868 Valve-Float Needle (Used After Code Date 15122200) Used on Type No(s). 0002, 0007, 0008, 0009, 0010, 0011, 0013, 0014, 0017, 0018, 0022, 0023, 0026.

Illustrations cover a range of engines. Parts shown without corresponding text may not be used on your specific engine.
10493-8 Assemblies include all parts shown in frames. **04/01/2016**

REF. NO.	PART NO.	DESCRIPTION	REF. NO.	PART NO.	DESCRIPTION	REF. NO.	PART NO.	DESCRIPTION
108A	698773	Valve-Choke (Used Before Code Date 15113000) Used on Type No(s). 0003, 0004, 0005, 0006, 0012, 0015, 0016, 0019, 0020, 0021, 0024, 0025. ----- Note ----- 698773 Valve-Choke (Used Before Code Date 15122300) Used on Type No(s). 0002, 0007, 0008, 0009, 0010, 0011, 0013, 0014, 0017, 0018, 0022, 0023, 0026.	117	796251	Jet-Main (Standard) (Used Before Code Date 1511300 and After Code Date: 13082600). ----- Note ----- 791502 Jet-Main (Standard) (Used Before Code Date 13082700) 791502 Jet-Main (Standard) (Used Before Code Date 1512230 and After Code Date: 15083100). Used on Type No(s). 0002, 0007, 0008, 0009, 0010, 0011, 0013, 0014, 0017, 0018, 0022, 0026. 796251 Jet-Main (Standard) (Used Before Code Date 15090100 and After Code Date 13082600). Used on Type No(s). 0002, 0007, 0008, 0009, 0010, 0011, 0013, 0014, 0017, 0018, 0022, 0026. 791502 Jet-Main (Standard) (Used Before Code Date 15122300) Used on Type No(s). 0023.	118	791406	Jet-Main (High Altitude) (Used Before Code Date 1511300 and After Code Date: 13082600). ----- Note ----- 699457 Jet-Main (High Altitude) (Used Before Code Date 13082700) 699457 Jet-Main (Standard) (Used Before Code Date 15122300 and After Code Date: 15083100). Used on Type No(s). 0002, 0007, 0008, 0009, 0010, 0011, 0013, 0014, 0017, 0018, 0022, 0026. 791406 Jet Main (Standard) (Used Before Code Date 15090100 and After Code Date 13082600). Used on Type No(s). 0002, 0007, 0008, 0009, 0010, 0011, 0013, 0014, 0017, 0018, 0022, 0026. 699457 Jet-Main (High Altitude) Used on Type No(s). 0023. (Used Before Code Date 15122300)
108B	594863	Valve-Choke (Ruixing) (Used After Code Date 15112900) Used on Type No(s). 0003, 0004, 0005, 0006, 0012, 0015, 0016, 0019, 0020, 0021, 0024, 0025. ----- Note ----- 594863 Valve-Choke (Used After Code Date 15122200) Used on Type No(s). 0002, 0007, 0008, 0009, 0010, 0011, 0013, 0014, 0017, 0018, 0022, 0023, 0026.	117B	594873	Jet-Main (Ruixing) (Standard) (Used After Code Date 15112900). ----- Note ----- 594873 Jet-Main (Standard) (Used After Code Date 15122200) Used on Type No(s). 0002, 0007, 0008, 0009, 0010, 0011, 0013, 0014, 0017, 0018, 0022, 0026.	118B	595068	Jet-Main (Ruixing) (High Altitude) (Used After Code Date 15112900). ----- Note ----- 595068 Jet-Main (Standard) (Used After Code Date 15122200) Used on Type No(s). 0002, 0007, 0008, 0009, 0010, 0011, 0013, 0014, 0017, 0018, 0022, 0026.

Illustrations cover a range of engines. Parts shown without corresponding text may not be used on your specific engine.

33R800

REF. NO.	PART NO.	DESCRIPTION	REF. NO.	PART NO.	DESCRIPTION	REF. NO.	PART NO.	DESCRIPTION
121A	796184	Kit-Carburetor Overhaul (Nikki) (Used Before Code Date 15122300) Used on Type No(s). 0003, 0004, 0005, 0006, 0012, 0015, 0016, 0019, 0020, 0021, 0024, 0025. ----- Note ----- 796184 Kit-Carburetor Overhaul (Used Before Code Date 15122300) Used on Type No(s). 0002, 0007, 0008, 0009, 0010, 0011, 0013, 0014, 0017, 0018, 0022, 0023, 0026.	125	591736	Carburetor (Used Before Code Date 15113000 and After Code Date 13082600). Used on Type No(s). 0003, 0004, 0005, 0006, 0012, 0015, 0016, 0019, 0020, 0021, 0024, 0025. ----- Note ----- 591736 Carburetor (Used Before Code Date 15122300) Used on Type No(s). 0002, 0007, 0008, 0009, 0010, 0011, 0013, 0014, 0017, 0018, 0022, 0026. 593028 Carburetor (Used Before Code Date 15122300) Used on Type No(s). 0023.	127A	690727	Plug-Welch
						130A	792747	Valve-Throttle (Nikki) (Used Before Code Date 15122300) Used on Type No(s). 0003, 0004, 0005, 0006, 0012, 0015, 0016, 0019, 0020, 0021, 0024, 0025. ----- Note ----- 792747 Valve-Throttle (Used Before Code Date 15122300) Used on Type No(s). 0002, 0007, 0008, 0009, 0010, 0011, 0013, 0014, 0017, 0018, 0022, 0026. ----- Note ----- 695419 Valve-Throttle (Used Before Code Date 15122300) Used on Type No(s). 0023.
121B	594886	Kit-Carburetor Overhaul (Ruixing) (Used After Code Date 15112900) Used on Type No(s). 0003, 0004, 0005, 0006, 0012, 0015, 0016, 0019, 0020, 0021, 0024, 0025. ----- Note ----- 594886 Kit-Carburetor Overhaul (Used After Code Date 15122200) Used on Type No(s). 0002, 0007, 0008, 0009, 0010, 0011, 0013, 0014, 0017, 0018, 0022, 0023, 0026.	125A	593003	Carburetor (Used Before Code Date 13082700). Used on Type No(s). 0003, 0004, 0005, 0006, 0012, 0015, 0016.	130B	594858	Valve-Throttle (Ruixing) (Used After Code Date 15112900) Used on Type No(s). 0003, 0004, 0005, 0006, 0012, 0015, 0016, 0019, 0020, 0021, 0024, 0025. ----- Note ----- 594858 Valve-Throttle (Used After Code Date 15122200) Used on Type No(s). 0002, 0007, 0008, 0009, 0010, 0011, 0013, 0014, 0017, 0018, 0022, 0023, 0026.
			125B	594601	Carburetor (Ruixing) (Used After Code Date 15112900). Used on Type No(s). 0003, 0004, 0005, 0006, 0012, 0015, 0016, 0019, 0020, 0021, 0024, 0025. ----- Note ----- 594601 Carburetor (Ruixing) (Used After Code Date 15122200). Used on Type No(s). 0002, 0007, 0008, 0009, 0010, 0011, 0013, 0014, 0017, 0018, 0022, 0023, 0026.			

Illustrations cover a range of engines. Parts shown without corresponding text may not be used on your specific engine.
10493-10 Assemblies include all parts shown in frames. 04/01/2016

REF. NO.	PART NO.	DESCRIPTION	REF. NO.	PART NO.	DESCRIPTION	REF. NO.	PART NO.	DESCRIPTION
131A	792765	Kit-Throttle Shaft (Nikki) (Used Before Code Date 15122300) Used on Type No(s). 0003, 0004, 0005, 0006, 0012, 0015, 0016, 0019, 0020, 0021, 0024, 0025. ----- Note ----- 792765 Kit-Throttle Shaft (Used Before Code Date 15122300) Used on Type No(s). 0002, 0007, 0008, 0009, 0010, 0011, 0013, 0014, 0017, 0018, 0022, 0023, 0026.	133A	694914	Float-Carburetor (Nikki) (Used Before Code Date 15122300) Used on Type No(s). 0003, 0004, 0005, 0006, 0012, 0015, 0016, 0019, 0020, 0021, 0024, 0025. ----- Note ----- 694914 Float-Carburetor (Used Before Code Date 15122300) Used on Type No(s). 0002, 0007, 0008, 0009, 0010, 0011, 0013, 0014, 0017, 0018, 0022, 0023, 0026.	137A	698781	Gasket-Float Bowl (Nikki) (Used Before Code Date 15122300) Used on Type No(s). 0003, 0004, 0005, 0006, 0012, 0015, 0016, 0019, 0020, 0021, 0024, 0025. ----- Note ----- 698781 Gasket-Float Bowl (Used Before Code Date 15122300) Used on Type No(s). 0002, 0007, 0008, 0009, 0010, 0011, 0013, 0014, 0017, 0018, 0022, 0023, 0026.
131B	594856	Kit-Throttle Shaft (Ruixing) (Used After Code Date 15112900) Used on Type No(s). 0003, 0004, 0005, 0006, 0012, 0015, 0016, 0019, 0020, 0021, 0024, 0025. ----- Note ----- 594856 Kit-Throttle Shaft (Used After Code Date 15122200) Used on Type No(s). 0002, 0007, 0008, 0009, 0010, 0011, 0013, 0014, 0017, 0018, 0022, 0023, 0026.	133B	594859	Float-Carburetor (Ruixing) (Used After Code Date 15112900) Used on Type No(s). 0003, 0004, 0005, 0006, 0012, 0015, 0016, 0019, 0020, 0021, 0024, 0025. ----- Note ----- 594859 Float-Carburetor (Used After Code Date 15122200) Used on Type No(s). 0002, 0007, 0008, 0009, 0010, 0011, 0013, 0014, 0017, 0018, 0022, 0023, 0026.	137B	594861	Gasket-Float Bowl (Ruixing) (Used After Code Date 15112900) Used on Type No(s). 0003, 0004, 0005, 0006, 0012, 0015, 0016, 0019, 0020, 0021, 0024, 0025. ----- Note ----- 594861 Gasket-Float Bowl (Used After Code Date 15122200) Used on Type No(s). 0002, 0007, 0008, 0009, 0010, 0011, 0013, 0014, 0017, 0018, 0022, 0023, 0026.
			135	698780	Tube-Fuel Transfer ----- Note ----- 796400 Tube-Fuel Transfer Used on Type No(s). 0003, 0004, 0005, 0006, 0012, 0015, 0016, 0019, 0020, 0021, 0024, 0025.			

Illustrations cover a range of engines. Parts shown without corresponding text may not be used on your specific engine.

33R800

REF. NO.	PART NO.	DESCRIPTION	REF. NO.	PART NO.	DESCRIPTION	REF. NO.	PART NO.	DESCRIPTION
141A	698778	Kit-Choke Shaft (Nikki) (Used Before Code Date 15122300) Used on Type No(s). 0003, 0004, 0005, 0006, 0012, 0015, 0016, 0019, 0020, 0021, 0024, 0025. ----- Note ----- 698778 Kit-Choke Shaft (Used Before Code Date 15122300) Used on Type No(s). 0002, 0007, 0008, 0009, 0010, 0011, 0013, 0014, 0017, 0018, 0022, 0023, 0026.	187D	791744	Line-Fuel (Filter to Fuel Pump) (Formed)(14"Long) (Cut To Required Length)	217B	594864	Spring-Choke Return (Ruixing) (Used After Code Date 15112900) Used on Type No(s). 0003, 0004, 0005, 0006, 0012, 0015, 0016, 0019, 0020, 0021, 0024, 0025. ----- Note ----- 594864 Spring-Choke Return (Used After Code Date 15122200) Used on Type No(s). 0002, 0007, 0008, 0009, 0010, 0011, 0013, 0014, 0017, 0018, 0022, 0023, 0026.
141B	594862	Kit-Choke Shaft (Ruixing) (Used After Code Date 15112900) Used on Type No(s). 0003, 0004, 0005, 0006, 0012, 0015, 0016, 0019, 0020, 0021, 0024, 0025. ----- Note ----- 594862 Kit-Choke Shaft (Used After Code Date 15122200) Used on Type No(s). 0002, 0007, 0008, 0009, 0010, 0011, 0013, 0014, 0017, 0018, 0022, 0023, 0026.	188	691693	Screw (Control Bracket)	222	694042	Bracket-Control
147B	594874	Jet-Pilot (Ruixing)	192	691986	Adjuster-Rocker Arm	227	691374	Lever-Governor Control
186	794873	Hose-Connector	202	691841	Link-Mechanical Governor	232	691842	Spring-Governor Link
186A	796532	Connector-Hose (Oil Drain Hose)	209	796260	Spring-Governor ----- Note ----- 792602 Spring-Governor Used on Type No(s). 0003, 0006, 0016, 0019. 796261 Spring-Governor Used on Type No(s). 0013, 0018	238	691843	Cap-Valve
187	791766	Line-Fuel (Fuel Pump to Carburetor) (Straight)(15" Long) (Cut To Required Length)	216	691840	Link-Choke	240	394358s	Filter-Fuel (Includes 75 Micron Paper Element)
187B	791805	Line-Fuel (Formed)(10-1/4 Inches Long)(Cut to Required Length)	217	695409	Spring-Choke Return (Nikki) (Used Before Code Date 15122300) Used on Type No(s). 0003, 0004, 0005, 0006, 0012, 0015, 0016, 0019, 0020, 0021, 0024, 0025. ----- Note ----- 695409 Spring-Choke Return (Used Before Code Date 15122300) Used on Type No(s). 0002, 0007, 0008, 0009, 0010, 0011, 0013, 0014, 0017, 0018, 0022, 0023, 0026.	240A	691035	Filter-Fuel (Includes 40 Micron Paper Element)
						240B	695666	Filter-Fuel (Includes 30 Micron Paper Element)
						265	691024	Casing-Clamp
						267	794904	Screw (Casing Clamp)
						268	691025	Casing-Control Wire (Cut To Required Length)
						269	691026	Wire-Control (Cut To Required Length)
						270	691027	Nut (Control Wire Casing)

Illustrations cover a range of engines. Parts shown without corresponding text may not be used on your specific engine.
10493-12 Assemblies include all parts shown in frames. 04/01/2016

REF. NO.	PART NO.	DESCRIPTION	REF. NO.	PART NO.	DESCRIPTION	REF. NO.	PART NO.	DESCRIPTION
271	691028	Lever-Control	309	593934	Motor-Starter	431B	799043	Elbow-Intake
276A	695410	Washer-Sealing (Nikki) (Used Before Code Date 15122300) Used on Type No(s). 0003, 0004, 0005, 0006, 0012, 0015, 0016, 0019, 0020, 0021, 0024, 0025. ----- Note ----- 695410 Washer-Sealing (Used Before Code Date 15122300) Used on Type No(s). 0002, 0007, 0008, 0009, 0010, 0011, 0013, 0014, 0017, 0018, 0022, 0023, 0026.	310	690323	Screw (Starter Motor) (#10-24 X 4.44)	445A	793569	Filter-Air Cleaner Cartridge
			324	796309	Screen-Rotating	462	691261	Washer (Starter Cable)
			333	799650	Armature-Magneto (Used Before Code Date 160070100)	474B	592831	Alternator (Dual Circuit) Used on Type No(s). 0002, 0007, 0008, 0009, 0010, 0011, 0012, 0014, 0017, 0021, 0023, 0024.
			333A	594626	Armature-Magneto (Used After Code Date 16063000)	474C	592829	Alternator (9 AMP)(Tri Circuit) Used on Type No(s). 0003, 0004, 0005, 0006, 0013, 0015, 0016, 0018, 0019, 0020, 0022, 0025, 0026.
			333B	595304	Armature-Magneto (EMC Compliant) (Used After Code Date 16063000) Used on Type No(s). 0004, 0005, 0013, 0014, 0015, 0019, 0022.	501A	794360	Regulator (9 Amp)
276B	846640	Washer-Sealing (Ruixing) (Used After Code Date 15112900) Used on Type No(s). 0003, 0004, 0005, 0006, 0012, 0015, 0016, 0019, 0020, 0021, 0024, 0025. ----- Note ----- 846640 Washer-Sealing (Used After Code Date 15122200) Used on Type No(s). 0002, 0007, 0008, 0009, 0010, 0011, 0013, 0014, 0017, 0018, 0022, 0023, 0026.	334	691061	Screw (Magneto Armature)	503	691532	Strap-Starter
			337	491055s	Plug-Spark (Resistor) ----- Note ----- 792015 Plug-Spark (EMS) Used on Type No(s). 0004, 0005, 0006, 0013, 0014, 0015, 0018, 0019, 0020, 0022, 0025. 793541 Plug-Spark (Platinum) Used on Type No(s). 0017.	505	691251	Nut (Governor Control Lever)
			346	794845	Screw (Arrester- Spark)	510	693699	Drive-Starter
			356B	697089	Wire-Stop	512	594200	Hose-Oil Drain
			358	796187	Gasket Set-Engine	513	692024	Clutch-Drive
			363	19203	Puller-Flywheel (71.5 mm (2.81 in.) ----- Note ----- 19165 Puller-Flywheel (50.8 mm (2.010 in.) 19069 Puller-Flywheel (41.3 mm (1.63 in.)	523	699908	Dipstick
300A	795998	Muffler				524	691032	Seal-Dipstick Tube
300B	795997	Muffler	377	691639	Key-Timing	525	697085	Tube-Dipstick
304E	592814	Housing-Blower (Black)	383	19576s	Wrench-Spark Plug	525A	697184	Tube-Dipstick Used on Type No(s). 0002, 0007, 0008, 0009, 0010, 0011, 0013, 0014, 0017, 0018, 0022, 0023, 0026.
305	697102	Screw (Blower Housing)	387A	808656	Pump-Fuel	526A	697088	Screw (Regulator)
305B	795891	Screw (Blower Housing to Elbow)	404	691691	Washer (Governor Crank)	552	697144	Bushing-Governor Crank
305C	799370	Screw (Blower Housing)	415	794903	Plug	559	697561	Screw (.375 Inches Remote Choke Stop) (Hex Head)
306	794953	Shield-Cylinder	415A	794129	Plug (Cover/Retainer)	559A	693675	Screw (.419 Inches Remote Choke Stop)
307	691693	Screw (Cylinder Shield)				562	691119	Bolt (Governor Control Lever)

Illustrations cover a range of engines. Parts shown without corresponding text may not be used on your specific engine.
10493-13 Assemblies include all parts shown in frames. 04/01/2016

33R800

REF. NO.	PART NO.	DESCRIPTION	REF. NO.	PART NO.	DESCRIPTION	REF. NO.	PART NO.	DESCRIPTION
579	691029	Nut (Starter Cable)	633B	690998	Seal-Choke/Throttle Shaft (Nikki) (Used Before Code Date 15122300) Used on Type No(s). 0003, 0004, 0005, 0006, 0012, 0015, 0016, 0019, 0020, 0021, 0024, 0025.	633D	594865	Seal-Choke/Throttle Shaft (Ruixing) (Used After Code Date 15112900) Used on Type No(s). 0003, 0004, 0005, 0006, 0012, 0015, 0016, 0019, 0020, 0021, 0024, 0025.
584	794682	Cover-Breather Passage (Use With Liquid Sealant-Reference 850)						
601	791850	Clamp-Hose (Green) ----- Note ----- 691038 Clamp-Hose (Black)						
613	691416	Screw (Muffler) (5/16x4.09)		690998	Seal-Choke/Throttle Shaft (Used Before Code Date 15122300) Used on Type No(s). 0002, 0007, 0008, 0009, 0010, 0011, 0013, 0014, 0017, 0018, 0022, 0023, 0026.		594865	Seal-Choke/Throttle Shaft (Used After Code Date 15122200) Used on Type No(s). 0002, 0007, 0008, 0009, 0010, 0011, 0013, 0014, 0017, 0018, 0022, 0023, 0026.
613A	691678	Screw (Muffler) (1/4x.63)						
613B	690297	Screw (Muffler)						
614	691620	Pin-Cotter						
616	692012	Crank-Governor						
617	692138	Seal-O Ring (Intake Manifold)	633C	594866	Seal-Choke/Throttle Shaft (Ruixing) (Used After Code Date 15112900) Used on Type No(s). 0003, 0004, 0005, 0006, 0012, 0015, 0016, 0019, 0020, 0021, 0024, 0025.	633E	797692	Seal-Choke/Throttle Shaft (Ruixing) (Used After Code Date 15112900) Used on Type No(s). 0003, 0004, 0005, 0006, 0012, 0015, 0016, 0019, 0020, 0021, 0024, 0025.
633	699813	Seal-Choke/Throttle Shaft (Nikki) (Used Before Code Date 15122300) Used on Type No(s). 0003, 0004, 0005, 0006, 0012, 0015, 0016, 0019, 0020, 0021, 0024, 0025. ----- Note ----- 699813 Seal-Choke/Throttle Shaft (Used Before Code Date 15122300) Used on Type No(s). 0002, 0007, 0008, 0009, 0010, 0011, 0013, 0014, 0017, 0018, 0022, 0023, 0026.		594866	Seal-Choke/Throttle Shaft (Used After Code Date 15122200) Used on Type No(s). 0002, 0007, 0008, 0009, 0010, 0011, 0013, 0014, 0017, 0018, 0022, 0023, 0026.		797629	Seal-Choke/Throttle Shaft (Used After Code Date 15122200) Used on Type No(s). 0002, 0007, 0008, 0009, 0010, 0011, 0013, 0014, 0017, 0018, 0022, 0023, 0026.

Illustrations cover a range of engines. Parts shown without corresponding text may not be used on your specific engine.
10493-14 Assemblies include all parts shown in frames. 04/01/2016

REF. NO.	PART NO.	DESCRIPTION	REF. NO.	PART NO.	DESCRIPTION	REF. NO.	PART NO.	DESCRIPTION
634B	698779	Seal-Choke/Throttle Shaft	847A	790442	Dipstick/Tube Assembly Used on Type No(s). 0002, 0007, 0008, 0009, 0010, 0011, 0013, 0014, 0017, 0018, 0022, 0023, 0026.	947B	846639	Solenoid-Fuel (Ruixing) (Used After Code Date 15112900) Used on Type No(s). 0003, 0004, 0005, 0006, 0012, 0015, 0016, 0019, 0020, 0021, 0024, 0025.
635	691909	Boot-Spark Plug	850	100106	Sealant-Liquid			
654	690958	Nut (Carburetor)	864	796002	Adapter-Muffler (Length 2.25 Inches)			----- Note ----- 846639 Solenoid-Fuel (Used After Code Date 15122200) Used on Type No(s). 0002, 0007, 0008, 0009, 0010, 0011, 0013, 0014, 0017, 0018, 0022, 0023, 0026.
676	795036	Deflector-Muffler	868	690968	Seal-Valve			
676A	396903	Deflector-Muffler	877	393456	Wire/Connector-Alternator (Dual Circuit)			
676B	795038	Deflector-Muffler	877D	790544	Wire/Connector-Alternator			
677	794845	Screw (Muffler Deflector)	883	692236	Gasket-Exhaust			
677A	690661	Screw (Muffler Deflector)	914	691108	Screw (Rocker Cover)	958	698183	Valve-Fuel Shut Off
684	697157	Screw (Breather Assembly)	918	791851	Hose-Vacuum (Fuel Pump)	964	799159	Cap-Connector
691	692407	Seal-Governor Shaft	943	690589	Seal-O Ring (Oil Pump Cover)	965	499613	Cover-Oil Pump
697	791680	Screw (Drive Cap)	947A	699915	Solenoid-Fuel (Nikki) (Used Before Code Date 15122300) Used on Type No(s). 0003, 0004, 0005, 0006, 0012, 0015, 0016, 0019, 0020, 0021, 0024, 0025.	967A	793685	Filter-Pre Cleaner
718	690959	Pin-Locating						
729	691335	Clip-Wire (Wire Saddle)						
729A	691224	Clip-Wire (Aluminum Coated Steel)						
741	697128	Gear-Timing						
750	790832	Screw (Oil Pump Cover)						
757	793242	Link-Counterweight						
758	793763	Counterweight						
759	697392	Pin-Counterweight						
773	796448	Retainer						
783	593935	Gear-Pinion						
789	698329	Harness-Wiring (Used Before Code Date 14040100).						
789C	594359	Wire Assembly (Used After Code Date 14033100).						
789B	692037	Harness-Wiring						
801	691283	Cap-Drive						
802	691286	Cap-End						
823	698941	Screw (Muffler Adapter) (5/16x.72)						
830	691095	Stud-Rocker Arm						
832A	595029	Guard-Muffler						
832B	706336	Guard-Muffler						
842	691031	Seal-O Ring (Dipstick Tube)						
847	790443	Dipstick/Tube Assembly (With Tube Connector)						

Illustrations cover a range of engines. Parts shown without corresponding text may not be used on your specific engine.
10493-15 Assemblies include all parts shown in frames. 04/01/2016

33R800

REF. NO.	PART NO.	DESCRIPTION	REF. NO.	PART NO.	DESCRIPTION	REF. NO.	PART NO.	DESCRIPTION
968A	591648	Cover-Air Cleaner (Black)	994	794945	Arrester-Spark	1059	698516	Kit-Screw/Washer
975A	699502	Bowl-Float (Nikki) (Used Before Code Date 15122300) Used on Type No(s). 0003, 0004, 0005, 0006, 0012, 0015, 0016, 0019, 0020, 0021, 0024, 0025. ----- Note ----- 699502 Bowl-Float (Used Before Code Date 15122300) Used on Type No(s). 0002, 0007, 0008, 0009, 0010, 0011, 0013, 0014, 0017, 0018, 0022, 0023, 0026.	1005	796084	Fan-Flywheel	1090	691293	Retainer-Brush
975B	594867	Bowl-Float (Ruixing) (Used After Code Date 15112900) Used on Type No(s). 0003, 0004, 0005, 0006, 0012, 0015, 0016, 0019, 0020, 0021, 0024, 0025. ----- Note ----- 594867 Bowl-Float (Used After Code Date 15122200) Used on Type No(s). 0002, 0007, 0008, 0009, 0010, 0011, 0013, 0014, 0017, 0018, 0022, 0023, 0026.	1017	796981	Screen-Oil Pump	1091	691333	Cap-Limiter
			1022	272475s	Cover-Rocker	1095	794152	Gasket Set-Valve
			1023	797421	Cover-Rocker (Use With Liquid Sealant-Reference 850)	1119	691183	Screw (Alternator)
			1024A	794644	Pump-Oil	1127	695407	Screw (Float Bowl)
			1026	692003	Rod-Push (Intake)	1139	796449	Washer
					----- Note ----- 692011 Rod-Push (Exhaust)	1263	697124	Reed-Breather
			1027	696854	Filter-Oil (Premium-Yellow)	1264	697104	Screw (Breather Reed)
					----- Note ----- 492932s Filter-Oil (Standard-Black)	1265	794151	Support-Blower Housing
			1029	691751	Arm-Rocker	1266	691917	Seal-O Ring (Intake Elbow)
			1034	690822	Guide-Push Rod	1266A	697123	Seal-O Ring
			1036		Label-Emissions (Available From A Briggs & Stratton Authorized Dealer)	1270	793243	Plug-AVS Counterweight
			1040	698368	Plate-Trim (Black)	1279	691108	Screw (Blower Housing Support)
			1044	698139	Screw (Flywheel)	1319	794467	Label-Warning
			1051	691265	Ring-Retaining	1319A	797669	Label-Warning
			1054	280275	Tie-Cable	1319B	21786GS	Label-Warning
			1058	277675TRI		1332	591991	Washer (Rotating Screen)
						1448	690260	Washer (Armature)

Illustrations cover a range of engines. Parts shown without corresponding text may not be used on your specific engine.