

# Illustrated Parts List

## Model Series

# 130G00

TYPE NUMBERS  
0001 through 0229.

### TABLE OF CONTENTS

Air Cleaner .....	7
Alternator .....	9
Armature .....	7
Blower Housing .....	9
Camshaft .....	2
Carburetor .....	6
Controls .....	8
Crankcase Cover .....	2
Crankshaft .....	2
Cylinder .....	2
Cylinder Head .....	4
Electric Starter .....	9
Electrical System .....	8
Exhaust System .....	5
Flywheel .....	9
Fuel Supply .....	5
Gasket Set .....	4
Gear Reduction .....	3
Governor Spring .....	8
Piston/Rings/Connecting Rod .....	2
Rewind Starter .....	9
Spark Plug .....	8
Warning Label .....	2



PRINTED IN U.S.A.

COPYRIGHT by BRIGGS & STRATTON CORPORATION  
All rights reserved. No part of this material may be reproduced or transmitted,  
in any form or by any means, electronic or mechanical, including photocopying,  
recording or by any information storage and retrieval system, without permission  
in writing from Briggs & Stratton Corporation.

# 130G00

1319 WARNING LABEL



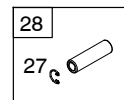
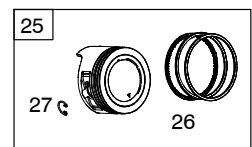
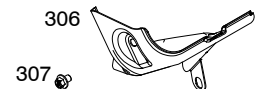
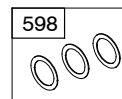
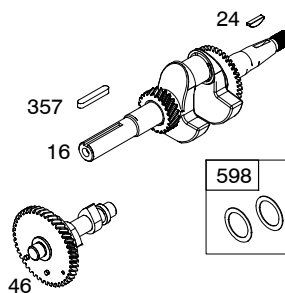
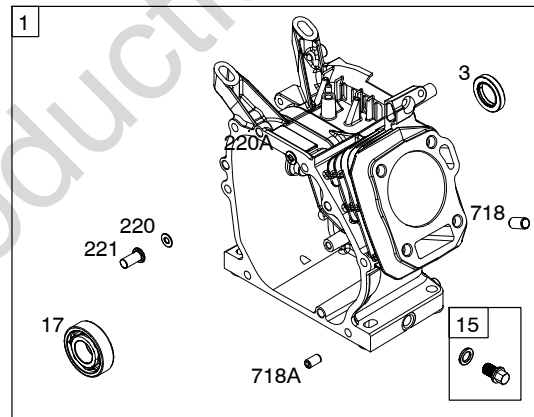
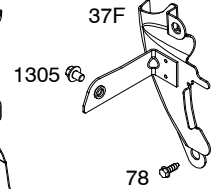
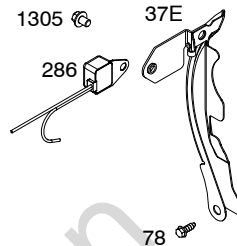
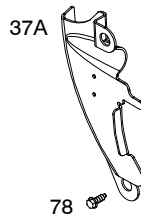
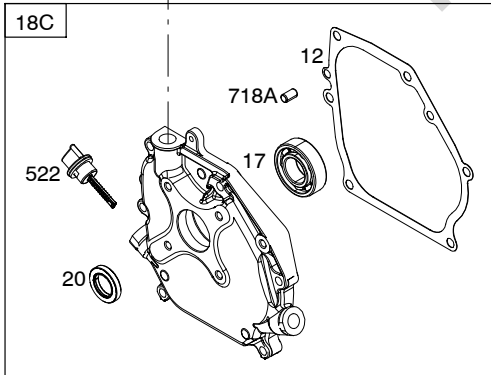
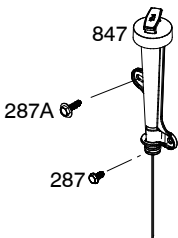
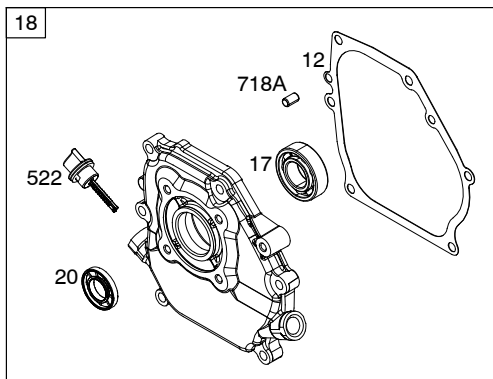
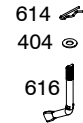
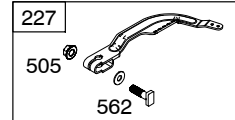
**REQUIRED** when replacing parts with warning labels affixed.

1319A WARNING LABEL

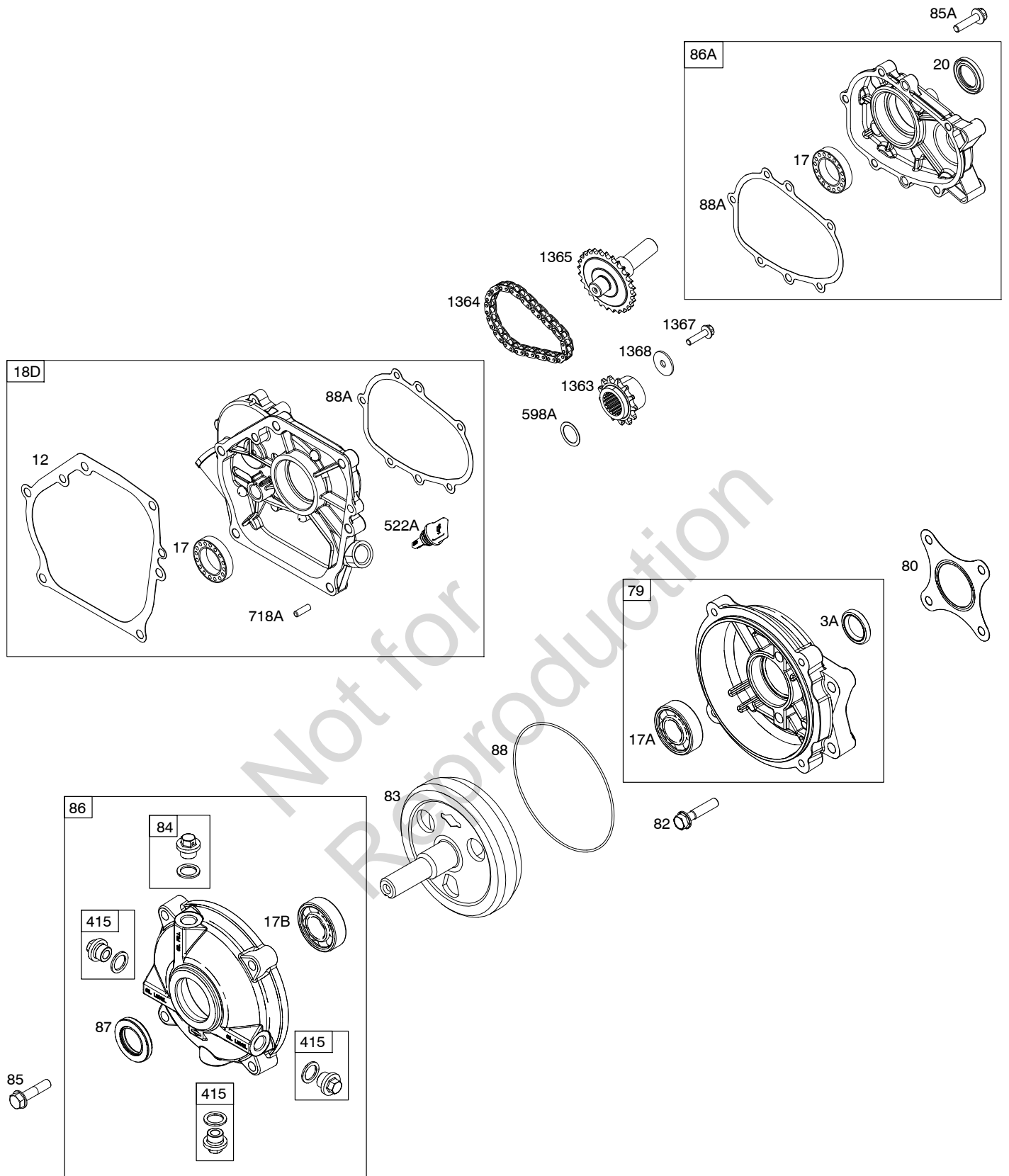


**REQUIRED** when replacing parts with warning labels affixed.

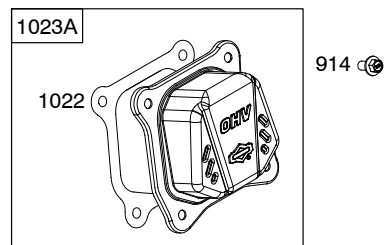
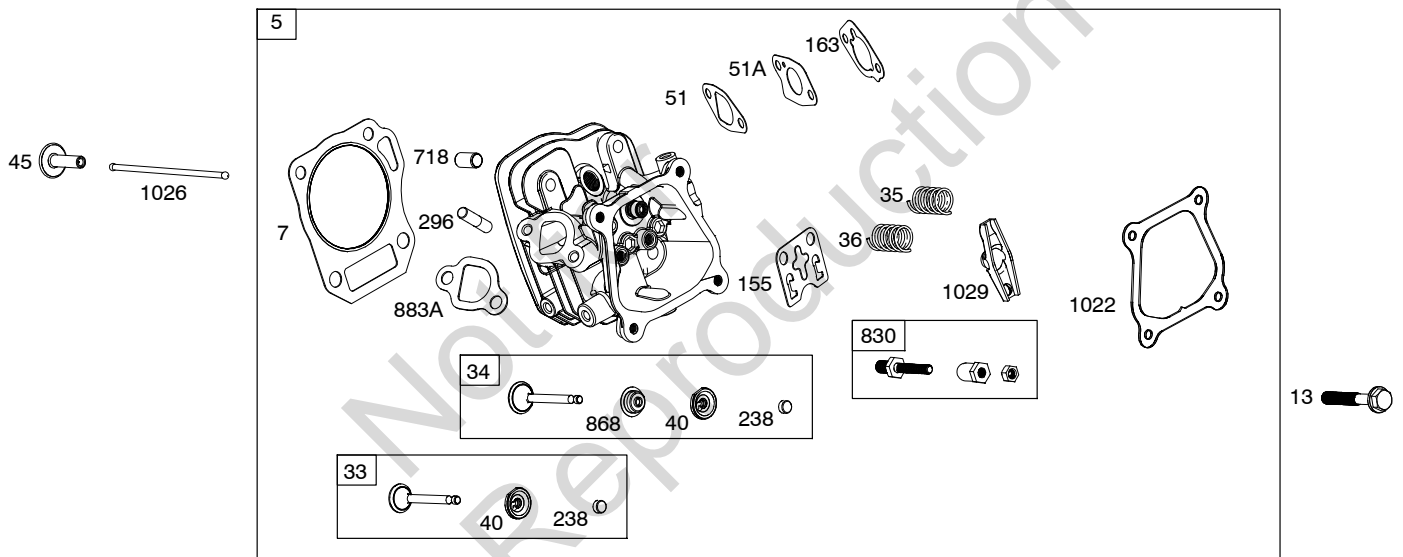
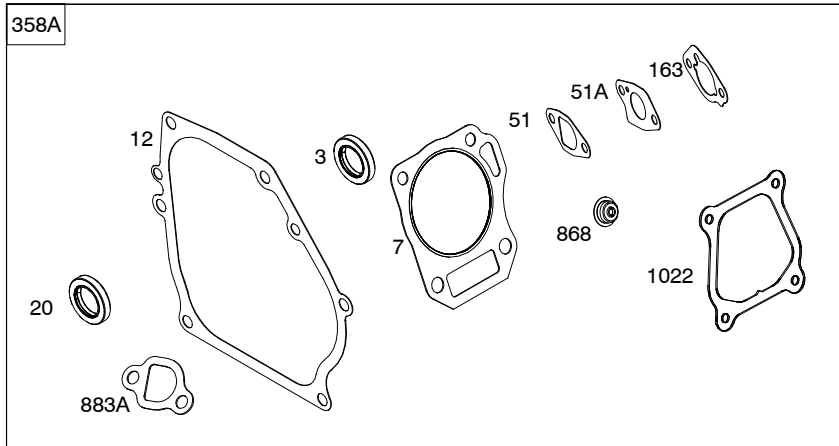
1036 EMISSIONS LABEL



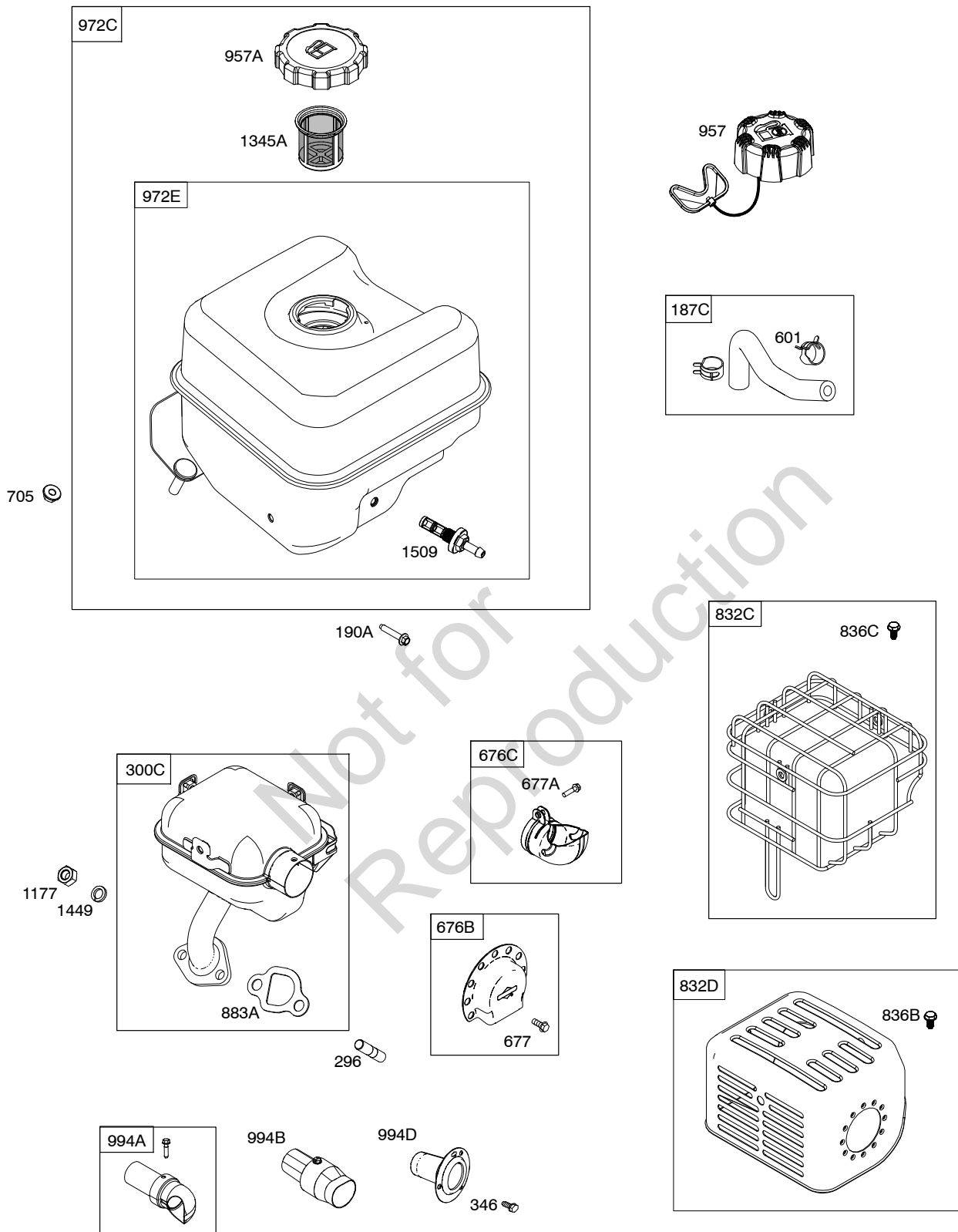
**Illustrations cover a range of engines. Parts shown without text may not be used on your specific engine.**



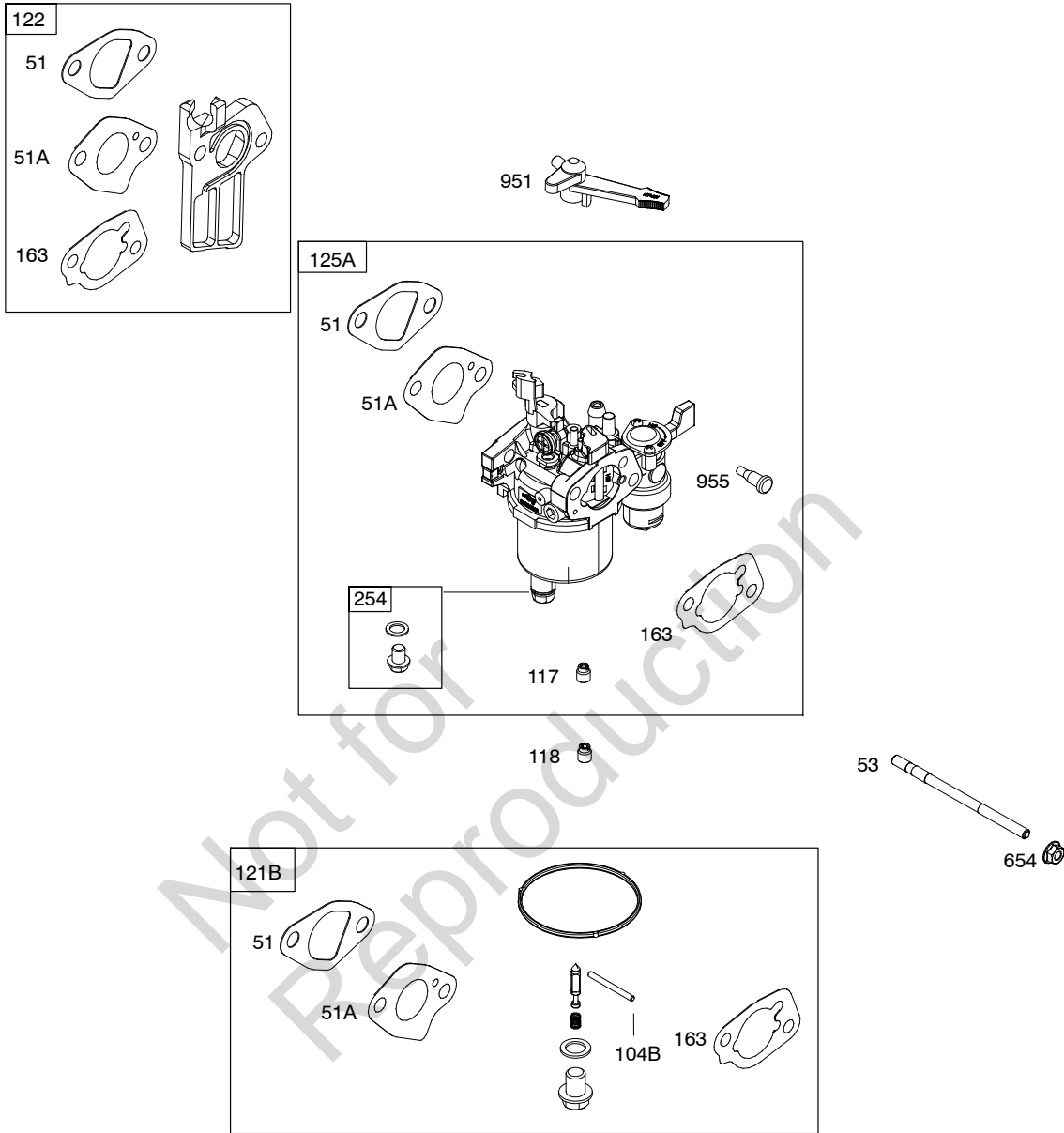
*Illustrations cover a range of engines. Parts shown without text may not be used on your specific engine.*



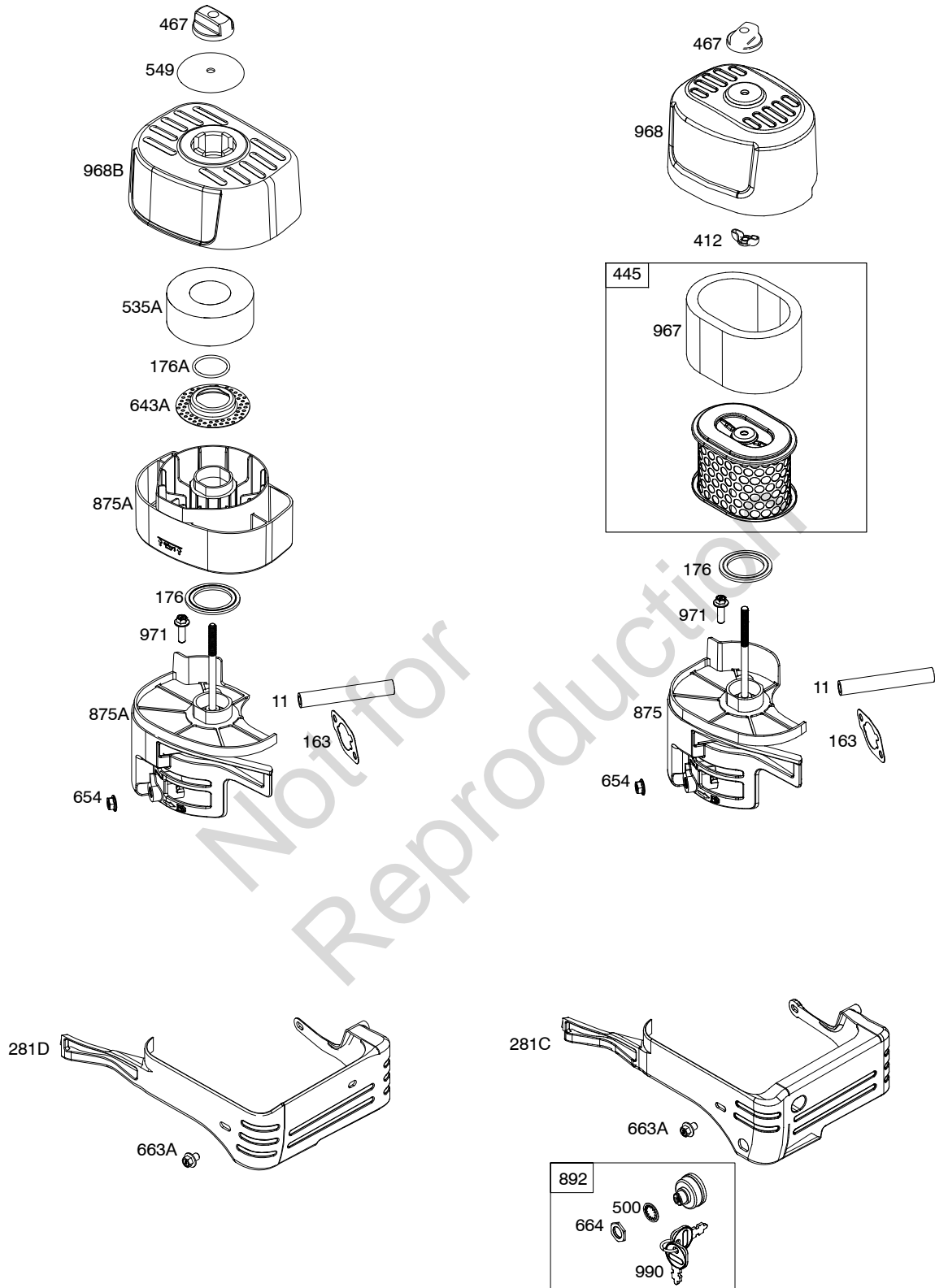
*Illustrations cover a range of engines. Parts shown without text may not be used on your specific engine.*



*Illustrations cover a range of engines. Parts shown without text may not be used on your specific engine.*

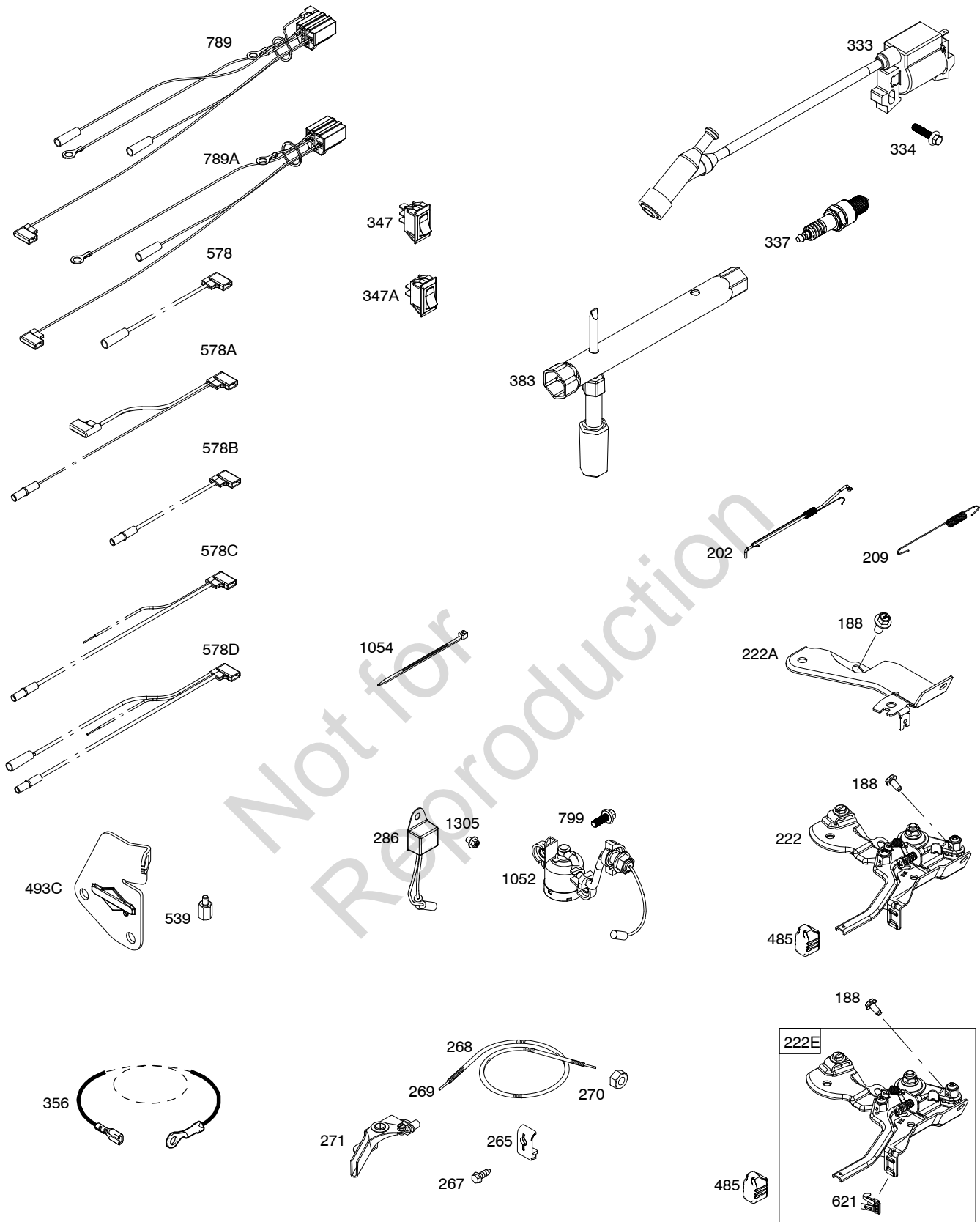


*Illustrations cover a range of engines. Parts shown without text may not be used on your specific engine.*



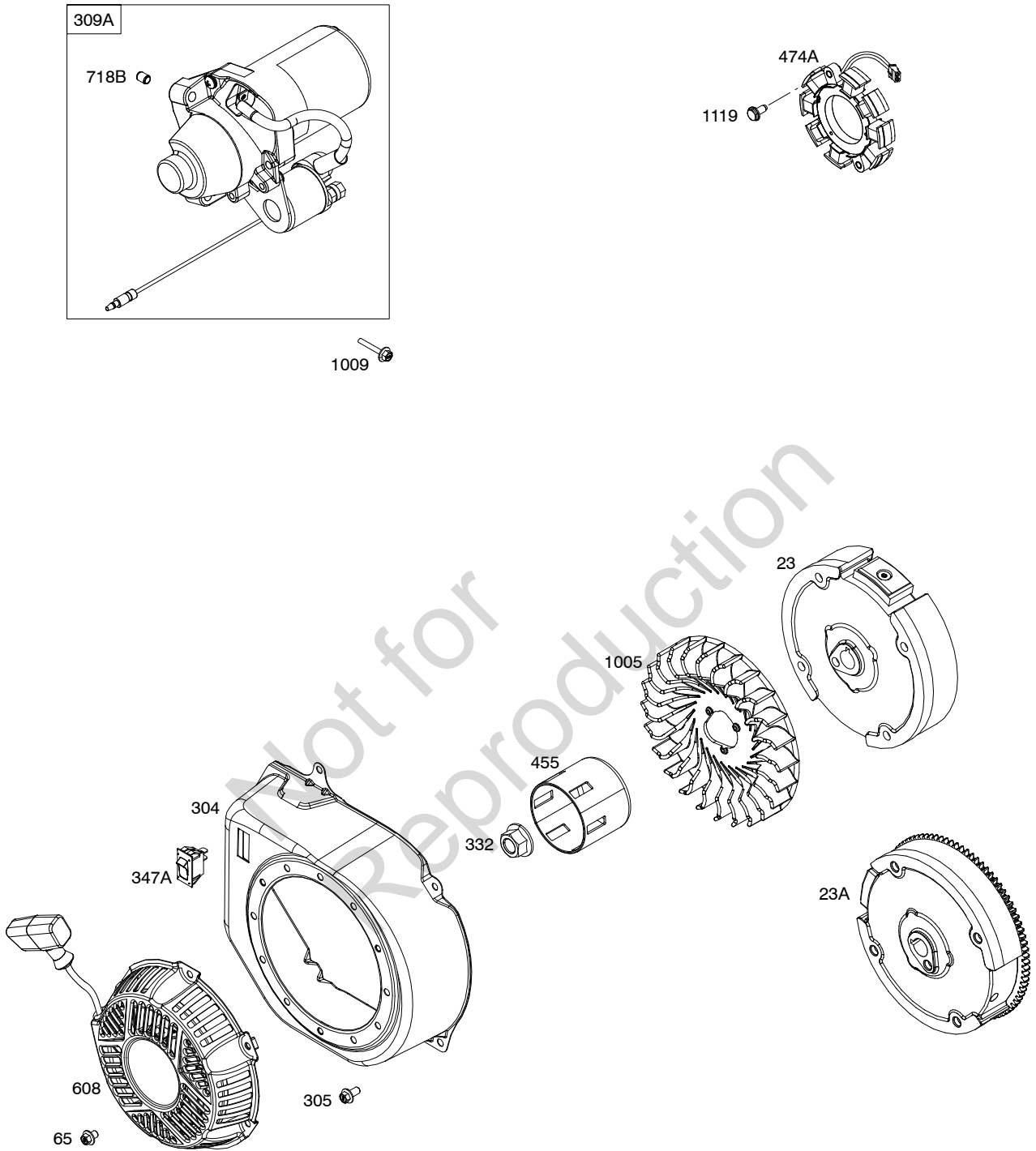
*Illustrations cover a range of engines. Parts shown without text may not be used on your specific engine.*

# 130G00



*Illustrations cover a range of engines. Parts shown without text may not be used on your specific engine.*





*Illustrations cover a range of engines. Parts shown without text may not be used on your specific engine.*

# 130G00

REF. NO.	PART NO.	DESCRIPTION	REF. NO.	PART NO.	DESCRIPTION	REF. NO.	PART NO.	DESCRIPTION
1	592916	Cylinder Assembly ----- <b>Note</b> ----- 592925 Cylinder Assembly Used on Type No(s). 0002, 0003, 0004, 0005, 0014, 0015, 0016, 0019, 0022, 0024, 0026, 0028, 0031, 0035, 0041, 0042, 0067, 0069, 0071, 0072, 0074, 0075, 0077, 0079, 0081, 0082, 0083, 0084, 0086, 0087, 0088, 0093, 0096, 0097, 0101, 0102, 0105, 0109, 0110, 0114, 0117, 0119, 0122, 0123, 0126, 0128, 0129, 0131, 0136, 0140, 0141, 0142, 0143, 0144, 0224, 0226.			593075 Crankshaft Used on Type No(s). 0031, 0075, 0094, 0097, 0109, 0128. 593367 Crankshaft Used on Type No(s). 0044, 0055, 0059, 0060, 0071, 0074, 0086, 0102, 0104, 0123, 0131, 0138. 594254 Crankshaft Used on Type No(s). 0072. 594386 Crankshaft Used on Type No(s). 0079, 0083, 0084, 0096.  594252 Crankshaft Used on Type No(s). 0129. 595420 Crankshaft Used on Type No(s). 0119. 595439 Crankshaft Used on Type No(s). 0135, 0137. 595440 Crankshaft Used on Type No(s). 0142, 0143, 0144.			593074 Cover-Crankcase Used on Type No(s). 0030, 0035, 0037, 0042, 0044, 0047, 0048, 0055, 0059, 0060, 0064, 0071, 0072, 0074, 0077, 0082, 0083, 0086, 0089, 0094, 0095, 0111, 0117, 0120, 0123, 0131, 0138.
3	590712	Seal-Oil (Magneto Side)				18D	595452	Cover-Crankcase
3A	299819S	Seal-Oil (Magneto Side)				20	590712	Seal-Oil (PTO Side)
5	591454	Head-Cylinder				22	590714	Screw (Crankcase Cover/Sump)
7	591445	Gasket-Cylinder Head				23	590681	Flywheel
11	590698	Tube-Breather	17	590715	Bearing-Ball	23A	591534	Flywheel
12	590608	Gasket-Crankcase	17A	99158	Bearing-Ball	24	797286	Key-Flywheel
13	590639	Screw (Cylinder Head)	17B	792745	Bearing-Ball	25	591451	Piston Assembly (Standard)
15	590678	Plug-Oil Drain	18	590717	Cover-Crankcase Used on Type No(s). 0135, 0137.			----- <b>Note</b> ----- 592955 Piston Assembly (Standard) Used on Type No(s). 0015, 0021, 0022, 0040, 0056, 0061, 0063, 0064, 0067, 0069, 0075, 0077, 0082, 0092, 0093, 0101, 0110, 0112, 0115, 0116, 0121, 0122, 0124, 0126, 0127, 0128, 0130, 0132, 0133, 0134, 0135, 0136, 0137, 0141. 591551 Piston Assembly (.020" Oversize)
16	591520	Crankshaft ----- <b>Note</b> ----- 592924 Crankshaft Used on Type No(s). 0002, 0024, 0027, 0028, 0029, 0030, 0035, 0042, 0077, 0089, 0111, 0117, 0120, 0224, 0229. 592933 Crankshaft Used on Type No(s). 0004, 0069, 0087. 592959 Crankshaft Used on Type No(s). 0020, 0127, 0141.	18C	592296	Cover-Crankcase ----- <b>Note</b> ----- 592963 Cover-Crankcase Used on Type No(s). 0003, 0015, 0020, 0087, 0122, 0129, 0136.			

Illustrations cover a range of engines. Parts shown without corresponding text may not be used on your specific engine.  
10459-10 Assemblies include all parts shown in frames. 01/25/2016

REF. NO.	PART NO.	DESCRIPTION	REF. NO.	PART NO.	DESCRIPTION	REF. NO.	PART NO.	DESCRIPTION
	<b>592956</b>	Piston Assembly (.020" Oversize) Used on Type No(s). 0015, 0021, 0022, 0040, 0056, 0061, 0063, 0064, 0067, 0069, 0075, 0077, 0082, 0092, 0093, 0101, 0110, 0112, 0115, 0116, 0121, 0122, 0124, 0126, 0127, 0128, 0130, 0132, 0133, 0134, 0135, 0136, 0137, 0141.	<b>27</b>	<b>590664</b>	Lock-Piston Pin	<b>86</b>	<b>792748</b>	Cover-Gear
			<b>28</b>	<b>590663</b>	Pin-Piston	<b>86A</b>	<b>595449</b>	Cover-Gear
			<b>29</b>	<b>590665</b>	Rod-Connecting	<b>87</b>	<b>792752</b>	Seal-Gear Reduction
			<b>33</b>	<b>591448</b>	Valve-Exhaust	<b>88</b>	<b>792760</b>	Gasket-Gear Cover/Housing
			<b>34</b>	<b>591447</b>	Valve-Intake	<b>88A</b>	<b>595445</b>	Gasket-Gear Cover/Housing
			<b>35</b>	<b>590650</b>	Spring-Valve (Intake)	<b>104B</b>	<b>592486</b>	Pin-Float Hinge
			<b>36</b>	<b>590650</b>	Spring-Valve (Exhaust)	<b>117</b>	<b>592875</b>	Jet-Main (Standard)
			<b>37A</b>	<b>591453</b>	Guard-Flywheel Used on Type No(s). 0130, 0133.			<b>----- Note -----</b> <b>592917</b> Jet-Main (Standard)
			<b>37D</b>	<b>592865</b>	Guard-Flywheel			Used on Type No(s). 0032, 0034, 0036, 0039, 0044, 0055, 0057, 0059, 0086, 0138, 0143.
			<b>37E</b>	<b>594473</b>	Guard-Flywheel			
			<b>37F</b>	<b>595423</b>	Guard-Flywheel Used on Type No(s). 0129, 0136.			
<b>26</b>	<b>591452</b>	Ring Set (Standard) <b>----- Note -----</b> <b>592957</b> Ring Set (Standard) Used on Type No(s). 0015, 0021, 0022, 0040, 0056, 0061, 0063, 0064, 0067, 0069, 0075, 0077, 0082, 0092, 0093, 0101, 0110, 0112, 0115, 0116, 0121, 0122, 0124, 0126, 0127, 0128, 0130, 0132, 0133, 0134, 0135, 0136, 0137, 0141.	<b>40</b>	<b>590654</b>	Retainer-Valve	<b>118</b>	<b>593359</b>	Jet-Main (High Altitude) <b>----- Note -----</b> <b>593360</b> Jet-Main (High Altitude) Used on Type No(s). 0032, 0034, 0036, 0039, 0044, 0055, 0057, 0059, 0086, 0138, 0143.
			<b>45</b>	<b>591449</b>	Tappet-Valve			
			<b>46</b>	<b>593289</b>	Camshaft			
			<b>51</b>	<b>590612</b>	Gasket-Intake	<b>121B</b>	<b>591770</b>	Kit-Carburetor Overhaul
			<b>51A</b>	<b>590613</b>	Gasket-Intake	<b>122</b>	<b>590615</b>	Spacer-Carburetor
			<b>53</b>	<b>590691</b>	Stud (Carburetor)	<b>125A</b>	<b>592864</b>	Carburetor <b>----- Note -----</b> <b>593351</b> Carburetor Used on Type No(s). 0032, 0034, 0036, 0039, 0044, 0055, 0057, 0059, 0086, 0138, 0143. <b>593410</b> Carburetor Used on Type No(s). 0071, 0072, 0079, 0097, 0109, 0142, 0224, 0225, 0226, 0229.
			<b>65</b>	<b>590683</b>	Screw (Rewind Starter)	<b>155</b>	<b>592874</b>	Plate-Cylinder Head
			<b>78</b>	<b>590643</b>	Screw (Flywheel Guard)	<b>163</b>	<b>590605</b>	Gasket-Air Cleaner
			<b>79</b>	<b>792746</b>	Case-Gear Reduction	<b>176</b>	<b>590695</b>	Seal-O Ring (Air Cleaner Base)
			<b>80</b>	<b>792755</b>	Gasket-Gear Case	<b>176A</b>	<b>793441</b>	Seal-O Ring (Air Cleaner Base)
			<b>82</b>	<b>792753</b>	Screw (Gear Reduction Case)			
			<b>83</b>	<b>792756</b>	Shaft-Auxiliary Drive			
			<b>84</b>	<b>792759</b>	Plug-Breather			
			<b>85</b>	<b>690711</b>	Screw (Gear Cover)			
			<b>85A</b>	<b>807421</b>	Screw (Gear Cover)			

# 130G00

REF. NO.	PART NO.	DESCRIPTION	REF. NO.	PART NO.	DESCRIPTION	REF. NO.	PART NO.	DESCRIPTION
187C	592867	Line-Fuel (Formed Hose)	220	590677	Washer (Governor Gear) (.020" Thick)	300C	592861	Muffler
188	590850	Screw (Control Bracket)	220A	590675	Washer (Governor Gear) (.040" Thick)	304	590724	Housing-Blower ----- Note ----- 590725 Housing-Blower
190A	591476	Screw (Fuel Tank)	221	590676	Cup-Governor			Used on Type No(s). 0006, 0007, 0018, 0032, 0034, 0036, 0037, 0044, 0047, 0048, 0061, 0062, 0064, 0068, 0082, 0092, 0095, 0104, 0115, 0116, 0120, 0127, 0137, 0140.
202	592866	Link-Mechanical Governor	222	592413	Bracket-Control			595426 Housing-Blower Used on Type No(s). 0129, 0130, 0133, 0136.
209	590625	Spring-Governor (Blue) ----- Note ----- 590626 Spring - Governor (Red) (Used After Code Date 14050100) Used on Type No(s). 0008, 0018, 0022, 0032, 0036, 0091. 590625 Spring - Governor (Blue) (Used Before Code Date 14050200) Used on Type No(s). 0008, 0018, 0022, 0032, 0036.	222A	591614	Bracket-Control Used on Type No(s). 0079, 0083, 0084, 0096, 0097.	305	590850	Screw (Blower Housing)
		590627 Spring - Governor (Green) Used on Type No(s). 0016. 590624 Spring - Governor (White) Used on Type No(s). 0007, 0034, 0056, 0061, 0062, 0068, 0116. 594474 Spring - Governor (Red) Used on Type No(s). 0079, 0084, 0096. 591624 Spring - Governor (Yellow) Used on Type No(s). 0083, 0097. 590623 Spring - Governor (Yellow) Used on Type No(s). 0111, 0133.	222E	593204	Bracket-Control Used on Type No(s). 0006, 0007, 0032, 0034, 0036, 0037, 0044, 0047, 0048, 0061, 0062, 0064, 0068, 0082, 0095, 0104, 0115, 0120, 0127, 0137, 0140.	306	590636	Shield-Cylinder
			227	590660	Lever-Governor Control	307	590683	Screw (Cylinder Shield)
			238	590649	Cap-Valve	309A	595424	Motor-Starter
			254	592493	Drain-Carburetor Bowl	332	590635	Nut (Flywheel)
			265	691024	Clamp-Casing	333	590603	Armature-Magneto
			267	699492	Screw (Casing Clamp)	334	590644	Screw (Magneto Armature)
			268	691025	Casing-Control Wire (Cut To Required Length)	337	491055s	Plug-Spark (Resistor) ----- Note ----- 691043 Plug-Spark (EMS)
			269	691026	Wire-Control (Cut To Required Length)	346	699203	Screw (Spark Arrestor)
			270	691027	Nut (Control Wire Casing)			
			271	691028	Lever-Control			
			281D	592863	Panel-Control			
			281C	595427	Panel-Control			
			286	590702	Module-Oil Sensor			
			287	590850	Screw (Dipstick Tube)			
			287A	790557	Screw (Dipstick Tube)			
			296	590631	Stud (Muffler)			

Illustrations cover a range of engines. Parts shown without corresponding text may not be used on your specific engine.  
10459-12 Assemblies include all parts shown in frames. 01/25/2016

REF. NO.	PART NO.	DESCRIPTION	REF. NO.	PART NO.	DESCRIPTION	REF. NO.	PART NO.	DESCRIPTION
347	697854	Switch-Rocker	549	593365	Washer (Air Cleaner)	676B	393760	Deflector-Muffler
347A	795333	Switch-Rocker				676C	697816	Deflector-Muffler
356	695630	Wire-Stop	562	590640	Bolt (Governor Control Lever)	677	699203	Screw (Muffler Deflector)
357	798305	Key-Drive Pulley				677A	699776	Screw (Muffler Deflector)
		----- Note ----- 590719 Key-Drive Pulley Used on Type No(s). 0002, 0024, 0027, 0028, 0029, 0030, 0035, 0042, 0044, 0055, 0059, 0060, 0071, 0074, 0086, 0089, 0102, 0111, 0117, 0120, 0123, 0131, 0138, 0142, 0143, 0144, 0224, 0229.	578	590690	Wire Assembly	705	592620	Nut (Fuel Tank)
			578A	590689	Wire Assembly	718	590637	Pin-Locating (Cylinder Head)
			578B	592247	Wire Assembly Used on Type No(s). 0018, 0092, 0116.	718A	590713	Pin-Locating (Crankcase Cover)
			578C		Wire Assembly (For Replacement Wire Assembly, Order Reference 578D) Used on Type No(s). 0082.	718B	591466	Pin-Locating (Starter Motor)
			578D	590722	Wire Assembly Used on Type No(s). 0006, 0007, 0032, , 0034, 0036, 0037, 0044, 0047, 0048, 0061, 0062, 0064, 0068, 0095, 0104, 0115, 0120, 0127, 0137, 0140.	789	595429	Harness-Wiring Used on Type No(s). 0129, 0136. ----- Note ----- 595430 Harness-Wiring Used on Type No(s). 0130.
358A	594951	Gasket Set-Engine	598	594475	Shim-End Play (Crankshaft or Camshaft Bearing) (For Pump Applications Only)	789A	595431	Harness-Wiring Used on Type No(s). 0133.
383	590721	Wrench-Spark Plug				799	590703	Screw (Oil Sensor)
404	590669	Washer (Governor Crank)				830	590653	Stud-Rocker Arm
412	590697	Nut (Air Cleaner Cover)				832C	592862	Guard-Muffler
415	792749	Plug (Gear Cover)				832D	592918	Guard-Muffler
445	590601	Filter-Air Cleaner Cartridge	598A	595451	Shim-End Play (Crankshaft or Camshaft Bearing)	836B	590683	Screw (Muffler Guard)
455	590682	Cup-Flywheel				836C	590850	Screw (Muffler Guard)
467	691985	Knob-Air Cleaner Cover	601	791850	Clamp-Hose	847	591444	Dipstick/Tube Assembly
474A	591533	Alternator (60W A/C Only)	608	590607	Starter-Rewind ----- Note ----- 593368 Starter-Rewind Used on Type No(s). 0056, 0061, 0062, 0077, 0091.	868	590648	Seal-Valve (Intake)
		----- Note ----- 595425 Alternator (3 AMP Unregulated D/C Only) Used on Type No(s). 0129, 0130, 0133, 0136, 0144.				875	590693	Base-Air Cleaner
485	797339	Knob-Control	614	590670	Pin-Cotter	875A	593362	Base-Air Cleaner
493C	593449	Bracket-Mounting	616	590668	Crank-Governor	883A	591156	Gasket-Exhaust
500	691086	Washer (Key Switch)	621	692310	Switch-Stop	892	595428	Switch-Key
505	590641	Nut (Governor Control Lever)	643A	593363	Retainer-Air Filter	914	590850	Screw (Rocker Cover)
522	590716	Plug-Dipstick/Fill	654	590692	Nut (Carburetor)	951	590614	Lever-Choke
522A	798503	Plug-Dipstick/Fill				955	595329	Plug-Carburetor
535A	792472	Filter-Air Cleaner Foam	663A	590850	Screw (Control Panel)	957	799324	Cap-Fuel Tank
539	593448	Stud (Fuel Injector Rail)	664	691087	Nut (Key Switch)	957A	794641	Cap-Fuel Tank
						967	590602	Filter-Pre Cleaner
						968	590694	Cover-Air Cleaner
						968B	593364	Cover-Air Cleaner

*Illustrations cover a range of engines. Parts shown without corresponding text may not be used on your specific engine.*  
 10459-13 Assemblies include all parts shown in frames. 01/25/2016

# 130G00

REF. NO.	PART NO.	DESCRIPTION	REF. NO.	PART NO.	DESCRIPTION	REF. NO.	PART NO.	DESCRIPTION
971	590643	Screw (Air Cleaner Base to Carburetor/Throttle Body)	994B	790153	Arrestor-Spark	1305	590683	Screw (Oil Sensor Module)
972C	592877	Tank-Fuel	994D	793985	Arrestor-Spark	1319	794467	Label-Warning
972E	592954	Tank-Fuel	1005	590679	Fan-Flywheel	1319A	797669	Label-Warning
		Used on Type No(s). 0015, 0021, 0022, 0040, 0056, 0061, 0063, 0064, 0067, 0069, 0075, 0077, 0082, 0092, 0093, 0101, 0110, 0112, 0115, 0116, 0121, 0122, 0124, 0126, 0127, 0128, 0130, 0132, 0133, 0134, 0135, 0136, 0137, 0141.	1009	591476	Screw (Starter Motor)	1345A	792917	Filter-Filler Neck
			1022	797194	Gasket-Rocker Cover	1363	595446	Sprocket-Gear Reduction
			1023A	592903	Cover-Rocker	1364	595447	Chain-Gear Reduction
			1026	590658	Rod-Push	1365	595448	Shaft-Output Gear Reduction
			1029	590651	Arm-Rocker	1367	690936	Screw (Gear Reduction Sprocket)
			1036		Label-Emissions (Available From A Briggs & Stratton Authorized Dealer)	1368	595450	Washer (Gear Reduction Sprocket)
			1052	590671	Sensor-Oil	1449	590633	Washer (Muffler)
			1054	280275	Tie-Cable	1509	797346	Outlet-Tank
			1119	590644	Screw (Alternator)			
			1177	590632	Nut (Muffler)			
990	691959	Key Set						
994A	593207	Arrestor-Spark Used on Type No(s). 0030, 0047, 0095, 0096, 0120.						

Not for  
Reproduction

Not for  
Reproduction

Not for  
Reproduction

