

# Caterpillar Limited Warranty



For portable generator models RP3600, RP5500, RP6500 E, RP7500 E  
purchased in the United States and Canada

## Summary of Caterpillar Warranty

Please refer to Owner's Manual for full Warranty Terms and Conditions.

- Three year<sup>1</sup> limited to 1,000 run hours of operating coverage against factory defects in materials and workmanship, competition standard during benchmarking two years limited at 500 run hours<sup>2</sup>.
- Any warrantable repairs carried out by Cat<sup>®</sup> Home & Outdoor Power Authorized Service Centers are covered 100% for parts and labor to repair your unit.
- All service/repair parts, including batteries for electric start models, are warranted for 1 year from date of purchase versus battery exclusions and powertrain only warranty offered by competitors<sup>2</sup>.
- All warranty repairs are completed with OEM parts by Cat Home & Outdoor Power Authorized Service Centers.
- Customer friendly online registration process with proof of purchase upload functionality.

<sup>1</sup>Third year warranty subject to product registration within 30 days of purchase. See overleaf for registration information.

<sup>2</sup>Competitor information gathered during benchmarking and correct at time of publication.

## 24/7/365 Maintenance & Repair Support



24/7/365 help online at  
[www.cat.com/homeandoutdoorpower-support](http://www.cat.com/homeandoutdoorpower-support)  
or call toll free at 1.844.797.6387



LEYQ0005-00

© 2016 Caterpillar. All Rights Reserved.

CAT, CATERPILLAR, BUILT FOR IT, their respective logos, "Caterpillar Yellow" and the "Power Edge" trade dress, as well as corporate and product identity used herein, are trademarks of Caterpillar and may not be used without permission.

**BUILT FOR IT.™**

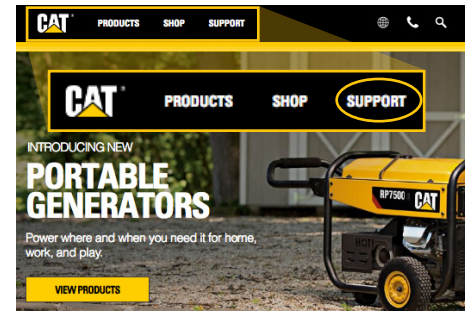
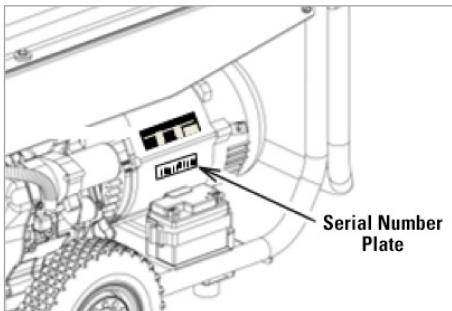
# Registering Your Portable Generator



24/7/365 help online at [www.cat.com/homeandoutdoorpower-support](http://www.cat.com/homeandoutdoorpower-support)

Your Cat® portable generator comes with a 2 year limited warranty with an option to increase to 3 years limited warranty. To take advantage of the 3 year limited warranty, simply complete the online registration within 30 days of purchase. The warranty is valid for the full 3 years if registered, or 1000 operating hours, whichever occurs first.

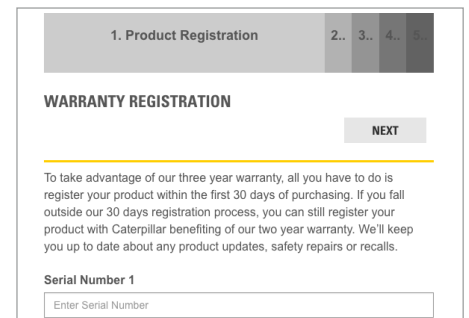
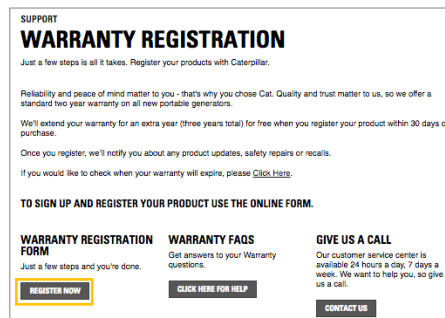
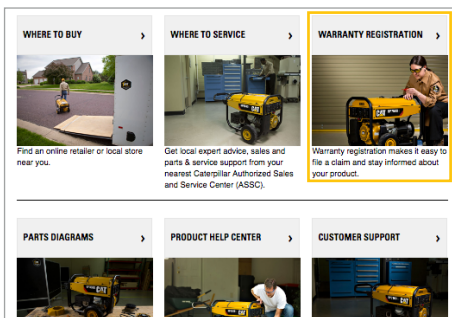
How do I register my Cat portable generator?



1 Locate your portable generator serial number as stated on the packaging or from the engine housing.

2 Go to [www.cat.com/homeandoutdoorpower](http://www.cat.com/homeandoutdoorpower).

3 Select SUPPORT.



4 Select WARRANTY REGISTRATION.

5 Select REGISTER NOW.

6 Enter your personal information, product information and serial number.

7 Upload a copy of your sales receipt (optional).

8 Complete a short survey.

Caterpillar will confirm registration and additional warranty by email within 24 hours.

Need help with the on-line registration? Please contact our toll-free 24/7/365 Customer Interaction Center at 1-844-797-6387.

Please note all warrantable repairs on Caterpillar portable generators carried out by Caterpillar Authorized Service Centers are completed using OEM parts and cover 100% of parts and labor costs.



LEYQ0005-00

© 2016 Caterpillar. All Rights Reserved.

CAT, CATERPILLAR, BUILT FOR IT, their respective logos, "Caterpillar Yellow" and the "Power Edge" trade dress, as well as corporate and product identity used herein, are trademarks of Caterpillar and may not be used without permission.

**BUILT FOR IT.™**