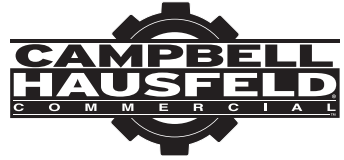


Air Ratchet



MODELS: CL150100 AND CL154800

Description

Air ratchets are designed to remove and install threaded fasteners.

Unpacking

After unpacking the unit, inspect carefully for any damage that may have occurred during transit. Make sure to tighten fittings, bolts, etc., before putting unit into service.

READ & FOLLOW ALL INSTRUCTIONS

**SAVE THESE INSTRUCTIONS
DO NOT DISCARD**

Safety Guidelines

This manual contains information that is very important to know and understand. This information is provided for SAFETY and to PREVENT EQUIPMENT PROBLEMS. To help recognize this information, observe the following symbols.

▲ DANGER

Danger indicates an imminently hazardous situation which, if not avoided, WILL result in death or serious injury.

▲ WARNING

Warning indicates a potentially hazardous situation which, if not avoided, COULD result in death or serious injury.

▲ CAUTION

Caution indicates a potentially hazardous situation which, if not avoided, MAY result in minor or moderate injury.

NOTICE

Notice indicates important information, that if not followed, may cause damage to equipment.

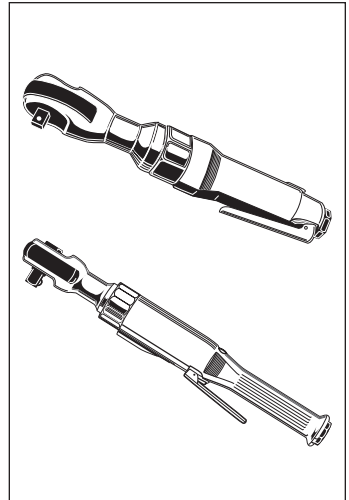
NOTE: Information that requires special attention.

General Safety Information

CALIFORNIA PROPOSITION 65

▲ WARNING

This product or its power cord may contain chemicals, including lead, known to the State of California to cause cancer and birth defects or other reproductive harm. Wash hands after handling.



Please read and save these instructions. Read carefully before attempting to assemble, install, operate or maintain the product described. Protect yourself and others by observing all safety information. Failure to comply with instructions could result in personal injury and/or property damage! Retain instructions for future reference.

General Safety Information (Continued)

⚠ WARNING

You can create dust when you cut, sand, drill or grind materials such as wood, paint, metal, concrete, cement, or other masonry. This dust often contains chemicals known to cause cancer, birth defects, or other reproductive harm. Wear protective gear.



⚠ WARNING

Release ALL pressure from the system before attempting to install, service, relocate or perform any maintenance.



4. Disconnect air tool from air supply when not in use and before changing tools, attachments or performing service.

⚠ WARNING

Safety glasses and ear protection MUST be worn during operation.



GENERAL SAFETY

This product is a part of a high pressure system and the following safety precautions must be followed at all times along with any other existing safety rules.

1. Read ALL manuals included with this product carefully. Be thoroughly familiar with the controls and the proper use of the equipment.
2. ONLY persons well acquainted with these rules of safe operation should be allowed to use the air tool.



⚠ DANGER

Do NOT exceed maximum operating pressure of the air tool (90 PSI). The air tool COULD explode and result in death or serious personal injury.



3. Do NOT exceed any pressure rating of any component in the system. Maximum operating pressure of 90 PSI is measured at the tool inlet while the tool is running. The pressure drop between the compressor and tool needs to be compensated for at the compressor.

⚠ WARNING

Excessive exposure to vibration, working in awkward positions and repetitive work motions can cause injury to hands and arms. Stop using any tool if discomfort, numbness, tingling or pain occur and consult a physician.

8. Check air hoses for weak or worn condition before each use. Make sure ALL connections are secure.
9. Protect air lines from damage or puncture. Do NOT carry tool by air hose.
10. NEVER trigger the tool when not applied to a work object. Attachments MUST be securely attached. Loose attachments can cause serious injury.

11. ALWAYS use attachments designed for use with air powered tools. Do NOT use damaged or worn attachments.
12. Keep ALL nuts, bolts and screws tight and ensure equipment is in safe working condition.
13. ALWAYS secure workpiece in a vise or clamp.
14. NEVER point an air tool at oneself or any other person. Serious injury COULD occur.

Operation

To remove nuts, turn the forward/reverse dial to the right. To install nuts, turn the forward/reverse dial to the left. Reverse the procedure if the threads are left-handed. Do not overtighten the nuts.

▲ WARNING *When tightening, do not torque down the nuts or bolts with the ratchet as typically done with a hand wrench. This can damage the tool by breaking parts in the ratchet mechanism.*

▲ WARNING *Never carry a tool by the hose or pull the hose to move the tool or a compressor. Keep hoses away from*

heat, oil and sharp edges. Replace any hose that is damaged, weak or worn.

SET-UP INSTRUCTIONS

Air tools require a supply of clean, dry air at 90 PSI (6.2 bar). An air supply system with filter, regulator, and lubricator (FRL) as shown in Figure 1 should be used.

Campbell Hausfeld FRL model PA2104 (3/8 inch) or PA2114 (1/2 inch) is recommended.

Water in the air supply can damage an air tool. Drain condensate from compressor tank and filter daily.

All hoses and fittings must be the correct size and tightly fastened. Refer to chart below for minimum sizes.

Tool Air Consumption	Hose ID
Less than 9 SCFM @ 100% usage	1/4 inch
9 to 34 SCFM @ 100% usage	3/8 inch
Greater than 34 SCFM @ 100% usage	1/2 inch

Chart 1 - Suggested minimum hose diameter to use based on 50 ft length hose and continuous SCFM rating of tool. The use of fittings and longer hose may require a larger diameter hose to be used.

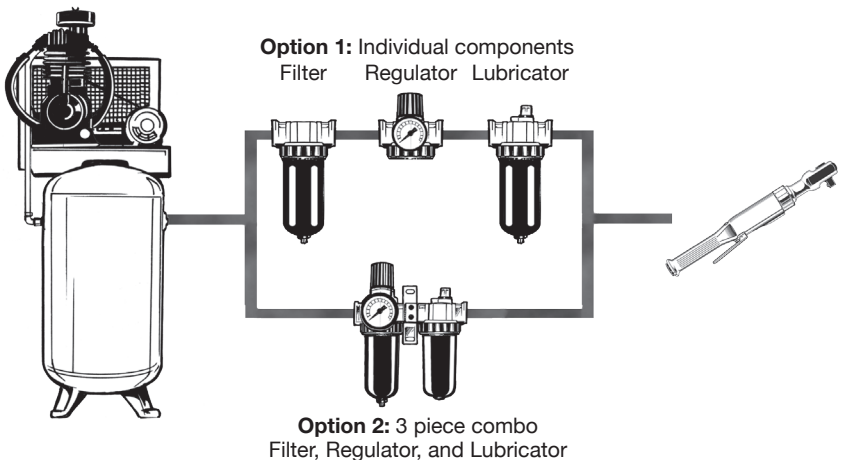


Figure 1

Operation (Continued)

▲ WARNING Do not use hoses or fittings that are damaged or deteriorated.

▲ WARNING Never carry a tool by the hose or pull the hose to move the tool or a compressor. Keep hoses away from heat, oil and sharp edges. Replace any hose that is damaged, weak or worn.

LUBRICATION

Air tools require lubrication throughout the life of the tool and is the owner's responsibility. Failure to lubricate the air tool properly will dramatically shorten the life of the tool and will void the warranty.

▲ CAUTION This air tool requires lubrication **BEFORE** the initial use and **BEFORE** and **AFTER** each additional use.

AUTOMATIC LUBRICATION

The recommended method for lubrication is with an air line lubricator installed as part of the air piping system. See Figure 1. Use Campbell Hausfeld air tool oil ST127001AV or equivalent ISO grade 32 oil.

MANUAL LUBRICATION

If an air line lubricator is not used, the tool must be lubricated daily.

▲ WARNING Disconnect the air tool from the air supply before lubricating.

1. Disconnect the air tool from the air supply.
2. Turn the air tool upside down.
3. While pulling the trigger, squeeze approximately a 1/4 oz. of Campbell Hausfeld airtool oil in the air inlet. Then, push the forward and reverse button in both directions.

▲ WARNING After an air tool has been

lubricated, oil will discharge through the exhaust port during the first few seconds of operation. The exhaust port must be directed away from your body before applying air pressure.

4. Connect the air tool to the air supply and cover the exhaust port with a towel (refer to replacement parts manual for tool features). Run the tool in both the forward and reverse directions for 20 to 30 seconds. Oil will discharge from the exhaust port when air pressure is applied.

Maintenance

STORAGE

The air tool must be lubricated before storing. Follow the air tool lubrication instructions with an exception to step 4. Only run the air tool for 2 to 3 seconds instead of 7 to 10 seconds because more oil needs to remain in the air tool when storing.

TECHNICAL SERVICE

For information regarding the operation or repair of this product, please call 1-855-504-5678.

REPLACEMENT PARTS INFORMATION

For information regarding where to order replacement parts, call toll free 1-855-504-5678.

Please provide the following information:

- Model number
- Stamped code
- Part number and description

Address parts correspondence to:
Campbell Hausfeld
100 Production Drive
Harrison, Ohio 45030 U.S.A.

General Troubleshooting Guide

Symptom	Possible Cause(s)	Corrective Action
Tool runs slowly or will not operate	1. Grit or gum in tool	1. Flush the tool with Campbell Hausfeld air tool oil, gum solvent, or an equal mixture of SAE 10 motor oil and kerosene. If Campbell Hausfeld oil is not used, lubricate the tool after cleaning
	2. No oil in tool	2. Lubricate the tool according to the lubrication instructions in this manual
	3. Low air pressure	3. a. Adjust the regulator on the tool to the maximum setting (If applicable) 3. b. Adjust the compressor regulator to tool maximum while the tool is running free
	4. Air hose leaks	4. Tighten and seal hose fittings if leaks are found
	5. Pressure drops	5. a. Be sure the hose is the proper size. Long hoses or tools using large volumes of air may require a hose with an I.D. of 1/2 inch or larger depending on the total length of the hose 5. b. Do not use a multiple number of hoses connected together with quick connect fittings. This causes additional pressure drops and reduces the tool power. Directly connect the hoses together
	6. Worn rotor blade in motor	6. Replace rotor blade
	7. Worn ball bearing in motor	7. Remove and inspect bearing for rust, dirt and grit or worn race. Replace or clean and regrease bearing with bearing grease
Moisture blowing out of tool	1. Water in tank	1. Drain tank. (See air compressor manual). Oil tool and run until no water is evident. Oil tool again and run 1 to 2 seconds
	2. Water in the air lines/hoses	2. a. Install a water separator/filter (PA2121 NOTE: Separators only work properly when the air passing through the separator is cool. Locate the separator/filter as far as possible from the compressor 2. b. Install an air dryer 2. c. Anytime water enters the tool, the tool should be oiled immediately
Ratchet mechanism slips or will not loosen	1. Ratchet mechanism is dirty	1. a. Clean mechanism with air tool oil 1. b. Replace worn mechanism

REGISTER YOUR PRODUCT ONLINE NOW!

<http://reg.ch-commercial.com>

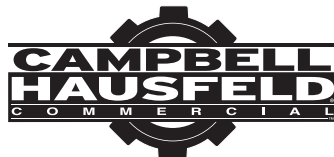
Limited Warranty

1. DURATION: From the date of purchase by the original purchaser as follows: one (1) year.
2. WHO GIVES THIS WARRANTY (WARRANTOR): Campbell Hausfeld / Scott Fetzer Company, 100 Production Drive, Harrison, Ohio, 45030, Telephone: (855) 504-5678.
3. WHO RECEIVES THIS WARRANTY (PURCHASER): The original purchaser (other than for purposes of resale) of the Campbell Hausfeld product.
4. WHAT PRODUCTS ARE COVERED BY THIS WARRANTY: This Campbell Hausfeld air ratchet.
5. WHAT IS COVERED UNDER THIS WARRANTY: Substantial defects in material and workmanship which occur within the duration of the warranty period with the exceptions below.
6. WHAT IS NOT COVERED UNDER THIS WARRANTY:
 - A. Implied warranties, including those of merchantability and FITNESS FOR A PARTICULAR PURPOSE ARE LIMITED FROM THE DATE OF ORIGINAL PURCHASE AS STATED IN THE DURATION. Some States do not allow limitation on how long an implied warranty lasts, so the above limitations may not apply to you.
 - B. ANY INCIDENTAL, INDIRECT, OR CONSEQUENTIAL LOSS, DAMAGE, OR EXPENSE THAT MAY RESULT FROM ANY DEFECT, FAILURE, OR MALFUNCTION OF THE CAMPBELL HAUSFELD PRODUCT. Some States do not allow the exclusion or limitation of incidental or consequential damages, so the above limitation or exclusion may not apply to you.
 - C. Any failure that results from an accident, purchaser's abuse, neglect or failure to operate products in accordance with instructions provided in the owner's manual(s) supplied with product. Accident, purchaser's abuse, neglect or failure to operate products in accordance with instructions shall also include the removal or alteration of any safety devices. If such safety devices are removed or altered, this warranty is void.
 - D. Normal adjustments which are explained in the owner's manual(s) provided with the product.
 - E. Items or service that are normally required to maintain the product, e.g. o-rings, springs, gaskets, packings or seals, lubricants, motor vanes, ratcheting pawl, or any other expendable part not specifically listed. These items will only be covered for ninety (90) days from date of original purchase. Underlined items are warranted for defects in material and workmanship only.
7. RESPONSIBILITIES OF WARRANTOR UNDER THIS WARRANTY: Repair or replace, at Warrantor's option, products or components which are defective, have malfunctioned and/or failed to conform within the duration of the specific warranty period.
8. RESPONSIBILITIES OF PURCHASER UNDER THIS WARRANTY:
 - A. Provide dated proof of purchase and maintenance records.
 - B. Call Campbell Hausfeld (855) 504-5678 to obtain your warranty service options. Freight costs must be borne by the purchaser.
 - C. Use reasonable care in the operation and maintenance of the products as described in the owner's manual(s).
9. WHEN WARRANTOR WILL PERFORM REPAIR OR REPLACEMENT UNDER THIS WARRANTY: Repair or replacement will be scheduled and serviced according to the normal work flow at the servicing location, and depending on the availability of replacement parts.

This Limited Warranty applies in the United States, Canada and Mexico only and gives you specific legal rights. You may also have other rights which vary from state to state or country to country.

**REMINDER: Keep your dated proof of purchase for warranty purposes!
Attach it to this manual or file it for safekeeping.**

Rochet Pneumatique



MODÈLES: CL150100 ET CL154800

Description

Les cliquets pneumatiques sont conçus pour enlever et installer des éléments de fixation filetés.

Déballage

Dès que l'appareil est déballé, l'inspecter attentivement pour tout signe de dommages en transit. S'assurer de resserrer tous les raccords, boulons, etc. avant de le mettre en service.

LIRE ET SUIVRE TOUTES LES INSTRUCTIONS.

**CONSERVER CES INSTRUCTIONS
NE LES JETEZ PAS**

Directives de Sécurité

Ce manuel contient de l'information très importante qui est fournie pour la SÉCURITÉ et pour ÉVITER LES PROBLÈMES D'ÉQUIPEMENT. Rechercher les symboles suivants pour cette information.

⚠ DANGER

Danger indique une situation hasardeuse imminente qui RÉSULTERA en perte de vie ou blessures graves.

⚠ AVERTISSEMENT

Avertissement indique une situation hasardeuse potentielle qui PEUT résulter en perte de vie ou blessures graves.

⚠ ATTENTION

Attention indique une situation hasardeuse potentielle qui PEUT résulter en blessures.

AVIS

Avis indique de l'information importante pour éviter le dommage de l'équipement.

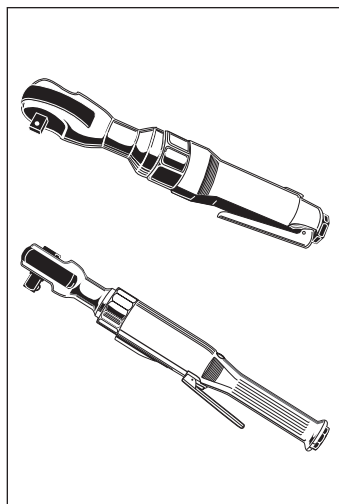
REMARQUE: L'information qui exige une attention spéciale.

Généralités sur la Sécurité

PROPOSITION 65 DE CALIFORNIE

⚠ AVERTISSEMENT

Ce produit ou son cordon peuvent contenir des produits chimiques, y compris du plomb, relevés par l'État de Californie comme cause de cancer, d'anomalies congénitales ou d'autres problèmes reproductifs. Lavez-vous les mains après la manipulation.



Veillez lire et conserver ces instructions. Lire attentivement avant de commencer à assembler, installer, faire fonctionner ou entretenir l'appareil décrit. Protégez-vous et les autres en observant toutes les informations sur la sécurité. Négliger d'appliquer ces instructions peut résulter en des blessures corporelles et/ou en des dommages matériels ! Conserver ces instructions pour références ultérieures.

Généralités sur la Sécurité (Suite)

⚠ AVERTISSEMENT

Vous pouvez créer de la poussière en coupant, ponçant, perçant ou meulant les matériaux tels que le bois, la peinture, le métal, le béton, le ciment ou autre maçonnerie. Cette poussière contient souvent des produits chimiques reconnus pour causer le cancer, les déformations congénitales ou autres problèmes de la reproduction. Porter de l'équipement de protection.



GÉNÉRALITÉS SUR LA SÉCURITÉ

Ce produit fait part d'un système haute pression et il faut respecter en tout temps les précautions de sécurité suivantes en plus de toute autre règle de sécurité actuelle.

1. Lire attentivement TOUS les manuels, y compris celui de ce produit. Bien se familiariser avec les commandes et l'utilisation correcte de l'équipement.
2. SEULES les personnes bien familiarisées avec ces règles d'utilisation en toute sécurité doivent être autorisées à se servir de l'outil pneumatique.



⚠ DANGER

NE PAS dépasser la pression maximum de fonctionnement de l'outil pneumatique (621 kPa). Cet outil pneumatique POURRAIT exploser et entraîner la mort ou des blessures graves.



3. RESPECTER la pression nominale de tous les éléments du système. La pression maximum de fonctionnement de 621 kPa est mesurée à la prise d'air de l'outil en cours de fonctionnement. Il est nécessaire de compenser au niveau du compresseur la perte de pression entre le compresseur et l'outil.

⚠ AVERTISSEMENT

Évacuer TOUTE pression du système avant d'entreprendre d'installer, de réviser, de déplacer le produit, ou de procéder à son entretien.



4. Débrancher la source d'air de l'outil pneumatique lorsqu'il ne sert pas et avant de changer des outils et accessoires ou de procéder à une opération d'entretien.

⚠ AVERTISSEMENT

Il est NÉCESSAIRE de porter des lunettes de sécurité et une protection auditive durant l'utilisation.



5. NE PAS porter de vêtements amples, de foulards, de cravates ou de bijoux durant le fonctionnement d'un quelconque outil. Les vêtements amples et les bijoux pourraient se prendre dans des pièces mobiles et entraîner de graves blessures.
6. NE PAS appuyer sur la gâchette au moment du raccordement du tuyau d'alimentation d'air à l'outil.
7. NE PAS mettre les mains près ou sous des pièces mobiles.

AVERTISSEMENT

Toute exposition excessive aux vibrations, tout travail dans des positions inconfortables et tous déplacements à répétition peuvent causer des blessures aux mains et aux bras. Cessez d'utiliser tout outil s'il y a malaise, engourdissement, fourmillement ou douleur et consultez un médecin.

8. Vérifier les tuyaux d'air à la recherche de signes de faiblesse ou d'usure avant chaque utilisation. S'assurer que TOUS les branchements soient bien serrés.
9. Protéger les canalisations d'air contre les dommages et perforations. NE PAS transporter l'outil par le tuyau d'air.
10. NE JAMAIS appuyer sur la gâchette de l'outil tant que celui-ci n'est pas en contact avec l'objet de travail. Les accessoires DOIVENT être fixés solidement. Tout accessoire desserré peut provoquer de graves blessures.
11. TOUJOURS utiliser des accessoires conçus pour les outils pneumatiques. NE PAS utiliser d'accessoires endommagés ou usés.

12. Veiller à ce que TOUS les écrous, boulons et vis soient serrés et que l'équipement soit en bon état de marche.
13. TOUJOURS immobiliser l'objet de travail avec un étau ou un serre-joint.
14. NE JAMAIS diriger un outil pneumatique vers soi-même ni vers toute autre personne. Des blessures graves POURRAIENT en résulter.

Fonctionnement

Pour enlever les écrous, tourner l'inverseur de sens de rotation vers la droite. Pour les installer, le tourner vers la gauche. Faire l'inverse si le filetage est à gauche. Ne pas trop serrer les écrous.

AVERTISSEMENT

Lors du serrage, ne pas serrer les écrous et boulons comme on le fait généralement avec une clé à main. Cela risque d'endommager l'outil en cassant les pièces du mécanisme de rochet.

AVERTISSEMENT

Ne jamais transporter un outil en le tenant par le tuyau ni tirer sur celui-ci pour déplacer l'outil ou un compresseur. Garder les tuyaux à

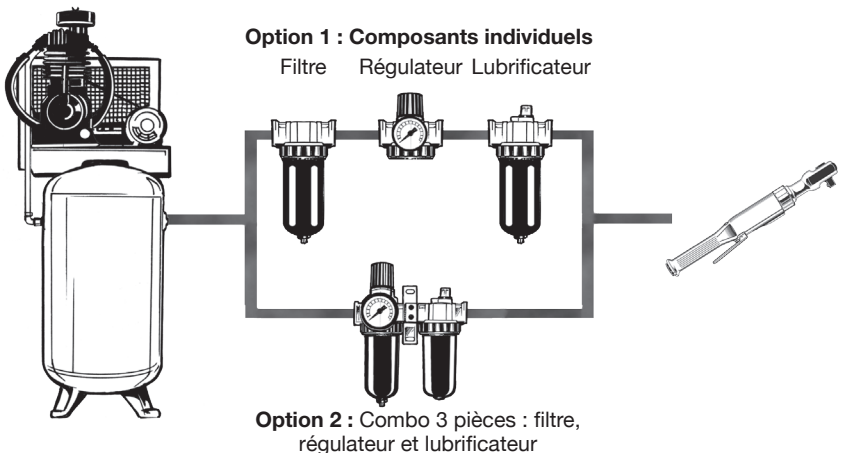


Figure 1

Fonctionnement (Suite)

l'écart de la chaleur, de l'huile et des bords tranchants. Remplacer tout tuyau endommagé, peu robuste ou usé.

INSTRUCTIONS D'INSTALLATION

Les outils pneumatiques nécessitent une alimentation en air propre et sec de 620,5 KPA (6,2 bars). Un système d'alimentation en air avec filtre, régulateur et lubrificateur (FRL), comme indiqué sur la Figure 1, doit être utilisé.

Nous recommandons le modèle FRL Campbell Hausfeld PA2104 de 9,5 mm (3/8 po) ou le PA2114 de 12,7 mm (1/2 po).

La présence d'eau dans l'alimentation en air peut endommager l'outil. Vidanger chaque jour le liquide de condensation du réservoir du compresseur et du filtre.

Tous les tuyaux et raccords doivent être de la bonne dimension et solidement fixés. Se référer au Tableau 1 pour les dimensions minimum.

Consommation d'air des outils	Diamètre intérieur du tuyau
Inférieure à 254 L/min pour une utilisation à 100 %	1/4 po
254 à 963 L/min pour une utilisation à 100 %	3/8 po
Supérieure à 963 L/min pour une utilisation à 100 %	1/2 po

Tableau 1 - Diamètre minimum suggéré du tuyau à utiliser pour une longueur de tuyau de 15,25 m et une consommation continue en air de l'outil. L'utilisation de raccords et de tuyaux plus longs peut nécessiter l'utilisation d'un tuyau de plus grand diamètre.

⚠ AVERTISSEMENT *Ne pas utiliser de tuyaux ou de raccords endommagés ou détériorés.*

⚠ AVERTISSEMENT *Ne jamais transporter un outil en le tenant par le tuyau ni tirer*

sur celui-ci afin de déplacer l'outil ou un compresseur. Ne pas approcher les tuyaux de la chaleur, de l'huile ni des bords coupants. remplacer tout tuyau endommagé, peu robuste ou usé.

GRAISSAGE

Les outils pneumatiques exigent un graissage pendant toute leur durée de vie. Il appartient au propriétaire de se plier à ces exigences. L'absence d'un graissage correct de l'outil pneumatique peut en raccourcir considérablement la durée de vie et entraîner l'annulation de la garantie.

⚠ ATTENTION *Cet outil pneumatique exige un graissage AVANT la première utilisation puis AVANT et APRÈS chaque utilisation ultérieure.*

LUBRIFICATION AUTOMATIQUE

La méthode de lubrification recommandée consiste en un lubrificateur installé sur un tuyau d'air et faisant partie intégrante du circuit de tuyauteries d'air. Voir la Figure 1. Utiliser l'huile pour outil pneumatique Campbell Hausfeld ST127000AV ou une huile ISO équivalente d'indice 32.

LUBRIFICATION MANUELLE

Si un lubrificateur n'est pas présent sur le tuyau d'air, l'outil doit être lubrifié chaque jour.

⚠ AVERTISSEMENT *Débrancher l'outil pneumatique de l'alimentation en air avant de graisser.*

1. Débrancher l'outil pneumatique de l'alimentation en air.
2. Retourner l'outil pneumatique.
3. Tout en appuyant sur la gâchette, faire sortir à peu près 7,4 mL d'huile pneumatique dans la prise d'air. Le cas échéant, basculer la soupape d'inversion dans les deux sens.

▲ AVERTISSEMENT

Une fois qu'un outil pneumatique

a été graissé, de l'huile s'écoulera de l'orifice de sortie lors des quelques premières secondes de fonctionnement. Avant d'utiliser l'air sous pression, veiller à ce que l'orifice d'échappement ne soit pas dirigé vers vous.

- Raccorder l'outil pneumatique à l'alimentation en air et recouvrir l'orifice d'échappement avec un chiffon (se référer au manuel des pièces de rechange pour les caractéristiques de l'outil). Le cas échéant, faire fonctionner l'outil en marche avant et arrière pendant 20 à 30 secondes. L'huile se met à sortir de l'orifice d'échappement d'air une fois que l'air est sous pression.

Entretien**ENTREPOSAGE**

L'outil pneumatique doit être graissé avant l'entreposage. Suivre les instructions de graissage du moteur pneumatique, à l'exception de l'étape 4. Ne faire tourner l'outil pneumatique que pendant 2 à 3 secondes, au lieu de 7 à 10 secondes parce qu'il requiert plus d'huile pour l'entreposage.

SERVICE TECHNIQUE

Pour des informations concernant le fonctionnement ou la réparation de ce produit, composer le 1-855-504-5678.

INFORMATION CONCERNANT LES PIÈCES DE RECHANGE

Pour des renseignements sur la commande de pièces de rechange, appeler sans coût le numéro 1-855-504-5678.

S'il vous plaît fournir l'information suivante:

- Numéro de Modèle
- Code estampé
- No. et Description de Pièce

Correspondance Concernant les Pièces:
Campbell Hausfeld
100 Production Drive
Harrison, Ohio 45030 U.S.A.

Guide Général De Dépannage

Symptôme	Cause(s) Possible(s)	Mesures correctives
L'outil tourne trop lentement ou ne fonctionne pas	1. Présence de grenaille ou de gomme dans l'outil	1. Rincer l'outil avec de l'huile pour outil pneumatique CampbellHausfeld, du dissolvant de gomme ou un mélange en proportions égales d'huile moteur SAE10 et de kérosène. En cas d'utilisation d'un produit autre que l'huile Campbell Hausfeld, graisser l'outil après l'avoir nettoyé
	2. Absence d'huile dans l'outil	2. Graisser l'outil conformément aux instructions de graissage données dans ce manuel
	3. Pression d'air trop basse	3. a. Régler le régulateur de l'outil à la position maximum 3. b. Régler le régulateur du compresseur à la position maximum lorsque l'outil tourne dans le vide
	4. Fuites dans le tuyau d'air	4. Serrer et assurer l'étanchéité des raccords du tuyau en cas de fuites
	5. Chute de la pression	5. a. Veiller à ce que le tuyau soit de la bonne taille. Les longs tuyaux ou les outils exigeant de grands volumes d'air peuvent nécessiter un diamètre intérieur de tuyau d'au moins 1/2 po, suivant la longueur totale du tuyau 5. b. Ne pas utiliser plusieurs tuyaux reliés ensemble au moyens de raccords rapides. Cela provoque des chutes de pression supplémentaires et réduit la puissance de l'outil. Brancher les tuyaux directement les uns aux autres
	6. Usure d'une pale de rotor du moteur	6. Remplacer la pale du rotor
	7. Usure d'un roulement dans le réservoir	7. Enlever et inspecter le roulement pour voir s'il est rouillé, sale, contient de la grenaille ou a une bague usée. Remplacer ou nettoyer et regraisser le roulement avec la graisse à roulements

Suite à la page suivante

Guide Général De Dépannage (Suite)

Symptôme	Cause(s) Possible(s)	Mesures correctives
Humidité expulsée de l'outil	<ol style="list-style-type: none"> Présence d'eau dans le réservoir Présence d'eau dans la canalisation/le tuyau d'air 	<ol style="list-style-type: none"> Purger le réservoir. (Voir le manuel du compresseur) Huiler l'outil et le faire tourner jusqu'à ce qu'il semble ne plus contenir d'eau. Huiler de nouveau l'outil et le faire tourner pendant 1-2 seconde(s) <ol style="list-style-type: none"> Monter un séparateur/filtre d'eau. REMARQUE: Les séparateurs ne fonctionnent correctement que lorsque l'air qui les traverse est frais. Positionner le séparateur/filtre aussi loin que possible du compresseur Installer un sècheur d'air Graisser l'outil immédiatement quand l'eau entre l'outil
Le mécanisme de rochet dérape ou ne desserre pas	<ol style="list-style-type: none"> Le mécanisme de rochet est sale 	<ol style="list-style-type: none"> <ol style="list-style-type: none"> Nettoyer le mécanisme avec de la graisse à outils pneumatiques Remplacer le mécanisme s'il est usé

ENREGISTREZ VOTRE PRODUIT EN LIGNE MAINTENANT !
<http://reg.ch-commercial.com>

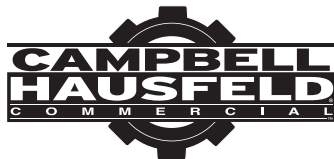
Garantie Limitée

1. DURÉE: À partir de la date d'achat par l'acheteur original comme suit - Un An.
2. GARANTIE ACCORDÉE PAR (GARANT): Campbell Hausfeld/Scott Fetzer Company, 100 Production Drive, Harrison, Ohio, 45030, Téléphone: (855) 504-5678.
3. BÉNÉFICIAIRE DE CETTE GARANTIE (ACHETEUR): L'acheteur original (sauf en cas de revente) du produit Campbell Hausfeld.
4. PRODUITS COUVERTS PAR CETTE GARANTIE: Ce cliquet pneumatique Campbell Hausfeld.
5. COUVERTURE DE LA PRÉSENTE GARANTIE: Défauts importants de matériaux et de main d'oeuvre qui se produisent durant la période de garantie à l'exception de ce qui est noté plus bas.
6. LA PRÉSENTE GARANTIE NE COUVRE PAS:
 - A. Les garanties implicites, y compris celles de commercialisabilité et D'ADAPTION À UNE FONCTION PARTICULIÈRE SONT LIMITÉES À PARTIR DE LA DATE D'ACHAT INITIALE TELLE QU'INDIQUÉE DANS LA SECTION DURÉE. Quelques Provinces (États) n'autorisent pas de limitations de durée pour les garanties implicites. Les limitations précédentes peuvent donc ne pas s'appliquer.
 - B. TOUT DOMMAGE, PERTE OU DÉPENSE FORTUIT OU INDIRECT POUVANT RÉSULTER DE TOUT DÉFAUT, PANNE OU MAUVAIS FONCTIONNEMENT DU PRODUIT CAMPBELL HAUSFELD. Quelques Provinces (États) n'autorisent pas l'exclusion ni la limitation des dommages fortuits ou indirects. La limitation ou exclusion précédente peut donc ne pas s'appliquer.
 - C. Toute panne résultant d'un accident, d'une utilisation abusive, de la négligence ou d'une utilisation ne respectant pas les instructions données dans le(s) manuel(s) accompagnant le produit. Un accident, l'utilisation abusive par l'acheteur, la négligence ou le manque de faire fonctionner les produits selon les instructions comprend aussi l'enlèvement ou la modification de n'importe quel appareil de sûreté. Si ces appareils de sûreté sont enlevés ou modifiés, la garantie sera annulée.
 - D. Réglages normaux qui sont expliqués dans le(s) manuel(s) d'utilisation accompagnant le produit.
 - E. Articles ou services qui sont exigés pour l'entretien normal du produit par ex. joints toriques, ressorts, joints d'étanchéité, garnitures ou sceaux, lubrifiants, aubes du moteur, cliquet d'arrêt, ou toute autre pièce consommable non spécifiquement indiquée. Ces articles ne seront couverts que pendant quatre-vingt-dix (90) jours de la date d'achat original. Les articles soulignés sont garantis contre les défauts de matériaux et de fabrication seulement.
7. RESPONSABILITÉS DU GARANT AUX TERMES DE CETTE GARANTIE: Réparer ou remplacer, au choix du Garant, les produits ou composants défectueux, qui ont connu une défaillance et/ou qui ne sont pas conformes pendant la durée précise de validité de la garantie.
8. RESPONSABILITÉS DE L'ACHETEUR AUX TERMES DE CETTE GARANTIE:
 - A. Fournir une preuve d'achat datée et un état d'entretien.
 - B. Appelez Campbell Hausfeld (855) 504-5678 pour obtenir vos options de service sous garantie. Les frais de transport sont la responsabilité de l'acheteur.
 - C. Utilisation et entretien du produit avec un soin raisonnable, ainsi que le décrit le(s) manuel(s) d'utilisation.
9. RÉPARATION OU REMPLACEMENT EFFECTUÉ PAR LE GARANT AUX TERMES DE LA PRÉSENTE GARANTIE: La réparation ou le remplacement sera prévu et exécuté en fonction de la charge de travail dans le centre de service et dépendra de la disponibilité des pièces de rechange.

Cette Garantie Limitée s'applique aux É.-U., au Canada et au Mexique seulement et vous donne des droits juridiques précis. L'acheteur peut également jouir d'autres droits qui varient d'une Province, d'un État ou d'un Pays à l'autre.

MÉMENTO: Gardez votre preuve datée d'achat à fin de la garantie!
Joignez-la à ce manuel ou classez-la dans un dossier pour plus de sécurité.

Catraca Pneumática



MODELOS: CL150100 e CL154800

Descrição

Catracas pneumáticas foram desenvolvidas para remover e instalar fixadores rosqueados.

Remoção da Embalagem

Al desempacar este producto, revíselo con cuidado para cerciorarse de que esté en perfecto estado. Aperte firmemente conexões, parafusos, etc., antes de colocar a unidade em operação.

LEIA E SIGA TODAS AS INSTRUÇÕES

**GUARDE ESTAS INSTRUÇÕES -
NÃO DESCARTE**

Normas de Segurança

Este manual contém informações muito importantes que devem ser conhecidas e compreendidas. Essas informações são fornecidas para SEGURANÇA e para EVITAR PROBLEMAS NO EQUIPAMENTO. Para ajudar a reconhecer essas informações, observe os seguintes símbolos.

⚠ PERIGO

Perigo indica uma situação eminentemente perigosa, que se não for evitada, causará a morte ou infortúnios gravosos.

⚠ AVISO

Aviso indica uma situação potencialmente perigosa, que se não for evitada, poderá resultar em morte ou infortúnios gravosos.

⚠ CUIDADO

Cuidado indica uma situação potencialmente perigosa, que se não for evitada poderá causar danos menos graves ou de grau moderado.

NOTA

Nota indica uma informação importante, que se não for seguida, poderá causar danos ao equipamento.

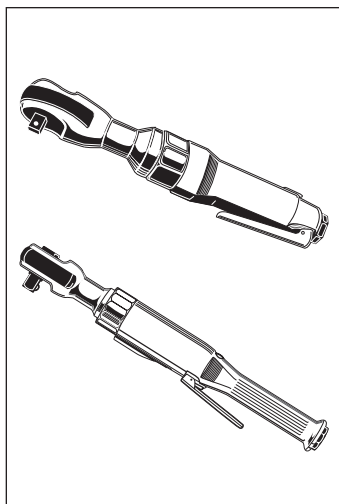
OBSERVAÇÃO: Informações que requerem atenção especial.

Informações Gerais Sobre Segurança

PROPOSIÇÃO 65 DA CALIFÓRNIA

⚠ AVISO

Este produto ou o seu cabo de força pode conter produtos químicos, incluindo o chumbo, conhecidos, no Estado da Califórnia, como causadores de câncer e defeitos congênicos ou outras lesões reprodutivas. Lave as mãos após manusear este produto.



Por favor, leia e guarde essas instruções. Leia com atenção antes de tentar montar, instalar, usar ou fazer manutenção no produto descrito. Siga todas as informações de segurança para proteger a si mesmo e a outras pessoas; caso contrário, podem ocorrer lesões pessoais e/ou danos materiais! Guarde essas instruções para futuras consultas.

Informações Gerais Sobre Segurança (Continuação)

⚠ AVISO

Você pode criar poeira ao cortar, lixar, furar ou esmerilar materiais tais como madeira, tinta, metal, concreto, cimento ou outro tipo de alvenaria. Esse pó freqüentemente contém químicos conhecidos por causar câncer, defeitos congênitos ou outros danos reprodutivos. Use equipamento de proteção.



SEGURANÇA GERAL

Este produto é parte de um sistema de alta pressão e as seguintes precauções de segurança devem ser seguidas sempre junto com todas as outras regras de segurança existentes.

1. Leia com atenção TODOS os manuais inclusos neste produto. Familiarize-se com os controles e com o uso apropriado do equipamento.
2. SOMENTE pessoas bem familiarizadas com estas normas de operação segura devem ter permissão para usar a ferramenta pneumática.



⚠ PERIGO

Não exceda a pressão de operação da ferramenta pneumática 6,2 bar. A ferramenta pneumática poderá explodir resultando em morte ou ferimentos pessoais graves.



3. NÃO exceda os limites de pressão de quaisquer componentes do

sistema. A pressão de operação máxima de 6,2 bar é medida na entrada da ferramenta enquanto ela está em funcionamento. A queda de pressão entre o compressor e a ferramenta precisa ser compensada no compressor.

⚠ AVISO

Libere TODA a pressão do sistema antes de tentar instalar, utilizar, reposicionar ou realizar qualquer manutenção.



4. Desconecte a ferramenta de ar do suprimento de ar quando não estiver em uso e antes de trocar ferramentas, uniões ou realizar alguma manutenção.

⚠ AVISO

Os óculos de segurança e protetor auditivo DEVEM ser usados durante a operação.



5. NÃO utilize roupas largas ou soltas, lenços, gravatas ou joias durante a utilização de quaisquer ferramentas. Roupas soltas ou joias podem prender nas peças em movimento resultando em ferimentos pessoais graves.
6. NÃO aperte o gatilho durante a conexão da mangueira de fornecimento de ar à ferramenta.
7. NÃO coloque as mãos próximas ou debaixo de peças móveis.

⚠ AVISO

A exposição excessiva à vibração, o trabalho em posições incômodas e os movimentos de trabalho repetitivos podem causar lesões às mãos e aos braços. Pare de

usar qualquer ferramenta se ocorrer desconforto, dormência, formigamento ou dor e consulte um médico.

8. Verifique se as mangueiras de ar estão fracas ou desgastadas antes de cada utilização. Certifique-se de que TODAS as conexões estejam firmes.
9. Proteja as linhas de ar contra danos ou furos. NÃO puxe a ferramenta pela mangueira de ar.
10. NUNCA acione a ferramenta quando não aplicada a um objeto de trabalho. As conexões DEVEM ser firmemente conectadas. Conexões frouxas podem causar dano sério.
11. SEMPRE use conexões projetadas para uso com ferramentas pneumáticas. NÃO use conexões danificadas ou gastas.
12. Mantenha apertados TODAS as porcas e parafusos e mantenha o equipamento em condições seguras de operação.
13. Fixe SEMPRE a peça de trabalho em uma morsa ou braçadeira.

14. NUNCA aponte uma ferramenta pneumática para si mesmo ou para outra pessoa. Isso PODE causar dano sério.

Operação

Para remover as porcas, gire o indicador de avançar/retroceder para a direita. Para instalar as porcas, gire o indicador de avançar/retroceder para a esquerda. Realize o procedimento em ordem inversa caso as roscas estejam orientadas para a esquerda. Não aperte as porcas excessivamente.

⚠ AVISO

Durante a fixação, não aperte as porcas ou parafusos com a catraca como normalmente seria feito com uma chave de mão. Isto pode danificar a ferramenta ao quebrar peças no mecanismo da catraca.

⚠ AVISO

Nunca transporte uma ferramenta segurando pela mangueira e nunca puxe a mangueira para movimentar a ferramenta ou um compressor. Mantenha as mangueiras afastadas de calor, óleo e bordas afiadas. Troque as mangueiras que estiverem danificadas, fracas ou desgastadas.

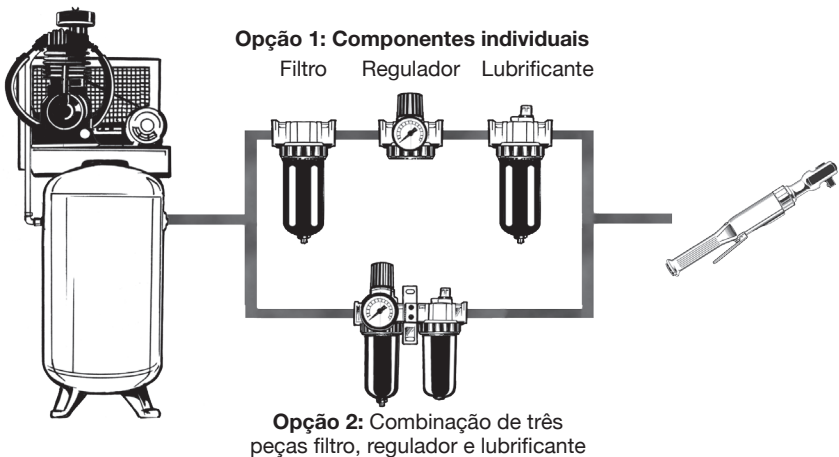


Figura 1

Operação (Continuação)

INSTRUÇÕES DE INSTALAÇÃO

As ferramentas pneumáticas necessitam de um suprimento de ar limpo, seco a 90 PSI (6,2 bar). Um sistema de suprimento de ar com filtro, regulador e lubrificante (FRL) como mostrado na figura 1 deve ser usado.

Recomenda-se o modelo Campbell Hausfeld FRL PA2104 9,5 mm (3/8 pol) ou PA 2114 12,7 mm (1/2 pol).

Água no suprimento de ar pode danificar a ferramenta. Drene diariamente o condensado do tanque compressor e do filtro.

Todas as mangueiras e conexões devem ser do tamanho correto e estar firmemente presas. Consulte a Tabela 1 para tamanhos mínimos.

Consumo da ferramenta pneumática	Diâmetro interno da mangueira
Menos de 254 L/min. a 100% de uso	6,4 mm
254 a 962 L/min. a 100% de uso	9,5 mm
Maior que 962 L/min. a 100% de uso	12,7 mm

Tabela 1 - Diâmetro mínimo da mangueira sugerido para usar com base em mangueira de comprimento de 15,25 metros e classificação L/min. contínua da ferramenta. A utilização de conexões e mangueira mais longa pode exigir o uso de uma mangueira de diâmetro maior.

⚠ AVISO

Não utilize mangueiras ou conexões que estiverem danificadas ou deterioradas.

⚠ AVISO

Nunca transporte uma ferramenta segurando pela mangueira e nunca puxe a mangueira para movimentar a ferramenta ou um compressor. Mantenha as mangueiras afastadas de calor, óleo e bordas afiadas. Troque as

mangueiras que estiverem danificadas, fracas ou desgastadas.

LUBRIFICAÇÃO

As ferramentas pneumáticas requerem lubrificação ao longo da vida e é da responsabilidade do proprietário. A falta de lubrificação adequada da ferramenta pneumática diminui enormemente a vida da ferramenta e anula a sua garantia.

⚠ CUIDADO

Esta ferramenta requer lubrificação

ANTES do uso inicial e ANTES e APÓS cada uso adicional.

LUBRIFICAÇÃO AUTOMÁTICA

O método recomendado para a lubrificação é com um lubrificante de linha de ar instalado como parte do sistema de tubos de ar. Consulte a figura 1. Uso do óleo para ferramenta pneumática Campbell Hausfeld ST127000AV ou óleo equivalente ISO grau 32.

LUBRIFICAÇÃO MANUAL

Se um lubrificante de linha de ar não é usado, a ferramenta deve ser lubrificada diariamente.

⚠ AVISO

Desconecte a ferramenta

pneumática do suprimento de ar antes de lubrificar.

1. Desconecte a ferramenta pneumática do suprimento de ar.
2. Vire a ferramenta pneumática para baixo.
3. Vire a chave de fenda para baixo. Enquanto segura o gatilho, despeje aproximadamente 7,4 mL de óleo Campbell Hausfeld na entrada de ar. Se aplicável, mude a válvula para frente e para trás em ambos os sentidos.

▲ AVISO

Após a lubrificação da ferramenta

pneumática, ocorre a saída de óleo pelo orifício de exaustão durante os primeiros segundos da operação. O orifício de exaustão deve estar direcionado para longe do seu corpo antes de aplicar pressão de ar.

4. Conecte a ferramenta pneumática à fonte de suprimento de ar e cubra o orifício de exaustão com uma toalha (consulte as características da ferramenta no manual de peças). Coloque a ferramenta em funcionamento em ambas as direções, se aplicável, durante 20 a 30 segundos. Ocorre a descarga de óleo do orifício de exaustão quando se aplica a pressão pneumática.

Manutenção**ARMAZENAMENTO**

A ferramenta de ar deve ser lubrificada antes de ser guardada. Siga as instruções de lubrificação da ferramenta pneumática com uma exceção na etapa 4. Ligue a ferramenta pneumática apenas por 2 a 3 segundos ao invés de 7 a 10 uma vez que ela precisa de mais óleo para permanecer armazenada.

ASSISTÊNCIA TÉCNICA

Para informações sobre a operação ou reparo deste produto, por favor entre em contato com o centro de assistência técnica Campbell Hausfeld mais próximo.

INFORMAÇÕES SOBRE AS PEÇAS DE REPOSIÇÃO

Para obter informações sobre onde pedir peças de reposição, ligue grátis para 1-855-504-5678.

Forneça as seguintes informações:

- Número do modelo
- Código impresso
- Número de peça e descrição

Envie a correspondência sobre as peças para:

Campbell Hausfeld
100 Production Drive
Harrison, Ohio 45030 U.S.A.

Guia geral de detecção de problemas

Sintoma	Possíveis causas	Ação a tomar
A ferramenta funciona devagar ou não funciona	1. Areia ou goma na ferramenta	1. Purgue a ferramenta com óleo para ferramentas a ar Campbell Hausfeld com solvente de goma ou com uma mistura de partes iguais de óleo de motor SAE 10 e querosene. Se não for utilizado óleo Campbell Hausfeld, lubrifique a ferramenta após a limpeza.
	2. Não há óleo na ferramenta	2. Lubrifique a ferramenta de acordo com as instruções de lubrificação neste manual.
	3. Baixa pressão de ar	3. a. Ajuste o regulador da ferramenta para a posição máxima. (se aplicável) 3. b. Ajuste o regulador do compressor para obter o máximo de pressão operacional enquanto a máquina estiver em funcionamento livre.
	4. A mangueira de ar vazava	4. Aperte e vede as conexões da mangueira em caso de vazamento.
	5. Quedas de pressão	5. a. Certifique-se do tamanho correto da mangueira. Mangueiras longas ou ferramentas .que utilizam grandes volumes de ar podem requerer uma mangueira de 1/2 pol. de diâmetro interno ou maior, dependendo da extensão total da mangueira 5. b. Não use várias mangueiras ligadas por conexões rápidas. Isso causa mais quedas de pressão e reduz a capacidade da ferramenta. Conecte as mangueiras diretamente.
	6. Lâmina do rotor desgastada no motor	6. Substitua a lâmina do rotor.
	7. Rolamento esférico desgastado no motor	7. Remova e inspecione o rolamento em busca de ferrugem, poeira, areia ou desgaste. Substitua ou limpe e torne a lubrificar o rolamento com graxa para rolamentos.
Umidade sendo soprada para fora da ferramenta	1. Água no tanque	1. Purgue o tanque (consulte o manual do compressor de ar). Aplique óleo na ferramenta e a opere até que não reste mais água evidente. Torne a lubrificar a ferramenta e ative-a por 1 ou 2 segundos.
	2. Água nos tubos/ mangueiras de ar	2. a. Instale um separador/filtro de água (PA2121). OBSERVAÇÃO: Separators only work properly when the air passing through the separator is cool. Locate the separator/filter as far as possible from the compressor 2. b. Instale um secador de ar. 2. c. Sempre que entrar água na ferramenta, ela deve ser lubrificada imediatamente.
O mecanismo da catraca desliza ou não pode ser afrouxado	1. O mecanismo de catraca está sujo	1. a. Limpe o mecanismo com óleo de ferramenta pneumática
		1. b. Substitua o mecanismo desgastado

REGISTRE SEU PRODUTO ON-LINE AGORA!
<http://reg.ch-commercial.com>

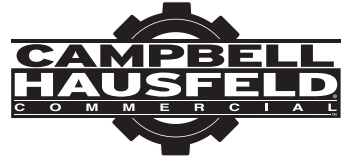
Garantia Limitada

1. **DURAÇÃO:** A partir da data de compra por parte do comprador original, da seguinte maneira: Um (1) ano.
2. **QUEM CONCEDE ESTA GARANTIA (GARANTIDOR):** Campbell Hausfeld / Scott Fetzer Company, 100 Production Drive, Harrison, Ohio, 45030, Telefone: (855) 504-5678.
3. **QUEM RECEBE ESTA GARANTIA (COMPRADOR):** O comprador original (não para objetivo de revenda) dos produtos da Campbell Hausfeld.
4. **QUAIS SÃO OS PRODUTOS COBERTOS POR ESTA GARANTIA:** Esta catraca pneumática da Campbell Hausfeld.
5. **O QUE ESTÁ COBERTO NESTA GARANTIA:** Defeitos substanciais no material e na fabricação que ocorrerem dentro da vigência do período de garantia com exceção dos casos abaixo.
6. **O QUE NÃO ESTÁ COBERTO NESTA GARANTIA:**
 - A. Garantias implícitas, incluindo as de comerciabilidade e ADEQUAÇÃO PARA UM OBJETIVO ESPECÍFICO SÃO LIMITADAS A PARTIR DA DATA DA COMPRA ORIGINAL, CONFORME ESTABELECIDO NO ITEM DURAÇÃO ACIMA. Alguns estados (nos Estados Unidos) não permitem limites referentes ao prazo de duração da garantia implícita, de forma que os limites acima podem não se aplicar ao seu caso.
 - B. QUALQUER PERDA, DANO OU DESPESA INCIDENTAIS, INDIRETOS OU RESULTANTES QUE POSSAM RESULTAR DE QUALQUER DEFEITO, FALHA OU MAU FUNCIONAMENTO DOS PRODUTOS DA CAMPBELL HAUSFELD. Alguns estados (nos Estados Unidos) não permitem a exclusão ou limite de danos incidentais ou resultantes, de forma que o limite e exclusão acima podem não se aplicar ao seu caso.
 - C. Qualquer falha resultante de acidente, abuso por parte do comprador, negligência ou da não operação do produto de acordo com as instruções no(s) manual(ais) do proprietário que acompanha(m) este produto. Acidente, abuso por parte do comprador, negligência, não operação dos produtos de acordo com as instruções incluirão também a retirada ou alteração de qualquer dispositivo de segurança. Se tais dispositivos de segurança forem retirados ou alterados, esta garantia será anulada.
 - D. A manutenção ou os ajustes normais que são explicados nos manuais do proprietário fornecidos com o produto.
 - E. Itens ou serviços que são normalmente requeridos para a manutenção do produto, por exemplo, anéis O, molas, gaxetas, juntas ou vedações, lubrificantes, palhetas do motor, linguetas de catraca ou qualquer outra peça descartável não listada especificamente acima. Estes itens estarão cobertos apenas por noventa (90) dias a partir da data da compra original. Os itens sublinhados possuem garantia apenas para defeitos de materiais e de fabricação.
7. **RESPONSABILIDADES DO GARANTIDOR DE ACORDO COM ESTA GARANTIA:** Repare ou substitua, a critério do avalista, produtos ou componentes que apresentam defeito, mau funcionamento e/ou falhas de conformidade dentro do período de garantia especificado.
8. **RESPONSABILIDADES DO COMPRADOR DE ACORDO COM ESTA GARANTIA:**
 - A. Fornecer comprovante de compra datado e registros de manutenção.
 - B. Ligue para a Campbell Hausfeld (855) 504-5678 para obter suas opções de serviço de garantia. Os custos de frete devem ser pagos pelo comprador.
 - C. Usar cuidado adequado na operação e manutenção dos produtos conforme descrito no(s) manual(ais) do proprietário.
9. **QUANDO O GARANTIDOR IRÁ CONSERTAR OU SUBSTITUIR DE ACORDO COM ESTA GARANTIA:** Consertos ou substituições serão programados e realizados de acordo com o fluxo de trabalho normal no local de conserto e dependendo da disponibilidade da peças de substituição.

Esta garantia limitada é válida somente nos E.U.A., no Canadá e no México e oferece direitos legais específicos. Você pode também ter outros direitos, que variam de um estado para outro (nos Estados Unidos), ou de um país para outro.

**LEMBRETE: Guarde sua comprovação de compra datada até o fim da garantia!
Junte-a a este manual o archive-a para mais segurança.**

Trinquete Neumático



MODELOS: CL150100 y CL154800

Descripción

Las matracas neumáticas están diseñadas para el desmontaje de sujeciones roscadas.

Desempaque

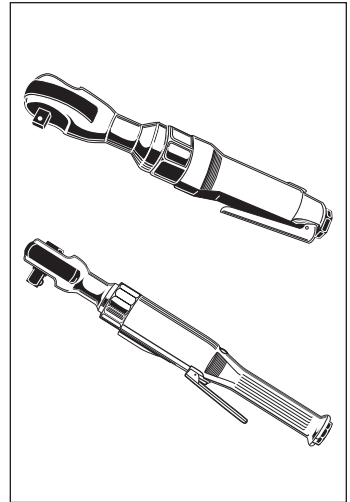
Al desempacar este producto, revíselo con cuidado para cerciorarse de que esté en perfecto estado. Cericiórese de apretar todas las conexiones, pernos, etc. antes de comenzar a utilizar la unidad.

LEA Y SIGA TODAS LAS INSTRUCCIONES

**GUARDE ESTAS INSTRUCCIONES –
NO LAS DESECHE**

Medidas de Seguridad

Este manual contiene información que es muy importante que sepa y comprenda. Esta información se la suministramos como medida de SEGURIDAD y para EVITAR PROBLEMAS CON EL EQUIPO. Debe reconocer los siguientes símbolos.



▲ PELIGRO *Ésto le indica que hay una situación inmediata que LE OCASIONARIA la muerte o heridas de gravedad.*

▲ ADVERTENCIA *Ésto le indica que hay una situación que PODRIA ocasionarle la muerte o heridas de gravedad.*

▲ PRECAUCION *Ésto le indica que hay una situación que PODRIA ocasionarle heridas no muy graves.*

AVISO *Ésto le indica una información importante, que de no seguirla, le podría ocasionar daños al equipo.*

NOTA: Información que requiere atención especial.

Informaciones Generales de Seguridad

PROPOSICIÓN 65 DE CALIFORNIA

▲ ADVERTENCIA *Este producto, o su cable de corriente pueden contener químicos, incluido plomo, que es conocido por el Estado de California como causante de cáncer y defectos de nacimiento u otros daños reproductivos. Lávese las manos después de manipularlo.*

Por favor lea y guarde estas instrucciones. Léalas cuidadosamente antes de tratar de montar, instalar, operar o dar mantenimiento al producto aquí descrito. Protéjase usted mismo y a los demás observando toda la información de seguridad. ¡El no cumplir con las instrucciones puede ocasionar daños, tanto personales como a la propiedad! Guarde estas instrucciones para referencia en el futuro.

Informaciones Generales de Seguridad (Continuación)

⚠ ADVERTENCIA

Cuando corta lija, taladra o pule materiales como por ejemplo madera, pintura, metal, hormigón, cemento, u otro tipo de mampostería se puede producir polvo. Con frecuencia este polvo contiene productos químicos que se conocen como causantes de cáncer, defectos congénitos u otros daños reproductivos. Use equipo de protección.



INFORMACIONES GENERALES DE SEGURIDAD

Este producto es parte de un sistema de alta presión y siempre debe seguir las siguientes medidas de seguridad al igual que otras medidas de seguridad establecidas.

1. Lea atentamente TODOS los manuales incluidos con este producto. Familiarícese bien con los controles y el uso adecuado del equipo.
2. Esta herramienta neumática SÓLO debe ser usada por personas que estén bien familiarizadas con las reglas de seguridad de manejo.



⚠ PELIGRO

NO exceda la presión máxima de funcionamiento de la herramienta neumática (6,21 bar), la cual PODRÍA explotar y ocasionar la muerte o lesiones graves.



3. NO exceda ninguna capacidad máxima de presión de ningún componente del sistema. La presión máxima de trabajo de 6,21 bar se mide en la entrada de aire de la herramienta con la herramienta encendida. El compresor de aire debe compensar la baja de presión entre éste y la herramienta.

⚠ ADVERTENCIA

Descargue TODA la presión del sistema antes de intentar instalar, dar servicio, reubicar o efectuar cualquier mantenimiento.



4. Desconecte el suministro de aire a la herramienta cuando no esté en uso y antes de cambiar herramientas, accesorios o efectuar mantenimiento.

⚠ ADVERTENCIA

Use SIEMPRE protección para los oídos y gafas de seguridad durante el funcionamiento.



5. NO use ropa suelta, bufandas, corbatas o joyas cuando opere cualquier herramienta. La ropa o joyas sueltas pueden quedar atrapadas en las partes móviles y ocasionar lesiones graves.
6. NO presione el gatillo cuando conecte la manguera de suministro de aire a la herramienta.
7. NO ponga las manos cerca o debajo de piezas en movimiento.

⚠ ADVERTENCIA

La exposición excesiva a la vibración, trabajar en posiciones incómodas y los movimientos de trabajo repetitivos pueden causar lesiones a las manos y brazos. Deje de usar cualquier herramienta si aparece incomodidad,

cosquilleo o dolor y consulte a un médico.

8. Antes de cada uso compruebe que las mangueras de aire no estén debilitadas o desgastadas. Asegúrese de que TODAS las conexiones estén seguras.
9. Proteja las líneas de aire de daños o perforaciones. NO lleve la herramienta por la manguera de aire.
10. NUNCA oprima el gatillo a menos que la herramienta esté en la pieza de trabajo. Los accesorios DEBEN estar bien conectados. Si los accesorios están flojos le podrían ocasionar heridas graves.
11. SIEMPRE use accesorios que estén diseñados para usarse con herramientas neumáticas. NO use accesorios que estén dañados o desgastados.
12. Mantenga ajustadas TODAS las tuercas, pernos y tornillos, y compruebe que el equipo se encuentre en estado de funcionamiento seguro.

13. SIEMPRE coloque la pieza en una prensa de tornillos o abrazadera.
14. NUNCA apunte la herramienta neumática hacia usted ni hacia otras personas. Esto PODRÍA ocasionar heridas de gravedad.

Funcionamiento

Para sacar tuercas, gire hacia la derecha la perilla para cambiar de sentido. Para atornillar una tuerca, colóquela hacia la izquierda. Haga lo contrario si las roscas son a la izquierda. No apriete las tuercas demasiado.

⚠ ADVERTENCIA *Cuando esté apretando tuercas o pernos, no los apriete como si estuviese usando una llave de mano. Ésto podría romper el mecanismo del trinquete y dañar la herramienta.*

⚠ ADVERTENCIA *Nunca cargue la herramienta ni hale la manguera para mover la herramienta ni el compresor. Mantenga las mangueras alejadas del calor, aceite u objetos puntiagudos. Reemplace cualquier manguera que esté dañada, debilitada o desgastada.*

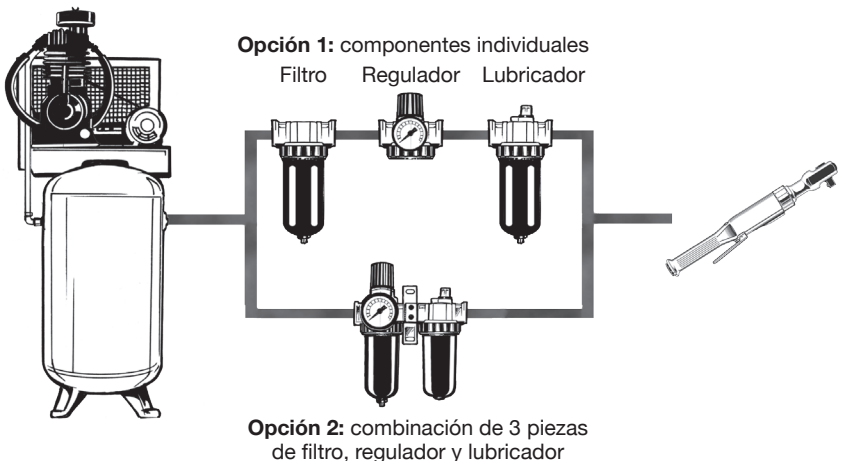


Figura 1

Funcionamiento

INSTRUCCIONES DE MONTAJE

Las herramientas neumáticas requieren un suministro de aire limpio y seco a 90 PSI (6,2 bar). Se debe usar un sistema de suministro de aire con filtro, regulador y lubricador (FRL) como se muestra en la Figura 1.

Se recomienda FRL modelo PA2104 (9,5 mm [3/8 pulg.]) o PA2114 (12,7 mm [1/2 pulg.]) de Campbell Hausfeld.

El agua en el suministro de aire puede dañar la herramienta. Drene la condensación del tanque compresor y filtre diariamente.

Todas las mangueras y conexiones deben ser del tamaño correcto y estar bien ajustadas. Consulte la Tabla 1 para conocer los tamaños mínimos.

Consumo de aire de la herramienta	DI de la manguera
Menos de 254 L/min. al 100% del uso	6,4 mm
254 a 962 L/min. al 100% del uso	9,5 mm
Más de 962 L/min. al 100% del uso	12,7 mm

Tabla 1 - El diámetro mínimo sugerido de la manguera para usar basado en una manguera de 15,25 m de largo y calificación continua L/min. de la herramienta. El uso de conexiones y una manguera más larga podría requerir el uso de una manguera de mayor diámetro.

⚠ ADVERTENCIA *No use mangueras ni conexiones que estén dañadas o deterioradas.*

⚠ ADVERTENCIA *Nunca cargue una herramienta por la manguera o hale la manguera para mover la herramienta o un compresor. Mantenga las mangueras alejadas del calor, aceite o puntas afiladas, reemplace cualquier manguera que esté dañada, deteriorada o desgastada.*

LUBRICACIÓN

Las herramientas neumáticas requieren lubricación a lo largo de la vida útil de la herramienta y esto es responsabilidad del propietario. Si no lubrica en forma adecuada la herramienta de aire, acortará dramáticamente la vida útil de la misma y anulará la garantía.

⚠ PRECAUCION *Esta herramienta neumática requiere lubricación ANTES del uso inicial y ANTES y DESPUÉS de cada uso adicional.*

LUBRICACIÓN AUTOMÁTICA

El método recomendado para la lubricación es con un lubricador de línea de aire instalado como parte del sistema de tuberías de aire. Vea la Figura 1. Use el aceite ST127000AV para herramientas neumáticas de Campbell Hausfeld o un aceite equivalente a ISO 32.

LUBRICACIÓN MANUAL

Si no se usa un lubricador de línea de aire, la herramienta debe lubricarse diariamente.

⚠ ADVERTENCIA *Desconecte la herramienta neumática del suministro de aire antes de lubricar.*

1. Desconecte la herramienta neumática del suministro de aire.
2. Dé vuelta la herramienta neumática.
3. Mientras tira del gatillo, introduzca aproximadamente 7,4 ml (1/4 onza) de aceite para herramientas neumáticas Campbell Hausfeld en la entrada de aire. Si correspondiera, coloque la válvula de avance y retroceso en ambas direcciones.

▲ ADVERTENCIA

*Luego de haber
lubricado una*

herramienta neumática, saldrá aceite a través del puerto de escape durante los primeros segundos de funcionamiento. El puerto de escape debe dirigirse en sentido opuesto a su cuerpo antes de aplicar la presión de aire.

4. Conecte la herramienta neumática al suministro de aire y cubra el puerto de escape con una toalla (consulte el manual de piezas de repuesto para conocer las funciones de la herramienta). Haga funcionar la herramienta en las direcciones de avance y retroceso, si correspondiera, durante 20 a 30 segundos. Cuando se aplica la presión de aire, el aceite sale del puerto de escape.

Mantenimiento**ALMACENAMIENTO**

Debe lubricar la herramienta neumática antes de almacenarla. Siga las instrucciones para lubricar el herramienta neumática excepto el paso 4. Déjela funcionar de 2s a 3s solamente en vez de 7s a 10s ya que la herramienta necesita más aceite para almacenarla.

ASISTENCIA TÉCNICA

Para mayor información en relación al funcionamiento o reparación de este producto, comuníquese con el concesionario de Campbell Hausfeld más cercano a su domicilio.

INFORMACIÓN SOBRE REPUESTOS

Para obtener información con respecto a piezas de repuesto pedidas, llame sin costo al 1-855-504-5678.

Sírvase suministrarnos la siguiente información:

- Número del Modelo
- Código estampado
- Número y descripción del repuesto.

Puede escribirnos a:
Campbell Hausfeld
100 Production Drive
Harrison, Ohio 45030 U.S.A.

Guía General de Diagnóstico de Averías

Problema	Causa(s) Posible(s)	Acción a tomar
La herramienta funciona lentamente o no funciona	1. Acumulación de arenillas o goma	1. Purgue la herramienta con aceite para herramientas neumáticas Campbell Hausfeld, solvente de goma, o una mezcla cantidades iguales de aceite SAE 10 para motores y kerosene. Si no usa el aceite Campbell Hausfeld, lubrique la herramienta después de limpiarla
	2. La herramienta no está lubricada	2. Lubrique la herramienta según las instrucciones de lubricación en este manual
	3. La presión del aire es baja	3. a. Ajuste el regulador de la herramienta al máximo (if applicable) 3. b. Ajuste el regulador del compresor al máximo de la herramienta con la herramienta funcionando libremente
	4. Fuga en la manguera de aire	4. Apriete y selle las conexiones de la manguera si encuentra alguna fuga
	5. Pérdida de presión	5. a. Cerciórese de que la manguera sea del tamaño adecuado. Las mangueras largas o las herramientas que consuman mucho aire podrían requerir una manguera con D.I. de 12,7 mm (1/2") o más según sea la longitud total de la manguera 5. b. No use varias mangueras conectadas con conectores rápidos. Ésto ocasionar pérdidas adicionales de presión y reduce la potencia de la herramienta. Conecte las mangueras directamente.
	6. Las aletas del rotor del motor están desgastadas	6. Reemplace las aletas del rotor
	7. Los baleros del motor están desgastados	7. Saque e inspeccione los baleros a ver si están oxidados, sucios o desgastados. Reemplácelos o límpielos y lubrique los baleros con lubricante para baleros

Continúa en la página siguiente

Guía General de Diagnóstico de Averías (Continuación)

Problema	Causa(s) Posible(s)	Acción a tomar
La herramienta expulsa humedad	<ol style="list-style-type: none"> Hay agua en el tanque Hay agua en las líneas mangueras de aire 	<ol style="list-style-type: none"> Drene el tanque. (Vea las instrucciones en el manual del compresor de aire). Lubrique la herramienta y déjela funcionar hasta que no haya residuos de agua. Lubrique la herramienta una vez más y déjela funcionar por 1-2 segundos <ol style="list-style-type: none"> Instale un separador filtro de agua (PA2121). NOTA: Los separadores sólo funcionan adecuadamente cuando el aire está frío. Ubique el separador/filtro lo más lejos posible del compresor Instale un secador de aire Cada vez que le entre agua a la herramienta, deberá lubricarla inmediatamente
El mecanismo del trinquete falla o no afloja las tuercas	<ol style="list-style-type: none"> El mecanismo del trinquete está sucio 	<ol style="list-style-type: none"> <ol style="list-style-type: none"> Limpie el mecanismo con aceite para herramientas neumáticas Reemplace el mecanismo desgastado

¡REGISTRE SU PRODUCTO EN LÍNEA AHORA MISMO!
<http://reg.ch-commercial.com>

Garantía Limitada

- 1 DURACION: A partir de la fecha de compra por el comprador original tal como se especifica a continuación: un (1) año.
2. QUIEN OTORGA ESTA GARANTIA (EL GARANTE: Campbell Hausfeld / The Scott Fetzer Company 100 Production Drive, Harrison, Ohio 45030 Teléfono: (855) 504-5678.
3. QUIEN RECIBE ESTA GARANTIA (EL COMPRADOR): El comprador original (que no sea un revendedor) del producto Campbell Hausfeld.
4. PRODUCTOS CUBIERTOS POR ESTA GARANTIA: Esta matraca neumática Campbell Hausfeld.
5. COBERTURA DE LA GARANTIA: Defectos importantes en el material y la mano de obra que ocurran durante la duración del periodo de garantía con las excepciones que se mencionan a continuación.
6. LO QUE NO ESTA CUBIERTO POR ESTA GARANTIA:
 - A. Las garantías implícitas, incluyendo aquellas de comercialidad E IDONEIDAD PARA FINES PARTICULARES, ESTAN LIMITADOS A LO ESPECIFICADO EN EL PARRAFO DE DURACION. En algunos estados no se permiten limitaciones a la duración de las garantías implícitas, por lo tanto, en tales casos esta limitación no es aplicable.
 - B. CUALQUIER PERDIDA DAÑO INCIDENTAL, INDIRECTO O CONSECUENTE QUE PUEDA RESULTAR DE UN DEFECTO, FALLA O MALFUNCIONAMIENTO DEL PRODUCTO CAMPBELL HAUSFELD. En algunos estados no se permite la exclusión o limitación de daños incidentales o consecuentes, por lo tanto, en tales casos esta limitación o exclusión no es aplicable
 - C. Cualquier falla que resulte de un accidente, abuso, negligencia o incumplimiento de las instrucciones de funcionamiento y uso indicadas en el (los) manual(es) que se adjunta(n) al producto. Dichos accidentes, abusos por parte del comprador, o falta de operar el producto siguiendo las instrucciones del manual de instrucciones suministrado también debe incluir la desconexión o modificación de los instrumentos de seguridad. Si dichos instrumentos de seguridad son desconectados, la garantía quedaría cancelada.
 - D. Los ajustes normales explicados en el(los) manual(es) suministrado(s) con el producto.
 - E. Los artículos o servicios que son necesarios normalmente para mantener el producto, p. ej. anillos en O, resortes, juntas, empaquetaduras o sellos, lubricantes, paletas del motor, trinquetes de matraqueo, o cualquier otra pieza fungible no mencionada específicamente. Estos artículos solamente estarán cubiertos durante noventa (90) días a partir de la fecha de compra original. Los artículos subrayados están garantizados únicamente por defectos en el material y la mano de obra.
7. RESPONSABILIDADES DEL GARANTE BAJO ESTA GARANTIA: Según elija el Garante, la reparación o el reemplazo del producto o los componentes que estén defectuosos, que hayan funcionado en forma inadecuada y/o que no hayan cumplido con su función dentro de la duración del periodo específico de la garantía.
8. RESPONSABILIDADES DEL COMPRADOR BAJO ESTA GARANTIA:
 - A. Suministrar prueba fechada de compra y la historia de mantenimiento del producto.
 - B. Llame a Campbell Hausfeld (855) 504-5678 por sus opciones de servicio incluidas en la garantía. Los costos de flete correrán por cuenta del comprador.
 - C. Seguir las instrucciones sobre operación y mantenimiento del producto, tal como se indica(n) en el (los) manual(es) del propietario
9. CUANDO EFECTUARA EL GARANTE LA REPARACION O REEMPLAZO CUBIERTO BAJO ESTA GARANTIA: La reparación o reemplazo dependerá del flujo normal de trabajo del centro de servicio y de la disponibilidad de repuestos.

Esta garantía limitada es válida sólo en los EE.UU., Canadá y México y otorga derechos legales específicos. Usted también puede tener otros derechos que varían de un Estado a otro, o de un país a otro.

RECORDATORIO: ¡Guarde su comprobante de compra con fecha para fines de la garantía! Adjúntela a este manual o archívela en lugar seguro.
