



P.O. BOX 815 DOWAGIAC, MI 49047

PHONE: (269)782-9670 FAX: (269)782-9623

Operation Manual & Parts List For The PBH1000 Blaster

Please Read Instructions Before Operating This Blasting System

WARNING: Any blast cabinet will produce a powerful flow of abrasive particles. To avoid personal injury and property damage, read manual thoroughly before operating or servicing this blast cabinet.

Your PBH1000 blast cabinet was designed for cleaning, polishing, and finishing with dry abrasives. Never use or mix fluids of any kind with media in this blaster.

Be careful to avoid electrical shock and damage to the lamp when installing or replacing the bulb by having the blasting system unplugged.

Failure to follow these instructions could result in operator injury as well as void the warranty on the blasting system.

WARNINGS

1. Do not exceed 25 Watt **TUBE TYPE** bulb. Exceeding 25 Watts could damage the plastic cabinet.
2. 50 micron (240 grit) or finer, (i.e. White Aluminum Oxide or Glass Beads), materials are recommended. Do not exceed particle size.

SUGGESTIONS

1. Fill hollow legs with newspaper or styrofoam to prevent them from filling with excessive media.
2. A dust collector is not provided. An opening is provided on the right hand side of the cabinet with a pre-filter already attached.

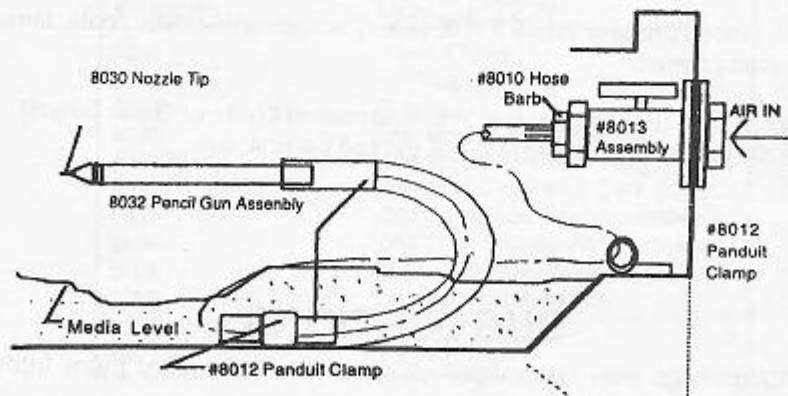
SETTING UP YOUR PBH1000 BLASTING SYSTEM

- 1 Attach the air supply line from a compressor capable of maintaining $1\frac{1}{2}$ C. F. M. @ 80-90 P. S. I to the inlet connection found on the right side of the cabinet. Because of the variation in air supply systems, the air inlet coupling is not provided. A regulator can and should be used to prevent excessive pressure.
- 2 Empty blasting media into center of cabinet. Five pounds is enough for efficient blasting. Be sure the end of the pick up tube is covered in the bottom of the cabinet.

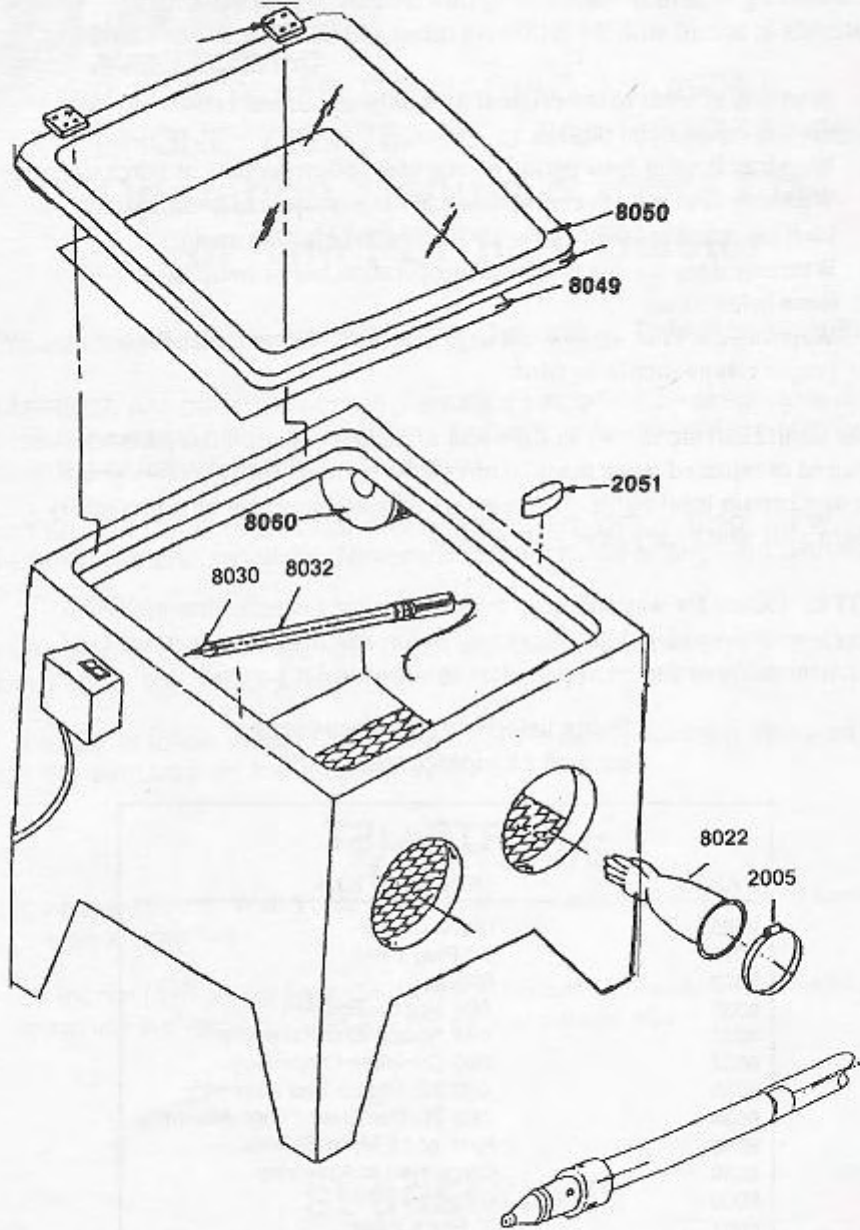
MAINTENANCE

PLUGGED CONDITIONS

- The pencil gun may become plugged from moist media. Try to dislodge the media with a drill bit or pin.
- If the pickup tube is plugged, cover the end of the gun and force the air backward through the gun. **WARNING: When following this procedure, keep the lid closed.**



PBH 1000



If media is slow to draw up the tube - begin covering the hole with the sleeve.
If the media is clumping and the spray is surging - uncover the hole a bit.

WARRANTY

This blasting system is warranted against defects in workmanship of materials in accord with the following terms and conditions:

- 1 Warranty extends to the original user only and doesn't cover cabinets used in commercial rentals.
- 2 Warranty is valid for a period of one year following date of purchase.
- 3 Warranty does not cover maintenance items subject to normal wear, such as: nozzle assembly, mylar sheets, and blasting media.
- 4 Warranty does not cover misuse or operation not in compliance with these instructions.
- 5 Warranty does not apply to damage in transit. In case of such damage, proper claims should be filed.

User should call the factory in the event of defective parts. The parts will be repaired or replaced at the manufacturer's discretion. This warranty grants the user certain legal rights. Users and purchasers may also be protected by other rights which vary from state to state.

NOTE: Except for warranties set forth above, the manufacturer makes no other warranties of any kind, expressed or implied, including warranties of merchantability or fitness of a product for a particular purpose.

Items listed may be accessories
as well as replacement parts.

PARTS LIST	
PART#	DESCRIPTION
2005	Glove Clamp
8013	1/4" Plug Valve
8022	Gloves
8030	.060 Nozzle End Assembly
8031	.048 Nozzle End Assembly
8032	.060 Complete Pencil Gun
8033	.060 TC Nozzle End Assembly
8034	.060 TC Complete Pencil Assembly
8049	Pack of 12 Mylar Shields
8050	Complete Lid Assembly
8060	Cartridge Filter
8061	3" Foam Filter