



P.O. BOX 815, DOWAGIAC, MICHIGAN 49047
PHONE (269) 782-9670 • FAX (269) 782-9623

OPERATION MANUAL & PARTS LIST FOR THE PBH2000 BLASTER

Please Read Instructions Before Operating This Blasting System

WARNING: Any blast cabinet will produce a powerful flow of abrasive particles. To avoid personal injury and property damage, read manual thoroughly before operating or servicing this blast cabinet.

Your PBH2000 blast cabinet was designed for cleaning, polishing, and finishing with dry abrasives. Never use or mix fluids of any kind with media in this blaster.

Be careful to avoid electrical shock and damage to the lamp when installing or replacing the bulb by having the blasting system unplugged.

Failure to follow these instructions could result in operator injury as well as void the warranty on the blasting system.

WARNINGS

1. Do not exceed 25 Watt **TUBE TYPE** bulb. Exceeding 25 Watts could damage the plastic cabinet.
2. 50 micron (240 grit) or finer, (i.e. White Aluminum Oxide or Glass Beads), materials are recommended. Do not exceed particle size.

SUGGESTIONS

1. Fill hollow legs with newspaper or styrofoam to prevent them from filling with excessive media.
2. A dust collector is not provided. **IT IS STRONGLY SUGGESTED YOU OPERATE THIS BLASTER WITH SOME SORT OF DUST COLLECTION SYSTEM.** An opening is provided on the right hand side of the cabinet with a pre-filter already attached.

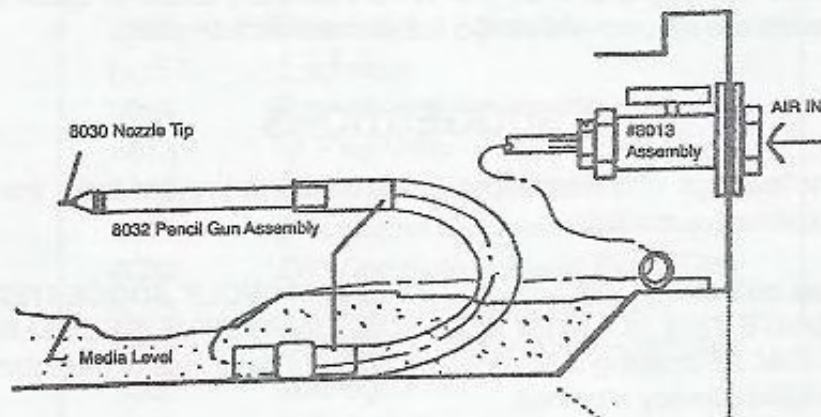
SETTING UP YOUR PBH2000 BLASTING SYSTEM

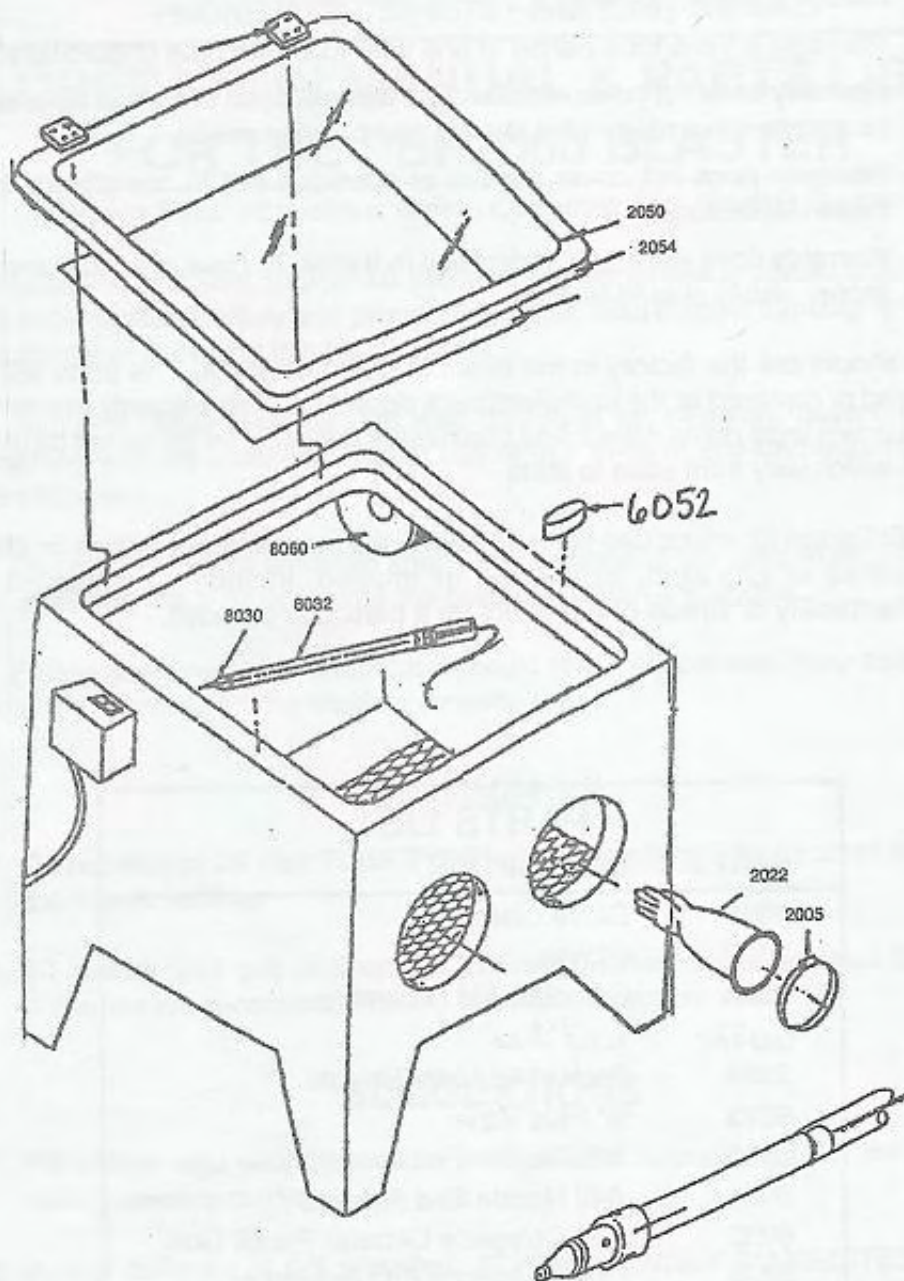
1. Attach the air supply line from a compressor capable of maintaining $1\frac{1}{2}$ C.F.M. @ 80-90 P.S.I. to the inlet connection found on the right side of the cabinet. Because of the variation in air supply systems, the air inlet coupling is not provided. A regulator can and should be used to prevent excessive pressure.
2. Empty blasting media into center of cabinet. Five pounds is enough for efficient blasting. Be sure the end of the pick up tube is covered in the bottom of the cabinet.

MAINTENANCE

PLUGGED CONDITIONS

- The pencil gun may become plugged from moist media. Try to dislodge the media with a drill bit or pin.
- If the pickup tube is plugged, cover the end of the gun and force the air backward through the gun. **WARNING: When following this procedure, keep the lid closed.**





If media is slow to draw up the tube - begin covering the hole with the sleeve.
If the media is clumping and the spray is surging - uncover the hole a bit.