

*If you have questions or comments, contact us.
Pour toute question ou tout commentaire, nous contacter.
Si tiene dudas o comentarios, contáctenos.*

1-888-895-4549 • www.DEWALT.com

**INSTRUCTION MANUAL
GUIDE D'UTILISATION
MANUAL DE INSTRUCCIONES**

**READ THIS INSTRUCTION MANUAL AND SAFETY RULES
BEFORE OPERATING THE UNIT.
LISEZ CE GUIDE D'UTILISATION ET LES CONSIGNES DE
SÉCURITÉ AVANT D'UTILISER L'APPAREIL.
LEE ESTE MANUAL DE INSTRUCCIONES Y NORMAS DE
SEGURIDAD ANTES DE OPERAR LA UNIDAD.**

DEWALT®

DXCM805

Single Stage, Belt Drive, Electric Air Compressor

Compresseur d'air électrique à un étage à entraînement par courroie

Compresor eléctrico de aire, de una sola etapa y accionamiento por correa

Definitions: Safety Guidelines

The definitions below describe the level of severity for each signal word. Please read the manual and pay attention to these symbols.

⚠ DANGER: Indicates an imminently hazardous situation which, if not avoided, will result in death or serious injury.

⚠ WARNING: Indicates a potentially hazardous situation which, if not avoided, could result in death or serious injury.

⚠ CAUTION: Indicates a potentially hazardous situation which, if not avoided, may result in minor or moderate injury.

NOTICE: Indicates a practice not related to personal injury which, if not avoided, may result in property damage.

IF YOU HAVE ANY QUESTIONS OR COMMENTS ABOUT THIS OR ANY DEWALT TOOL, CALL US TOLL FREE AT: 1-888-895-4549

Important Safety Instructions

⚠ WARNING: Do not operate this unit until you read this instruction manual for safety, operation and maintenance instructions.

WARNING: CONTAINS LEAD. May be harmful if eaten or chewed. May generate dust containing lead. Wash hands after use. Keep out of reach children.

⚠ WARNING: This product can expose you to chemicals including lead, which is known to the State of California to cause cancer and birth defects or other reproductive harm. For more information go to www.P65Warnings.ca.gov.



⚠ DANGER: Risk of explosion or fire.

WHAT CAN HAPPEN	HOW TO PREVENT IT
<ul style="list-style-type: none"> It is normal for electrical contacts within the motor and pressure switch to spark. 	<ul style="list-style-type: none"> Always operate the air compressor in a well ventilated area free of combustible materials, gasoline, or solvent vapors.
<ul style="list-style-type: none"> If electrical sparks from air compressor come into contact with flammable vapors, they may ignite, causing fire or explosion. 	<ul style="list-style-type: none"> If spraying flammable materials, locate air compressor at least 20' (6.1 m) away from spray area. Longer air hose may be required. Store flammable materials in a secure location away from air compressor.
<ul style="list-style-type: none"> Restricting any of the air compressor ventilation openings will cause serious overheating and could cause fire. 	<ul style="list-style-type: none"> Never place objects against or on top of air compressor. Operate air compressor in an open area at least 12" (30.5 cm) away from any wall or obstruction that would restrict the flow of fresh air to the ventilation openings. Operate unit in a clean, dry, well ventilated area. Do not operate unit in any confined area. Store indoors.



⚠ DANGER: Risk of explosion or fire.

WHAT CAN HAPPEN	HOW TO PREVENT IT
<ul style="list-style-type: none"> Unattended operation of this product could result in personal injury or property damage. To reduce the risk of fire, do not allow the air compressor to operate unattended. 	<ul style="list-style-type: none"> Always remain in attendance with the product when it is operating. Always turn off and unplug unit when not in use.



⚠ DANGER: Risk to breathing (asphyxiation).

WHAT CAN HAPPEN	HOW TO PREVENT IT
<ul style="list-style-type: none"> Compressed air from your air compressor is not safe for breathing. The air stream may contain carbon monoxide, toxic vapors, or solid particles from the tank. Breathing these contaminants can cause serious injury or death. 	<ul style="list-style-type: none"> Never use air obtained directly from the air compressor to supply air for human consumption. The air compressor is not equipped with suitable filters and in-line safety equipment for human consumption.

WHAT CAN HAPPEN	HOW TO PREVENT IT
<ul style="list-style-type: none"> Exposure to chemicals in dust created by power sanding, sawing, grinding and other construction activities may be harmful. Sprayed materials such as paint, paint solvents, paint remover, insecticides, weed killers, may contain harmful vapors and poisons. 	<ul style="list-style-type: none"> Work in an area with good cross ventilation. Read and follow the safety instructions provided on the label or safety data sheets for the materials you are spraying. Always use certified safety equipment: NIOSH/OSHA respiratory protection or properly fitting face mask designed for use with your specific application.



⚠ DANGER: Risk of Bursting.

Tank: On February 26, 2002, the U.S. Consumer Product Safety Commission published Release # 02-108 concerning air compressor tank safety: Air compressor receiver tanks do not have an infinite life. Tank life is dependent upon several factors, some of which include operating conditions, ambient conditions, proper installations, field modifications, and the level of maintenance. The effect of these factors on the tank life is unpredictable. If proper maintenance procedures are not followed, internal corrosion to the inner wall of the tank can cause the tank to unexpectedly rupture allowing pressurized air to suddenly and forcefully escape, posing risk of injury to consumers. Your air compressor's tank must be removed from service by the end of the year shown on the tank warning label.

The following conditions could lead to a weakening of the tank, and result in a violent tank explosion:



⚠ DANGER: Risk of Bursting.

WHAT CAN HAPPEN	HOW TO PREVENT IT
<ul style="list-style-type: none"> Failure to properly drain condensed water from tank causes rust and thinning of the steel tank. 	<ul style="list-style-type: none"> Drain tank daily or after each use. If tank develops a leak, replace it immediately with a new tank or replace the entire air compressor.
<ul style="list-style-type: none"> Modifications or attempted repairs to the tank. 	<ul style="list-style-type: none"> Never drill into, weld or make any modifications to the tank or its attachments. Never attempt to repair a damaged or leaking tank. Replace with a new tank.
<ul style="list-style-type: none"> Unauthorized modifications to the safety valve, or any other components which control tank pressure. 	<ul style="list-style-type: none"> The tank is designed to withstand specific operating pressures. Never make adjustments or part substitutions to alter the factory set operating pressures.

Attachments & Accessories:	
WHAT CAN HAPPEN	HOW TO PREVENT IT
<ul style="list-style-type: none"> Exceeding the pressure rating of air tools, spray guns, air operated accessories, tires and other inflatables can cause them to explode or fly apart, and could result in serious injury. 	<ul style="list-style-type: none"> Follow the equipment manufacturer's recommendation and never exceed the maximum allowable pressure rating of attachments. Never use air compressor to inflate small low pressure objects such as children's toys, footballs, basketballs, etc.
Tires:	
WHAT CAN HAPPEN	HOW TO PREVENT IT
<ul style="list-style-type: none"> Over inflation of tires could result in serious injury and property damage. 	<ul style="list-style-type: none"> Use a tire pressure gauge to check the tires pressure before each use and while inflating tires; see the tire sidewall for the correct tire pressure.

NOTICE: Tanks, air compressors and similar equipment can inflate small tires rapidly. Adjust pressure regulator on air supply to no more than the rating of the tire pressure. Add air in small increments and frequently use the tire gauge to prevent over inflation.



⚠ WARNING Risk of injury or property damage when moving or storing.

WHAT CAN HAPPEN	HOW TO PREVENT IT
<ul style="list-style-type: none"> Oil can leak or spill and could result in fire or breathing hazard; serious injury or death can result. Oil leaks will damage carpet, paint or other surfaces in vehicles or trailers. 	<ul style="list-style-type: none"> Always place air compressor on a protective mat when transporting to protect against vehicle damage from leaks. Remove air compressor from vehicle immediately upon arrival at your destination. Always keep air compressor level and never lie on its side.



⚠ WARNING: Risk of hot surfaces.

WHAT CAN HAPPEN	HOW TO PREVENT IT
<ul style="list-style-type: none"> Touching exposed metal such as the air compressor head or outlet tubes, can result in serious burns. 	<ul style="list-style-type: none"> Never touch any exposed metal parts on air compressor during or immediately after operation. Air compressor will remain hot for several minutes after operation. Do not reach around protective shrouds or attempt maintenance until unit has been allowed to cool.



⚠ WARNING: Risk from flying objects.

WHAT CAN HAPPEN	HOW TO PREVENT IT
<ul style="list-style-type: none"> The compressed air stream can cause soft tissue damage to exposed skin and can propel dirt, chips, loose particles and small objects at high speed, resulting in personal injury or property damage. 	<ul style="list-style-type: none"> Always wear certified safety equipment: ANSI Z87.1 eye protection (CAN/CSA Z94.3) with side shields when using the air compressor. Never point nozzle or sprayer toward any part of the body, other people or animals. Always turn air compressor off and bleed pressure from the air hose and tank before attempting maintenance, attaching tools or accessories.



⚠ DANGER: Risk of electrical shock.

WHAT CAN HAPPEN	HOW TO PREVENT IT
<ul style="list-style-type: none"> Your air compressor is powered by electricity. Like any other electrically powered device, if it is not used properly it may cause electric shock. 	<ul style="list-style-type: none"> Never operate the air compressor outdoors when it is raining or in wet conditions. Never operate air compressor with protective covers removed or damaged.
<ul style="list-style-type: none"> Repairs attempted by unqualified personnel can result in serious injury or death by electrocution. 	<ul style="list-style-type: none"> Any electrical wiring or repairs required on this product should be performed by authorized service center personnel in accordance with national and local electrical codes.

⚠ DANGER: Make certain that the electrical circuit to which the air compressor is connected provides proper electrical grounding, correct voltage and adequate protection. Failure to provide adequate electrical grounding to this product could result in serious injury or death from electrocution. Refer to grounding instructions paragraph in the INSTALLATION section.



⚠ WARNING: Risk from moving parts.

WHAT CAN HAPPEN	HOW TO PREVENT IT
<ul style="list-style-type: none"> Moving parts such as the pulley, flywheel and belt can cause serious injury if they come into contact with you or your clothing. 	<ul style="list-style-type: none"> Never operate the air compressor with guards or covers which are damaged or removed. Keep your hair, clothing and gloves away from moving parts. Loose clothes, jewelry or long hair can be caught in moving parts. Air vents may cover moving parts and should be avoided as well.
<ul style="list-style-type: none"> Attempting to operate air compressor with damaged or missing parts or attempting to repair air compressor with protective shrouds removed can expose you to moving parts and can result in serious injury. 	<ul style="list-style-type: none"> Any repairs required on this product should be performed by a DEWALT factory service center or a DEWALT authorized service center.



⚠ WARNING: Risk of unsafe operation.

WHAT CAN HAPPEN	HOW TO PREVENT IT
<ul style="list-style-type: none"> • Unsafe operation of your air compressor could lead to serious injury or death to you or others. 	<ul style="list-style-type: none"> • Review and understand all instructions and warnings in this manual. • Become familiar with the operation and controls of the air compressor. • Keep operating area clear of all persons, pets and obstacles. • Keep children away from the air compressor at all times. • Do not operate the product when fatigued or under the influence of alcohol or drugs. Stay alert at all times. • Never defeat the safety features of this product. • Equip area of operation with a fire extinguisher. • Do not operate machine with missing, broken or unauthorized parts. • Never stand on the air compressor.



⚠ WARNING: Risk of injury from lifting.

WHAT CAN HAPPEN	HOW TO PREVENT IT
<ul style="list-style-type: none"> • Serious injury can result from attempting to lift too heavy an object. 	<ul style="list-style-type: none"> • The air compressor is too heavy to be lifted by one person. Obtain assistance from others before lifting.



⚠ WARNING: Risk from noise.

WHAT CAN HAPPEN	HOW TO PREVENT IT
<ul style="list-style-type: none"> • Under some conditions and duration of use, noise from this product may contribute to hearing loss. 	<ul style="list-style-type: none"> • Always wear certified safety equipment: ANSI S12.6 (S3.19) hearing protection.

Important Safety Instructions

READ THIS INSTRUCTION MANUAL AND SAFETY RULES BEFORE OPERATING THE UNIT. Compare the illustrations with the unit to familiarize yourself with the location of various controls and adjustments. Save this manual for future reference.

Air Compressor

A	Safety valve
B	Check valve
C	Pump air intake filter
D	Pump oil fill plug
E	Auto(1)/Off(0) switch
F	Pump oil drain plug
G	Tank pressure gauge
H	Air outlet
I	Tank drain valve

Fig. 1

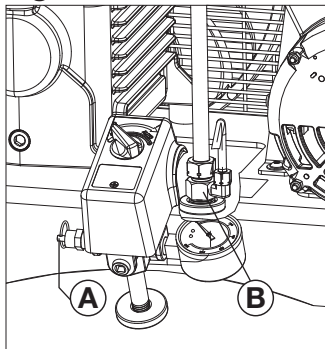
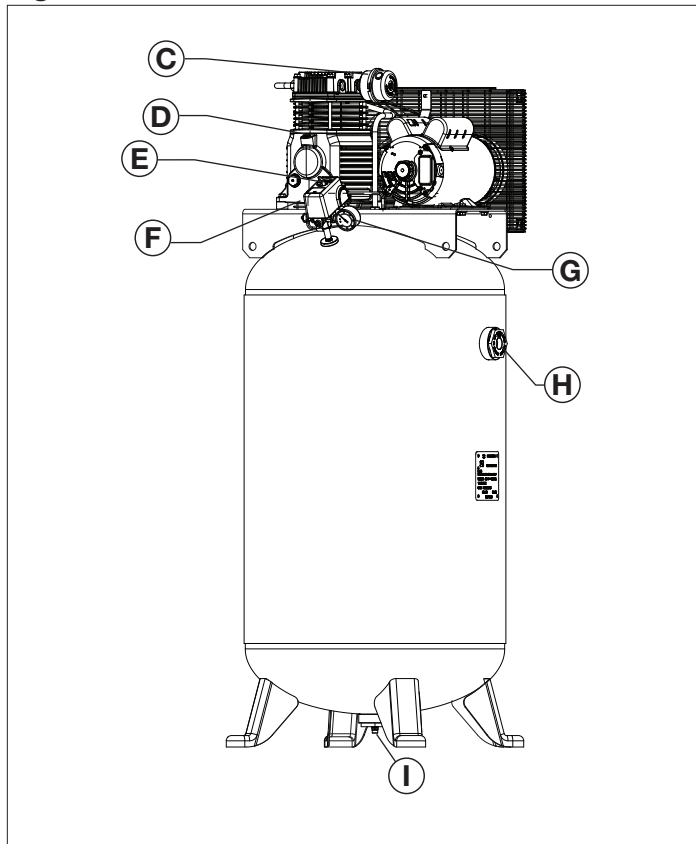


Fig. 2



Specifications

MODEL	DXCM805
WEIGHT	Approximate 259 lbs. (117.5 kg)
HEIGHT	62.70"
WIDTH	25.4"
TANK CAPACITY	80 gallons (302.9 liters)
Approx. CUT OUT pressure	175 PSI
AIR DELIVERY	17.0 SCFM at 40 PSI 14.6 SCFM at 90 PSI
TANK FILL TIME	7.5 MINUTES
INPUT	240V, 60Hz, Single Phase AC only, 20 Amps
MINIMUM BRANCH CIRCUIT REQUIREMENT	30 AMPS
FUSE TYPE	Time Delay

Pump Specifications

2 cylinder
Single stage
Oil lubricated
Cast iron crankcase, cylinder and aluminum head
Weight: 35.7 lbs (16.2 kg.)
Oil capacity: 32 fl. oz (946 mL)

Pump Part and Description (Fig. 3)

U	Full
V	Add
W	Oil drain plug
X	Oil level sight glass
Y	Oil fill plug

Fig. 3

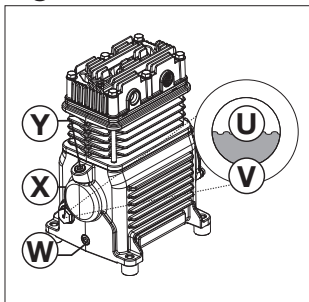
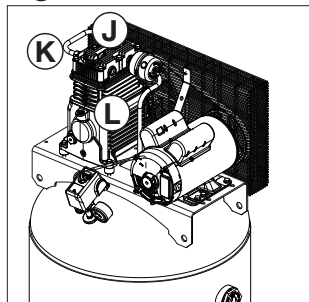


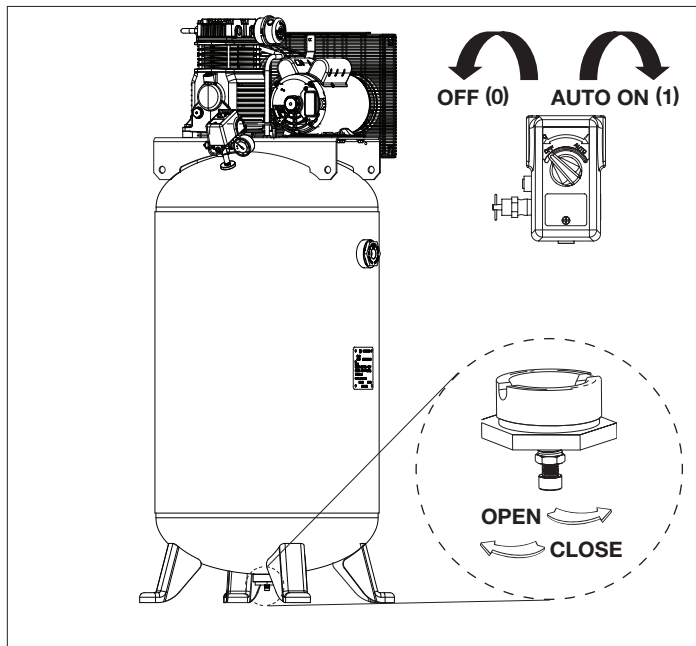
Fig. 4



Hot Surfaces (Fig. 4)

J	Air compressor cylinder and head
K	Outlet tube
L	Pump crankcase

Fig. 5

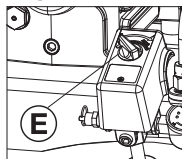


Features

AUTO (1) / OFF (0) SWITCH

Place this switch (E) in the AUTO (1) position to provide automatic power to the pressure switch and OFF (0) to remove power at the end of each use.

Fig. 6



⚠DANGER: Risk of Shock. ALWAYS ensure the switch (E) is in the OFF (0) position and unit is unplugged before removing or replacing pressure switch cover.

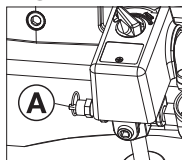
PRESSURE SWITCH

The pressure switch (not shown) automatically starts the motor when the tank pressure drops below the factory set cut-in pressure. It stops the motor when the tank pressure reaches the factory set cut-out pressure.

SAFETY VALVE

This valve (A) is designed to prevent system failures by relieving pressure from the system when the compressed air reaches a predetermined level. The valve is preset by the manufacturer and must not be removed or modified in any way.

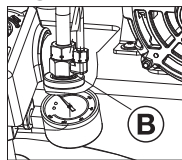
Fig. 7



CHECK VALVE

When air compressor is operating, the check valve (B) is open, allowing compressed air to enter the tank. When the air compressor reaches cut-out pressure, the check valve closes, allowing air pressure to remain inside the tank.

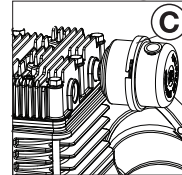
Fig. 8



AIR INTAKE FILTER

The filter (C) is designed to clean air entering the pump. To ensure the pump continually receives a clean air supply, the filter must always be clean and the filter intake must be free from obstructions.

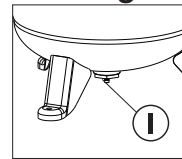
Fig. 9



TANK DRAIN VALVE

The drain valve (I) is located at the base of the tank and is used to drain condensation at the end of each use. See **Draining Tank** under **Maintenance**.

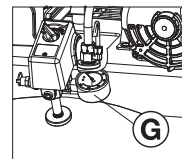
Fig. 10



TANK PRESSURE GAUGE

The tank pressure gauge (G) indicates the reserve air pressure in the tank.

Fig. 11



REGULATOR

(Sold separately, not shown) An air pressure regulator or a separate air transformer which combines the functions of air regulation and/or moisture and dirt removal is recommended for most applications. See **Air Distribution System** paragraph under **Installation**.

⚠DANGER: Risk of Bursting. Too much air pressure causes a hazardous risk of bursting. Check the manufacturer's maximum pressure rating for air tools and accessories. The outlet pressure must never exceed the maximum pressure rating of the tools or accessories.

PUMP

The pump compresses air into the tank. Working air is not available until the pump has raised the tank pressure above that required at the air outlet.

MOTOR OVERLOAD PROTECTOR

The motor has a thermal overload protector. If the motor overheats for any reason, the overload protector will shut off the motor. The motor must be allowed to cool down before restarting.

To restart:

1. Set the Auto/Off switch to OFF (0) and unplug unit.
2. Allow the motor to cool.
3. Depress the red reset button (T) on the motor.
4. Plug power cord into the correct branch circuit receptacle.
5. Set the Auto/Off switch to AUTO (1).

Fig. 12

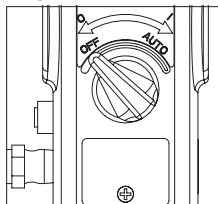


Fig. 13

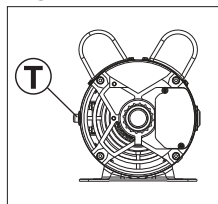
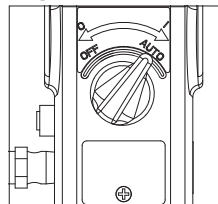


Fig. 14



Installation

Unpack the air compressor. Inspect the unit for damage. If the unit has been damaged in transit, contact the carrier and complete a damage claim. Do this immediately because there are time limitations to damage claims.

The Carton Should Contain	
Description	Quantity
Air compressor	1
Instruction manual	1

Check the air compressor serial label to ensure that you have received the model ordered, and that it has the required pressure rating for its intended use.

INSTALLING HOSES

▲WARNING: Risk of unsafe operation. Firmly grasp hose in hand when installing or disconnecting to prevent hose whip.

1. Ensure regulated pressure gauge reads 0 PSI (0 kPa).
2. Apply sealant tape to hose threads.
3. Assemble hose to air outlet (H). **IMPORTANT:** Do not assemble splitters directly to the air outlet (H) (Fig 2).

NOTICE: Assembling quick connect bodies to air outlet and quick connect plugs to hose ends make connecting and disconnecting hoses simple and easy. Quick connect bodies and plugs are available for purchase from your local dealer or authorized service center.

DISCONNECTING HOSES

▲ WARNING: Risk of unsafe operation. Firmly grasp hose in hand when installing or disconnecting to prevent hose whip.

1. Ensure regulated pressure gauge reads 0 PSI (0kPa).
2. Remove hose from air outlet (H) (Fig 2).

AIR COMPRESSOR LUBRICATION AND OIL

The air compressor pump was filled WITH oil at the manufacturer. Check pump oil level before operating unit. See **Air Compressor Pump Oil** under **Maintenance**.

COMPATIBILITY

Air tools and accessories that are run off the air compressor must be compatible with petroleum based products. If you suspect that a material is not compatible with petroleum products, an air line filter for removal of moisture and oil vapor in compressed air is required.

NOTICE: Always use an air line filter to remove moisture and oil vapor when spraying paint.

LOCATION

- Locate air compressor in a clean, dry and well ventilated area.
- Place air compressor at least 12" (30.5 cm) away from wall or other obstructions that will interfere with the flow of air.
- Place the air compressor as close to the main power supply as possible to avoid using long lengths of electrical wiring.

NOTICE: Long lengths of electrical wiring could cause power loss to the motor.

- The air filter must be kept clear of obstructions which could reduce air flow to the air compressor.

HUMID AREAS

In frequently humid areas, moisture may form in the pump and produce sludge in the oil, causing parts to wear out prematurely. Excessive moisture is especially likely to occur if the unit is located in an unheated area that is subject to large temperature changes. Two signs of excessive humidity are external condensation on the pump when it cools down and a "milky" appearance in air compressor oil. You may be able to prevent moisture from forming in the pump by increasing ventilation or operating for longer intervals.

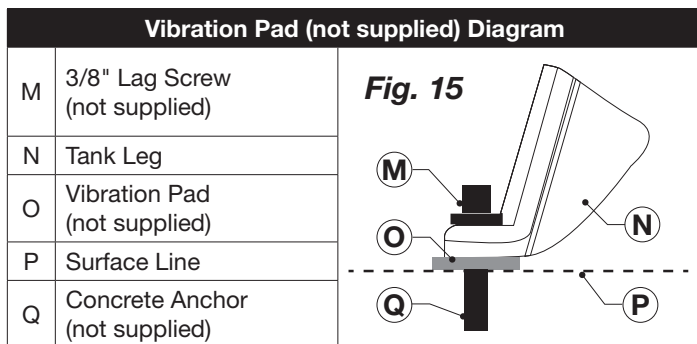
ANCHORING OF THE AIR COMPRESSOR

▲ DANGER: Risk of bursting. Excessive vibration can weaken the tank and cause an explosion. Air compressor must be properly mounted.

The air compressor MUST be bolted to a level, solid surface. Use 3/8" lag screws, vibration pads and anchors. If help is needed anchoring the air compressor consult a licensed contractor.

1. Place the air compressor on a level, solid surface. Make sure the surface is in good condition with no cracks or damage.
2. Mark the surface using the holes in the air compressor feet as a template.

3. Drill holes in the surface for the anchors. Install anchors.
4. Line-up holes in surface with holes in air compressor feet.
5. Place the vibration pads (not supplied) between the floor and air compressor feet, see **Fig 15**. If needed, use shims to level the unit.
6. Place the 3/8" lag screws through the air compressor feet, vibration pads and into the anchors.
7. Torque 3/8" lag screws to 7-10 ft.-lbs (9.5-13.5 Nm).



ELECTRICAL WIRING

⚠WARNING: Improper electrical installation of this product may void its warranty and your fire insurance. Have circuit wiring performed by qualified personnel such as a licensed electrician who is familiar with the national electrical code and any prevailing local electrical codes.

⚠DANGER: Risk of electrical shock. Improper electrical grounding can result in electrical shock. The wiring should be done by a qualified electrician.

A qualified electrician needs to know the following before wiring:

1. The amperage rating of the electrical box is adequate. Refer to the **Specifications**, for this information.
2. The supply line has the same electrical characteristics (voltage, cycle, phase) as the motor. Refer to the motor nameplate for this information.

NOTICE: The wiring used must be rated for the motor nameplate voltage, plus or minus 10%. Refer to local codes for recommended wire sizes, correct wire size and maximum wire run. Undersized wire causes high amp draw and overheating to the motor.

NOTICE: A circuit breaker is recommended. If the air compressor is connected to a circuit protected by fuses, use only time delay fuses marked "D" or "T".

⚠DANGER: Risk of electrical shock. Electrical wiring must be located away from hot surfaces such as manifold assembly, air compressor outlet tubes, heads or cylinders.

GROUNDING INSTRUCTIONS

⚠DANGER: Risk of electrical shock. In the event of a short circuit, grounding reduces the risk of shock by providing an escape wire for the electric current. This air compressor must be properly grounded.

This product must be connected to a grounded, metallic, permanent wiring system, or an equipment-grounding terminal or lead on the product.

⚠ DANGER: Risk of electrical shock. Improper grounding can result in electrical shock.

VOLTAGE AND CIRCUIT PROTECTION

Refer to the **Voltage** and **Minimum Branch Circuit Requirements** under **Specifications**.

- Voltage supply to circuit must comply with the National Electrical Code.
- Circuit is not used to supply any other electrical needs.

MAIN POWER DISCONNECT SWITCH

Install a main power disconnect switch in the line from the panel to the air compressor. The main power disconnect switch must be located near the air compressor, for ease of use and safety. When turned OFF, the main power disconnect switch shuts off all power to the air compressor. When turned ON, the air compressor will start and stop automatically, controlled by the pressure switch.

AIR DISTRIBUTION SYSTEM

⚠ DANGER: Risk of bursting. Do not use polymeric pipe not safety certified and not marked for use with compressed air. Conventional plastic or PVC pipe is not designed for use with compressed air regardless of its marked pressure rating.

NOTICE: Compressed air from oil lubed air compressors will contain water condensation and oil mist. Several drains, traps and filters will be needed to supply air without water (including aerosols) or oil to spray equipment, air tools and accessories requiring filtered air. Always read the instructions for the air tools and accessories being used.

- Use pipe that is the same size as the tank outlet. Piping that is too small will restrict the flow of air.
- If piping is over 100' (30.5 m) long, use the next larger size.
- Bury underground lines below the frost line and avoid pockets where condensation can gather and freeze. Apply pressure before underground lines are covered to make sure all pipe joints are free of leaks.
- A flexible coupling is recommended to be installed between the globe valve/air discharge outlet and main air distribution line to allow for vibration.
- A separate regulator is recommended to control the air pressure. Air pressure from the tank is usually too high for individual air driven tools.
- DO NOT install lubricators between the tank and any spray equipment, air tool or accessory requiring oil-free filtered air.
- Drain all traps, filters and dirt legs daily.

Operations

HOW TO STOP:

Set the Auto/Off switch to "OFF (0)" **Fig 17**.

BEFORE STARTING

▲WARNING: Do not operate this unit until you read this instruction manual for safety, operation and maintenance instructions.

For proper operation of your air compressor, it is recommended that a 50% duty cycle be maintained; that is, the air compressor should not run more than 30 minutes in any 60 minute period.

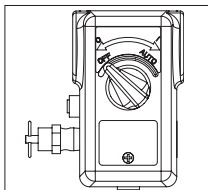
BREAK-IN PROCEDURE

NOTICE: Risk of property damage. Serious damage may result if the following break-in instructions are not closely followed.

This procedure is required before the air compressor is put into service and when the check valve or a complete pump has been replaced.

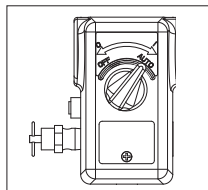
1. Make sure the Auto/Off switch is in the "OFF (0)" position.
2. Check oil level in pump. See **Checking Oil** paragraph in **Maintenance** for instructions.
3. Recheck all wiring. Make sure wires are secure at all terminals connections. Make sure all contacts move freely and are not obstructed.
4. Open the drain valve (clockwise) fully to permit air to escape and prevent air pressure build up in the tank during the break-in period.

Fig. 17



5. Move the Auto/Off switch to "AUTO (1)" position, **Fig 18**. The air compressor will start.

Fig. 18



6. Run the air compressor for 30 minutes. Make sure the drain valve and all air lines are open so there is only a minimal air pressure build-up in tank.

NOTICE: After about 30 minutes, If the unit does not operate properly, SHUT DOWN IMMEDIATELY, and contact **Product Service at: 1-888-895-4549**.

7. Check all air line fittings and connections/piping for air leaks by applying a soap solution. Correct if necessary.

NOTICE: Minor leaks can cause the air compressor to overwork, resulting in premature breakdown or inadequate performance.

8. Check for excessive vibration. Re-adjust or shim air compressor feet, if necessary.
9. After 30 minutes, turn the Auto/Off switch to the "OFF (0)" position.
10. Close the drain valve.
11. Turn the Auto/Off switch to the "AUTO (1)" position. The tank will fill to "cut-out" pressure and the motor will stop.

The air compressor is now ready for use.

BEFORE EACH START-UP

1. Every day check the sight glass to ensure that the level of oil in the pump is at the required level.
2. Place Auto/Off switch to "OFF (0)".
3. Close the drain valve.
4. Visually inspect air lines and fittings for leaks.
5. Check safety valve. See **Check Safety Valve** under **Maintenance**.
6. Attach hose and accessories.

▲WARNING: Risk of unsafe operation. Firmly grasp air hose in hand when installing or disconnecting to prevent hose whip.

▲WARNING: Risk of unsafe operation. Do not use damaged or worn accessories.

NOTICE: The hose or accessory will require a quick connect plug if the air outlet is equipped with a quick connect socket.

NOTICE: A regulator MUST be used if the air pressure required for the accessory is less than the maximum air pressure supplied from the air compressor.

▲DANGER: Risk of bursting. Too much air pressure causes a hazardous risk of bursting. Check the manufacturer's maximum pressure rating for air tools and accessories. The regulator outlet pressure must never exceed the maximum pressure rating.

▲CAUTION: Risk of unsafe operation. Compressed air from the unit may contain water condensation and oil mist. Do not spray unfiltered air at an item that could be damaged by moisture. Some air tools and accessories may require filtered air. Read the instructions for the air tools and accessories.

HOW TO START

1. Turn the Auto/Off switch to "AUTO (1)" and allow tank pressure to build. Motor will stop when tank pressure reaches "cut-out" pressure.
2. When the tank pressure reaches "cut-out" pressure open the air discharge valve.

NOTICE: When using a regulator and other accessories refer to the manufacturer's instructions.

▲DANGER: Risk of bursting. If any unusual noise or vibration is noticed, stop the air compressor immediately and have it checked by a trained service technician.

The air compressor is ready for use.

SHUT-DOWN (Fig 5)

1. Move Auto/Off switch to the OFF (0) position.

NOTICE: When finished using air compressor, follow Steps 2 - 5.

2. Drain the tank, see **Draining Tank** under **Maintenance**. Ensure tank pressure gauge reads 0 PSI (0 kPa).

SHUT-DOWN (*continued*)

▲WARNING: *Risk of unsafe operation. Firmly grasp air hose in hand when installing or disconnecting to prevent hose whip.*

3. Remove hose and accessory.

▲DANGER: *Risk of bursting. Drain tank daily. Water will condense in tank. If not drained, water will corrode and weaken the tank causing a risk of tank rupture.*

4. Allow the air compressor to cool down.

5. Wipe air compressor clean and store in a safe, non-freezing area.

Maintenance

To ensure efficient operation and longer life of the air compressor, a routine maintenance schedule should be prepared and followed. The following routine maintenance schedule is geared to an air compressor in a normal working environment operating on a daily basis. If necessary, the schedule should be modified to suit the conditions under which the air compressor is used. The modifications will depend upon the hours of operation and the working environment. An air compressor in an extremely dirty and/or hostile environment will require a greater frequency of all maintenance checks.

Maintenance Schedule					
Procedure	Daily	Weekly	Monthly	1 Year or 100 Hours	See Tank Warning
Check safety valve	√				
Inspect air filter		√+			
Drain tank	√				
Check pump oil level	√				
Change pump oil				√**	
Oil leak inspection	√				
Inspect drive belt	√				
Check drive belt tension			√		
Check pulley/flywheel alignment				√	
Check for unusual noise/vibration	√				
Check for air leaks	√*				
Clean air compressor exterior		√			
Remove tank from service					√++

* To check for air leaks apply a solution of soapy water around joints. While air compressor is pumping to pressure and after pressure cuts out, look for air bubbles to form.

** The pump oil must be changed after the first 20 hours of operation. Thereafter, when using full synthetic non-detergent air compressor oil, change oil every 100 hours of operation or once a year, whichever comes first.

+ Perform more frequently in dusty or humid conditions.

++ For more information, call 1-888-895-4549 .

▲WARNING: Risk of unsafe operation. Unit cycles automatically when power is on. When performing maintenance, you may be exposed to voltage sources, compressed air, or moving parts. Personal injuries can occur. Before performing any maintenance or repair, disconnect power source from the air compressor and bleed off all air pressure.

CHECKING SAFETY VALVE

▲WARNING: Hot surfaces. Risk of burn. Tubes, pump head, and surrounding parts are very hot, do not touch (see the Hot Surfaces identified in Fig. 4). Allow air compressor to cool prior to servicing.

▲DANGER: Risk of bursting. If the safety valve does not work properly, over-pressurization may occur, causing tank rupture or an explosion.

▲WARNING: Risk from flying objects. Always wear certified safety equipment: ANSI Z87.1 eye protection (CAN/CSA Z94.3) with side shields.

▲WARNING: Risk from noise. Use ear protection (ANSI S12.6 (S3.19) as air flow noise is loud when draining.

Before starting air compressor, pull the ring on the safety valve (A) to make sure that the safety valve operates freely. If valve is stuck or does not operate smoothly, it must be replaced with the same type of valve.

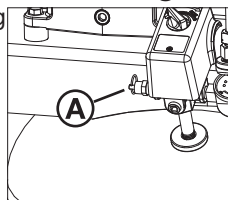


Fig. 19

CHECKING AIR FILTER

▲WARNING: Hot surfaces. Risk of burn. Tubes, pump head, and surrounding parts are very hot, do not touch (see the Hot Surfaces identified in Fig. 4). Allow air compressor to cool prior to servicing.

A dirty air filter will not allow the air compressor to operate at full capacity. Keep the air filter clean at all times.

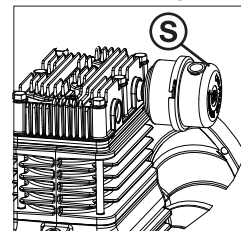
1. Ensure Auto/Off switch is in the OFF (0) Position. **Fig. 20**

2. Allow unit to cool.

3. Unsnap/Rotate the air filter cover to remove (S).

4. Check the filter element. If it is dirty, blow compressed air through the filter element for 10-15 seconds or replace if needed. If the filter is filled with paint, replace it.

5. Place element into housing and reattach the air filter cover.



▲WARNING: Risk of unsafe operation. Do not operate without air filter.

DRAINING TANK (Fig. 5)

▲WARNING: Risk of unsafe operation. Tanks contain high pressure air. Keep face and other body parts away from outlet of drain. Use eye protection [ANSI Z87.1 (CAN/CSA Z94.3)] when draining as debris can be kicked up into face.

▲WARNING: Risk from noise. Use ear protection (ANSI S12.6 (S3.19) as air flow noise is loud when draining.

NOTICE: All compressed air systems generate condensation that accumulates in any drain point (e.g., tanks, filter, aftercoolers, dryers). This condensate contains lubricating oil and/or substances which may be regulated and must be disposed of in accordance with local, state, and federal laws and regulations.

1. Set the Auto/Off switch to "OFF (0)".

2. Pull ring on safety valve allowing air to bleed from the tank until tank pressure is approximately 20 PSI. Release safety valve ring.
3. Drain water from tank by opening drain valve (clockwise) on bottom of tank.

⚠DANGER: Risk of bursting. Water will condense in the tank. If not drained, water will corrode and weaken the tank causing a risk of tank rupture.

NOTICE: Risk of property damage. Water from tank may contain oil and rust which can cause stains.

4. After the water has been drained, close the drain valve (counterclockwise). The air compressor can now be stored.

NOTICE: If drain valve is plugged, release all air pressure. The valve can then be removed, cleaned then reinstalled.

AIR COMPRESSOR PUMP OIL (FIG. 3)

NOTICE: Risk of property damage. Use air compressor oil only. Multi-weight automotive engine oils like 10W30 should not be used in air compressors. They leave carbon deposits on critical components, thus reducing performance and air compressor life.

NOTICE: Use full synthetic, non-detergent air compressor oil.

NOTICE: Crankcase oil capacity is approximately 32 fluid ounces (946 ml).

CHECKING OIL

1. The oil level should be to the middle of the sight glass (X).

2. If needed, remove oil fill plug (Y) and slowly add oil until it reaches the middle of the sight glass.

CHANGING OIL

⚠WARNING: Drain tank to release air pressure before removing the oil fill plug or oil drain plug.

1. Remove the oil fill plug (Y).
2. Remove the oil drain plug (W) and drain oil into a suitable container.
3. Replace the oil drain plug (W) and tighten securely.
4. Slowly add air compressor oil until it reaches the middle of the sight glass (X).

NOTICE: When filling the crankcase, the oil flows very slowly into the pump. If the oil is added too quickly, it will overflow and appear to be full.

⚠CAUTION: Overfilling with oil will cause premature pump failure. Do not overfill.

5. Replace oil fill plug (Y) and tighten securely.

BELT REPLACEMENT

⚠WARNING: This unit starts automatically. ALWAYS shut off and unplug the air compressor, and bleed all pressure from the system before servicing the air compressor, and when the air compressor is not in use. Do not use the unit with the shrouds or belt guard removed. Serious injury could occur from contact with moving parts. Hot surfaces. Risk of burn. Pump head, and surrounding parts are very hot, do not touch (see the Hot Surfaces identified in Fig. 4). Allow air compressor to cool prior to servicing.

1. Set the Auto/Off lever to "OFF (0)", unplug the unit, and relieve all air pressure from the tank.
2. Remove the outer belt guard (Z).
3. Mark motor position on saddle.
4. Loosen the motor mounting screws and slide the motor toward the air compressor pump.
5. Remove the belt and replace with a new one.
6. See the Adjusting Belt Tension before tightening motor mounting screws.

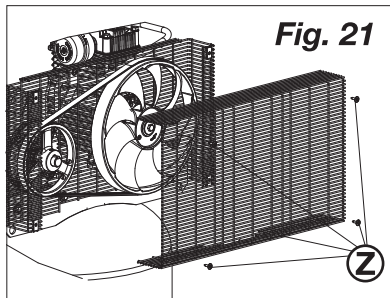


Fig. 21

is applied at the mid-way point.

4. When proper belt tension is achieved, tighten motor mounting screws. Torque to 20-25 ft-lbs (27.1-33.9 Nm).

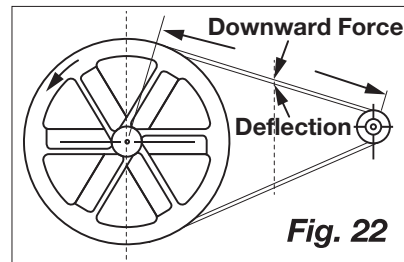


Fig. 22

NOTICE: Once the motor pulley has been moved from its factory set location, the grooves of the flywheel and pulley must be aligned to within 1/16" (1.6 mm) to prevent excessive belt wear. Verify the alignment by performing the following Motor Pulley/Flywheel - Alignment.

MOTOR PULLEY/FLYWHEEL ALIGNMENT

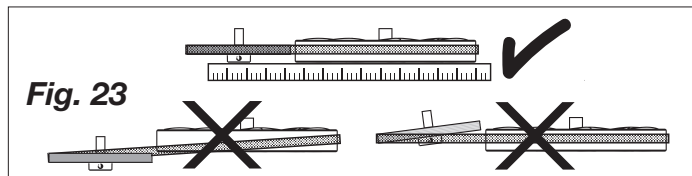


Fig. 23

ADJUSTING BELT TENSION

1. Slide motor into original position, line the motor up with the mark made earlier on saddle.
2. Tighten two outside motor mounting screws enough to hold the motor in place for checking pulley and flywheel alignment.
3. The belt should deflect 1/4" (6.5 mm) at midway between the pulley and the flywheel when a 10 pound (4.5 kg.) weight

The air compressor flywheel and motor pulley hub must be in-line (in the same plane) within 1/16" (1.6 mm) to assure belt retention within flywheel belt grooves. To correct misalignment, perform the following steps:

1. Set the Auto/Off lever to "OFF (0)", unplug the unit, and relieve all air pressure from the tank.
2. Remove the outer belt guard.
3. Loosen the motor mounting bolts.
4. Loosen the set screws on the motor pulley.
5. Align the motor pulley with the pump flywheel.
6. Retighten the motor pulley set screws. Torque 120-130 in.-lbs (13.6-14.7 Nm).
7. Adjust the proper belt tension.
8. Retighten the motor mounting bolts. Torque to 20-25 ft.-lbs (27.1–33.9 Nm).
9. Reinstall the outer belt guard. All moving parts must be guarded.

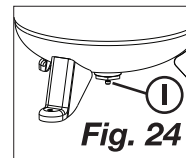
PUMP INTAKE AND EXHAUST VALVES

Once a year have a Trained Service Technician check the pump intake and exhaust valves.

INSPECT AIR LINES AND FITTINGS FOR LEAKS

1. Turn the Auto/Off switch to "Auto (1)" and allow tank pressure to build. Motor will stop when tank pressure reaches "cut-out" pressure.
2. Set the Auto/Off switch to "Off (0)" and unplug unit.

3. Apply a soap solution to all air-line fittings and connections/piping to find leaks.
4. Pull ring on safety valve allowing air to bleed from the tank until tank pressure is approximately 20 PSI. Release safety valve ring.
5. Drain water from tank by opening drain valve (I).
6. Correct any leaks found.



NOTICE: Even minor leaks can cause the air compressor to overwork, resulting in premature breakdown or inadequate performance.

PUMP HEAD BOLTS - TORQUE

The pump head bolts should be kept properly torqued. Check torque of the head bolts after the first five hours of operation. Torque to 15-20 ft.-lbs. (20.3-27.1 Nm).

Service and Adjustments

ALL MAINTENANCE AND REPAIR OPERATIONS NOT LISTED MUST BE PERFORMED BY TRAINED SERVICE TECHNICIAN.

▲WARNING: Risk of unsafe operation. Unit cycles automatically when power is on. When servicing, you may be exposed to voltage sources, compressed air, or moving parts. Before servicing unit unplug or disconnect electrical supply to the air compressor, bleed tank of pressure, and allow the air compressor to cool.

Additional Service

Disassembly or service of the air compressor beyond what is covered in this manual is not recommended. If additional service is required, contact nearest Authorized Warranty Service Center.

Accessories

Recommended accessories for use with your tool are available for purchase from your local dealer or authorized service center. If you need assistance in locating any accessory for your tool, please call 1-888-895-4549 or visit www.dewalt.com.

⚠WARNING: *The use of any other accessory not recommended for use with this tool could be hazardous. Use only accessories rated equal to or higher than the rating of the air compressor.*

Service Information

Please have the following information for all service calls:

Model Number _____ Serial Number _____

Date and Place of Purchase _____

Repairs

To assure product SAFETY and RELIABILITY, repairs, maintenance and adjustment should be performed by a DEWALT factory service center, a DEWALT authorized service center or other qualified service personnel. Always use identical replacement parts.

Limited Warranty

The Manufacturer warrants from the date of purchase.

2 Year – Limited warranty on oil-lubricated pumps.

1 Year – Limited warranty on all other air compressor components. This warranty is not transferable to subsequent owners.

The Manufacturer will repair or replace, without charge, at their option, any defects due to faulty materials or workmanship. For further detail of warranty coverage and warranty repair information, call 1-(888)-895-4549 or visit dewalt.com. This warranty does not apply to accessories or damage caused where repairs have been made or attempted by others. This warranty also does not apply to merchandise sold by the Manufacturer which has been manufactured by and identified as the product of another company, such as gasoline engines. Such manufacturer's warranty, if any, will apply.

ANY INCIDENTAL, INDIRECT OR CONSEQUENTIAL LOSS, DAMAGE OR EXPENSE THAT MAY RESULT FROM ANY DEFECT, FAILURE OR MALFUNCTION OF THE PRODUCT IS NOT COVERED BY THIS WARRANTY. Some states do not

allow the exclusion of limitation of incidental or consequential damages, so the above limitation or exclusion may not apply to you. **IMPLIED WARRANTIES, INCLUDING THOSE OF MERCHANTABILITY OR FITNESS FOR A PARTICULAR PURPOSE, ARE LIMITED TO ONE YEAR FROM THE DATE OF ORIGINAL PURCHASE.** Some states do not allow limitations on how long an implied warranty lasts, so the above limitations may not apply to you. What the Manufacturer Will Do: (the Manufacturer) will cover parts and labor to remedy substantial defects due to materials and workmanship during the first year of ownership, with the exceptions noted below. Parts used in repair of whole goods or accessories are warranted for the balance of the original warranty period.

What is not covered Under This Warranty? Failures by the original retail purchaser to install, maintain, and operate said equipment in accordance with standard industry practices. Modifications to the product, or tampering with components, or failure to comply with the specific recommendations of the Manufacturer set forth in the owner's manual, will render this warranty null and void. The Manufacturer shall not be liable for any repairs, replacements, or adjustments to the equipment, or any costs for labor performed by the purchaser without the Company's prior written approval. The effects of corrosion, erosion, surrounding environmental conditions, cosmetic defects, and routine maintenance items, are specifically excluded from this warranty. Routine maintenance items such as: oil, lubricants, and air filters, as well as changing oil, air filters, belt tensioning, etc... fall under the owner's responsibility. Additional exclusions include: freight damage, failures resulting from neglect, accident, or abuse, induction motors when operated from a generator, oil leaks, air leaks, oil consumption, leaky fittings, hoses, drain valve, bleeder tubes, and transfer tubes.

- The following components are considered normal wear items and are not covered after the first year of ownership: Belts, pulleys, flywheels, check valves, pressure switches, outlet tube, pressure relief tube, throttle controls, electric motors, brushes, regulators, o-rings, pressure gauges, tubing, piping, fittings, fasteners, wheels, quick couplers, gaskets, seals, air filter housings, piston rings, connecting rods and piston seals.
- Labor, service calls, and travel charges, are not covered after the first year of ownership on stationary air compressors (air compressors without handles, or wheels). Repairs requiring overtime, weekend rates, or any other charges beyond the standard shop labor rate are not covered.
- Time required for orientation training for the service center to gain access to the product, or additional time due to inadequate egress.
- Damage caused by incorrect voltage, improperly wired, or failure to have a certified licensed electrician install the air compressor, will render this warranty null and void.
- Damage caused from inadequate filter maintenance.
- Pump wear or valve damage caused by using oil not specified.
- Pump wear or damage caused by any oil contamination.
- Pump wear or valve damage caused by failure to follow proper maintenance guidelines.
- Operation below proper oil level or operation without oil.
- If product is equipped with a gasoline engine, see engine manual for specific engine manufacturer's warranty coverage.

Parts purchased separately: The warranty for parts purchased separately such as: pumps, motors, etc., are as follows:
From Date of Purchase

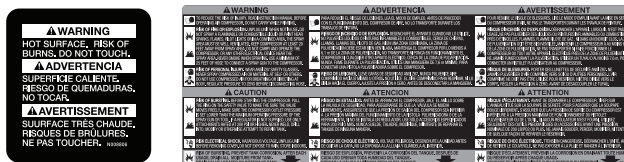
- All single & two stage pumps: 1 year
- Induction electric motors: 90 days
- Universal electric motor/pump: 30 days
- All other parts: 30 days
- No return authorization will be issued for electrical components once items are installed.

How do You Get Service? In order to be eligible for service under this warranty you must be the original retail purchaser, and provide proof of purchase from one of the Manufacturer's dealers, distributors, or retail outlet stores. Portable air compressors or components must be delivered, or shipped, to the nearest Authorized Service Center. All associated freight costs and travel charges must be borne by the consumer. Please call our toll free number 1-888-895-4549 for assistance. THIS WARRANTY GIVES YOU SPECIFIC LEGAL RIGHTS, AND YOU MAY ALSO HAVE OTHER RIGHTS WHICH VARY FROM STATE TO STATE.

THE MANUFACTURER MAKES NO OTHER WARRANTY OR REPRESENTATION OF ANY KIND WHATSOEVER, EXPRESSED OR IMPLIED, EXCEPT THAT OF TITLE. ALL IMPLIED WARRANTIES, INCLUDING ANY WARRANTY OF MERCHANTABILITY AND FITNESS FOR PARTICULAR PURPOSE ARE HEREBY DISCLAIMED. LIABILITY FOR

CONSEQUENTIAL AND INCIDENTAL DAMAGES UNDER ANY AND ALL WARRANTIES, OTHER CONTRACTS, NEGLIGENCE, OR OTHER TORTS IS EXCLUDED TO THE EXTENT EXCLUSION IS PERMITTED BY LAW.

FREE WARNING LABEL REPLACEMENT: If your warning labels become illegible or are missing, call 1-888-895-4549 for a free replacement.



GLOSSARY

CFM: Cubic feet per minute.

SCFM: Standard cubic feet per minute; a unit of measure of air delivery.

PSI: Pounds per square inch; a unit of measure of pressure.

Cut-in pressure: Factory set low pressure point that starts the air compressor to repressurize the tank to a higher pressure.

Cut-out pressure: Factory set high pressure point that stops the air compressor from increasing the pressure in the tank above a certain level.

Well-ventilated: A means of providing fresh air in exchange for dangerous exhaust or vapors.

Dedicated circuit: An electrical circuit reserved for the exclusive use of the air compressor.

ASME: American Society of Mechanical Engineers. Indicates that the components are manufactured, tested and inspected to the specifications set by ASME.

CSA Group (US): Indicates that the product was tested and has met the certification requirements for UL ANSI/UL 1450



CSA Group (CAN/US): Indicates that the product was tested and has met the certification requirements for both Canadian Standards Associate CSA C22.2 No. 68 and UL ANSI/UL 1450



California Code: Unit may comply with California Code 462 (I) (2)/ (M) (2). Specification/model label is on the side of the tank on units that comply with California Code.

Troubleshooting Guide

This section provides a list of the more frequently encountered malfunctions, their causes and corrective actions. The operator or maintenance personnel can perform some corrective actions, and others may require the assistance of a qualified DEWALT technician or your dealer.

Problem	Code
Air leaks	1
Air leaks in tank or at tank welds	2
Air leaks between head and valve plate	3
Air leaks from safety valve	4
Air compressor is not supplying enough air to operate accessories	1,5,6,7,9,10 13, 19, 20, 21, 23, 24, 25, 26, 27
Restricted air intake	9
Oil in discharge air	19
Knocking Noise	10,11,12,13,14
Excessive belt wear	10,11,14,15
Squealing sound	10
Moisture in pump crankcase	1,3,8,17,18,19,20,21,22
Excessive current draw	14,23,24,25
Air compressor won't start in cold temperatures	17,31,32
Air compressor stalls	25,26,27
Overheating	23,24,25,29,30

Troubleshooting Codes

Code	Possible Cause	Possible Solution
1	Fittings are not tight.	Tighten fittings where air can be heard escaping. Check fittings with soapy water solution. DO NOT OVERTIGHTEN.
2	Defective tank.	Tank must be replaced. Do not repair the leak. ▲DANGER: Risk of bursting. Do not drill into, weld or otherwise modify tank or it will weaken. The tank can rupture or explode.
3	Leaking seals.	Contact a DEWALT factory service center or a DEWALT authorized service center.
4	Defective safety valve.	Operate safety valve manually by pulling on ring. If valve still leaks, it must be replaced.
5	Prolonged excessive use of air.	Decrease amount of air usage.
6	Air compressor is not large enough for accessory.	Check the accessory air requirement. If it is higher than the SCFM or pressure supplied by your air compressor, a larger air compressor is needed to operate accessory.

Code	Possible Cause	Possible Solution
7	Hole in air hose.	Check air hose, replace if required.
8	Operating in damp or humid conditions.	Move unit to a dry, well ventilated area.
9	Restricted air intake filter.	Clean or replace air intake filter.
10	Loose belt.	Check belt tension, see Adjusting Belt Tension under Maintenance , page 22.
11	Loose pulley.	Tighten pulley set screw, torque to 120-130 in.-lbs (13.6-14.7 Nm).
12	Loose flywheel.	Tighten flywheel screw, torque to 20-24 ft-lbs (27-32 Nm).
13	Carbon build-up in pump.	Contact a DEWALT factory service center or a DEWALT authorized service center.
14	Belt too tight.	Check belt tension, see Adjusting Belt Tension under Maintenance , page 22.
15	Pulley misalignment.	See Motor Pulley/ Flywheel Alignment under Maintenance , page 22.
16	Pump oil is low.	Add full synthetic, non-detergent air compressor oil to pump. See Air Compressor Pump Oil under Maintenance , page 21.

Code	Possible Cause	Possible Solution
17	Detergent type oil being used in pump.	Drain oil and refill pump with full synthetic non-detergent air compressor oil.
18	Very light duty cycles.	Run longer duty cycles.
19	Piston rings damaged or worn.	Contact a DEWALT factory service center or a DEWALT authorized service center.
20	Cylinder or piston damaged or worn.	Contact a DEWALT factory service center or a DEWALT authorized service center.
21	Air compressor cylinder finish worn.	Contact a DEWALT factory service center or a DEWALT authorized service center.
22	Water in pump oil.	Drain oil and refill pump with full synthetic non-detergent air compressor oil.
23	Low voltage/motor overload.	Check that power supply is adequate and that air compressor is on a dedicated circuit. If air compressor is connected to a circuit protected by fuses, use time delay fuses marked "D" or "T".

Code	Possible Cause	Possible Solution
24	Restricted air passages.	Inspect and replace transfer tubes or check valve, as required.
25	Low voltage motor.	Furnish adequate power.
26	Bad check valve.	Replace check valve.
27	Seized pump.	Contact a DEWALT factory service center or a DEWALT authorized service center.
28	Oil level too high.	Reduce to proper level. See Air Compressor Pump Oil under Maintenance , page 21.
29	Poor ventilation.	Relocate air compressor to an area with cool, dry, well circulated air, at least 12 in. from nearest wall.
30	Dirty cooling surfaces.	Clean all cooling surfaces.
31	Too much back pressure in tank.	Open drain valve when starting motor.
32	Air compressor too cold.	Move air compressor to a warmer location.

Définitions : Consignes de sécurité

Les définitions ci-après décrivent le niveau de gravité de chaque mot-indicateur. Veuillez lire ce guide et prêter particulièrement attention à ces symboles.

⚠ DANGER : Indique une situation dangereuse imminente qui, si elle n'est pas évitée, résultera en mort d'homme ou des blessures graves.

⚠ AVERTISSEMENT : Indique une situation potentiellement dangereuse qui, si elle n'est pas évitée, pourrait résulter en mort d'homme ou des blessures graves.

⚠ ATTENTION : Indique une situation potentiellement dangereuse qui, si elle n'est pas évitée, pourrait résulter en blessures mineures ou modérées.

AVIS : Indique une pratique non associée à des blessures corporelles qui, si elle n'est pas évitée, pourrait résulter en des dommages matériels.

POUR TOUTE QUESTION OU COMMENTAIRE CONCERNANT CE PRODUIT OU UN DES OUTILS DeWALT, VEUILLEZ COMPOSER LE NUMÉRO SANS FRAIS SUIVANT : 1 888 895-4549

Consignes de sécurité importantes

⚠ AVERTISSEMENT : N'utilisez pas cet appareil avant d'avoir lu ce guide d'utilisation, pour connaître les consignes de sécurité, d'utilisation et d'entretien.

AVERTISSEMENT : CONTIENT DU PLOMB. Peut être nocif si consommé ou mâché. Peut produire de la poussière à teneur en plomb. Lavez vos mains après l'utilisation. Gardez hors de la portée des enfants.

⚠ AVERTISSEMENT : Ce produit peut vous exposer à des produits chimiques, y compris le plomb qui est reconnu par l'état de la Californie comme pouvant causer le cancer, des anomalies congénitales ou d'autres dommages aux fonctions reproductrices. Pour obtenir des renseignements supplémentaires, allez sur www.P65Warnings.ca.gov.



⚠ DANGER : Risque d'explosion ou d'incendie.

CE QUI PEUT ARRIVER	COMMENT LE PRÉVENIR
<ul style="list-style-type: none"> Il est normal que les contacts électriques au sein du moteur et du pressostat produisent des étincelles. 	<ul style="list-style-type: none"> Utilisez toujours le compresseur d'air dans un emplacement bien aéré et exempt de matières combustibles, d'essence ou de vapeurs de solvants.
<ul style="list-style-type: none"> Si des étincelles électriques du compresseur d'air entrent en contact avec des vapeurs inflammables, elles pourraient prendre feu et causer un incendie ou une explosion. 	<ul style="list-style-type: none"> Si vous pulvérisez des matières inflammables, placez le compresseur d'air à au moins 6,1 m (20 pi) de l'espace de pulvérisation. Un boyau d'air plus long peut être nécessaire. Entreposez les matières inflammables dans un emplacement sécurisé et éloigné du compresseur d'air.
<ul style="list-style-type: none"> L'obstruction de tout orifice de ventilation du compresseur d'air causera une surchauffe importante et pourrait entraîner un incendie. 	<ul style="list-style-type: none"> Ne placez jamais d'objets contre ou sur le compresseur d'air. Utilisez le compresseur d'air dans un espace ouvert à une distance d'au moins 30,5 cm (12 po) de tout mur ou objet qui pourrait limiter le flux d'air frais aux orifices de ventilation. Utilisez l'appareil dans un espace propre, sec et bien aéré. N'utilisez l'appareil dans aucun espace confiné. Entreposez à l'intérieur.



DANGER : Risque d'explosion ou d'incendie.

CE QUI PEUT ARRIVER	COMMENT LE PRÉVENIR
<ul style="list-style-type: none"> Un fonctionnement non surveillé de ce produit pourrait entraîner des blessures ou des dommages matériels. Pour réduire les risques d'incendie, ne laissez pas le compresseur d'air fonctionner sans surveillance. 	<ul style="list-style-type: none"> Restez toujours présent(e) auprès du produit pendant qu'il est en marche. Éteignez et débranchez toujours l'appareil lorsqu'il n'est pas utilisé.



DANGER : Risque pour la respiration (asphyxie).

CE QUI PEUT ARRIVER	COMMENT LE PRÉVENIR
<ul style="list-style-type: none"> L'air comprimé provenant de votre compresseur d'air est impropre à la respiration. Ce flux d'air pourrait contenir du monoxyde de carbone, des vapeurs toxiques ou des particules solides provenant du réservoir. Respirer ces contaminants peut entraîner des blessures graves, voire la mort. 	<ul style="list-style-type: none"> N'utilisez jamais l'air issu directement du compresseur pour fournir de l'air à des fins de consommation humaine. Le compresseur d'air n'est pas équipé de filtres et d'équipements de sécurité en ligne adaptés à des fins de consommation humaine.

CE QUI PEUT ARRIVER	COMMENT LE PRÉVENIR
<ul style="list-style-type: none"> Une exposition aux produits chimiques dans la poussière produite par le ponçage mécanique, le sciage, le meulage et d'autres activités de construction peut s'avérer dangereuse. Les matériaux pulvérisés, tels que la peinture, les solvants, les décapants, les insecticides et les herbicides peuvent contenir des vapeurs et des poisons dangereux. 	<ul style="list-style-type: none"> Travaillez dans un espace doté d'une bonne ventilation croisée. Lisez et respectez les consignes de sécurité indiquées sur l'étiquette ou les fiches de données de sécurité pour les matériaux que vous pulvériserez. Utilisez toujours un équipement de protection accrédité : Équipement de protection des voies respiratoires homologué par NIOSH/OSHA ou masque adéquatement ajusté et conçu pour une utilisation avec votre application particulière.



DANGER : Risque d'éclatement.

Réservoir : Le 26 février 2002, la commission américaine de surveillance des produits de consommation (U.S. Consumer Product Safety Commission) a publié le Communiqué n° 02-108 concernant la sécurité des réservoirs de compresseurs d'air : Les réservoirs récepteurs de compresseurs d'air n'ont pas une durée de vie infinie. La durée de vie du réservoir dépend de divers facteurs, notamment des conditions de fonctionnement, des conditions ambiantes, des installations correctes, des modifications sur place et du niveau d'entretien. L'effet exact de ces facteurs sur la vie du réservoir est difficile à prévoir. Si les procédures d'entretien correct ne sont pas suivies, une corrosion interne de la paroi intérieure du réservoir peut entraîner la rupture brusque du réservoir d'air, permettant ainsi à l'air sous pression de s'échapper soudainement, et poser un risque de blessures aux utilisateurs. Le réservoir de votre compresseur d'air doit être mis hors service à la fin de l'année indiquée sur l'étiquette d'avertissement apposée sur le réservoir.

Les conditions suivantes peuvent entraîner un affaiblissement du réservoir et causer une explosion violente du réservoir :



DANGER : Risque d'éclatement.

CE QUI PEUT ARRIVER	COMMENT LE PRÉVENIR
<ul style="list-style-type: none"> Un manquement à purger correctement l'eau condensée du réservoir d'air cause la rouille et l'amincissement du réservoir en acier. 	<ul style="list-style-type: none"> Purgez le réservoir chaque jour ou après chaque utilisation. Si une fuite apparaît dans le réservoir d'air, remplacez-le immédiatement par un nouveau ou remplacez le compresseur tout entier.
<ul style="list-style-type: none"> Modifications ou tentatives de réparation du réservoir. 	<ul style="list-style-type: none"> Ne percez et ne soudez jamais le réservoir ni aucun de ses accessoires et ne leur apportez jamais de modifications. Ne tentez jamais de réparer un réservoir endommagé ou qui fuit. Remplacez-le par un neuf.
<ul style="list-style-type: none"> Modifications non autorisées apportées à la soupape de sûreté ou tout autre composant qui contrôle la pression du réservoir. 	<ul style="list-style-type: none"> Le réservoir d'air est conçu pour résister à des pressions de fonctionnement précises. N'effectuez jamais de réglages ou de remplacements de pièces pour modifier les pressions de fonctionnement établies en usine.

Accessoires :

CE QUI PEUT ARRIVER	COMMENT LE PRÉVENIR
<ul style="list-style-type: none"> Dépasser la pression nominale des outils pneumatiques, des pistolets pulvérisateurs, des accessoires fonctionnant à l'air, des pneus et autres articles gonflables peut les faire exploser ou se détacher et les projeter, ce qui pourrait entraîner des blessures graves. 	<ul style="list-style-type: none"> Suivez les recommandations du fabricant de l'équipement et ne dépassez jamais la pression nominale maximum autorisée des accessoires. N'utilisez jamais le compresseur d'air pour gonfler les petits objets à basse pression, tels que les jouets d'enfants, les ballons de football, les ballons de basketball, etc.
Pneus :	
CE QUI PEUT ARRIVER	COMMENT LE PRÉVENIR
<ul style="list-style-type: none"> Trop gonfler les pneus peut être cause de blessures graves et de dommages matériels. 	<ul style="list-style-type: none"> Servez-vous d'un manomètre pour pneus pour vérifier la pression des pneus avant chaque utilisation et pendant que vous gonflez les pneus; regardez la paroi latérale du pneu pour connaître la pression de pneu correcte.

AVIS : Les réservoirs, compresseurs d'air et autres équipements similaires peuvent gonfler rapidement les petits pneus. Réglez le régulateur de pression de l'alimentation en air pas plus haut que la pression nominale des pneus. Ajoutez l'air à petites doses et utilisez fréquemment le manomètre pour pneus pour éviter de trop gonfler.



⚠ DANGER : Risques de blessure ou de dommage matériel pendant le déplacement ou l'entreposage.

CE QUI PEUT ARRIVER	COMMENT LE PRÉVENIR
<ul style="list-style-type: none"> L'huile peut fuir ou se déverser et ainsi créer un risque d'incendie ou un risque respiratoire; des blessures graves ou la mort peuvent s'ensuivre. Les fuites d'huile endommagent les tapis, la peinture ou d'autres surfaces des véhicules ou des remorques. 	<ul style="list-style-type: none"> Placez toujours le compresseur d'air sur un petit tapis de protection lors de son transport pour protéger le véhicule contre tout dommage dû à des fuites. Retirez le compresseur d'air du véhicule immédiatement une fois arrivé à destination. Maintenez toujours le compresseur d'air à niveau et ne le couchez jamais sur le côté.



⚠ AVERTISSEMENT : Risque posé par les surfaces brûlantes.

CE QUI PEUT ARRIVER	COMMENT LE PRÉVENIR
<ul style="list-style-type: none"> Tout contact avec du métal exposé, comme la tête du compresseur d'air ou les tubes de sortie, peut entraîner de graves brûlures. 	<ul style="list-style-type: none"> Ne touchez jamais les pièces en métal exposées sur le compresseur d'air pendant ou immédiatement après utilisation. Le compresseur d'air restera chaud pendant plusieurs minutes après son utilisation. N'attrapez rien autour des écrans protecteurs et ne tentez aucun entretien sans avoir laissé à l'appareil le temps de refroidir.



⚠ AVERTISSEMENT : Risques associés aux objets volants.

CE QUI PEUT ARRIVER	COMMENT LE PRÉVENIR
<ul style="list-style-type: none"> Le flux d'air comprimé peut endommager le tissu mou de la peau exposée et peut projeter de la saleté, des éclats, des particules libres et des petits objets à grande vitesse, causant ainsi des blessures corporelles ou dommages matériels. 	<ul style="list-style-type: none"> Portez toujours un équipement de protection accrédité : Dispositif de protection oculaire ANSI Z87.1 (CAN/CSA Z94.3) avec écrans latéraux pendant l'utilisation du compresseur d'air. N'orientez jamais une buse ou un pulvérisateur vers une partie quelconque du corps ou en direction d'autres personnes ou animaux. Éteignez toujours le compresseur d'air et purgez la pression du boyau d'air et du réservoir d'air avant de procéder à l'entretien, de fixer des outils ou des accessoires.



⚠ DANGER : Risque de choc électrique.

CE QUI PEUT ARRIVER	COMMENT LE PRÉVENIR
<ul style="list-style-type: none"> • Votre compresseur d'air est alimenté par l'électricité. Comme tout autre dispositif alimenté par l'électricité, il peut causer un choc électrique s'il n'est pas utilisé correctement. 	<ul style="list-style-type: none"> • N'utilisez jamais le compresseur d'air à l'extérieur quand il pleut ou dans des conditions humides. • N'utilisez jamais le compresseur d'air si les couvercles de protection sont retirés ou endommagés.
<ul style="list-style-type: none"> • Les réparations effectuées par du personnel non qualifié peuvent entraîner de graves blessures, voire la mort par électrocution. 	<ul style="list-style-type: none"> • Tout le câblage électrique ou toute réparation nécessaire sur ce produit doit être réalisé(e) par le personnel d'un centre de service autorisé, conformément aux codes électriques local et national.

⚠ DANGER : Assurez-vous que le circuit électrique auquel le compresseur d'air est connecté offre une mise à la terre appropriée, une tension correcte et une protection adéquate. Le fait de ne pas fournir une mise à la terre électrique adéquate à ce produit peut entraîner de graves blessures, voire la mort par électrocution. Reportez-vous au paragraphe sur la mise à la terre à la section INSTALLATION.



⚠ AVERTISSEMENT : Risques associés aux pièces mobiles.

CE QUI PEUT ARRIVER	COMMENT LE PRÉVENIR
<ul style="list-style-type: none"> • Les pièces mobiles tels que la poulie, le volant et la courroie peuvent causer des blessures graves, si elles entrent en contact avec vous ou vos vêtements. 	<ul style="list-style-type: none"> • N'utilisez jamais le compresseur d'air avec des protections ou couvercles endommagés ou manquants. • Gardez les cheveux, les vêtements et les gants à l'écart des pièces mobiles. • Les vêtements amples, bijoux ou cheveux longs peuvent se prendre dans les pièces mobiles. • Des événements peuvent couvrir des pièces mobiles et il faut les éviter également.
<ul style="list-style-type: none"> • Tenter d'utiliser le compresseur d'air avec des pièces endommagées ou manquantes ou tenter de réparation le compresseur d'air avec les écrans protecteurs retirés peut vous exposer à des pièces en mouvement et à de graves blessures. 	<ul style="list-style-type: none"> • Toute réparation requise sur ce produit doit être effectuée par un centre de service d'usine DeWALT ou un centre de service DeWALT autorisé.



AVERTISSEMENT : Risque d'utilisation non sécuritaire.

CE QUI PEUT ARRIVER	COMMENT LE PRÉVENIR
<ul style="list-style-type: none"> • Une utilisation non sécuritaire de votre compresseur d'air pourrait entraîner des blessures graves, voire la mort, pour vous ou d'autres personnes. 	<ul style="list-style-type: none"> • Veuillez passer en revue et comprendre toutes les instructions et les avertissements figurant dans ce guide. • Familiarisez-vous avec l'utilisation et les commandes du compresseur d'air. • Gardez l'aire d'utilisation exempte de personnes, d'animaux domestiques et d'obstacles. • Gardez les enfants éloignés du compresseur d'air en tout temps. • N'utilisez pas le produit si vous êtes fatigué(e) ou si vous avez consommé de l'alcool ou des drogues. Restez vigilant(e) en tout temps. • Ne portez jamais atteinte aux caractéristiques de sécurité de ce produit. • Équipez l'aire d'utilisation d'un extincteur. • N'utilisez pas la machine avec des pièces manquantes, cassées ou non autorisées. • Ne vous tenez jamais debout sur le compresseur d'air.



AVERTISSEMENT : Risques de blessures résultant du levage.

CE QUI PEUT ARRIVER	COMMENT LE PRÉVENIR
<ul style="list-style-type: none"> • Une blessure grave peut résulter d'une tentative de levage d'un objet trop lourd. 	<ul style="list-style-type: none"> • Le compresseur d'air est trop lourd pour être soulevé par une seule personne. Faites-vous aider par d'autres personnes avant de soulever.



DANGER : Risque associé au bruit.

CE QUI PEUT ARRIVER	COMMENT LE PRÉVENIR
<ul style="list-style-type: none"> • Dans certaines conditions et durées d'utilisation, le bruit émis par ce produit peut entraîner une perte auditive. 	<ul style="list-style-type: none"> • Portez toujours un équipement de protection accrédité : Protection auriculaire conforme à la norme ANSI S12.6 (S3.19).

Consignes de sécurité importantes

LISEZ CE GUIDE D'UTILISATION ET LES CONSIGNES DE SÉCURITÉ AVANT D'UTILISER L'APPAREIL. Comparez les illustrations à l'appareil pour vous familiariser avec l'emplacement des commandes et réglages divers. Conservez ce guide pour une référence ultérieure.

Compresseur d'air

A	Soupape de sûreté
B	Clapet anti-retour
C	Filtre d'entrée d'air de la pompe
D	Bouchon de remplissage de l'huile de la pompe
E	Interrupteur Auto(1)/Arrêt(0)
F	Bouchon de vidange de l'huile de la pompe
G	Manomètre du réservoir
H	Sortie d'air
I	Robinet de purge du réservoir

Fig. 1

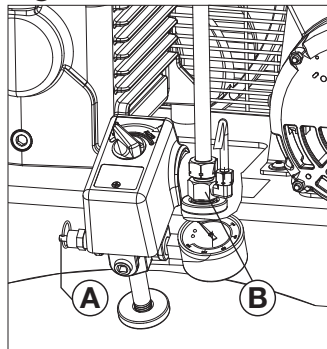
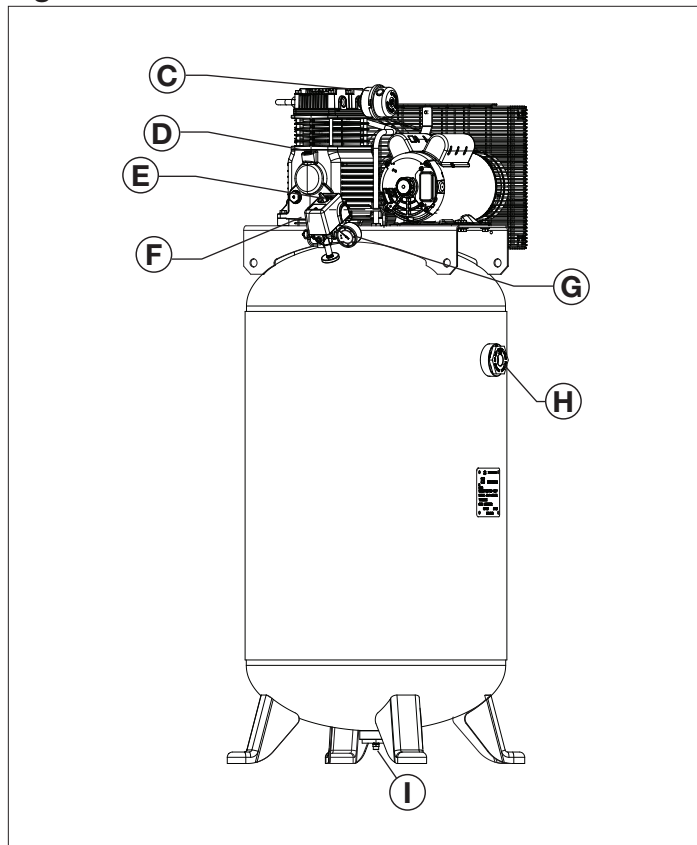


Fig. 2



Caractéristiques

MODÈLE	DXCM805
POIDS	Environ 117,5 kg (259 lb)
HAUTEUR	159,26 cm
LARGEUR	64,52 cm
CAPACITÉ DU RÉSERVOIR	302,9 litres (80 gallons)
Pression de coupure approx.,	175 LB/PO ²
ARRIVÉE D'AIR	0,48 m ³ /min à 40 lb/po ² 0,41 m ³ /min à 90 lb/po ²
DURÉE DE REMPLISSAGE DU RÉSERVOIR	7.5 minutes
ENTRÉE ÉLECTRIQUE	240 V, 60 Hz, c.a. monophasé seulement, 20 ampères.
SPÉCIFICATION MINIMUM DU CIRCUIT DE DÉRIVATION	30 A
TYPE DE FUSIBLE	Temporisé

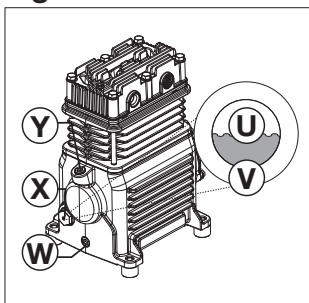
Caractéristiques de la pompe

2 cylindres
Un seul étage
Lubrifiée à l'huile
Carter du moteur en fonte, cylindre, tête en aluminium
Poids : 16,2 kg (35,7 lb)
Capacité d'huile : 946 ml (32 oz liq.)

Pièce et description de la pompe (Fig. 3)

U	Plein
V	Ajouter
W	Bouchon de vidange de l'huile
X	Regard en verre du niveau d'huile
Y	Bouchon de remplissage de l'huile

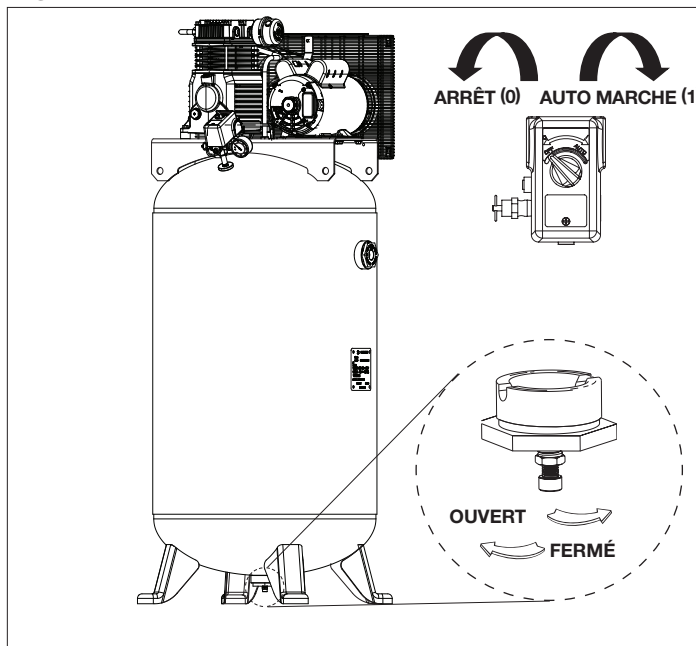
Fig. 3



Surfaces brûlantes (Fig. 4)

J	Cylindre et tête du compresseur d'air
K	Tuyau de sortie
L	Carter de la pompe

Fig. 5

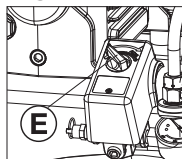


Caractéristiques

INTERRUPTEUR AUTO (1)/ARRÊT (0)

Mettez cet interrupteur (E) dans la position «AUTO (1)» pour fournir une alimentation électrique continue au pressostat et sur la position «OFF (ARRÊT) (0)» pour couper l'alimentation électrique à la fin de chaque utilisation.

Fig. 6



AVIS : Assurez-vous que l'interrupteur (E) soit à la position OFF (ARRÊT) (0) et que l'appareil est débranché avant d'enlever ou de remplacer le couvercle du pressostat.

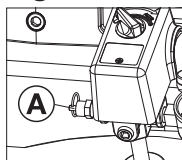
PRESSOSTAT

Le pressostat (non illustré) démarre automatiquement le moteur quand la pression dans le réservoir d'air tombe en dessous de la pression de marche en compression préétablie en usine. Il arrête le moteur quand la pression du réservoir atteint la pression de coupure préétablie en usine.

SOUPAPE DE SÛRETÉ

Cette soupape (A) est conçue pour prévenir les défaillances du système en relâchant la pression du système lorsque l'air comprimé atteint un niveau prédéterminé. La soupape est pré-réglée par le fabricant et ne doit pas être retirée ou modifiée de quelque manière que ce soit.

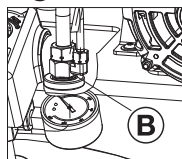
Fig. 7



CLAPET ANTI-RETOUR

Quand le compresseur d'air fonctionne, le clapet anti-retour (B) est ouvert ce qui permet à l'air comprimé d'entrer dans le réservoir. Quand le compresseur d'air parvient à la pression de coupure, le clapet anti-retour se ferme, ce qui permet de maintenir la pression de l'air dans le réservoir.

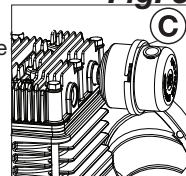
Fig. 8



FILTRE D'ENTRÉE D'AIR

Le filtre (C) est conçu pour purifier l'air pénétrant dans la pompe. Pour assurer que la pompe reçoit une alimentation en air propre de manière continue, le filtre doit toujours être propre et la prise d'air du filtre doit être exempte d'obstructions.

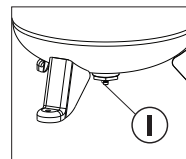
Fig. 9



ROBINET DE PURGE DU RÉSERVOIR

Le robinet de purge (I) se trouve à la base du réservoir et sert à éliminer la condensation à la fin de chaque utilisation. Reportez-vous à **Purge du réservoir** sous **Entretien**.

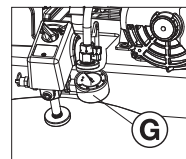
Fig. 10



MANOMÈTRE DU RÉSERVOIR

Le manomètre du réservoir (G) indique la pression de l'air stocké dans le réservoir.

Fig. 11



RÉGULATEUR

(Vendu séparément, non illustré) Un régulateur de pression d'air ou un transformateur d'air séparé qui combine les fonctions de régulation de l'air ou d'élimination de l'humidité et de la saleté est recommandé pour la plupart des applications. Reportez-vous au paragraphe **Système de distribution d'air** sous **Installation**.

▲ DANGER : Risque d'éclatement. Une pression d'air trop élevée peut créer un risque dangereux d'éclatement. Vérifiez la pression nominale maximale du fabricant pour les outils pneumatiques et les accessoires. La pression de sortie ne doit jamais dépasser la pression nominale maximale des outils ou accessoires.

POMPE

La pompe comprime l'air dans le réservoir. Aucun air comprimé n'est disponible tant que la pompe n'a pas augmenté la pression de l'air dans le réservoir au-dessus de la pression requise à la sortie d'air.

DISPOSITIF DE PROTECTION DU MOTEUR CONTRE LES SURCHARGES

Le moteur est doté d'une protection contre les surcharges thermiques. Si le moteur surchauffe pour une raison quelconque, la protection contre la surcharge éteindra le moteur. Il faut laisser refroidir le moteur avant de pouvoir le redémarrer.

Pour le redémarrer :

1. Réglez l'interrupteur Auto/Arrêt en position OFF (ARRÊT) (0) et débranchez l'appareil.
2. Laissez le moteur refroidir.
3. Appuyez sur le bouton rouge de réinitialisation (T) situé sur le moteur.
4. Branchez le cordon d'alimentation dans la prise de courant correcte du circuit de dérivation.
5. Mettez l'interrupteur Auto/Arrêt en position AUTO (1).

Fig. 12

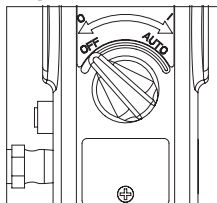


Fig. 13

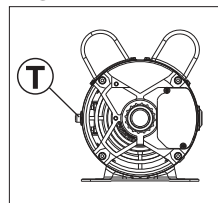
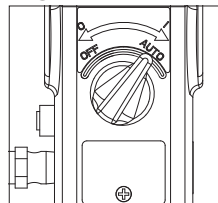


Fig. 14



Installation

Déballiez le compresseur d'air. Vérifiez que l'appareil n'est pas endommagé. Si l'appareil a été endommagé en cours de transport, veuillez communiquer avec le transporteur pour présenter une demande en dommages-intérêts. Faites-le immédiatement car il y a des limites de temps pour présenter une demande en dommages-intérêts.

L'emballage devrait contenir

Description	Quantité
Compresseur d'air	1
Guide d'utilisation	1

Vérifiez le numéro de série du compresseur d'air pour vous assurer que vous avez bien reçu le modèle commandé et qu'il possède la pression nominale requise pour l'utilisation prévue.

INSTALLATION DES BOYAUX

⚠️ AVERTISSEMENT : *Risque d'utilisation non sécuritaire. Saisissez fermement d'une main le boyau lorsque vous l'installez ou le débranchez pour l'empêcher de fouetter.*

1. Assurez-vous que le manomètre de régulation indique un PSI de 0 (0 kPa).
2. Appliquez le ruban d'étanchéité sur les filets du boyau.
3. Assemblez le boyau à la sortie d'air (H). IMPORTANT : N'attachez pas les séparateurs directement sur la sortie d'air (H) (Fig 2).

AVIS : L'assemblage des raccords à connexion rapide à la sortie d'air et les bouchons à connexion rapide aux extrémités des boyaux facilitent et simplifient la connexion et la déconnexion des boyaux. Les raccords à connexion rapide et les bouchons à connexion rapide peuvent être achetés auprès d'un marchand local ou d'un centre de service autorisé.

DÉBRANCHEMENT DES BOYAUX

▲ AVERTISSEMENT : Risque d'utilisation non sécuritaire. Saisissez fermement d'une main le boyau lorsque vous l'installez ou le débranchez pour l'empêcher de fouetter.

1. Assurez-vous que le manomètre de régulation indique un PSI de 0 (0 kPa).
2. Enlevez le boyau de la sortie d'air (H) (Fig 2).

LUBRIFICATION ET HUILE DU COMPRESSEUR D'AIR

La pompe du compresseur d'air a été remplie d'huile chez le fabricant. Vérifiez le niveau d'huile dans la pompe avant d'utiliser l'appareil. Reportez-vous à **Huile de la pompe du compresseur d'air** sous **Entretien**.

COMPATIBILITÉ

Les outils et accessoires pneumatiques qui fonctionnent avec le compresseur d'air doivent être compatibles avec les produits à base de pétrole. Si vous soupçonnez que des outils ou des accessoires ne sont pas compatibles avec les produits pétroliers, il est nécessaire d'installer un filtre dans la conduite d'air pour éliminer l'humidité et les vapeurs d'huile dans l'air comprimé.

AVIS : Utilisez toujours un filtre dans la conduite d'air pour éliminer l'humidité et la vapeur d'huile lorsque vous pulvériser de la peinture.

EMPLACEMENT

- Installez le compresseur d'air dans un espace propre, sec et bien aéré.
- Installez le compresseur d'air à au moins 30,5 cm (12 po) de tout mur ou toute autre obstruction qui gênerait le flux d'air.
- Installez le compresseur d'air aussi près que possible d'une source d'alimentation électrique pour éviter d'avoir à utiliser des longueurs importantes de fil électrique.

AVIS : De grandes longueurs de fil électrique pourraient résulter en une perte de puissance arrivant au moteur.

- Le filtre à air doit être conservé exempt de toute obstruction qui pourrait réduire le débit d'air arrivant au compresseur d'air.

ESPACES HUMIDES

Dans les espaces humides, de l'humidité peut se former dans la pompe et produire des dépôts dans l'huile, entraînant une usure prématurée des pièces. Une humidité excessive est particulièrement susceptible de se produire si l'appareil est situé dans un espace non chauffé soumis à de grands changements de température. Deux signes d'humidité excessive sont la condensation externe sur la pompe lorsqu'elle refroidit et un aspect « laiteux » de l'huile du compresseur d'air. Il est possible d'empêcher la formation d'humidité dans la pompe en augmentant la ventilation ou en faisant fonctionner la pompe pendant de plus longs intervalles.

ANCRAGE DU COMPRESSEUR D'AIR

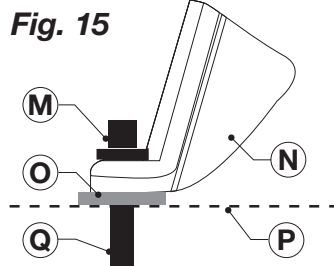
▲ DANGER : Risque d'éclatement. Des vibrations excessives peuvent affaiblir le réservoir et provoquer une explosion. Le compresseur d'air doit être correctement monté.

Le compresseur d'air DOIT être boulonné sur une surface plane et ferme. Utilisez des tire-fond de 9,5 mm, des amortisseurs de vibrations et des chevilles d'ancrage. Si vous avez besoin d'aide pour ancrer le compresseur d'air, faites appel à un entrepreneur accrédité.

1. Installez le compresseur d'air sur une surface plane et ferme. Assurez-vous que la surface est en bon état sans aucun dommage ou fissure.
2. Marquez la surface en utilisant les trous dans les pieds du compresseur d'air comme guide.

3. Percez les trous dans la surface pour les chevilles d'ancrage. Installez les chevilles d'ancrage.
4. Alignez les trous dans la surface avec les trous dans les pieds du compresseur d'air.
5. Placez les amortisseurs de vibrations (non fournis) entre le sol et les pieds du compresseur d'air, consultez la **Fig 15**. Au besoin, utilisez les cales pour mettre l'appareil de niveau.
6. Enfilez les tire-fond de 9,5 mm dans les pieds du compresseur d'air, les amortisseurs de vibrations et les chevilles d'ancrage.
- 7.M Appliquez aux tire-fond de 9,5 mm un couple de 9,5 à 13,5 N m (7 à 10 pi-lb)

Amortisseur de vibrations (non fourni) Illustration	
	Tire-fond de 9,5 mm (non fourni)
N	Pied du réservoir
O	Amortisseur de vibrations (non fourni)
P	Ligne de surface
Q	Cheville d'ancrage pour béton (non fournie)



CÂBLAGE ÉLECTRIQUE

AVERTISSEMENT : Une installation électrique incorrecte de ce produit peut en annuler la garantie ainsi que votre assurance incendie. Faites faire le câblage par un professionnel qualifié tel qu'un électricien accrédité qui connaît bien le code national de l'électricité ainsi que tout code local de l'électricité en vigueur.

⚠ DANGER : Risque de choc électrique. Une mise à la terre incorrecte peut entraîner des chocs électriques. Le câblage doit être effectué par un électricien qualifié.

Un électricien qualifié doit connaître ce qui suit avant d'effectuer le câblage :

1. L'intensité nominale de la boîte électrique est adéquate. Reportez-vous à **Caractéristiques**, pour cette information.
2. La ligne d'alimentation électrique a les mêmes caractéristiques électriques (tension, cycle, phase) que le moteur. Consultez la plaque signalétique du moteur pour obtenir cette information.

AVIS : Le câblage utilisé doit être homologué pour la tension indiquée sur la plaque signalétique du moteur, plus ou moins 10 %. Consultez les codes locaux pour les calibres de fil recommandés, les calibres de fil corrects et la longueur de fil maximum. Des fils de trop petit calibre causeront un débit en ampères trop élevé et une surchauffe du moteur.

AVIS : Un disjoncteur est recommandé. Si le compresseur d'air est connecté à un circuit protégé par un fusible, utilisez uniquement des fusibles temporisés.

⚠ DANGER : Risque de choc électrique. Le câblage électrique doit être situé loin des surfaces brûlantes telles que collecteurs, tubes de sortie, têtes ou cylindres du compresseur d'air.

INSTRUCTIONS DE MISE À LA TERRE

⚠ DANGER : Risque de choc électrique. En cas de court-circuit, la mise à la terre réduit le risque de choc électrique en fournissant un fil d'échappement au courant électrique. Ce compresseur d'air doit être correctement mis à la terre.

Ce produit doit être connecté à un système de câblage métallique permanent mis à la terre ou une borne de mise à la terre de l'équipement ou un conducteur de sortie sur le produit.

⚠ DANGER : Risque de choc électrique. Une mise à la terre incorrecte peut entraîner des chocs électriques.

TENSION ET PROTECTION DU CIRCUIT

Veillez vous reporter à **Tension** et **Spécifications minimum du circuit de dérivation** sous la section **Caractéristiques**.

- La tension d'alimentation au circuit doit être conforme au code électrique national.
- Le circuit n'est pas utilisé pour alimenter tout autre besoin électrique.

INTERRUPTEUR GÉNÉRAL DE L'ALIMENTATION PRINCIPALE

Installez un interrupteur général de l'alimentation principale sur la ligne allant du panneau au compresseur d'air. L'interrupteur général de l'alimentation principale doit être situé à proximité du compresseur d'air, pour faciliter l'utilisation et assurer la sécurité. Quand il est ÉTEINT, l'interrupteur général de l'alimentation principale coupe toute l'alimentation électrique au compresseur d'air. Quand il est ALLUMÉ, le compresseur d'air se mettra en marche et s'arrêtera automatiquement, en étant contrôlé par le pressostat.

SYSTÈME DE DISTRIBUTION D'AIR

⚠ DANGER : Risque d'éclatement. N'utilisez pas de tuyaux polymères non certifiés pour la sécurité et non marqués pour l'utilisation avec de l'air comprimé. Les tuyaux en plastique ou en PVC conventionnels ne sont pas conçus pour être utilisés avec de l'air comprimé, quelle que soit la pression nominale indiquée.

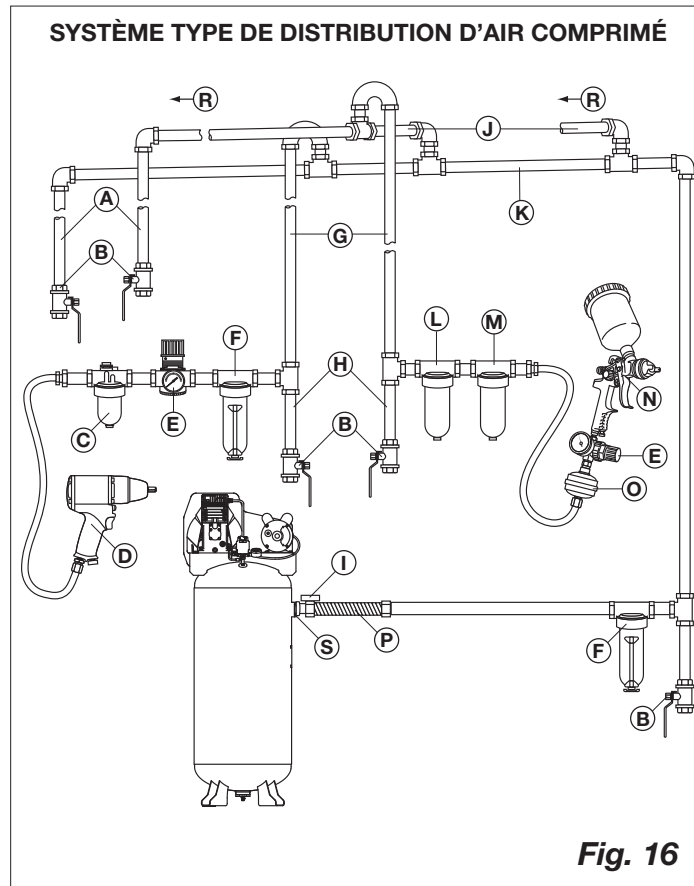
AVIS : L'air comprimé issu de compresseurs d'air lubrifiés à l'huile contiendra de l'eau de condensation et un brouillard d'huile. Plusieurs drains, pièges et filtres seront nécessaires pour fournir de l'air sans eau (y compris les aérosols) ni huile à l'équipement de pulvérisation, aux outils pneumatiques et aux accessoires nécessitant de l'air filtré. Lisez toujours le mode d'emploi pour les outils pneumatiques et les accessoires en cours d'utilisation.

- Utilisez une conduite qui a le même diamètre que la sortie du réservoir d'air. Des conduites trop étroites limiteront le débit d'air.
- Si la conduite mesure plus de 30,5 m (100 pi) de long, utilisez une conduite de la taille suivante.
- Enterrez les canalisations souterraines en dessous de la profondeur de gélification et évitez les poches où la condensation peut s'accumuler et geler. Appliquez une pression avant de recouvrir les canalisations souterraines pour vérifier qu'il n'y a aucune fuite au niveau des joints.
- Il est recommandé d'installer un raccord souple entre le robinet à soupape/bouche d'évacuation d'air et la conduite de distribution de l'air principale pour tenir compte de la vibration.
- Il est recommandé d'utiliser un régulateur séparé pour contrôler la pression de l'air. La pression d'air du réservoir est généralement trop élevée pour les outils individuels fonctionnant à l'air.
- N'installez AUCUN appareil de graissage entre le réservoir et tout équipement de pulvérisation, outil pneumatique ou accessoire nécessitant de l'air filtré exempt d'huile.
- Purgez tous les pièges, filtres et collecteurs de saleté tous les jours.

Pièce	Description
A	Canalisations de purge
B	Robinet de purge
C	Lubrificateur
D	Outil pneumatique
E	Régulateur
F	Filtre/piège à humidité
G	Conduites d'utilisation d'air
H	Collecteurs de saleté
I	Vanne d'évacuation d'air
J	Pente des conduites d'alimentation selon le débit d'air
K	Conduites de distribution d'air principales
L	Filtre de 5 microns
M	Filtre de 0,01 micron
N	Pistolet de pulvérisation
O	Adaptateur à boule
P	Raccord flexible
R	Débit d'air
S	Sortie d'air

AVIS : Penchez la conduite dans la direction du débit d'air. Le condensat d'eau s'écoule le long du fond de la conduite jusqu'aux canalisations de purge, l'empêchant ainsi de pénétrer dans les conduites d'alimentation.

AVIS : Pour obtenir le meilleur rendement – La distance entre le compresseur et le piège à humidité doit être aussi grande que possible.



Fonctionnement

COMMENT ARRÊTER :

Réglez l'interrupteur Auto/Arrêt en position «OFF (ARRÊT) (0)» Fig 17.

AVANT DE COMMENCER

⚠️ AVERTISSEMENT : *N'utilisez pas cet appareil avant d'avoir lu ce guide, pour connaître les consignes de sécurité, d'utilisation et d'entretien.*

Pour un fonctionnement correct de votre compresseur d'air, il est recommandé de maintenir un cycle de service moyen de 50 %; à savoir le compresseur d'air ne devrait pas fonctionner plus de 30 minutes par période de 60 minutes.

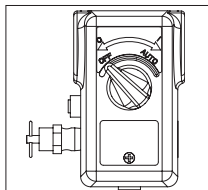
PROCÉDURE DE RODAGE

AVIS : Risque de dommages matériels. Manquer de suivre à la lettre les consignes de rodage ci-dessous peut causer des dommages matériels graves.

Cette procédure est requise avant de mettre en service le compresseur d'air et si le clapet anti-retour ou la pompe entière du compresseur ont été remplacés.

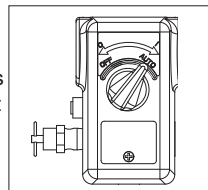
1. Assurez-vous que l'interrupteur Auto/Arrêt est en position «OFF (ARRÊT) (0)».
2. Vérifiez le niveau d'huile dans la pompe. Reportez-vous au paragraphe **Vérification du niveau d'huile**, sous **Entretien** pour les instructions.
3. Revérifiez tout le câblage. Assurez-vous que tous les fils sont solidement et sécuritairement raccordés au niveau de toutes les connexions de bornes. Vérifiez que tous les contacts se déplacent librement et ne sont pas bouchés.
4. Ouvrez le robinet de purge complètement dans le sens horaire pour laisser l'air s'échapper et empêcher l'air de monter en pression dans le réservoir pendant la période de rodage.
5. Mettez l'interrupteur Auto/Arrêt en position

Fig. 17



«AUTO (1)», Fig 18. Le compresseur d'air démarre.

Fig. 18



6. Faites fonctionner le compresseur d'air pendant 30 minutes. Vérifiez que le robinet de purge et toutes les conduites d'air sont ouverts de sorte que la montée en pression de l'air soit minimale dans le réservoir.

AVIS : Au bout d'environ 30 minutes, si l'appareil ne fonctionne pas correctement, ÉTEIGNEZ-LE IMMÉDIATEMENT et communiquez avec le **Service aux produits au : 1 888 895-4549**.

7. Inspectez tous les raccords des conduites d'air et toutes les connexions/la tuyauterie à la recherche de fuites d'air en appliquant une solution savonneuse. Corrigez au besoin.

AVIS : Des fuites mineures peuvent entraîner un surmenage du compresseur d'air, et résulter dans des pannes prématurées ou un rendement inadéquat.

8. Inspectez pour rechercher un excès de vibration. Rerégalez ou calez les pieds du compresseur d'air au besoin.
9. Au bout de 30 minutes, tournez l'interrupteur Auto/Arrêt est en position «OFF (ARRÊT) (0)».
10. Fermez le robinet de purge.
11. Mettez l'interrupteur Auto/Arrêt en position «AUTO (1)». Le réservoir se remplira jusqu'à atteindre la pression de «coupure» et le moteur s'arrêtera.

Le compresseur d'air est désormais prêt à être utilisé.

AVANT CHAQUE DÉMARRAGE

1. Vérifiez chaque jour le regard en verre pour vous assurer que le niveau d'huile dans la pompe est au niveau requis.
2. Mettez l'interrupteur Auto/Arrêt en position «OFF (ARRÊT) (0)».
3. Fermez le robinet de purge.
4. Inspectez visuellement les conduites d'air et les raccords à la recherche de fuites.
5. Vérifiez la soupape de sûreté. Reportez-vous à la section **Vérification de la soupape de sûreté** sous **Entretien**.
6. Fixez le boyau et les accessoires.

⚠️ AVERTISSEMENT : *Risque d'utilisation non sécuritaire. Saisissez fermement d'une main le boyau d'air lorsque vous l'installez ou le débranchez pour l'empêcher de fouetter.*

⚠️ AVERTISSEMENT : *Risque d'utilisation non sécuritaire. N'utilisez pas d'accessoires endommagés ou usés.*

AVIS : Le boyau ou l'accessoire nécessiteront une prise à connexion rapide si la sortie d'air est équipée d'une douille à connexion rapide.

AVIS : Un régulateur DOIT être utilisé si la pression d'air requise pour l'accessoire est inférieure à la pression d'air maximale fournie par le compresseur d'air.

⚠️ DANGER : *Risque d'éclatement. Une pression d'air trop élevée peut créer un risque dangereux d'éclatement. Vérifiez la pression nominale maximale du fabricant pour les outils pneumatiques et les accessoires. La pression de sortie du régulateur ne doit jamais dépasser la pression nominale maximale.*

⚠️ ATTENTION : *Risque d'utilisation non sécuritaire. L'air comprimé de l'appareil peut contenir de l'eau de condensation et un brouillard d'huile. Ne pulvérisez pas de*

l'air non filtré sur un objet qui pourrait être endommagé par l'humidité. Certains outils pneumatiques et certains accessoires peuvent requérir de l'air filtré. Lisez toujours le mode d'emploi pour les outils pneumatiques et les accessoires.

COMMENT DÉMARRER

1. Mettez l'interrupteur Auto/Arrêt sur «Auto (1)» et laissez la pression monter dans le réservoir. Le moteur s'arrêtera lorsque la pression dans le réservoir atteint la pression de «coupure».
2. Lorsque le réservoir atteint la pression de «coupure» ouvrez la vanne d'évacuation d'air.

AVIS : Lors de l'utilisation du régulateur et des autres accessoires, consultez les instructions des fabricants.

⚠️ DANGER : *Risque d'éclatement. Si vous remarquez un bruit ou une vibration inhabituel(le), arrêtez immédiatement le compresseur d'air et faites-le inspecter par un technicien formé.*

Le compresseur d'air est désormais prêt à être utilisé.

ARRÊT (Fig 5)

1. Mettez l'interrupteur Auto/Arrêt en position OFF (ARRÊT) (0).

AVIS : Si vous avez terminé d'utiliser le compresseur, suivez les étapes 2 à 5.

2. Purgez le réservoir, reportez-vous à **Purge du réservoir** sous **Entretien**. Assurez-vous que le manomètre du réservoir d'air indique 0 lb/po² (0 kPa).

ARRÊT (suite)

⚠️ AVERTISSEMENT : Risque d'utilisation non sécuritaire. Saisissez fermement d'une main le boyau d'air lorsque vous l'installez ou le débranchez pour l'empêcher de fouetter.

3. Retirez le boyau et les accessoires.

⚠️ DANGER : Risque d'éclatement. Purgez le réservoir chaque jour. De l'eau condensera dans le réservoir. Si elle n'est pas éliminée, l'eau corrodera et affaiblira le réservoir d'air créant ainsi un risque de rupture du réservoir.

4. Laissez le compresseur d'air refroidir.

5. Essuyez le compresseur d'air pour le nettoyer et rangez-le dans un espace sécuritaire à l'abri du gel.

Entretien

Pour assurer un fonctionnement efficace et une durée de vie plus longue du compresseur d'air, il faut établir et respecter un calendrier d'entretien régulier. Le calendrier d'entretien régulier ci-après est conçu pour un compresseur d'air fonctionnant quotidiennement dans un environnement de travail normal. Si nécessaire, le calendrier doit être modifié pour s'adapter aux conditions d'utilisation du compresseur d'air. Les modifications dépendront des heures d'utilisation et de l'environnement de travail. Un compresseur d'air fonctionnant dans un environnement extrêmement sale et hostile nécessitera une fréquence accrue de toutes les vérifications d'entretien.

Calendrier d'entretien					
Procédure	Quotidien	Hebdomadaire	Mensuel	1 an ou toutes les 100 heures	Cf. l'avertissement sur le réservoir
Vérifiez la soupape de sûreté	√				
Inspectez le filtre à air		√+			
Purgez le réservoir	√				
Vérifiez le niveau d'huile dans la pompe	√				
Changez l'huile dans la pompe				√**	
Recherchez des fuites d'huile	√				
Inspectez la courroie de transmission	√				
Vérifiez la tension de la courroie de transmission			√		
Vérifiez l'alignement de la poulie/du volant				√	
Vérifiez qu'il n'existe aucun(e) bruit/vibration inhabituel(le)	√				
Recherchez les fuites d'air	√*				
Nettoyer l'extérieur du compresseur d'air		√			
Mettez le réservoir hors service					√++

* Pour vérifier qu'il n'y a pas de fuite d'air, appliquez une solution d'eau savonneuse autour des joints. Pendant que le compresseur d'air pompe pour atteindre la pression de coupure et une fois que la pression est coupée, recherchez la formation de bulles d'air.

** L'huile de la pompe doit être remplacée après les 20 premières heures de fonctionnement. Ensuite, lorsque vous utilisez une huile pour compresseur d'air entièrement synthétique et non détergente, remplacez l'huile toutes les 100 heures d'utilisation ou une fois par an, selon la première de ces éventualités.

+ Effectuez plus fréquemment dans des conditions poussiéreuses ou humides.

++ Pour de plus amples renseignements, composez le 1 888 895-4549.

⚠️ AVERTISSEMENT : Risque d'utilisation non sécuritaire. L'appareil fonctionne automatiquement lorsque l'alimentation électrique est en marche. Lorsque vous effectuez l'entretien, vous pourriez être exposé(e) à des sources de tension, l'air comprimé ou des pièces mobiles. Des blessures personnelles peuvent résulter. Avant d'effectuer un entretien ou une réparation quelconque, débranchez la source d'alimentation électrique du compresseur d'air et purgez toute la pression d'air.

VÉRIFICATION DE LA SOUPAPE DE SÛRETÉ

⚠️ AVERTISSEMENT : Surfaces brûlantes. Risque de brûlure. Les tubes, la tête de pompe et les pièces avoisinantes sont brûlantes et il ne faut pas les toucher (consultez la section Surfaces brûlantes avec illustrations dans la Fig. 4). Laissez le compresseur d'air refroidir avant d'en faire l'entretien ou de le réparer.

⚠️ DANGER : Risque d'éclatement. Si la soupape de sûreté ne fonctionne pas correctement, une surpression peut se produire et causer une rupture ou une explosion du réservoir.

⚠️ AVERTISSEMENT : Risques associés aux objets volants. Portez toujours un équipement de protection accrédité : Dispositif de protection oculaire ANSI Z87.1 (CAN/CSA Z94.3) avec écrans latéraux.

⚠️ AVERTISSEMENT : Risque associé au bruit. Utilisez des protections auriculaires (ANSI S12.6 (S3.19)) car l'écoulement d'air émet un bruit fort pendant la purge.

Avant de démarrer le compresseur, tirez sur l'anneau de la soupape de sûreté (A) pour vous assurer qu'elle fonctionne sans entrave. Si la soupape est coincée ou ne fonctionne pas en douceur, il faut la remplacer par le même type de soupape.

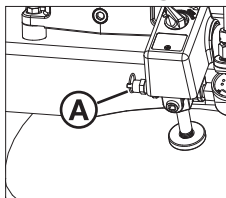


Fig. 19

VÉRIFICATION DU FILTRE À AIR

⚠️ AVERTISSEMENT : Surfaces brûlantes. Risque de brûlure. Les tubes, la tête de pompe et les pièces avoisinantes sont brûlantes et il ne faut pas les toucher (consultez la section Surfaces brûlantes avec illustrations dans la Fig. 4). Laissez le compresseur d'air refroidir avant d'en faire l'entretien ou de le réparer.

Un filtre à air sale ne permettra pas au compresseur à air de fonctionner à plein rendement. Maintenez le filtre à air propre en permanence.

1. Assurez-vous que l'interrupteur Auto/Arrêt est en position OFF (ARRÊT) (0).
2. Laissez l'appareil refroidir.
3. Libérez le couvercle du filtre à air pour le retirer (S).
4. Vérifiez l'élément filtrant. S'il est sale, soufflez de l'air comprimé dans l'élément filtrant pendant 10 à 15 secondes ou remplacez-le au besoin. Si le filtre est rempli de peinture, remplacez-le.
5. Placez l'élément filtrant dans le boîtier et rattachiez le couvercle du filtre à air.

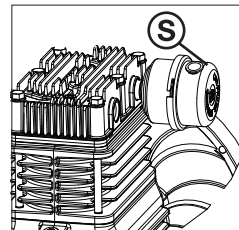


Fig. 20

⚠️ ATTENTION : Risque d'utilisation non sécuritaire. N'utilisez pas sans filtre à air.

PURGE du RÉSERVOIR (Fig. 5)

⚠️ AVERTISSEMENT : Risque d'utilisation non sécuritaire. Les réservoirs contiennent de l'air à haute pression. Gardez le visage et les autres parties du corps éloignés de la sortie de purge. Utilisez des protections oculaires [ANSI Z87.1 (CAN/ACN Z94.3)] lorsque vous purgez car des débris peuvent être projetés dans votre visage.

⚠️ AVERTISSEMENT : Risque associé au bruit. Utilisez des protections auriculaires (ANSI S12.6 (S3.19)) car l'écoulement d'air émet un bruit fort pendant la purge.

AVIS : Tous les systèmes d'air comprimé génèrent une condensation qui s'accumule dans tout point de purge (par exemple, réservoirs, filtres, post-refroidisseurs, séchoirs). Ce condensat contient de l'huile de graissage et/ou des substances qui peuvent être sujettes à des réglementations et par conséquent il doit être éliminé conformément aux réglementations et aux législations locales, régionales, provinciales et nationales.

1. Réglez l'interrupteur Auto/Arrêt en position «OFF (ARRÊT) (0)».

2. Tirez sur l'anneau de la soupape de sûreté pour purger l'air du réservoir jusqu'à ce que la pression du réservoir atteigne environ 20 lb/po². Relâchez l'anneau de la soupape de sûreté.
3. Purgez l'eau du réservoir d'air en ouvrant le robinet de purge (dans le sens horaire) au fond du réservoir.

⚠DANGER : Risque d'éclatement. De l'eau condensera dans le réservoir d'air. Si elle n'est pas éliminée, l'eau corrodera et affaiblira le réservoir d'air créant ainsi un risque de rupture du réservoir.

AVIS : Risque de dommages matériels. L'eau purgée du réservoir d'air peut contenir de l'huile et de la rouille qui peuvent causer des taches.

4. Une fois que toute l'eau a été éliminée, fermez le robinet de purge (dans le sens antihoraire). Le compresseur d'air peut maintenant être entreposé.

AVIS : Si le robinet de purge est bouché, relâchez toute la pression de l'air. Le robinet peut alors être retiré, nettoyé puis réinstallé.

HUILE DE LA POMPE DU COMPRESSEUR D'AIR (FIG. 3)

AVIS : Risque de dommages matériels. Utilisez de l'huile pour compresseur d'air uniquement. Les huiles pour moteur d'automobile multigrades telles que 10W30 ne doivent pas être utilisées avec les compresseurs d'air. Elles laissent des dépôts de carbone sur des composants essentiels et ainsi réduisent le rendement et la durée de vie du compresseur d'air.

AVIS : Utilisez une huile pour compresseur d'air entièrement synthétique et non détergente.

AVIS : La capacité en huile du carter du moteur est d'environ 946 ml (32 onces liquides).

VÉRIFICATION DU NIVEAU D'HUILE

1. Le niveau d'huile devrait se situer au milieu du regard en verre (X).

2. Si nécessaire, retirez le bouchon de remplissage de l'huile (Y) et rajoutez lentement de l'huile jusqu'à ce que le niveau atteigne le milieu du regard en verre.

VIDANGE D'HUILE

⚠AVERTISSEMENT : *Purger le réservoir pour relâcher la pression d'air avant de retirer le bouchon de remplissage d'huile ou le bouchon de vidange de l'huile.*

1. Retirez le bouchon de remplissage d'huile (Y).
2. Retirez le bouchon de vidange d'huile (W) et vidangez l'huile dans un récipient approprié.
3. Remettez le bouchon de vidange d'huile (W) en place et serrez-le bien.
4. Ajoutez lentement l'huile pour compresseur jusqu'à ce que le niveau d'huile atteigne le milieu du regard en verre (X).

AVIS : Lors du remplissage du carter de moteur, l'huile coule très lentement dans la pompe. Si l'huile est ajoutée trop vite, elle débordera et semblera avoir atteint le plein.

⚠ATTENTION : *Remplir d'un excès d'huile provoquera une défaillance prématurée de la pompe. Ne remplissez pas trop.*

5. Remettez le bouchon de remplissage de l'huile (Y) en place et serrez-le bien.

REMPLACEMENT DE LA COURROIE

⚠AVERTISSEMENT : *Cet appareil démarre automatiquement. Éteignez et débranchez TOUJOURS le compresseur d'air et purgez toute la pression du système avant d'effectuer l'entretien ou la réparation du compresseur, ainsi que quand le compresseur d'air n'est pas utilisé. N'utilisez pas l'appareil si les écrans de protection ou le protège-courroie ont été retirés. Des blessures graves pourraient résulter d'un contact avec les pièces mobiles. Surfaces brûlantes. Risque de brûlure. La tête de pompe et les pièces avoisinantes sont brûlantes et il ne faut pas les toucher (consultez la section Surfaces brûlantes avec illustrations dans la Fig. 4). Laissez le compresseur d'air refroidir avant d'en faire l'entretien ou de le réparer.*

1. Mettez l'interrupteur Auto/Arrêt en position «OFF (ARRÊT) (0)»,

débranchez l'appareil et relâchez toute la pression d'air du réservoir.

- Retirez le protège-courroie extérieur (Z).
- Marquez la position du moteur sur la selle.
- Desserrez les vis de montage du moteur et glissez le moteur vers la pompe du compresseur d'air.
- Retirez la courroie et remplacez-la par une nouvelle.
- Reportez-vous à Réglage de la tension de la courroie avant de serrer les vis de montage du moteur.

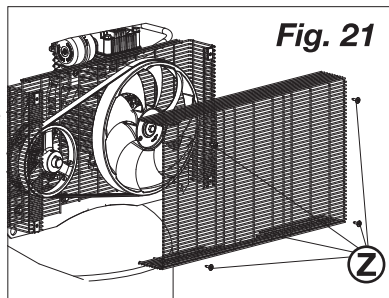


Fig. 21

RÉGLAGE DE LA TENSION DE LA COURROIE

- Glissez le moteur dans sa position originale, alignez le moteur avec la marque faite auparavant sur la selle.
- Serrez les deux vis externes de montage du moteur suffisamment pour maintenir le moteur en place afin de vérifier l'alignement de la poulie et du volant.
- La courroie doit dévier de 6,5 mm (1/4 po) à mi-chemin entre la poulie et le volant lorsqu'un poids de 4,5 kg (10 lb) est appliqué à ce point à mi-chemin.

- Quand la tension correcte de la courroie est obtenue, serrez les vis de montage du moteur. Appliquez un couple de 27,1 à 33,9 N m (20 à 25 pi-lb)

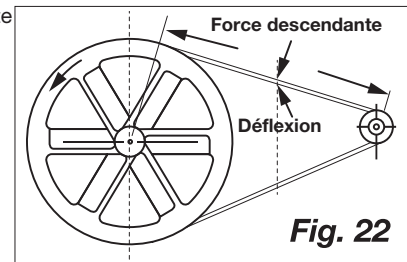


Fig. 22

AVIS : Une fois que la poulie du moteur a été déplacée de son emplacement fixé en usine, les gorges du volant et de la poulie doivent être alignées avec un écart inférieur à 1,6 mm (1/16 po) pour empêcher une usure excessive de la courroie. Vérifiez l'alignement en effectuant la procédure suivante d'alignement de la poulie/du volant.

ALIGNEMENT DE LA POULIE DU MOTEUR ET DU VOLANT

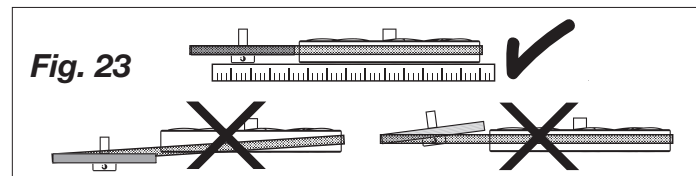


Fig. 23

Le volant du compresseur d'air et la poulie du moteur doivent être alignés (dans le même plan) avec un écart inférieur à 1,6 mm (1/16 po) pour assurer que la courroie reste dans les gorges du volant qui lui sont allouées. Pour corriger l'alignement, effectuez les étapes suivantes :

1. Mettez l'interrupteur Auto/Arrêt en position «OFF (ARRÊT) (0)», débranchez l'appareil et relâchez toute la pression d'air du réservoir.
2. Retirez le protège-courroie extérieur.
3. Desserrez les boulons de montage du moteur.
4. Desserrez les vis de pression de la poulie du moteur.
5. Alignez la poulie du moteur et le volant de la pompe.
6. Resserrez les vis de pression de la poulie du moteur. Appliquez un couple de 13,6 à 14,7 Nm (120 à 130 po-lb).
7. Réglez la tension correcte de la courroie.
8. Resserrez les boulons de montage du moteur. Appliquez un couple de 27,1 à 33,9 N m (20 à 25 pi-lb).
9. Réinstallez le protège-courroie extérieur. Toutes les pièces mobiles doivent être protégées.

SOUPAPES D'ADMISSION ET D'ÉCHAPPEMENT DE LA POMPE

Une fois par an, faites appel à un technicien de service formé pour faire vérifier les soupapes d'admission et d'échappement de la pompe.

INSPECTION DES CONDUITES D'AIR ET DES RACCORDS À LA RECHERCHE DE FUITES

1. Mettez l'interrupteur Auto/Arrêt sur «Auto (1)» et laissez la pression monter dans le réservoir. Le moteur s'arrêtera lorsque la pression dans le réservoir atteint la pression de «coupure».
2. Réglez l'interrupteur Auto/Arrêt en position «OFF (ARRÊT) (0)» et débranchez l'appareil.
3. Appliquez une solution savonneuse sur tous les raccords de conduites d'air et les connexions/la tuyauterie, à la recherche de fuites.
4. Tirez sur l'anneau de la soupape de sûreté pour purger l'air du réservoir jusqu'à ce que la pression du réservoir atteigne environ 20 lb/po². Relâchez l'anneau de la soupape de sûreté.
5. Purgez l'eau du réservoir d'air en ouvrant le robinet de purge (I).
6. Corrigez toute fuite trouvée.

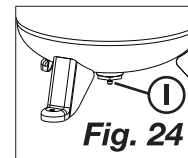


Fig. 24

AVIS : Même des fuites mineures peuvent entraîner un surmenage du compresseur d'air et résulter en des pannes prématurées ou un rendement inadéquat.

BOULONS DE LA TÊTE DE POMPE – COUPLE

Les boulons des têtes de la pompe doivent être maintenus correctement serrés. Vérifiez le couple des boulons de la tête après les cinq premières heures de fonctionnement. Appliquez un couple de 20,3 à 27,1 N m (15 à 20 pi-lb).

Entretien/réparations et réglages

TOUT L'ENTRETIEN ET TOUTES LES RÉPARATIONS NE FIGURANT PAS SUR LA LISTE DOIVENT ÊTRE RÉALISÉS PAR UN TECHNICIEN DE SERVICE FORMÉ.

⚠️ AVERTISSEMENT : *Risque d'utilisation non sécuritaire. L'appareil fonctionne automatiquement lorsque l'alimentation électrique est en marche. Lorsque vous effectuez l'entretien ou une réparation, vous pourriez être exposé(e) à des sources de tension, l'air comprimé ou des pièces mobiles. Avant d'effectuer l'entretien ou une réparation de l'appareil, déconnectez l'alimentation électrique au compresseur d'air, purgez la pression du réservoir et laissez le compresseur d'air refroidir.*

Entretien supplémentaire

Démonter ou entretenir le compresseur d'air au delà des instructions données dans ce guide est déconseillé. Si un entretien supplémentaire est nécessaire, veuillez communiquer avec le Centre de service de garantie autorisé le plus près de chez-vous.

Accessoires

Les accessoires compatibles avec votre appareil peuvent être achetés auprès d'un marchand local ou d'un centre de service autorisé. Si vous avez besoin d'une assistance pour trouver les accessoires compatibles avec votre appareil, veuillez composer le 1 888 895-4549 ou visitez le site www.dewalt.com.

⚠️ AVERTISSEMENT : *L'utilisation de tout autre accessoire non recommandé pour cet outil pourrait s'avérer dangereuse. Utilisez uniquement des accessoires dont les spécifications sont supérieures ou égales à celles du compresseur d'air.*

Renseignements de service

Veuillez avoir les renseignements suivants pour tous les appels de service :

Numéro de modèle _____ Numéro de série _____

Date et lieu d'achat _____

Réparations

Pour assurer la SÉCURITÉ et la FIABILITÉ du produit, toute réparation, tout entretien ou tout réglage doit être effectué par un centre de service d'usine DEWALT ou un centre de service DEWALT autorisé ou par du personnel qualifié. Utilisez toujours des pièces de rechange identiques.

Garantie limitée

Le fabricant garantit le produit à compter de la date d'achat.

2 ans – Garantie limitée sur les pompes de compresseurs d'air lubrifiées à l'huile.

1 an – Garantie limitée sur tous les autres composants des compresseurs d'air. Cette garantie limitée ne peut pas être transférée aux propriétaires suivants.

Le fabricant réparera ou remplacera, sans frais, à sa convenance, tout appareil défectueux dû à des matériaux défectueux ou à des vices de fabrication. Pour obtenir des renseignements supplémentaires sur la couverture de garantie, ainsi que les réparations au titre de la garantie, veuillez composer le 1 888 895-4549 ou visiter le site dewalt.com. La présente garantie ne couvre pas les accessoires ou dommages résultant de réparations effectuées ou tentées par d'autres personnes. La présente garantie ne couvre également pas les produits vendus par le fabricant, ayant été fabriqués par et identifiés comme produits d'une autre société, comme les moteurs à essence. La garantie de tel fabricant sera applicable dans ces cas. **TOUTE PERTE OU TOUS DOMMAGES OU FRAIS INDIRECT(E)S, ACCESSOIRE(S) OU CONSÉCUTIF(VE)S POUVANT RÉSULTER D'UN DÉFAUT OU D'UNE DÉFAILLANCE QUELCONQUE DU PRODUIT N'EST COUVERTE/NE SONT PAS COUVERTS PAR LA PRÉSENTE GARANTIE.** Certains états et provinces ne permettent pas l'exclusion ou la restriction des dommages indirects ou consécutifs; les restrictions et exclusions citées ci-dessus peuvent donc ne pas s'appliquer à votre cas. **LES GARANTIES IMPLICITES, Y COMPRIS LA GARANTIE DE QUALITÉ MARCHANDE OU D'ADAPTATION À UN USAGE PARTICULIER, SONT LIMITÉES À UN AN, À COMPTER DE LA DATE D'ACHAT ORIGINALE.** Certains états et provinces ne permettent pas les restrictions quant à la durée d'une garantie implicite; les restrictions mentionnées ci-dessus peuvent donc ne pas s'appliquer à votre cas. Ce que le fabricant fera : (le fabricant) couvrira les pièces et la main-d'œuvre requises pour remédier aux défauts importants de matériaux et de fabrication pendant la première année de possession, à l'exception des cas suivants. Les pièces utilisées pour la réparation de produits ou accessoires entiers sont garantis pendant le reste de la période de garantie originale.

Ce qui n'est pas couvert par la présente garantie Un manque par l'acheteur original à installer, entretenir et utiliser ledit équipement conformément aux pratiques exemplaires de l'industrie. Les modifications apportées au produit ou les altérations des composants, ou un manque à se conformer aux recommandations spécifiques du fabricant stipulées dans le guide d'utilisation, annuleront la présente garantie. Le fabricant ne sera tenu responsable d'aucune réparation, d'aucun remplacement ou réglage de l'équipement ni d'aucuns frais de main-d'œuvre encourus par l'acheteur, sans l'accord écrit préalable du fabricant. Les effets de la corrosion, de l'érosion, des conditions environnementales avoisinantes, les défauts d'ordre cosmétique et les articles d'entretien régulier, sont spécifiquement exclus de la présente garantie. Les articles d'entretien régulier, à savoir : l'huile, les lubrifiants et les filtres à air, ainsi que changer l'huile, les filtres à air, régler la tension de la courroie, etc. sont la responsabilité du client. Les autres exclusions comprennent : les dommages causés en cours de transport, les défaillances résultant de la négligence, d'un accident ou d'un usage abusif, les moteurs à induction utilisés à partir d'une génératrice, les fuites d'huile, les fuites d'air, la consommation d'huile, les raccords qui fuient, les boyaux, les robinets de purge, les tubes de purge et les tubes de transfert.

- Les composants suivants sont considérés comme faisant l'objet d'une usure normale et ne sont pas couverts, après la première année de possession : les courroies, les poulies, les volants, les clapets anti-retour, les pressostats, les tubes de sortie, les tubes de décompression, les leviers de commande, les moteurs électriques, les brosses, les régulateurs, les joints toriques, les manomètres, les tuyauteries, les conduites, les raccords, les fixations, les roues, les raccords rapides, les joints d'étanchéité, les joints, les logements de filtre à air, les bagues de piston, les tiges de raccordement et les joints de piston.
- La main-d'œuvre, les appels de service et les frais de déplacement ne sont pas couverts après la première année de possession pour les compresseurs d'air fixes (les compresseurs d'air sans poignées ou roues). Les réparations nécessitant des heures supplémentaires, des tarifs de week-end ou tous autres frais au-delà du taux de la main-d'œuvre standard en atelier, ne sont pas couvertes.
- Le temps requis pour la formation initiale du centre de service en vue d'avoir accès au produit ou tout temps supplémentaire requis en raison d'une sortie inadéquate.
- Les dommages causés par une tension incorrecte, un mauvais câblage ou un manque à faire appel à un électricien accrédité pour installer le compresseur d'air, annuleront la présente garantie.
- Les dommages causés par un entretien inadéquat du filtre.
- L'usure de la pompe ou les dommages à la soupape, résultant de l'utilisation d'une huile non recommandée.
- L'usure de la pompe ou les dommages causés par une contamination d'huile quelconque.
- L'usure de la pompe ou les dommages à la soupape, résultant d'un manque à respecter les directives d'entretien.
- Une utilisation avec un niveau d'huile insuffisant ou sans huile.
- Si le produit est équipé d'un moteur à essence, reportez-vous au mode d'emploi du moteur pour la couverture précise du fabricant du moteur.

Les pièces achetées séparément : La garantie pour les pièces achetées séparément, telles que : les pompes, les moteurs, etc. sont couverts comme suit :

À compter de la date d'achat

- Toutes les pompes à un seul et deux étages : 1 an
- Moteurs à induction électrique : 90 jours
- Moteurs/pompes électriques : 30 jours
- Toutes les autres pièces : 30 jours
- Aucune autorisation de retour ne sera émise pour les composants électriques, une fois que les articles sont installés.

Comment obtenir un service? Afin de pouvoir vous prévaloir d'un service au titre de la présente garantie, vous devez être l'acheteur au détail original et fournir une preuve d'achat auprès de l'un des détaillants, concessionnaires, distributeurs ou points de vente au détail du fabricant. Les compresseurs d'air ou composants portatifs doivent être livrés ou expédiés au centre de service autorisé le plus proche. Tous les frais de transport et de déplacement associés doivent être payés par le consommateur. Veuillez composer notre numéro gratuit au 1 888 895-4549 pour obtenir une assistance.

LA PRÉSENTE GARANTIE VOUS DONNE DES DROITS LÉGAUX SPÉCIFIQUES; ET D'AUTRES DROITS PEUVENT S'APPLIQUER SELON SELON L'ÉTAT OU LA PROVINCE OÙ VOUS RÉSIDEZ.

LE FABRICANT N'ACCORDE AUCUNE AUTRE GARANTIE ET NE FAIT AUCUNE AUTRE DÉCLARATION, EXPRESSE OU IMPLICITE, QUE CELLES CONTENUES DANS LE PRÉSENT TITRE. TOUTES LES GARANTIES IMPLICITES, Y COMPRIS LES GARANTIES DE QUALITÉ MARCHANDE OU D'APTITUDE À UN USAGE PARTICULIER, SONT RÉFUTÉES PAR LA PRÉSENTE. LA RESPONSABILITÉ POUR TOUS

DOMMAGES ACCESSOIRES OU INDIRECTS DANS LE CADRE DE TOUTE GARANTIE, D'AUTRES CONTRATS, DE NÉGLIGENCE OU AUTRES, EST EXCLUE, DANS LA MESURE OÙ TELLE EXCLUSION EST PERMISE PAR LA LOI.

REPLACEMENT GRATUIT DES ÉTIQUETTES

D'AVERTISSEMENT : Si vos étiquettes d'avertissement deviennent illisibles ou manquantes, veuillez composer le 1 888 895-4549 pour obtenir un remplacement gratuit.



GLOSSAIRE

PI³/MIN : Pieds cubes par minute

LB/PO² : Livres par pouce carré; une unité de mesure de la pression.

PI³ STANDARD/MIN : Pieds cubes standard par minute; une unité de mesure du débit d'air.

Pression de coupure : Point de haute pression réglé en usine qui arrête le compresseur d'air pour l'empêcher d'augmenter la pression dans le réservoir à un niveau plus élevé.

Pression de marche en compression : Point de basse pression réglé en usine qui démarre le compresseur d'air pour repressuriser le réservoir à une pression plus élevée.

Bien aéré : Un moyen de fournir de l'air frais pour contrebalancer les émissions ou vapeurs dangereuses.

Circuit dédié : Un circuit électrique réservé à l'usage exclusif du compresseur d'air.

ASME : American Society of Mechanical Engineers Indique que les composants sont fabriqués, testés et inspectés conformément aux spécifications de l'ASME.

Groupe CSA (U.) : Indique que le produit a été testé et a satisfait aux exigences de certification pour UL ANSI/UL 1450.

Groupe CSA (É.-U.) : Indique que le produit a été testé et a satisfait aux exigences de certification de Canadian Standards Associate CSA C22.2 No. 68 et UL ANSI/UL 1450

Code de la Californie : Il se peut que le l'appareil soit conforme au code 462 (I) (2)/ (M) (2) de la Californie. L'étiquette de spécifications/du modèle est située sur le côté du réservoir sur les appareils qui sont conformes au code de la Californie.



Guide de dépannage

Cette section fournit une liste des défaillances les plus fréquemment rencontrées, de leurs causes et des actions correctives. L'opérateur ou le personnel d'entretien peut effectuer certaines actions correctives, et d'autres peuvent nécessiter l'assistance d'un technicien DEWALT qualifié ou de votre concessionnaire.

Problème	Code
Fuites d'air	1
Fuites d'air dans le réservoir ou par les soudures du réservoir	2
Fuites d'air entre la tête et la plaque porte-soupape	3
Fuites d'air de la soupape de sûreté	4
Le compresseur d'air ne fournit pas assez d'air pour faire fonctionner les accessoires.	1, 5, 6, 7, 9, 10, 13, 19, 20, 21, 23, 24, 25, 26, 27
Prise d'air réduite.	9
Huile dans l'air de décharge	19
Bruit de cognement	10, 11, 12, 13, 14
Usure excessive de la courroie	10, 11, 14, 15
Son grinçant.	10
Humidité dans le carter du moteur de la pompe	1, 3, 8, 17, 18, 19, 20, 21, 22
Courant excessif tiré	14, 23, 24, 25
Le compresseur d'air ne démarre pas par temps froid	17, 31, 32
Le compresseur d'air cale	25, 26, 27
Surchauffe	23, 24, 25, 29, 30

Code de diagnostic de pannes

Code	Cause possible	SOLUTION POSSIBLE
1	Les raccords ne sont pas serrés.	Serrez les raccords lorsque vous entendez l'air s'échapper. Vérifiez les raccords avec de l'eau savonneuse. ÉVITEZ DE TROP SERRER.
2	Réservoir défectueux	Remplacez le réservoir. Ne colmatez pas la fuite. ▲ DANGER : Risque d'éclatement. Ne percez et ne soudez pas le réservoir et ne le modifiez d'aucune façon sinon il sera affaibli. Le réservoir peut se briser ou exploser.
3	Fuites des joints d'étanchéité	Communiquez avec le centre de service d'usine DeWALT ou un centre de service DeWALT autorisé.
4	Soupape de sûreté défectueuse.	Actionnez manuellement la soupape de sûreté en tirant sur l'anneau. Si la soupape fuit toujours, il faut la remplacer.
5	Utilisation excessive et prolongée de l'air.	Diminuez la quantité d'air utilisée.
6	Le compresseur d'air ne fournit pas assez d'air pour faire fonctionner les accessoires.	Vérifiez les exigences en air de l'accessoire. Si la quantité d'air requise est supérieure au débit en pied cube standard par minute ou à la pression fournie par votre compresseur d'air, un compresseur d'air plus grand est nécessaire pour faire fonctionner l'accessoire.
7	Boyau d'air percé.	Vérifiez le boyau d'air, remplacez-le au besoin.

Code	Cause possible	SOLUTION POSSIBLE
8	Utilisation dans des conditions humides ou mouillées.	Déplacez l'appareil dans un endroit sec, et bien aéré.
9	Filtre d'entrée d'air colmaté.	Nettoyez ou remplacez le filtre d'entrée d'air.
10	Courroie desserrée.	Vérifiez la tension de la courroie, reportez-vous à Réglage de la tension de la courroie sous Entretien , page 22.
11	Poulie desserrée.	Serrez la vis de pression de la poulie, à un couple entre 13,6 et 14,7 N m (120 et 130 lb-pi).
12	Volant desserré.	Serrez la vis du volant, à un couple entre 27,1 et 32,5 N m (20 et 24 pi-lb).
13	Dépôt de carbone dans la pompe.	Communiquez avec le centre de service d'usine DeWALT ou un centre de service DeWALT autorisé.
14	Courroie trop serrée.	Vérifiez la tension de la courroie, reportez-vous à Réglage de la tension de la courroie sous Entretien , page 22.
15	Poulie mal alignée.	Reportez-vous à Alignement de la poulie et du volant sous Entretien , page 22.
16	L'huile dans la pompe est basse.	Ajoutez de l'huile pour compresseur d'air entièrement synthétique et non détergente dans la pompe. Reportez-vous à Huile de la pompe du compresseur d'air sous Entretien , page 21.

Code	Cause possible	SOLUTION POSSIBLE
17	Une huile de type détergent est utilisée dans la pompe.	Vidangez l'huile et remplissez la pompe avec de l'huile pour compresseur d'air entièrement synthétique et non détergente.
18	Cycles d'utilisation très courts.	Exécutez des cycles d'utilisation plus longs.
19	Bagues de piston endommagées ou usées	Communiquez avec le centre de service d'usine DeWALT ou un centre de service DeWALT autorisé.
20	Cylindre or piston endommagé or usé.	Communiquez avec le centre de service d'usine DeWALT ou un centre de service DeWALT autorisé.
21	Fini du cylindre du compresseur d'air usé.	Communiquez avec le centre de service d'usine DeWALT ou un centre de service DeWALT autorisé.
22	Eau dans l'huile de la pompe.	Vidangez l'huile et remplissez la pompe avec de l'huile pour compresseur d'air entièrement synthétique et non détergente.
23	Basse tension/surcharge du moteur.	Vérifiez que l'alimentation électrique est adéquate et que le compresseur d'air est sur un circuit dédié. Si le compresseur d'air est connecté à un circuit protégé par un fusible, utilisez des fusibles temporisés.

Code	Cause possible	SOLUTION POSSIBLE
24	Passages d'air restreints.	Vérifiez et remplacez les tubes de transfert ou le clapet anti-retour au besoin.
25	La tension du moteur est faible.	Fournissez une alimentation adéquate.
26	Mauvais clapet anti-retour.	Remplacez le clapet anti-retour.
27	Pompe bloquée	Communiquez avec le centre de service d'usine DeWALT ou un centre de service DeWALT autorisé.
28	Niveau d'huile trop élevé.	Ramenez au niveau approprié Reportez-vous à Huile de la pompe du compresseur d'air sous Entretien , page 21.
29	Faible ventilation.	Déplacez le compresseur d'air à un endroit frais, sec et bien aéré, à une distance d'au moins 30,5 cm du mur le plus proche
30	Surfaces de refroidissement sales.	Nettoyez toutes les surfaces de refroidissement.
31	Trop de pression dans le réservoir.	Ouvrez le robinet de purge au moment de démarrer le moteur.
32	Compresseur d'air trop froid.	Déplacez le compresseur d'air à un endroit plus chaud.

Definiciones: Reglas de seguridad

Las siguientes definiciones describen el nivel de gravedad de cada palabra de advertencia. Lee el manual y presta atención a estos símbolos.

⚠ PELIGRO: Indica una situación de peligro inminente que, si no se evita, puede ocasionar lesiones graves o la muerte.

⚠ ADVERTENCIA: Indica una posible situación peligrosa que, si no se evita, podría ocasionar una lesión grave o la muerte.

⚠ PRECAUCIÓN: Indica una posible situación de peligro que, si no se evita, podría ocasionar lesiones leves o moderadas.

AVISO: Indica una práctica no relacionada con lesiones personales que, si no se evita, puede resultar en daños a la propiedad.

SI TIENES ALGUNA PREGUNTA O COMENTARIO SOBRE ESTA O CUALQUIER HERRAMIENTA DEWALT, LLÁMANOS GRATUITAMENTE AL: 1-888-895-4549

Instrucciones de seguridad importantes

⚠ADVERTENCIA: No operes esta unidad hasta que leas este manual de instrucciones para conocer las instrucciones de seguridad, operación y mantenimiento.

ADVERTENCIA: CONTIENE PLOMO. Puede ser dañino si se come o mastica. Puede generar polvo que contenga plomo. Lávate las manos después de usarlo. Mantener fuera del alcance de los niños.

⚠ADVERTENCIA: Este producto puede exponerte a elementos químicos como el plomo, que el estado de California reconoce como causantes de cáncer, malformaciones congénitas y otros daños al sistema reproductor. Para más información, visita www.P65Warnings.ca.gov.



⚠ PELIGRO: Riesgo de explosión o incendio.

¿QUÉ PUEDE PASAR?	¿CÓMO PREVENIRLO?
<ul style="list-style-type: none"> Es normal que los contactos eléctricos dentro del motor y el interruptor de presión produzcan chispas. 	<ul style="list-style-type: none"> Siempre opera el compresor de aire en un área bien ventilada libre de materiales combustibles, gasolina o vapores de solventes.
<ul style="list-style-type: none"> Si las chispas eléctricas del compresor de aire entran en contacto con vapores inflamables, pueden encenderse y provocar un incendio o una explosión. 	<ul style="list-style-type: none"> Si estás rociando materiales inflamables, ubica el compresor de aire a una distancia mínima de 20' (6.1 m) del área de rociado. Es posible que se requiera una manguera de aire más larga. Guarda los materiales inflamables en un lugar seguro lejos del compresor de aire.
<ul style="list-style-type: none"> Restringir cualquiera de las aberturas de ventilación del compresor de aire provocará un sobrecalentamiento grave y podría provocar un incendio. 	<ul style="list-style-type: none"> Nunca coloques objetos contra o encima del compresor de aire. Opera el compresor de aire en un área abierta al menos a 12" (30.5 cm) de distancia de cualquier pared u obstrucción que pueda restringir el flujo de aire fresco a las aberturas de ventilación. Opera la unidad en un área limpia, seca y bien ventilada. No operes la unidad en ningún área confinada. Almacenar en interiores.



▲ PELIGRO: Riesgo de explosión o incendio.

¿QUÉ PUEDE PASAR?	¿CÓMO PREVENIRLO?
<ul style="list-style-type: none"> • La operación desatendida de este producto podría resultar en lesiones personales o daños a la propiedad. Para reducir el riesgo de incendio, no permitas que el compresor de aire funcione sin supervisión. 	<ul style="list-style-type: none"> • Permanece siempre atento al producto cuando esté en funcionamiento. • Siempre apaga y desenchufa la unidad cuando no esté en uso.



▲ PELIGRO: Riesgo para la respiración (asfixia).

¿QUÉ PUEDE PASAR?	¿CÓMO PREVENIRLO?
<ul style="list-style-type: none"> • El aire comprimido de tu compresor de aire no es seguro para respirar. La corriente de aire puede contener monóxido de carbono, vapores tóxicos o partículas sólidas del tanque. Respirar estos contaminantes puede causar lesiones graves o la muerte. 	<ul style="list-style-type: none"> • Nunca utilices aire obtenido directamente del compresor para suministrar aire para consumo humano. El compresor de aire no está equipado con filtros adecuados y equipo de seguridad en línea para el consumo humano.

¿QUÉ PUEDE PASAR?	¿CÓMO PREVENIRLO?
<ul style="list-style-type: none"> • La exposición a productos químicos contenidos en el polvo creado por el lijado, aserrado, esmerilado y otras actividades de construcción, puede ser perjudicial. • Los materiales rociados como pintura, solventes de pintura, removedores de pintura, insecticidas, y herbicidas, pueden contener vapores dañinos y venenos. 	<ul style="list-style-type: none"> • Trabaja en un área con buena ventilación cruzada. Lee y sigue las instrucciones de seguridad provistas en la etiqueta o las hojas de datos de seguridad para los materiales que estás rociando. Utiliza siempre equipo de seguridad certificado: Protección respiratoria NIOSH/OSHA o mascarilla facial que se ajuste correctamente diseñada para usar con su aplicación específica.



▲ PELIGRO: Riesgo de explosión.

Tanque: El 26 de febrero de 2002, la Comisión de Seguridad de Productos del Consumidor de EE. UU. publicó el Comunicado n.º 02-108 sobre la seguridad del tanque del compresor de aire: Los tanques receptores del compresor de aire no tienen una vida ilimitada. La vida útil del tanque depende de varios factores, algunos de los cuales incluyen las condiciones de operación, las condiciones ambientales, las instalaciones adecuadas, las modificaciones en el campo y el nivel de mantenimiento. El efecto de estos factores en la vida útil del tanque es impredecible. Si no se siguen los procedimientos de mantenimiento adecuados, la corrosión interna de la pared interna del tanque puede hacer que el tanque se rompa inesperadamente, lo que permitirá que el aire presurizado escape repentinamente y con fuerza, representando un riesgo de lesiones para los consumidores. El tanque de tu compresor de aire debe retirarse del servicio antes de fin de año que se muestra en la etiqueta de advertencia del tanque.

Las siguientes condiciones podrían debilitar el tanque y provocar una explosión violenta del mismo:



▲ PELIGRO: Riesgo de explosión.

¿QUÉ PUEDE PASAR?	¿CÓMO PREVENIRLO?
<ul style="list-style-type: none"> Si no se drena correctamente el agua condensada del tanque, se oxida y adelgaza el tanque de acero. 	<ul style="list-style-type: none"> Drena el tanque diariamente o después de cada uso. Si el tanque presenta una fuga, reemplázalo inmediatamente con un tanque nuevo o reemplaza todo el compresor de aire.
<ul style="list-style-type: none"> Modificaciones o intentos de reparación del tanque. 	<ul style="list-style-type: none"> Nunca perfores, sueldes o realices modificaciones en el tanque o sus accesorios. Nunca intentes reparar un tanque dañado o con fugas. Reemplázalo con un tanque nuevo.
<ul style="list-style-type: none"> Modificaciones no autorizadas a la válvula de seguridad, o cualquier otro componente que controle la presión del tanque. 	<ul style="list-style-type: none"> El tanque está diseñado para soportar presiones operativas específicas. Nunca hagas ajustes o sustituciones de piezas para alterar las presiones de funcionamiento establecidas de fábrica.

Accesorios:	
¿QUÉ PUEDE PASAR?	¿CÓMO PREVENIRLO?
<ul style="list-style-type: none"> Exceder la presión nominal de las herramientas neumáticas, pistolas rociadoras, accesorios operados por aire, llantas y otros inflables puede hacer que exploten o vuelen, y podría provocar lesiones graves. 	<ul style="list-style-type: none"> Sigue las recomendaciones del fabricante del equipo y nunca excedas la clasificación de presión máxima permitida de los accesorios. Nunca utilices el compresor de aire para inflar objetos pequeños de baja presión, como juguetes para niños, balones de fútbol, baloncesto, etc.
Neumáticos:	
¿QUÉ PUEDE PASAR?	¿CÓMO PREVENIRLO?
<ul style="list-style-type: none"> El inflado excesivo de los neumáticos podría provocar lesiones graves y daños a la propiedad. 	<ul style="list-style-type: none"> Usa un manómetro para llantas para verificar la presión de los neumáticos antes de cada uso y mientras los inflas; consulta el flanco del neumático para conocer la presión correcta.

AVISO: Los tanques, el compresor de aire y equipos similares inflan neumáticos pequeños rápidamente. Ajusta el regulador de presión en el suministro de aire a no más de la clasificación de la presión de los neumáticos. Agrega aire en pequeños incrementos y utiliza con frecuencia el calibrador de neumáticos para evitar un inflado excesivo.



⚠ ADVERTENCIA: Riesgo de lesiones o daños materiales durante el traslado o almacenamiento.

¿QUÉ PUEDE PASAR?	¿CÓMO PREVENIRLO?
<ul style="list-style-type: none"> • Puede haber fugas o derrames de aceite, lo que podría resultar en un incendio o peligro para el aparato respiratorio; pueden generar lesiones graves o la muerte. Las fugas de aceite dañarán la alfombra, la pintura u otras superficies en vehículos o remolques. 	<ul style="list-style-type: none"> • Siempre coloca el compresor de aire sobre una alfombra protectora cuando lo transportes para protegerlo contra daños al vehículo por fugas. Retira el compresor de aire del vehículo inmediatamente después de llegar a tu destino. Mantén siempre nivelado el compresor de aire y nunca lo acuestes de costado.



⚠ ADVERTENCIA: Riesgo de superficies calientes.

¿QUÉ PUEDE PASAR?	¿CÓMO PREVENIRLO?
<ul style="list-style-type: none"> • Tocar el metal expuesto, como la cabeza del compresor de aire o los tubos de salida, puede provocar quemaduras graves. 	<ul style="list-style-type: none"> • Nunca toque las partes metálicas expuestas del compresor de aire durante o inmediatamente después del funcionamiento. El compresor de aire permanecerá caliente durante varios minutos después del funcionamiento. • No toques las cubiertas protectoras ni intentes realizar tareas de mantenimiento hasta que la unidad se haya enfriado.



⚠ ADVERTENCIA: Riesgo por objetos voladores.

¿QUÉ PUEDE PASAR?	¿CÓMO PREVENIRLO?
<ul style="list-style-type: none"> • La corriente de aire comprimido puede causar daños en los tejidos blandos de la piel expuesta y puede impulsar suciedad, virutas, partículas sueltas y objetos pequeños a alta velocidad, lo que puede provocar lesiones personales o daños materiales. 	<ul style="list-style-type: none"> • Siempre usa equipo de seguridad certificado: Protección para los ojos ANSI Z87.1 (CAN/CSA Z94.3) con protectores laterales al usar el compresor de aire. • Nunca apuntes la boquilla o el rociador hacia ninguna parte del cuerpo, otras personas o animales. • Siempre apaga el compresor de aire y purga la presión de la manguera de aire y el tanque antes de intentar el mantenimiento, colocar herramientas o accesorios.



⚠ PELIGRO: Riesgo de descarga eléctrica.

¿QUÉ PUEDE PASAR?	¿CÓMO PREVENIRLO?
<ul style="list-style-type: none"> Tu compresor de aire funciona con electricidad. Al igual que cualquier otro dispositivo eléctrico, si no se usa correctamente, puede provocar una descarga eléctrica. 	<ul style="list-style-type: none"> Nunca operes el compresor de aire al aire libre cuando esté lloviendo o en condiciones húmedas. Nunca operes el compresor de aire con las cubiertas protectoras removidas o dañadas.
<ul style="list-style-type: none"> Las reparaciones realizadas por personal no calificado pueden provocar lesiones graves o la muerte por electrocución. 	<ul style="list-style-type: none"> Todo cableado eléctrico o reparaciones que se requieran en este producto deben ser realizadas por personal del centro de servicio autorizado de acuerdo con los códigos eléctricos nacionales y locales.

⚠ PELIGRO: Asegúrate de que el circuito eléctrico al que está conectado el compresor de aire proporcione la conexión a tierra eléctrica adecuada, el voltaje correcto y la protección adecuada. Si no se proporciona una conexión a tierra eléctrica adecuada para este producto, se podrían producir lesiones graves o la muerte por electrocución. Consulta el párrafo de instrucciones de conexión a tierra en la sección de INSTALACIÓN.



⚠ ADVERTENCIA: Riesgo por piezas móviles.

¿QUÉ PUEDE PASAR?	¿CÓMO PREVENIRLO?
<ul style="list-style-type: none"> Las piezas móviles como la polea, el volante y la correa pueden causar lesiones graves si entran en contacto con tu cuerpo o ropa. 	<ul style="list-style-type: none"> Nunca operes el compresor de aire con protecciones o cubiertas dañadas o removidas. Mantén tu cabello, ropa y guantes alejados de las piezas móviles. La ropa suelta, las joyas o el pelo largo pueden quedar atrapados en las piezas móviles. Las rejillas de ventilación pueden cubrir las piezas móviles y también deben evitarse.
<ul style="list-style-type: none"> Intentar operar un compresor de aire con partes dañadas o faltantes o intentar reparar un compresor de aire con las cubiertas protectoras removidas puede exponerte a las piezas móviles y a la posibilidad de lesiones graves. 	<ul style="list-style-type: none"> Cualquier reparación requerida en este producto debe ser realizada por un centro de servicio de fábrica de DEWALT o un centro de servicio autorizado de DEWALT.



⚠ ADVERTENCIA: Riesgo de operación insegura.

¿QUÉ PUEDE PASAR?	¿CÓMO PREVENIRLO?
<ul style="list-style-type: none"> • La operación insegura de tu compresor de aire podría ocasionarte lesiones graves o la muerte a ti o a otras personas. 	<ul style="list-style-type: none"> • Revisa y comprende todas las instrucciones y advertencias de este manual. • Familiarízate con el funcionamiento y los controles del compresor de aire. • Mantén el área de operación libre de personas, mascotas y obstáculos. • Mantén a los niños alejados del compresor de aire en todo momento. • No operes el producto cuando estés fatigado o bajo la influencia del alcohol o las drogas. Mantente alerta en todo momento. • Nunca anules las características de seguridad de este producto. • Equipar el área de operación con un extintor de incendios. • No operes la máquina con piezas faltantes, rotas o no autorizadas. • Nunca te pares sobre el compresor de aire.



⚠ ADVERTENCIA: Riesgo de lesiones por levantamiento.

¿QUÉ PUEDE PASAR?	¿CÓMO PREVENIRLO?
<ul style="list-style-type: none"> • Se pueden producir lesiones graves al intentar levantar un objeto demasiado pesado. 	<ul style="list-style-type: none"> • El compresor de aire es demasiado pesado para que lo levante una sola persona. Obtén ayuda de otras personas antes de levantarlo.



⚠ ADVERTENCIA: Riesgo por ruido.

¿QUÉ PUEDE PASAR?	¿CÓMO PREVENIRLO?
<ul style="list-style-type: none"> • Bajo algunas condiciones y duración del uso, el ruido de este producto puede contribuir a la pérdida de audición. 	<ul style="list-style-type: none"> • Siempre usa equipo de seguridad certificado: Protección auditiva ANSI S12.6 (S3.19).

Instrucciones de seguridad importantes

LEE ESTE MANUAL DE INSTRUCCIONES Y NORMAS DE SEGURIDAD ANTES DE OPERAR LA UNIDAD. Compara las ilustraciones con la unidad para familiarizarte con la ubicación de varios controles y ajustes. Conserva este manual para futuras consultas.

Compresor de aire

A	Válvula de seguridad
B	Válvula de retención
C	Filtro de entrada de aire de la bomba
D	Tapón de llenado de aceite de la bomba
E	Interruptor automático (1)/de apagado (0)
F	Tapón de drenaje de aceite de la bomba
G	Manómetro del tanque
H	Salida de aire
I	Válvula de drenaje del tanque

Fig. 1

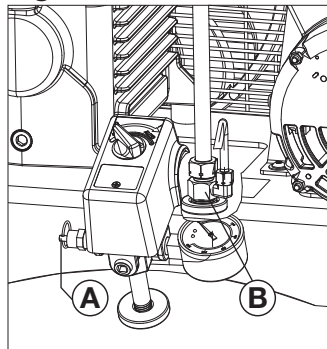
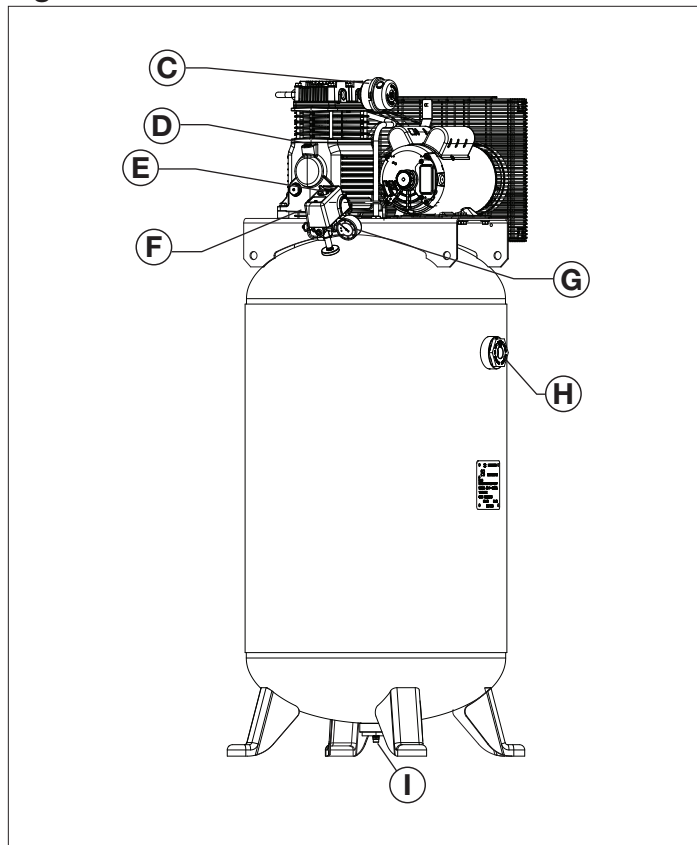


Fig. 2



Especificaciones

MODELO	DXCM805
PESO	Aproximado 259 (117.5 kg)
ALTURA	62.70" (159.26 cm)
ANCHO	25.4" (64.52 cm)
CAPACIDAD DEL TANQUE	80 galones (302.9 litros)
Presión aprox. de EXTRACCIÓN	175 PSI
LIBERACIÓN DE AIRE	17.0 SCFM a 40 PSI 14.6 SCFM a 90 PSI
TIEMPO DE LLENADO DEL TANQUE	7.5 MINUTOS
ENTRADA	240 V, 60 Hz, una fase CA solamente, 20 A
REQUISITO MÍNIMO DE CIRCUITO DERIVADO	30 A
TIPO DE FUSIBLE	Retardo de tiempo

Especificaciones de la bomba

2 cilindros
Una sola fase
Lubricada con aceite
Cárter de fundición, cilindro y cabezal de aluminio
Peso: 35.7 lbs (16.2 kg.)
Capacidad de aceite: 32 oz. liq. (946 ml)

Pieza de la bomba y descripción (Fig. 3)

U	Lleno
V	Añadir
W	Tapón de drenaje de aceite
X	Mirilla del nivel de aceite
Y	Tapón de llenado de aceite

Fig. 3

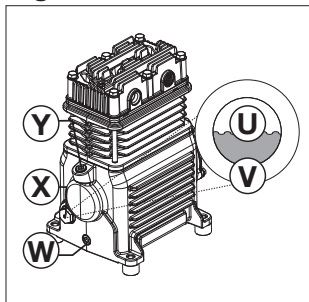
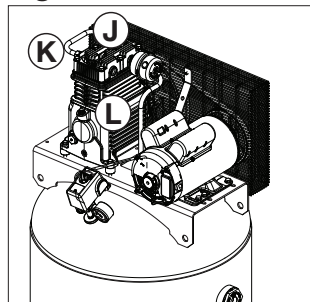


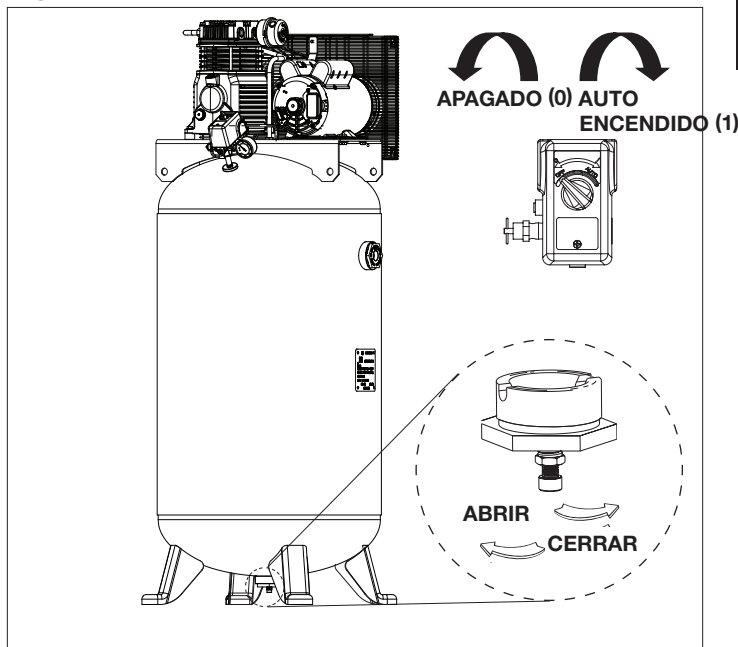
Fig. 4



Superficies calientes (Fig. 4)

J	Cilindro y cabezal del compresor de aire
K	Tubo de salida
L	Cárter de la bomba

Fig. 5



Características

INTERRUPTOR AUTOMÁTICO (1) / APAGADO (ENCENDIDO)

Coloca este interruptor (1) en la posición de AUTOMÁTICO (1) para proporcionar energía automática al interruptor de presión y APAGADO (0) para desconectar la energía al final de cada uso.

AVISO: SIEMPRE asegúrate de que el interruptor (E) esté en la posición OFF (0) y que la unidad esté desenchufada antes de quitar o volver a colocar la tapa del interruptor de presión.

INTERRUPTOR DE PRESIÓN

El interruptor de presión (no se muestra) arranca automáticamente el motor cuando la presión del tanque cae por debajo de la presión de activación configurada en fábrica. Detiene el motor cuando la presión del tanque alcanza la presión de desconexión configurada en fábrica.

VÁLVULA DE SEGURIDAD

Esta válvula (A) está diseñada para evitar fallas al aliviar la presión del sistema cuando el aire comprimido alcanza un nivel predeterminado. La válvula está preajustada por el fabricante y no debe quitarse ni modificarse de ninguna manera.

VÁLVULA DE RETENCIÓN

Cuando el compresor de aire está funcionando, la válvula de retención (B) está abierta, lo que permite que entre aire comprimido en el tanque. Cuando el compresor de aire alcanza la presión de desconexión, la válvula de retención se cierra y permite que la presión de aire permanezca dentro del tanque.

Fig. 6

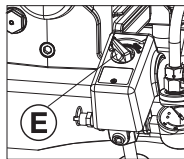


Fig. 7

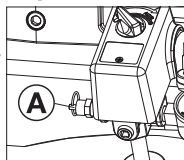
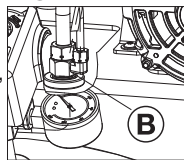


Fig. 8



FILTRO DE ENTRADA DE AIRE

El filtro (C) está diseñado para limpiar el aire que ingresa a la bomba. Para garantizar que la bomba reciba continuamente un suministro de aire limpio, el filtro siempre debe estar limpio y la entrada del filtro debe estar libre de obstrucciones.

VÁLVULA DE DRENAJE DEL TANQUE

La válvula de drenaje (I) está ubicada en la base del tanque y se usa para drenar la condensación al final de cada uso. Consulta **Drenaje del tanque en Mantenimiento**.

MANÓMETRO DEL TANQUE

El manómetro del tanque (G) indica la presión de aire de reserva en el tanque.

REGULADOR

(Se vende por separado, no se muestra) Para la mayoría de las aplicaciones, se recomienda un regulador de presión de aire o un transformador de aire separado que combine las funciones de regulación de aire y/o eliminación de humedad y suciedad. Consulta el párrafo **Sistema de distribución de aire en Instalación**.

⚠PELIGRO: Riesgo de explosión. Demasiada presión de aire provoca un peligroso riesgo de explosión. Verifica la clasificación de presión máxima del fabricante para herramientas neumáticas y accesorios. La presión de salida del nunca debe exceder la clasificación de las herramientas o accesorios.

Fig. 9

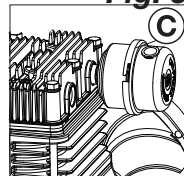


Fig. 10

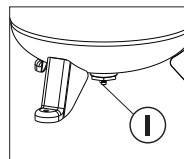
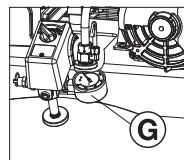


Fig. 11



BOMBA

La bomba comprime el aire en el tanque. El aire para operar no está disponible hasta que la bomba haya elevado la presión del tanque por encima de la requerida en la salida de aire.

PROTECTOR DE SOBRECARGA DEL MOTOR

El motor tiene un protector para la sobrecarga térmica. Si el motor se sobrecalienta por alguna razón, el protector de sobrecarga apagará el motor. Se debe permitir que el motor se enfríe antes de volver a arrancar.

Para reiniciar:

1. Coloca el interruptor Auto/Off en OFF (0) y desconecta la unidad.
2. Permite que el motor se enfríe.
3. Presione el botón rojo de reinicio (T) en el motor.
4. Enchufa el cable de alimentación en el receptáculo del circuito derivado correcto.
5. Coloca el interruptor Automático/Apagado en AUTOMÁTICO (1).

Fig. 12

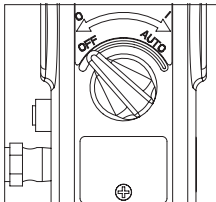


Fig. 13

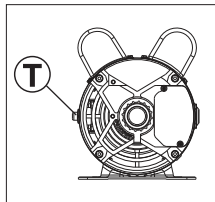
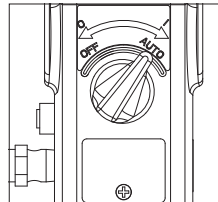


Fig. 14



Instalación

Desempaca el compresor de aire. Inspecciona la unidad en busca de daños. Si la unidad se dañó durante el traslado, comunícate con el transportista y completa una reclamación por daños. Hazlo inmediatamente porque hay limitaciones de tiempo para las reclamaciones por daños.

La caja debe contener	
Descripción	Cantidad
Compresor de aire	1
Manual de instrucciones	1

Revisa la etiqueta de serie del compresor de aire para asegurarte de que has recibido el modelo solicitado y que tiene la presión nominal requerida para el uso previsto.

INSTALACIÓN DE LAS MANGUERAS

⚠ADVERTENCIA: Riesgo de operación insegura. Sujeta firmemente la manguera con la mano cuando la instales o desconéctala para evitar los latigazos de la manguera.

1. Asegúrate de que el manómetro regulado indique 0 PSI (0 kPa).
2. Aplica cinta selladora a las roscas de la manguera.
3. Ensambla la manguera a la salida de aire (H). **IMPORTANTE:** No ensambles divisores directamente a la salida de aire (H) (Fig. 2).

AVISO: El montaje de los cuerpos de conexión rápida a la salida de aire y los tapones de conexión rápida a los extremos de las mangueras hacen que conectar y desconectar las mangueras sea simple y fácil. Los cuerpos de conexión rápida y los enchufes están disponibles para que los compres en tu distribuidor local o en un centro de servicio autorizado.

MANGUERAS DE DESCONEXIÓN

▲ ADVERTENCIA: *Riesgo de operación insegura. Sujeta firmemente la manguera con la mano cuando la instales o desconéctala para evitar los latigazos de la manguera.*

1. Asegúrate de que el manómetro regulado indique 0 PSI (0 kPa).
2. Retira la manguera de la salida de aire (H) (Fig. 2).

COMPRESOR DE AIRE LUBRICACIÓN Y ACEITE

La bomba del compresor de aire se llenó de aceite en el fabricante. Verifica el nivel de aceite de la bomba antes de operar la unidad. Consulta

Aceite de bomba de compresor de aire en **Mantenimiento**.

COMPATIBILIDAD

Las herramientas neumáticas y los accesorios que funcionan con el compresor de aire deben ser compatibles con los productos a base de petróleo. Si sospechas que un material no es compatible con productos derivados del petróleo, se requiere un filtro de línea de aire para eliminar la humedad y el vapor de aceite en el aire comprimido.

AVISO: Siempre usa un filtro de línea de aire para eliminar la humedad y el vapor de aceite cuando rocíes pintura.

UBICACIÓN

- Ubica el compresor en un área limpia, seca y bien ventilada.
- Coloca el compresor de aire a una distancia mínima de 12" (30.5 cm) de la pared u otras obstrucciones que interfieran con el flujo de aire.
- Coloca el compresor de aire lo más cerca posible de la fuente de alimentación principal para evitar el uso de cables eléctricos de gran longitud.

AVISO: Las largas longitudes de cableado eléctrico podrían causar una pérdida de energía al motor.

- El filtro de aire debe mantenerse libre de obstrucciones que puedan reducir el flujo de aire al compresor.

ZONAS HÚMEDAS

En áreas frecuentemente húmedas, se puede formar humedad en la bomba y producir sedimentos en el aceite, lo que hace que las piezas se desgasten prematuramente. Es especialmente probable que se genere una humedad excesiva si la unidad está ubicada en un área sin calefacción que está sujeta a grandes cambios de temperatura. Dos signos de humedad excesiva son la condensación externa en la bomba cuando se enfría y una apariencia "lechosa" en el aceite del compresor de aire. Es posible que puedas evitar que se forme humedad en la bomba aumentando la ventilación u operando durante intervalos más prolongados.

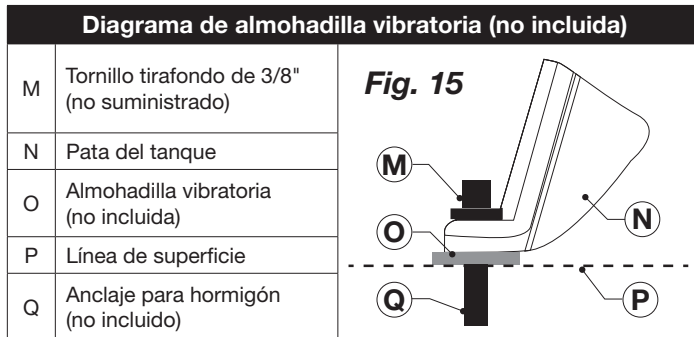
ANCLAJE DEL COMPRESOR DE AIRE

▲ PELIGRO: *Riesgo de explosión. Una vibración excesiva puede debilitar el tanque y causar una explosión. El compresor de aire debe montarse correctamente.*

El compresor de aire DEBE atornillarse a una superficie nivelada y sólida. Usa tornillos tirafondos de 3/8", almohadillas vibratorias y anclajes. Si necesitas ayuda para anclar el compresor de aire, consulta a un contratista autorizado.

1. Coloca el compresor de aire en una superficie nivelada y sólida. Asegúrate de que la superficie esté en buenas condiciones, sin grietas ni daños.
2. Marca la superficie utilizando los orificios de las patas del compresor de aire como una plantilla.

- Taladra orificios en la superficie para los anclajes. Instala los anclajes.
- Alinea los orificios de la superficie con los orificios de las patas del compresor de aire.
- Coloca las almohadillas vibratorias (no incluidas) entre el piso y las patas del compresor de aire, ver **Fig. 15**. Si es necesario, usa cuñas para nivelar la unidad.
- Coloca los tornillos tirafondos de 3/8" a través de las patas del compresor de aire, las almohadillas vibratorias y dentro de los anclajes.
- Aprieta los tirafondos de 3/8" a 7-10 pies-lb (9.5-13.5 Nm).



CABLEADO ELÉCTRICO

⚠ADVERTENCIA: La instalación eléctrica incorrecta de este producto puede anular su garantía y su seguro contra incendios. Haz que el cableado del circuito sea realizado por personal calificado, como un electricista autorizado que esté familiarizado con el código eléctrico nacional y cualquier código eléctrico local vigente.

⚠PELIGRO: Riesgo de descarga eléctrica. Una conexión a tierra eléctrica incorrecta puede provocar una descarga eléctrica. El cableado debe ser realizado por un electricista calificado.

Un electricista calificado debe saber lo siguiente antes de cablear:

- Que el amperaje nominal de la caja eléctrica es adecuado. Consulta las **Especificaciones**, para obtener esta información.
- La línea de alimentación tiene las mismas características eléctricas (voltaje, ciclo, fase) que el motor. Consulta la placa de identificación del motor para obtener esta información.

AVISO: El cableado utilizado debe estar clasificado para el voltaje de la placa de identificación del motor, más o menos 10%. Consulta los códigos locales para conocer los tamaños de cable recomendados, el tamaño correcto de cable y el recorrido máximo de cable. Un cable de tamaño insuficiente provoca un alto consumo de amperaje y sobrecalentamiento del motor.

AVISO: Se recomienda un disyuntor. Si el compresor de aire está conectado a un circuito protegido por un fusible, usa solo fusibles de retardo de tiempo.

⚠PELIGRO: Riesgo de descarga eléctrica. El cableado eléctrico debe ubicarse lejos de superficies calientes, como el conjunto del colector, los tubos de salida del compresor de aire, los cabezales o los cilindros.

INSTRUCCIONES PARA LA CONEXIÓN A TIERRA

⚠PELIGRO: Riesgo de descarga eléctrica. En caso de cortocircuito, la conexión a tierra reduce el riesgo de descarga eléctrica al proporcionar un cable de escape para la corriente eléctrica. Este compresor de aire debe estar debidamente conectado a tierra.

Este producto debe estar conectado a un sistema de cableado permanente, metálico y conectado a tierra, o a un terminal o conductor de conexión a tierra del equipo en el producto.

⚠ PELIGRO: *Riesgo de descarga eléctrica. Una conexión a tierra eléctrica incorrecta puede provocar una descarga eléctrica.*

PROTECCIÓN DE TENSIÓN Y CIRCUITO

Consulta **Voltaje y Requisitos mínimos del circuito derivado en Especificaciones.**

- El suministro de voltaje al circuito debe cumplir con el Código Eléctrico Nacional.
- El circuito no se utiliza para satisfacer otras necesidades eléctricas.

INTERRUPTOR DE DESCONEXIÓN DE LA ALIMENTACIÓN PRINCIPAL

Instala un interruptor de desconexión de alimentación principal en la línea desde el panel hasta el compresor de aire. El interruptor principal de desconexión de energía debe estar ubicado cerca del compresor de aire, para facilitar su uso y seguridad. Cuando está APAGADO, el interruptor principal de desconexión de energía corta toda la alimentación eléctrica al compresor de aire. Cuando se enciende, el compresor de aire se iniciará y se detendrá automáticamente, controlado por el interruptor de presión.

SISTEMA DE DISTRIBUCIÓN DE AIRE

⚠ PELIGRO: *Riesgo de explosión. No utilice tuberías poliméricas que no están certificadas de seguridad y no marcadas para su uso con aire comprimido. Las tuberías convencionales de plástico o PVC no están diseñadas para su uso con aire comprimido, independientemente de su presión nominal marcada.*

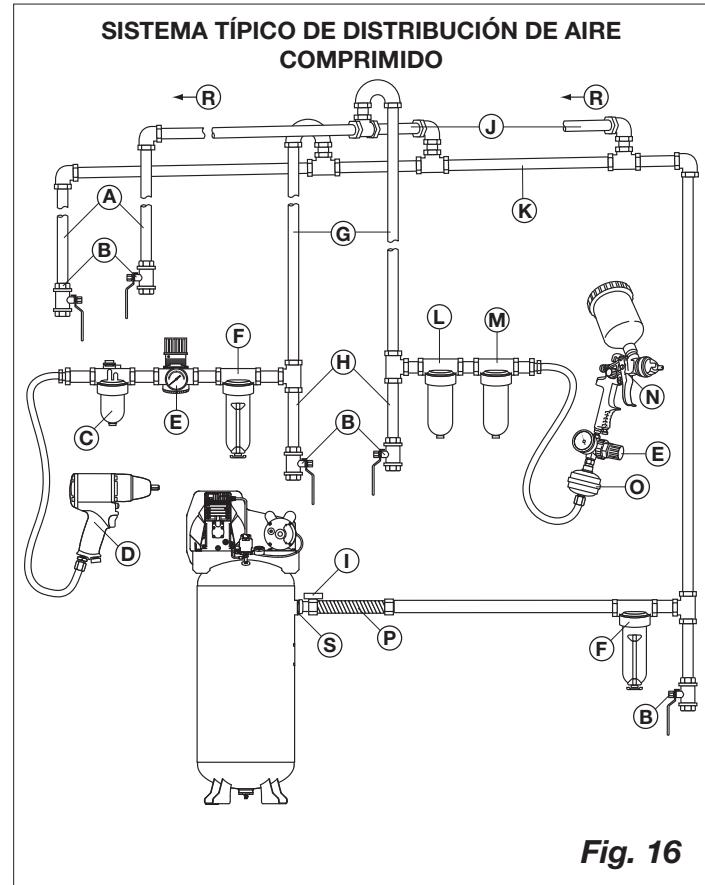
AVISO: El aire comprimido de los compresores de aire lubricados con aceite contendrá condensación de agua y neblina de aceite. Se necesitarán varios drenajes, trampas y filtros para suministrar aire sin agua (incluidos los aerosoles) o aceite para equipos de pulverización, herramientas neumáticas y accesorios que requieran aire filtrado. Lee siempre las instrucciones de las herramientas neumáticas y los accesorios que se utilicen.

- Utiliza una tubería del mismo tamaño que la salida del tanque. Una tubería demasiado pequeña restringirá el flujo de aire.
- Si la tubería tiene más de 100' (30.5 m) de largo, usa el siguiente tamaño más grande.
- Entierra las líneas subterráneas debajo de la línea de escarcha y evita los bolsillos donde la condensación pueda acumularse y congelarse. Aplica presión antes de cubrir las líneas subterráneas para asegurarte de que todas las uniones de las tuberías estén libres de fugas.
- Se recomienda instalar un acoplamiento flexible entre la válvula de globo/salida de descarga de aire y la línea principal de distribución de aire para permitir la vibración.
- Se recomienda un regulador separado para controlar la presión de aire. La presión de aire del tanque suele ser demasiado alta para las herramientas neumáticas individuales.
- NO instales lubricadores entre el tanque y ningún equipo de rociado, herramienta neumática o accesorio que requiera aire filtrado sin aceite.
- Drena todas las trampas, filtros y patas de acumulación de suciedad diariamente.

Pieza	Descripción
A	Patatas del drenaje
B	Válvulas de drenaje
C	Lubricador
D	Herramienta de aire
E	Regulador
F	Filtro / Trampa de humedad
G	Líneas de uso de aire
H	Patatas de acumulación de suciedad
I	Válvula de descarga de aire
J	Pendiente de líneas de alimentación con flujo de aire
K	Principales líneas de distribución de aire
L	Filtro de 5 micras
M	Filtro de 0.01 micra
N	Pistola rociadora
O	Ajustador de bolas
P	Acoplamiento flexible
R	Flujo de aire
S	Salida de aire

AVISO: Inclina la tubería en la dirección del flujo de aire. El agua condensada fluye a lo largo de la parte inferior de la tubería hacia las patas del drenaje, evitando que ingrese a las líneas de alimentación.

AVISO: Para un mejor rendimiento: la distancia entre el compresor de aire y la trampa de humedad debe ser lo más larga posible.



Operaciones

CÓMO PARAR:

Configura el interruptor Auto/Off en "OFF (0)"

Fig. 17.

ANTES DE EMPEZAR

⚠ADVERTENCIA: No operes esta unidad hasta que leas este manual de instrucciones para conocer las instrucciones de seguridad, operación y mantenimiento.

Para un funcionamiento adecuado del compresor de aire, se recomienda mantener un ciclo de trabajo del 50%; es decir, el compresor de aire no debe funcionar más de 30 minutos en un período de 60 minutos.

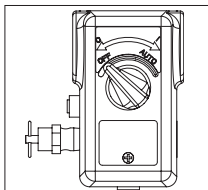
PROCEDIMIENTOS DE ARRANQUE

AVISO: Riesgo de daño a la propiedad. Se pueden producir daños graves si las siguientes instrucciones de arranque no se siguen al pie de la letra.

Este procedimiento es necesario antes de poner en servicio el compresor de aire y cuando se reemplaza la válvula de retención o una bomba completa.

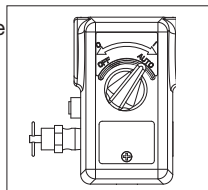
1. Asegúrate de que el interruptor Automático/Apagado esté en la posición "OFF (0)".
2. Revisa el nivel de aceite en la bomba. Consulta el párrafo **Comprobación del Aceite**, en **Mantenimiento** para obtener instrucciones.
3. Vuelve a revisar todo el cableado. Comprueba que los cables estén seguros en todas las conexiones de terminales. Asegúrate de que todos los contactos se mueven libremente y no estén obstruidos.

Fig. 17



4. Abre completamente la válvula de drenaje (en el sentido de las agujas del reloj) para permitir que el aire escape y evitar que se acumule presión de aire en el tanque durante el período de asentamiento.
5. Mueve el interruptor Automático/Apagado a la posición "AUTO (1)", Fig. 18. El compresor de aire arrancará.
6. Haz funcionar el compresor de aire durante 30 minutos. Asegúrate de que la válvula de drenaje y todas las líneas de aire estén abiertas para que solo haya una acumulación mínima de presión de aire en el tanque.

Fig. 18



AVISO: Después de aproximadamente 30 minutos, si la unidad no funciona correctamente, APAGA INMEDIATAMENTE y comunícate con **Servicio al Productos llamando al: 1-888-895-4549**.

7. Revisa todos los accesorios y conexiones/tuberías de la línea de aire en busca de fugas aplicando una solución jabonosa. Corrige si es necesario.
- AVISO:** Las fugas menores pueden hacer que el compresor de aire funcione en exceso, lo que puede provocar una avería prematura o un rendimiento inadecuado.
8. Comprueba si hay vibraciones excesivas. Vuelve a ajustar o calza las patas del compresor de aire, si es necesario.
9. Después de 30 minutos, gira el interruptor Auto/Off a la posición "OFF (0)".
10. Cierra la válvula de drenaje.

11. Gira el interruptor Auto/Off a la posición "AUTO (1)". El tanque se llenará hasta que la presión "se interrumpa" y el motor se detendrá.

El compresor de aire ahora está listo para usar.

ANTES DE CADA PUESTA EN MARCHA

1. Todos los días revisa la mirilla para asegurarte de que el nivel de aceite en la bomba esté en el nivel requerido.
2. Coloca el interruptor Auto/Off en "OFF (0)".
3. Cierra la válvula de drenaje.
4. Inspecciona visualmente las líneas de aire y los accesorios en busca de fugas.
5. Revisa la válvula de seguridad Consulta **Comprobación de la válvula de seguridad en Mantenimiento**.
6. Conecta la manguera y los accesorios.

⚠ADVERTENCIA: *Riesgo de operación insegura. Sujeta firmemente la manguera de aire con la mano cuando la instales o desconectes para evitar que los latigazos de la manguera.*

⚠ADVERTENCIA: *Riesgo de operación insegura. No usar accesorios dañados o desgastados.*

AVISO: La manguera o el accesorio requerirán un enchufe de conexión rápida si la salida de aire está equipada con un enchufe de conexión rápida.

AVISO: DEBE usarse un regulador si la presión de aire requerida para el accesorio es menor que la presión de aire máxima suministrada por el compresor de aire.

⚠PELIGRO: *Riesgo de explosión. Demasiada presión de aire provoca un peligroso riesgo de explosión. Verifica la clasificación de presión máxima del fabricante para herramientas neumáticas y accesorios. La presión de salida del regulador nunca debe exceder la clasificación de presión máxima.*

⚠PRECAUCIÓN: *Riesgo de operación insegura. El aire comprimido de la unidad puede contener condensación de agua y neblina de aceite. No rocíes aire sin filtrar en un artículo que podría dañarse con la humedad. Algunas herramientas neumáticas y accesorios pueden requerir aire filtrado. Lee las instrucciones de las herramientas neumáticas y los accesorios.*

CÓMO EMPEZAR

1. Gira el interruptor Auto/Off a "AUTO (1)" y deja que se acumule la presión del tanque. El motor se detendrá cuando la presión del tanque alcance la presión de "interrupción".
2. Cuando la presión del tanque alcance la presión de "interrupción", abre la válvula de descarga de aire.

AVISO: Cuando utilices un regulador y otros accesorios, consulta las instrucciones del fabricante.

⚠PELIGRO: *Riesgo de explosión. Si notas cualquier ruido o vibración inusual, detén el compresor de aire inmediatamente y haz que lo revise un técnico de servicio capacitado.*

El compresor de aire está listo para usar.

APA-GADO (Fig. 5)

1. Mueve el interruptor Auto/Off a la posición "OFF (0)".

AVISO: Cuando termines de usar el compresor de aire, sigue los Pasos 2 a 5.

2. Drena el tanque, consulta **Drenaje del tanque en Mantenimiento**. Asegúrate de que el manómetro del tanque indique 0 PSI (0 kPa).

APAGADO (continuación)

⚠ADVERTENCIA: *Riesgo de operación insegura. Sujeta firmemente la manguera de aire con la mano cuando la instales o desconectes para evitar que los latigazos de la manguera.*

3. Retira la manguera y los accesorios.

⚠PELIGRO: *Riesgo de explosión. Drena el tanque diariamente. El agua se condensará en el tanque. Si no se drena, el agua corroerá y debilitará el tanque, lo que provocará un riesgo de ruptura del tanque.*

4. Permite que el compresor de aire se enfríe.
5. Limpia el compresor de aire y guárdalo en un área segura que no se congele.

Mantenimiento

Para garantizar un funcionamiento eficiente y una vida útil más larga del compresor de aire, se debe preparar y seguir un programa de mantenimiento de rutina. El siguiente programa de mantenimiento de rutina está diseñado para un compresor de aire en un entorno de trabajo normal que opera diariamente. Si es necesario, el programa debe modificarse para adaptarse a las condiciones en las que se utiliza el compresor de aire. Las modificaciones dependerán de las horas de funcionamiento y del entorno de trabajo. Un compresor de aire en

un ambiente extremadamente sucio y/u hostil requerirá una mayor frecuencia de todas las revisiones de mantenimiento.

Programación de mantenimiento					
Procedimiento	Diario	Semanal	Mensual	1 año o 100 horas	Ver Advertencia sobre el tanque
Revisa la válvula de seguridad	√				
Inspecciona el filtro de aire		√+			
Drena el tanque	√				
Comprueba el nivel de aceite de la bomba	√				
Cambia el aceite de la bomba				√**	
Inspección de fugas de aceite	√				
Inspecciona la correa de transmisión	√				
Comprueba la tensión de la correa de transmisión			√		
Comprueba la alineación de la polea/volante				√	
Comprueba si hay ruidos/vibraciones inusuales	√				
Comprueba si hay fugas de aire	√*				
Limpia el exterior del compresor de aire		√			
Retira el tanque de servicio					√++
* Para verificar si hay fugas de aire, aplica una solución de agua jabonosa alrededor de las juntas. Mientras el compresor de aire está bombeando a presión y después de que se corta la presión, observa si se forman burbujas de aire.					
** El aceite de la bomba debe cambiarse después de las primeras 20 horas de funcionamiento. A partir de entonces, cuando utilices aceite para compresor de aire completamente sintético sin detergente, cambia el aceite cada 100 horas de funcionamiento o una vez al año, lo que ocurra primero.					
+ Realizar con mayor frecuencia en condiciones de polvo o humedad.					
++ Para obtener más información, llama al 1-888-895-4549.					

⚠ADVERTENCIA: Riesgo de operación insegura. La unidad ejecuta un ciclo automáticamente cuando está encendida. Al realizar el mantenimiento, puedes estar expuesto a fuentes de voltaje, aire comprimido o piezas móviles. Pueden ocurrir lesiones personales. Antes de realizar cualquier mantenimiento o reparación, desconecta la fuente de alimentación del compresor de aire y purga toda la presión de aire.

COMPROBACIÓN DE LA VÁLVULA DE SEGURIDAD

⚠ADVERTENCIA: Superficies calientes. Riesgo de quemaduras. Los tubos, el cabezal de la bomba y las piezas circundantes están muy calientes, no los toques (ver las superficies calientes identificadas en la Fig. 4). Permite que el compresor de aire se enfríe antes de darle servicio.

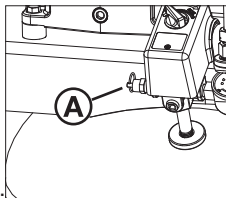
⚠PELIGRO: Riesgo de explosión. Si la válvula de seguridad no funciona correctamente, se puede producir una sobrepresurización que provoque la ruptura del tanque o una explosión.

⚠ADVERTENCIA: Riesgo por objetos voladores. Siempre usa equipo de seguridad certificado: Protección para los ojos ANSI Z87.1 (CAN/CSA Z94.3) con protectores laterales.

Fig. 19

⚠ADVERTENCIA: Riesgo por ruido. Usa protección para los oídos (ANSI S12.6 (S3.19) ya que el ruido del flujo de aire es fuerte durante el drenaje.

Antes de poner en marcha el compresor de aire, jala el anillo de la válvula de seguridad (A) para asegurarte de que la válvula funcione libremente. Si la válvula está atascada o no funciona correctamente, debe reemplazarse con el mismo tipo de válvula.

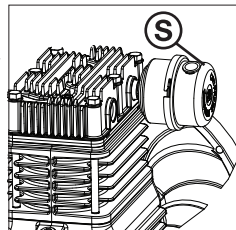


COMPROBACIÓN DEL FILTRO DE AIRE

⚠ADVERTENCIA: Superficies calientes. Riesgo de quemaduras. Los tubos, el cabezal de la bomba y las piezas circundantes están muy calientes, no los toques (ver las superficies calientes identificadas en la Fig. 4). Permite que el compresor de aire se enfríe antes de darle servicio.

Un filtro de aire sucio no permitirá que el compresor de aire funcione a plena capacidad. Mantén el filtro de aire limpio en todo momento.

Fig. 20



1. Asegúrate de que el interruptor Automático/Apagado esté en la posición OFF (0).
2. Permite que la unidad se enfríe.
3. Desengancha/rota la tapa del filtro de aire para quitarla (S).
4. Revisa el elemento del filtro. Si está sucio, sopla aire comprimido a través del elemento del filtro durante 10 a 15 segundos o reemplázalo si es necesario. Si el filtro está lleno de pintura, reemplázalo.
5. Coloca el elemento en la carcasa y vuelve a colocar la tapa del filtro de aire.

⚠ADVERTENCIA: Riesgo de operación insegura. No operar sin filtro de aire.

DRENAJE DEL TANQUE (Fig. 5)

⚠ADVERTENCIA: Riesgo de operación insegura. Los tanques contienen aire a alta presión. Mantén la cara y otras partes del cuerpo alejadas de la salida del drenaje. Usa protección para los ojos [ANSI Z87.1 (CAN/CSA Z94.3)] cuando drenes, ya que los desechos pueden salir disparados hacia la cara.

⚠ADVERTENCIA: Riesgo por ruido. Usa protección para los oídos (ANSI S12.6 (S3.19) ya que el ruido del flujo de aire es fuerte durante el drenaje.

AVISO: Todos los sistemas de aire comprimido generan condensación que se acumula en cualquier punto de drenaje (p. ej., tanques, filtros, refrigeradores posteriores, secadores). Este condensado contiene aceite lubricante y/o sustancias que pueden estar reguladas y deben eliminarse de acuerdo con las leyes y regulaciones locales, estatales y federales.

1. Configura el interruptor Auto/Off en "OFF (0)"
2. Jala el anillo de la válvula de seguridad para permitir que el aire salga del tanque hasta que la presión del tanque sea de aproximadamente 20 PSI. Suelta el anillo de la válvula de seguridad.
3. Drena el agua del tanque abriendo la válvula de drenaje (en el sentido de las agujas del reloj) en la parte inferior del tanque.

⚠PELIGRO: *Riesgo de explosión. El agua se condensará en el tanque. Si no se drena, el agua corroerá y debilitará el tanque, lo que provocará un riesgo de ruptura del tanque.*

AVISO: Riesgo de daño a la propiedad. El agua del tanque puede contener aceite y óxido que pueden causar manchas.

4. Después de drenar el agua, cierra la válvula de drenaje (en sentido antihorario). El compresor de aire ahora se puede almacenar.

AVISO: Si la válvula de drenaje está obstruida, libera toda la presión de aire. La válvula se puede quitar, limpiar y volver a instalar.

COMPRESOR DE AIRE BOMBA DE ACEITE (FIG. 3)

AVISO: Riesgo de daño a la propiedad. Utiliza únicamente aceite para compresores de aire. Los aceites de motor automotriz de peso múltiple como 10W30 no deben usarse en compresores de aire. Dejan depósitos de carbón en los componentes críticos, lo que reduce el rendimiento y la vida útil del compresor de aire.

AVISO: Usa aceite de compresor de aire completamente sintético, sin detergente.

AVISO: La capacidad de aceite del cárter es de aproximadamente 32 onzas líquidas (946 ml).

COMPROBACIÓN DEL ACEITE

1. El nivel de aceite debe llegar a la mitad de la mirilla (X).

2. Si es necesario, retira el tapón de llenado de aceite (Y) y agrega aceite lentamente hasta que llegue a la mitad de la mirilla.

CAMBIO DEL ACEITE

⚠ADVERTENCIA: *Drena el tanque para liberar la presión de aire antes de quitar el tapón de llenado de aceite o el tapón de drenaje de aceite.*

1. Retira el tapón de llenado de aceite (Y).
2. Retira el tapón de drenaje de aceite (W) y drena el aceite en un recipiente adecuado.
3. Vuelve a colocar el tapón de drenaje de aceite (W) y apriétalo firmemente.
4. Agrega lentamente aceite para compresor de aire hasta que llegue a la mitad de la mirilla (X).

AVISO: Al llenar el cárter, el aceite fluye muy lentamente hacia la bomba. Si el aceite se agrega demasiado rápido, se desbordará y parecerá estar lleno.

⚠PRECAUCIÓN: *El sobrellenado con aceite provocará una falla prematura de la bomba. No llenar demasiado.*

5. Vuelve a colocar el tapón de llenado de aceite (Y) y apriétalo firmemente.

REEMPLAZO DE LA CORREA

⚠ADVERTENCIA: *Esta unidad se inicia automáticamente. SIEMPRE apaga y desenchufa el compresor de aire y purga toda la presión del sistema antes de realizar el mantenimiento del compresor de aire y cuando el compresor de aire no esté en uso. No utilices la unidad con las cubiertas o el protector de la correa retirados. Se pueden producir lesiones graves por el contacto con las piezas móviles. Superficies calientes. Riesgo de quemaduras. El cabezal de la bomba y las piezas circundantes están muy calientes, no las toques (ver las superficies calientes identificadas en la Fig. 4). Permite que el compresor de aire se enfríe antes de darle servicio.*

1. Coloca la palanca de Auto/Apagado en "OFF (0)", desenchufa la unidad y libera toda la presión de aire del tanque.
2. Retira el protector de la correa exterior (Z).
3. Marca la posición del motor en el asiento.
4. Afloja los tornillos de montaje del motor y desliza el motor hacia la bomba del compresor de aire.
5. Retira la correa y reemplázala por una nueva.
6. Consulta Ajuste de la Tensión de la Correa antes de apretar los tornillos de montaje del motor.

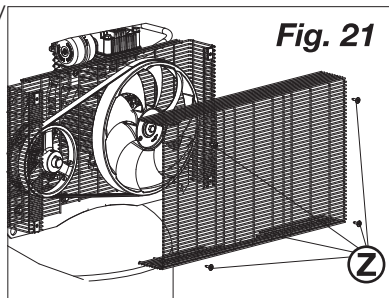


Fig. 21

AJUSTE DE LA TENSIÓN DE LA CORREA

1. Desliza el motor a su posición original, alinea el motor con la marca hecha anteriormente en el asiento.
2. Aprieta los dos tornillos exteriores de montaje del motor lo suficiente para sostener el motor en su lugar para verificar la alineación de la polea y el volante.
3. La correa debe desviarse 1/4" (6.5 mm) a mitad de camino entre la polea y el volante cuando se aplica un peso de 10 libras (4.5 kg) en el punto medio.

4. Cuando se logre la tensión adecuada de la correa, aprieta los tornillos de montaje del motor. Aprieta a 20-25 pies-lb (27.1-33.9 Nm).

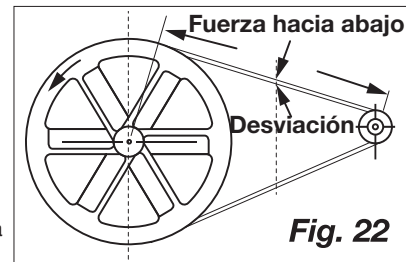


Fig. 22

AVISO: Una vez que la polea del motor se haya movido de su ubicación establecida de fábrica, las ranuras del volante y la polea se deben alinear con una precisión de 1/16" (1.6 mm) para evitar un desgaste excesivo de la correa. Verifica la alineación realizando la siguiente Alineación Polea del motor/volante

ALINEACIÓN DE LA POLEA DEL MOTOR/VOLANTE

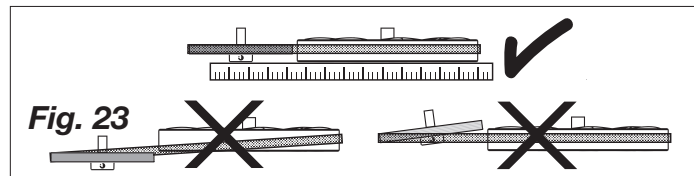


Fig. 23

El volante del compresor de aire y el eje de la polea del motor deben estar alineados (en el mismo plano) dentro de 1/16" (1.6 mm) para asegurar la retención de la correa dentro de las ranuras de la correa del volante. Para corregir la desalineación, ejecuta los siguientes pasos:

1. Coloca la palanca de Auto/Apagado en "OFF (0)", desenchufa la unidad y libera toda la presión de aire del tanque.

- Retira el protector de la correa exterior.
- Afloja los tornillos de montaje del motor.
- Afloja los tornillos de fijación en la polea del motor.
- Alinea la polea del motor con el volante de la bomba.
- Vuelve a apretar los tornillos de fijación de la polea del motor. Torque 120-130 plg.-lb (13.6-14.7 Nm).
- Ajusta la tensión adecuada de la correa
- Vuelve a apretar los tornillos de montaje del motor. Aprieta a 20-25 pies-lb (27.1-33.9 Nm).
- Vuelve a instalar el protector de la correa exterior. Todas las partes móviles deben estar protegidas.

VÁLVULAS DE ADMISIÓN Y ESCAPE DE LA BOMBA

Una vez al año, haz que un técnico de mantenimiento capacitado revise las válvulas de admisión y escape de la bomba.

INSPECCIONA LAS LÍNEAS DE AIRE Y LOS ACCESORIOS EN BUSCA DE FUGAS.

- Gira el interruptor Auto/Off a "AUTO (1)" y deja que se acumule la presión del tanque. El motor se detendrá cuando la presión del tanque alcance la presión de "interrupción".
- Coloca el interruptor Auto/Off en OFF (0) y desconecta la unidad.
- Aplica una solución jabonosa a todos los accesorios y conexiones/tuberías de la línea de aire para encontrar fugas.

- Jala el anillo de la válvula de seguridad para permitir que el aire salga del tanque hasta que la presión del tanque sea de aproximadamente 20 PSI. Suelta el anillo de la válvula de seguridad.
- Drena el agua del tanque abriendo la válvula de drenaje (I).
- Corrige las fugas que encuentres.

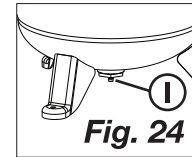


Fig. 24

AVISO: Las fugas menores pueden hacer que el compresor de aire funcione en exceso, lo que puede provocar una avería prematura o un rendimiento inadecuado.

PERNOS DE LA CABEZA DE LA BOMBA - TORQUE

Los pernos del cabezal de la bomba deben mantenerse adecuadamente apretados. Comprueba el torque de los pernos de la cabeza después de las primeras cinco horas de funcionamiento. Aprieta a 15-20 pies-lb (20.3-27.1 Nm).

Servicio y Ajustes

TODAS LAS OPERACIONES DE MANTENIMIENTO Y REPARACIÓN NO MENCIONADAS DEBEN SER EJECUTADAS POR UN TÉCNICO DE MANTENIMIENTO CAPACITADO.

⚠ADVERTENCIA: *Riesgo de operación insegura. La unidad realiza un ciclo automáticamente cuando está encendida. Al realizar el mantenimiento, puedes estar expuesto a fuentes de voltaje, aire comprimido o piezas móviles. Antes de reparar la unidad, desenchufa o desconecta el suministro eléctrico al compresor de aire, purga el tanque de presión y permite que el compresor de aire se enfríe.*

Servicio adicional

No se recomienda desarmar o reparar el compresor de aire más allá de lo que se cubre en este manual. Si se requiere servicio adicional, comuníquese con el Centro de Servicio de Garantía Autorizado más cercano.

Accesorios

Los accesorios recomendados para usar con tu herramienta están disponibles para que los compres en tu distribuidor local o centro de servicio autorizado. Si necesitas ayuda para ubicar algún accesorio para tu herramienta, llama al 1-888-895-4549 o visita www.dewalt.com.

⚠️ ADVERTENCIA: El uso de cualquier otro accesorio no recomendado para usar con esta herramienta podría ser peligroso. Utiliza únicamente accesorios con una clasificación igual o superior a la clasificación del compresor de aire.

Información del servicio

Ten a mano la siguiente información para todas las llamadas de servicio:
Número de modelo _____ Número de serie _____
Fecha y lugar de compra _____

Reparaciones

Para garantizar la SEGURIDAD y CONFIABILIDAD del producto, las reparaciones, el mantenimiento y los ajustes deben ser realizados por un centro de servicio de fábrica de DEWALT, un centro de servicio autorizado de DEWALT u otro personal de servicio calificado. Utiliza siempre piezas de repuesto idénticas.

Garantía limitada

El fabricante garantiza a partir de la fecha de compra.

2 años – Garantía limitada en bombas lubricadas con aceite.

1 año – Garantía limitada en todos los demás componentes del compresor de aire. Esta garantía no es transferible a propietarios posteriores.

El fabricante reparará o reemplazará, sin cargo, a su discreción, cualquier defecto debido a materiales o mano de obra defectuosos. Para más detalles sobre la cobertura de la garantía y la información de reparación de la garantía, llame al 1-(888)-895-4549 o visite dewalt.com. Esta garantía no se aplica a los accesorios ni a los daños causados cuando terceros hayan realizado o intentado reparaciones. Esta garantía tampoco se aplica a la mercancía vendida por el fabricante que ha sido fabricada e identificada como producto de otra empresa, como los motores de gasolina. Se aplicará dicha garantía del fabricante, si corresponde. **CUALQUIER PÉRDIDA, DAÑO O GASTO INCIDENTAL, INDIRECTO O CONSECUENTE QUE PUEDE RESULTAR DE CUALQUIER DEFECTO, FALLA O MAL FUNCIONAMIENTO DEL PRODUCTO NO ESTÁ CUBIERTO POR ESTA GARANTÍA.** Algunos estados no permiten la exclusión o limitación de daños incidentales o consecuentes, por lo que es posible que la limitación o exclusión anterior no se aplique en su caso. **LAS GARANTÍAS IMPLÍCITAS, INCLUIDAS LAS DE COMERCIABILIDAD O IDONEIDAD PARA UN PROPÓSITO EN PARTICULAR, ESTÁN LIMITADAS A UN AÑO A PARTIR DE LA FECHA DE COMPRA ORIGINAL.** Algunos estados no permiten limitar la duración de la garantía, así que la limitación anterior pudiera no aplicarse a su caso. Qué hará el fabricante: (el fabricante) cubrirá las piezas y la mano de obra para remediar los defectos sustanciales debidos a los materiales y la mano de obra durante el primer año de propiedad, con las excepciones que se indican a continuación. Las piezas utilizadas en la reparación de productos completos o accesorios están garantizadas por el resto del período de garantía original.

¿Qué no cubre esta garantía? Incumplimiento por parte del comprador minorista original de instalar, mantener y operar dicho equipo de acuerdo con las prácticas estándar de la industria.

Las modificaciones al producto, o la manipulación de los componentes, o el incumplimiento de las recomendaciones específicas del fabricante establecidas en el manual del propietario, anularán esta garantía. El Fabricante no será responsable de ninguna reparación, reemplazo o ajuste del equipo, ni de ningún costo de mano de obra realizado por el comprador sin la aprobación previa por escrito de la Compañía. Los efectos de la corrosión, la erosión, las condiciones ambientales circundantes, los defectos cosméticos y los elementos de mantenimiento de rutina están específicamente excluidos de esta garantía. Los elementos de mantenimiento de rutina tales como: aceite, lubricantes y filtros de aire, así como el cambio de aceite, filtros de aire, tensado de correas, etc... son responsabilidad del propietario. Las exclusiones adicionales incluyen: daños en el transporte, fallas resultantes de negligencia, accidente o abuso, motores de inducción cuando se operan desde un generador, fugas de aceite, fugas de aire, consumo de aceite, accesorios con fugas, mangueras, válvula de drenaje, tubos de purga y tubos de transferencia.

- Los siguientes componentes se consideran artículos de uso normal y no están cubiertos después del primer año de propiedad: Correas, poleas, volantes, válvulas de retención, interruptores de presión, tubo de salida, tubo de alivio de presión, controles de aceleración, motores eléctricos, cepillos, reguladores, juntas tóricas, manómetros, tubos, tuberías, accesorios, sujetadores, ruedas, acopladores rápidos, juntas, sellos, carcasas de filtro de aire, anillos de pistón, bielas y sellos de pistón.
- La mano de obra, las llamadas de servicio y los gastos de viaje no están cubiertos después del primer año de propiedad de los

compresores de aire estacionarios (compresores de aire sin manijas ni ruedas). No están cubiertas las reparaciones que requieran tiempo extra, tarifas de fin de semana o cualquier otro cargo más allá de la tarifa estándar de mano de obra del taller.

- Tiempo necesario para la capacitación de orientación del centro de servicio para acceder al producto, o tiempo adicional debido a una salida inadecuada.
- Los daños causados por el voltaje incorrecto, el cableado incorrecto o la falta de un electricista certificado con licencia para instalar el compresor de aire anularán esta garantía.
- Daños causados por un mantenimiento inadecuado del filtro.
- Desgaste de la bomba o daño de la válvula causado por el uso de aceite no especificado.
- Desgaste de la bomba o daño causado por cualquier contaminación de aceite.
- Desgaste de la bomba o daño de la válvula causado por no seguir las pautas de mantenimiento adecuadas.
- Funcionamiento por debajo del nivel de aceite adecuado o funcionamiento sin aceite.
- Si el producto está equipado con un motor de gasolina, consulte el manual del motor para conocer la cobertura de garantía específica del fabricante del motor.

Piezas compradas por separado: La garantía de las piezas compradas por separado, tales como: bombas, motores, etc., es como sigue:

Desde la fecha de compra

- Todas las bombas de una y dos etapas: 1 año
- Motores eléctricos de inducción: 90 días
- Bomba/motor eléctrico universal: 30 días
- Todas las demás piezas: 30 días
- No se emitirá una autorización de devolución para los componentes eléctricos una vez que se hayan instalado.

¿Cómo se obtiene el servicio? Para ser elegible para el servicio bajo esta garantía, debe ser el comprador minorista original y proporcionar un comprobante de compra de uno de los concesionarios, distribuidores o tiendas minoristas del fabricante. Los compresores de aire portátiles o sus componentes deben entregarse o enviarse al centro de servicio autorizado más cercano. Todos los costos de flete y gastos de viaje asociados deben ser asumidos por el consumidor. Llame a nuestro número gratuito 1-888-895-4549 para obtener ayuda.

ESTA GARANTÍA LE OTORGA DERECHOS LEGALES ESPECÍFICOS, Y TAMBIÉN PUEDE TENER OTROS DERECHOS QUE VARIAN DE ESTADO A ESTADO.

EL FABRICANTE NO OFRECE NINGUNA OTRA GARANTÍA O REPRESENTACIÓN DE NINGÚN TIPO, EXPRESA O IMPLÍCITA, EXCEPTO LA DEL TÍTULO. TODAS LAS GARANTÍAS IMPLÍCITAS, INCLUYENDO CUALQUIER GARANTÍA DE COMERCIABILIDAD Y APTITUD PARA UN PROPÓSITO PARTICULAR, SE RECHAZAN POR LA PRESENTE. LA RESPONSABILIDAD POR DAÑOS CONSECUTIVOS E INCIDENTALES BAJO CUALQUIER Y TODAS LAS GARANTÍAS,

OTROS CONTRATOS, NEGLIGENCIA U OTRAS CONDICIONES ESTÁ EXCLUIDA EN LA MEDIDA EN QUE LA LEY LO PERMITA.

REEMPLAZO GRATUITO DE LA ETIQUETA DE

ADVERTENCIA: Si tus etiquetas de advertencia se vuelven ilegibles o se pierden, llama al 1-888-895-4549 para obtener un reemplazo gratuito.



GLOSARIO

CFM: Pies cúbicos por minuto.

SCFM: Pies cúbicos estándar por minuto; una unidad de medida de suministro de aire.

PSI: Libras por pulgada cuadrada; una unidad de medida de presión.

Presión de arranque: Punto de baja presión establecido en fábrica en que arranca el compresor de aire para represarizar el tanque a una presión más alta.

Presión de corte: Punto de alta presión establecido en fábrica que evita que el compresor de aire aumente la presión en el tanque por encima de cierto nivel.

Bien ventilado: Un medio para proporcionar aire fresco a cambio de escapes o vapores peligrosos.

Circuito especializado: Un circuito eléctrico reservado para el uso exclusivo del compresor de aire.

ASME: American Society of Mechanical Engineers. Indica que los componentes se fabrican, prueban e inspeccionan según las especificaciones establecidas por la ASME.

Grupo CSA (USA): Indica que el producto se probó y cumplió con los requisitos de certificación de UL ANSI/UL 1450



Grupo CSA (CAN/USA): Indica que el producto se probó y cumplió con los requisitos de certificación de Canadian Standards Associate CSA C22.2 No. 68 y UL ANSI/UL 1450



Código de California: La unidad puede cumplir con el Código de California 462 (I) (2)/ (M) (2). La etiqueta de especificación/modelo se encuentra en el costado del tanque en las unidades que cumplen con el Código de California.

Guía de solución de problemas

Esta sección proporciona una lista de las fallas más frecuentes, sus causas y acciones correctivas. El operador o el personal de mantenimiento pueden realizar algunas acciones correctivas, y otras pueden requerir la asistencia de un técnico calificado de DEWALT o de tu distribuidor.

Problema	Código
Fugas de aire	1
Fugas de aire en el tanque o en las soldaduras del tanque	2
Fugas de aire entre la cabeza y la placa de la válvula	3
Fugas de aire de la válvula de seguridad	4
El compresor de aire no suministra suficiente aire para operar los accesorios	1,5,6,7,9,10 13, 19, 20, 21, 23, 24, 25, 26, 27
Toma de aire restringida	9
Aceite en el aire de descarga	19
Ruido de golpeteo	10,11,12,13,14
Desgaste excesivo de la correa	10,11,14,15
Sonido chirriante	10
Humedad en el cárter de la bomba	1,3,8,17,18,19,20,21,22
Consumo de corriente excesivo	14,23,24,25
El compresor de aire no arranca en temperaturas frías	17,31,32
Se para el compresor de aire	25,26,27
Sobrecalentamiento	23,24,25,29,30

Códigos de solución de problemas

Código	Posible causa	Solución posible
1	Los acoples no están apretados.	Aprieta los acoples donde se pueda escuchar el escape del aire. Revisa los acoples con una solución de agua jabonosa. NO APRETAR DEMASIADO.
2	Tanque defectuoso.	El tanque debe ser reemplazado. No repares la fuga. ▲PELIGRO: Riesgo de explosión. No taladres, sueldes ni modifiques el tanque de otra manera o se debilitará. El tanque puede romperse o explotar.
3	Sellos con fugas.	Contacta a un centro de servicio de fábrica de DEWALT o un centro de servicio autorizado de DEWALT.
4	Válvula de seguridad defectuosa	Opera la válvula de seguridad manualmente jalando el anillo. Si la válvula todavía tiene fugas, debe reemplazarse.
5	Uso excesivo prolongado de aire.	Disminuye la cantidad de uso de aire.
6	El compresor de aire no es lo suficientemente grande para el accesorio.	Verifica el requerimiento de aire del accesorio. Si es más alto que el SCFM o la presión suministrada por tu compresor de aire, se necesita un compresor de aire más grande para operar el accesorio.
7	Orificio en la manguera de aire.	Revisa la manguera de aire, reemplázala si es necesario.

Código	Posible causa	Solución posible
8	Funcionamiento en condiciones húmedas o mojadas.	Mueve la unidad a un área seca y bien ventilada.
9	Filtro de entrada de aire obstruido.	Limpia o reemplaza el filtro de entrada de aire.
10	Correa suelta.	Comprueba la tensión de la correa, consulta Ajuste de la tensión de la correa en Mantenimiento , página 22.
11	Polea suelta.	Aprieta el tornillo de fijación de la polea, aprieta a 120-130 plg-lb (13.6-14.7 Nm).
12	Volante flojo.	Aprieta el tornillo del volante, aprieta a 20-24 pies-lb (27-32 Nm).
13	Acumulación de carbono en la bomba.	Contacta a un centro de servicio de fábrica de DEWALT o un centro de servicio autorizado de DEWALT.
14	Correa demasiado apretada	Comprueba la tensión de la correa, consulta Ajuste de la tensión de la correa en Mantenimiento , página 22.
15	Desalineación de la polea.	Consulta Alineación de la polea del motor/volante en Mantenimiento , página 22.
16	El aceite de la bomba está bajo.	Agrega aceite de compresor de aire completamente sintético, sin detergente, a la bomba. Consulta Aceite de bomba de compresor de aire en Mantenimiento , página 21.
17	Se está utilizando aceite tipo detergente en la bomba.	Drena el aceite y vuelve a llenar la bomba con aceite completamente sintético sin detergente para compresores de aire.

Código	Posible causa	Solución posible
18	Ciclos de trabajo muy ligeros.	Ejecuta ciclos de trabajo más largos.
19	Aros de pistón dañados o desgastados.	Contacta a un centro de servicio de fábrica de DEWALT o un centro de servicio autorizado de DEWALT.
20	Cilindro o pistón dañado o desgastado.	Contacta a un centro de servicio de fábrica de DEWALT o un centro de servicio autorizado de DEWALT.
21	Acabado del cilindro del compresor de aire desgastado.	Contacta a un centro de servicio de fábrica de DEWALT o un centro de servicio autorizado de DEWALT.
22	Agua en el aceite de la bomba.	Drena el aceite y vuelve a llenar la bomba con aceite completamente sintético sin detergente para compresores de aire.
23	Bajo voltaje/sobrecarga del motor.	Verifica que el suministro de energía sea adecuado y que el compresor de aire esté en un circuito especializado. Si el compresor de aire está conectado a un circuito protegido por un fusible, usa solo fusibles de retardo de tiempo.
24	Pasos de aire restringidos.	Inspecciona y reemplaza los tubos de transferencia o la válvula de retención, según sea necesario.
25	Motor de baja tensión.	Suministra la potencia adecuada.
26	Válvula de retención defectuosa.	Reemplaza la válvula de retención.

Código	Posible causa	Solución posible
27	Bomba agarrotada.	Contacta a un centro de servicio de fábrica de DEWALT o un centro de servicio autorizado de DEWALT.
28	Nivel de aceite demasiado alto.	Reducir al nivel adecuado. Consulta Aceite de bomba de compresor de aire en Mantenimiento , página 21.
29	Ventilación deficiente.	Reubica el compresor de aire en un área con aire fresco, seco y buena circulación, al menos a 12 pulgadas de la pared más cercana.
30	Superficies de enfriamiento sucias.	Limpiamos todas las superficies de enfriamiento.
31	Demasiada contrapresión en el tanque.	Abre la válvula de drenaje cuando arranques el motor.
32	Compresor de aire demasiado frío.	Mueve el compresor de aire a un lugar más cálido.



*For product, service or warranty information contact us at:
Para el producto, servicio o información sobre la garantía contacte con nosotros en:
Pour les produits, services ou informations sur la garantie nous contacter à:*

1-888-895-4549

www.DEWALT.com

MAT Industries, LLC, Long Grove, IL 60047

Copyright © 2023 DEWALT. DEWALT® and the DEWALT Logo are trademarks of the DEWALT Industrial Tool Co., or an affiliate thereof and are used under license.

Copyright © 2023 DEWALT. DEWALT® y el logo de DEWALT son marcas registradas de DEWALT Industrial Tool Co. o una empresa filial, y se utilizan bajo licencia.

Copyright © 2023 DEWALT. DEWALT® et le logo de DEWALT sont des marques déposées de DEWALT Industrial Tool Co. ou une société affiliée et sont utilisés sous licence.

The yellow/black color scheme is a trademark for DEWALT power tools & accessories.

El gráfico de color negro y amarillo es una marca registrada para las herramientas eléctricas y los accesorios de DEWALT.

L'agencement de couleurs jaune et noir est une marque de commerce des outils électriques et accessoires DEWALT.