

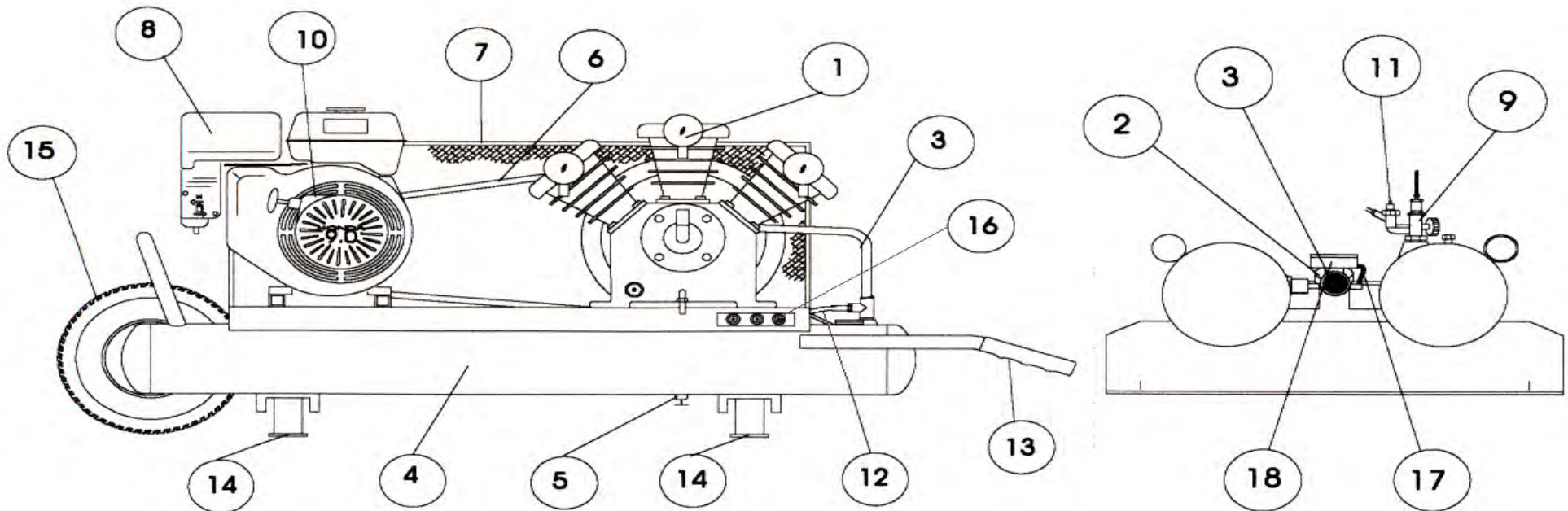
Eagle Air Compressor part breakdown sheet - Twin Tank Gas

Item	Description	TT55G	TT55GE	TT90G	TT90GE
1	Compressor w/ Flywheel	PV02A	PV02A	PT03A	PT03A
	Discharge Tube w/ Fittings	TU-25-AL	TU-25-AL	TU-25-AL	TU-25-AL
2	Pressure Gauge (Tank)	PG200-2.5SI1/4	PG200-2.5SI1/4	PG200-2.5SI1/4	PG200-2.5SI1/4
3	Regulator	R202-1/4	R202-1/4	R202-1/4	R202-1/4
4	Air Receiver	10TT41X5-B	10TT41X5-B	10TT41X5-B	10TT41X5-B
5	Drain Cock (2)	DC1/4	DC1/4	DC1/4	DC1/4
6	V-Belt	A49	A49	A54	A54
7	Belt Guard	TT-GUARD	TT-GUARD	TT-GUARD	TT-GUARD
8	Engine - Honda	GX160K1QX6	GX160JQE6	GX270QA6	GX270QAE
9	Pilot Unloader w/ Check Valve	LMV100F	LMV100F	LMV100F	LMV100F
10	Pulley - Engine	MAL37	MAL37	MAL37	MAL37
	Pulley Bushing - Engine	LX3/4	LX3/4	LX1	LX1
11	Safety Valve	PSV1/4-150	PSV1/4-150	PSV1/4-150	PSV1/4-150
12	Engine Control w/ Cable	TCP-48	TCP-48	TCLP-48	TCLP-48
13	Handle Grip	TT-GRIP (2)	TT-GRIP (2)	TT-GRIP (2)	TT-GRIP (2)
14	Vibration Damper	TT-FOOT (4)	TT-FOOT (4)	TT-FOOT (4)	TT-FOOT (4)
15	Pneumatic Wheel	TT-WHEEL	TT-WHEEL	TT-WHEEL	TT-WHEEL
	Axle	WA1001	WA1001	WA1001	WA1001
16	Coupler	CPL-DUO	CPL-DUO	CPL-TRI	CPL-TRI
17	Hose Assembly - Regulator	TT-HOSE	TT-HOSE	TT-HOSE	TT-HOSE
18	Pressure Gauge (Regulator)	PT0160	PT0160	PT0160	PT0160
	Eagle Compressor Oil	EAOIL10	EAOIL10	EAOIL10	EAOIL10

MODELS  
 TT55G  
 TT55G-P  
 TT55GE  
 TT90G  
 TT90G-P  
 TT90GE



\* For TT55G-P - substitute part #12 for TCSP-H-5565 \* For TT90G-P - substitute part #12 for TSCP-H-0811

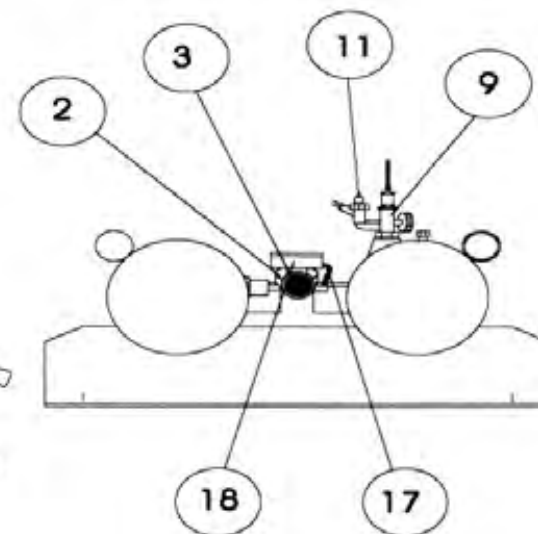
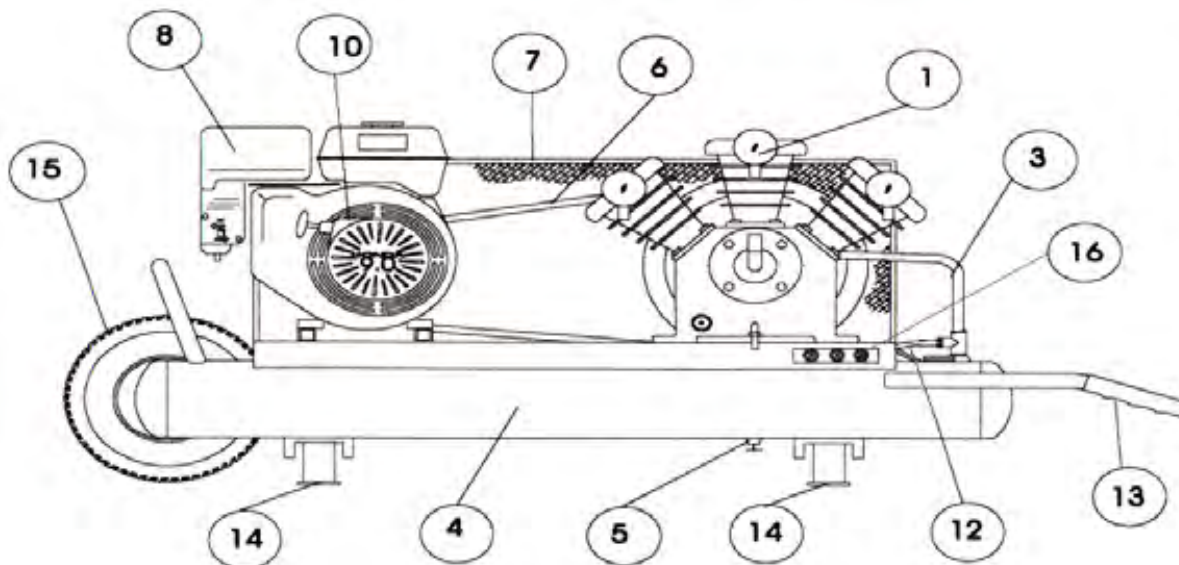


### Eagle Air Compressor part breakdown sheet - TT90GE

Item	Description	TT90GE
1	Compressor w/ Flywheel	PT03A
	Discharge Tube w/ Fittings	TU-23-AL
2	Pressure Gauge (Tank)	PG200-2.5SI1/4
3	Regulator	R202-1/4
4	Air Receiver	10TT41X5-B
5	Drain Cock (2)	DC1/4
6	V-Belt	A54
7	Belt Guard	TT-GUARD
8	Engine - Honda	GX270QAE
9	Pilot Unloader w/ Check Valve	LMV100F
10	Pulley - Engine	MAL37
	Pulley Bushing - Engine	LX1
11	Safety Valve	PSV1/4-150
12	Engine Control w/ Cable	TCLP-48
13	Handle Grip	TT-GRIP (2)
14	Vibration Damper	TT-FOOT (4)
15	Pneumatic Wheel	TT-WHEEL
	Axle	WA1001
16	Coupler	CPL-TRI
17	Hose Assembly - Regulator	TT-HOSE
18	Pressure Gauge (Regulator)	PT0160
	Eagle Compressor Oil	EAOIL10



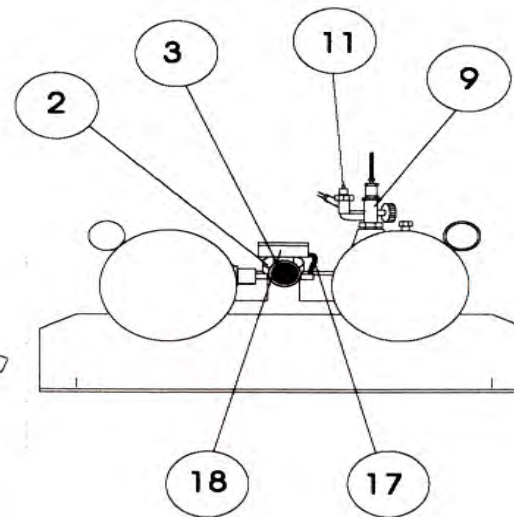
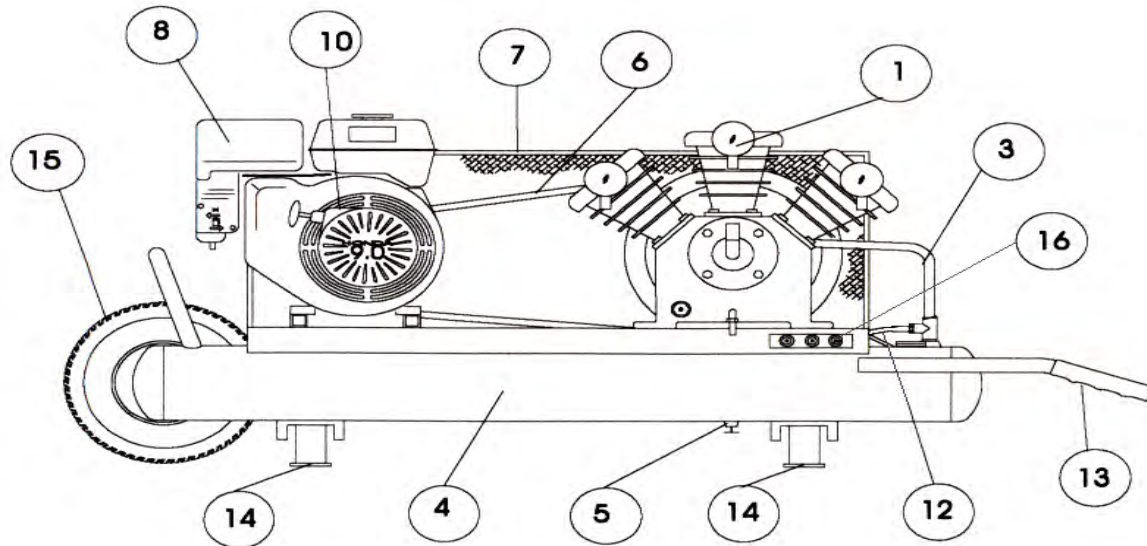
Call 1-800-551-2406 for the Customer Service Department.



**TT90GE**

### Eagle Air Compressor part breakdown sheet - TT90G

Item	Description	TT90GE
1	Compressor w/ Flywheel	PT03A
	Discharge Tube w/ Fittings	TU-23-AL
2	Pressure Gauge (Tank)	PG200-2.5SI1/4
3	Regulator	R202-1/4
4	Air Receiver	10TT41X5-B
5	Drain Cock (2)	DC1/4
6	V-Belt	A54
7	Belt Guard	TT-GUARD
8	Engine - Honda	GX270UT1QA2-R
9	Pilot Unloader w/ Check Valve	LMV100F
10	Pulley - Engine	MAL37
	Pulley Bushing - Engine	LX1
11	Safety Valve	PSV1/4-150
12	Engine Control w/ Cable	TCLP-48
13	Handle Grip	TT-GRIP (2)
14	Vibration Damper	TT-FOOT (4)
15	Pneumatic Wheel	TT-WHEEL
	Axle	WA1001
16	Coupler	CPL-TRI
17	Hose Assembly - Regulator	TT-HOSE
18	Pressure Gauge (Regulator)	PT0160
	Eagle Compressor Oil	EAOIL10



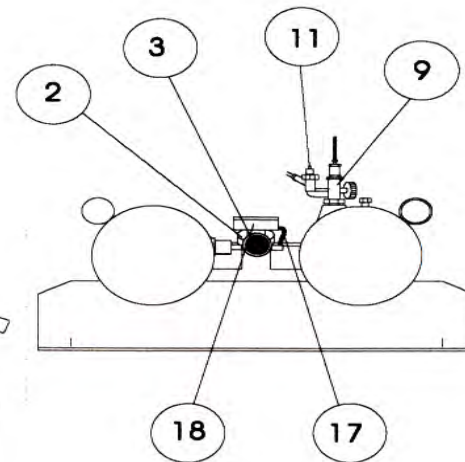
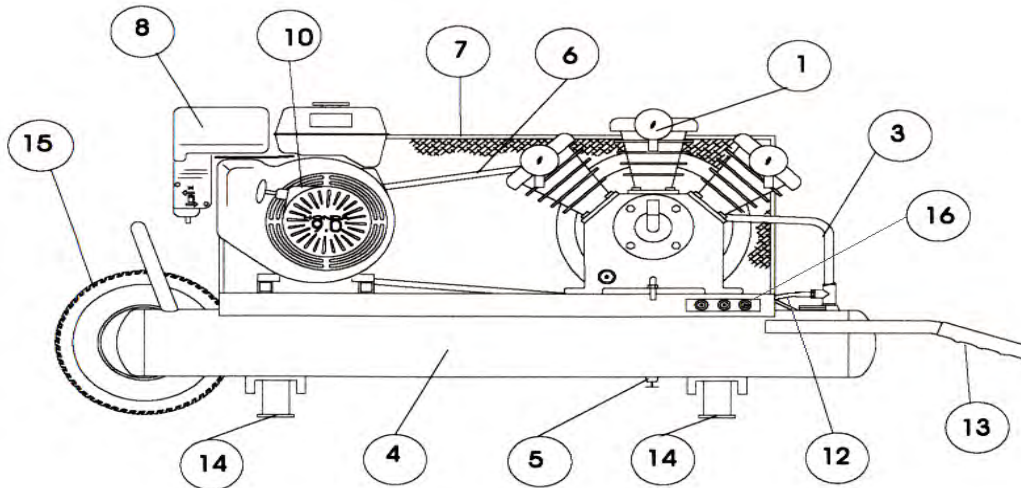
**TT90G**

## Eagle Air Compressor part breakdown sheet - TT55GE

Item	Description	TT55GE
1	Compressor w/ Flywheel	PV02A
	Discharge Tube w/ Fittings	TU-23-AL
2	Pressure Gauge (Tank)	PG200-2.5SI1/4
3	Regulator	R202-1/4
4	Air Receiver	10TT41X5-B
5	Drain Cock (2)	DC1/4
6	V-Belt	A49
7	Belt Guard	TT-GUARD
8	Engine - Honda	GX160JQE6
9	Pilot Unloader w/ Check Valve	LMV100F
10	Pulley - Engine	MAL37
	Pulley Bushing - Engine	LX3/4
11	Safety Valve	PSV1/4-150
12	Engine Control w/ Cable	TCP-48
13	Handle Grip	TT-GRIP (2)
14	Vibration Damper	TT-FOOT (4)
15	Pneumatic Wheel	TT-WHEEL
	Axle	WA1001
16	Coupler	CPL-DUO
17	Hose Assembly - Regulator	TT-HOSE
18	Pressure Gauge (Regulator)	PT0160
	Eagle Compressor Oil	EAOIL10



Call 1-800-551-2406 for the Customer Service Department.



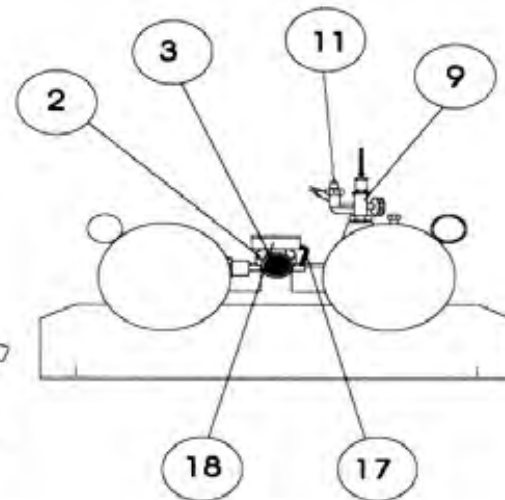
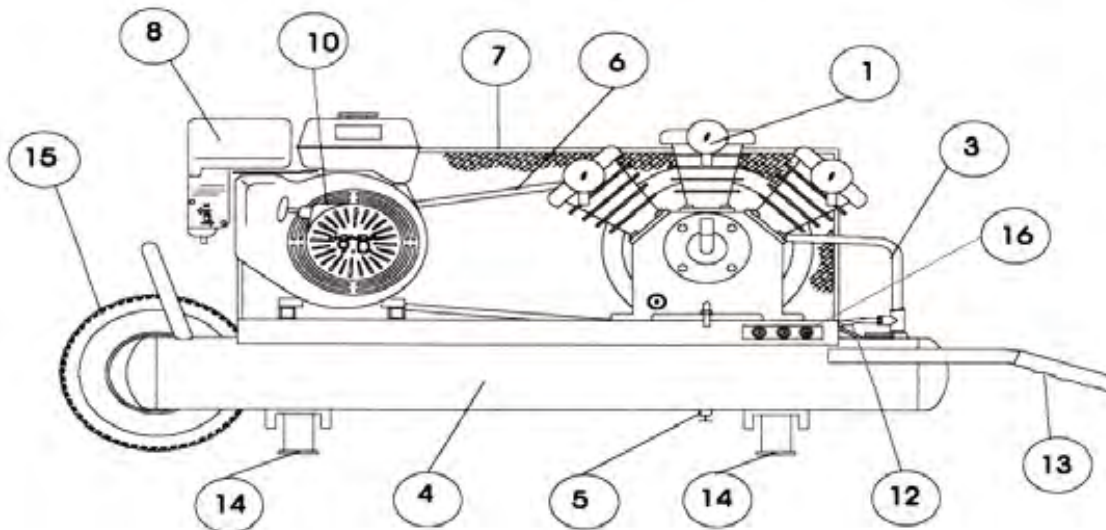
**TT55GE**

### Eagle Air Compressor part breakdown sheet - TT55G

Item	Description	TT55G
1	Compressor w/ Flywheel	PV02A
	Discharge Tube w/ Fittings	TU-23-AL
2	Pressure Gauge (Tank)	PG200-2.5SI1/4
3	Regulator	R202-1/4
4	Air Receiver	10TT41X5-B
5	Drain Cock (2)	DC1/4
6	V-Belt	A49
7	Belt Guard	TT-GUARD
8	Engine - Honda	GX160K1QX6
9	Pilot Unloader w/ Check Valve	LMV100F
10	Pulley - Engine	MAL37
	Pulley Bushing - Engine	LX3/4
11	Safety Valve	PSV1/4-150
12	Engine Control w/ Cable	TCP-48
13	Handle Grip	TT-GRIP (2)
14	Vibration Damper	TT-FOOT (4)
15	Pneumatic Wheel	TT-WHEEL
	Axle	WA1001
16	Coupler	CPL-DUO
17	Hose Assembly - Regulator	TT-HOSE
18	Pressure Gauge (Regulator)	PT0160
	Eagle Compressor Oil	EAOIL10



Call 1-800-551-2406 for the Customer Service Department.



**TT55G**