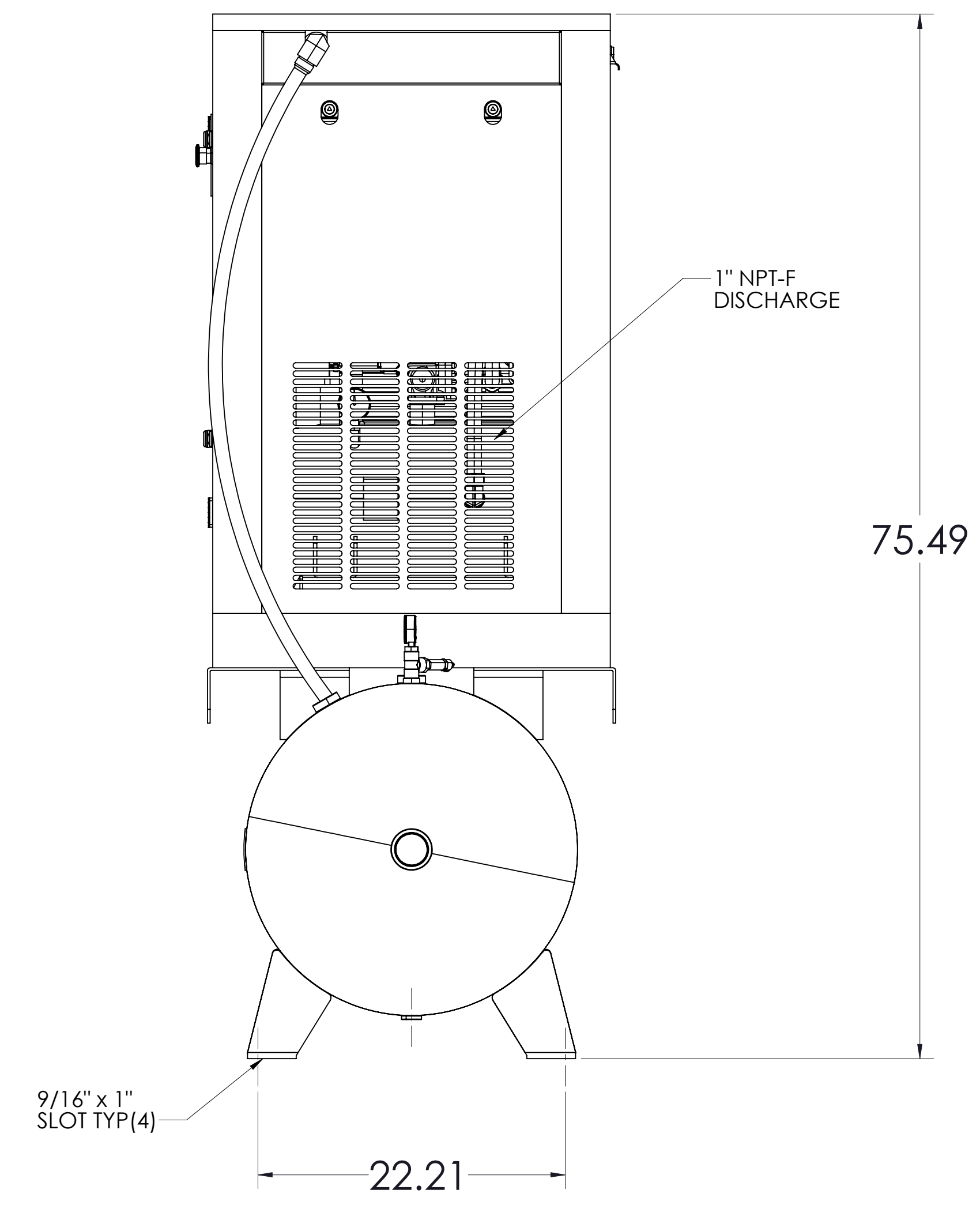
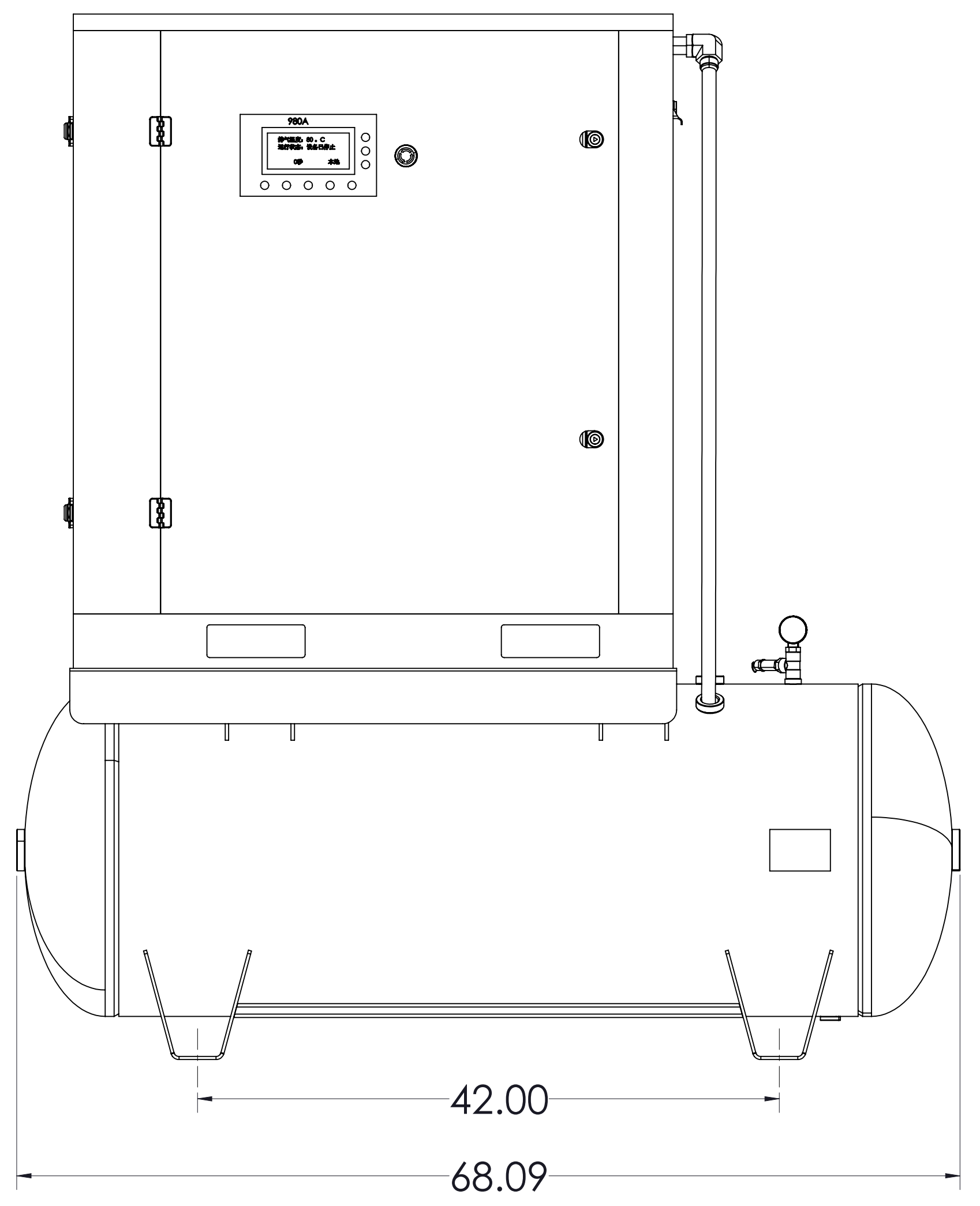
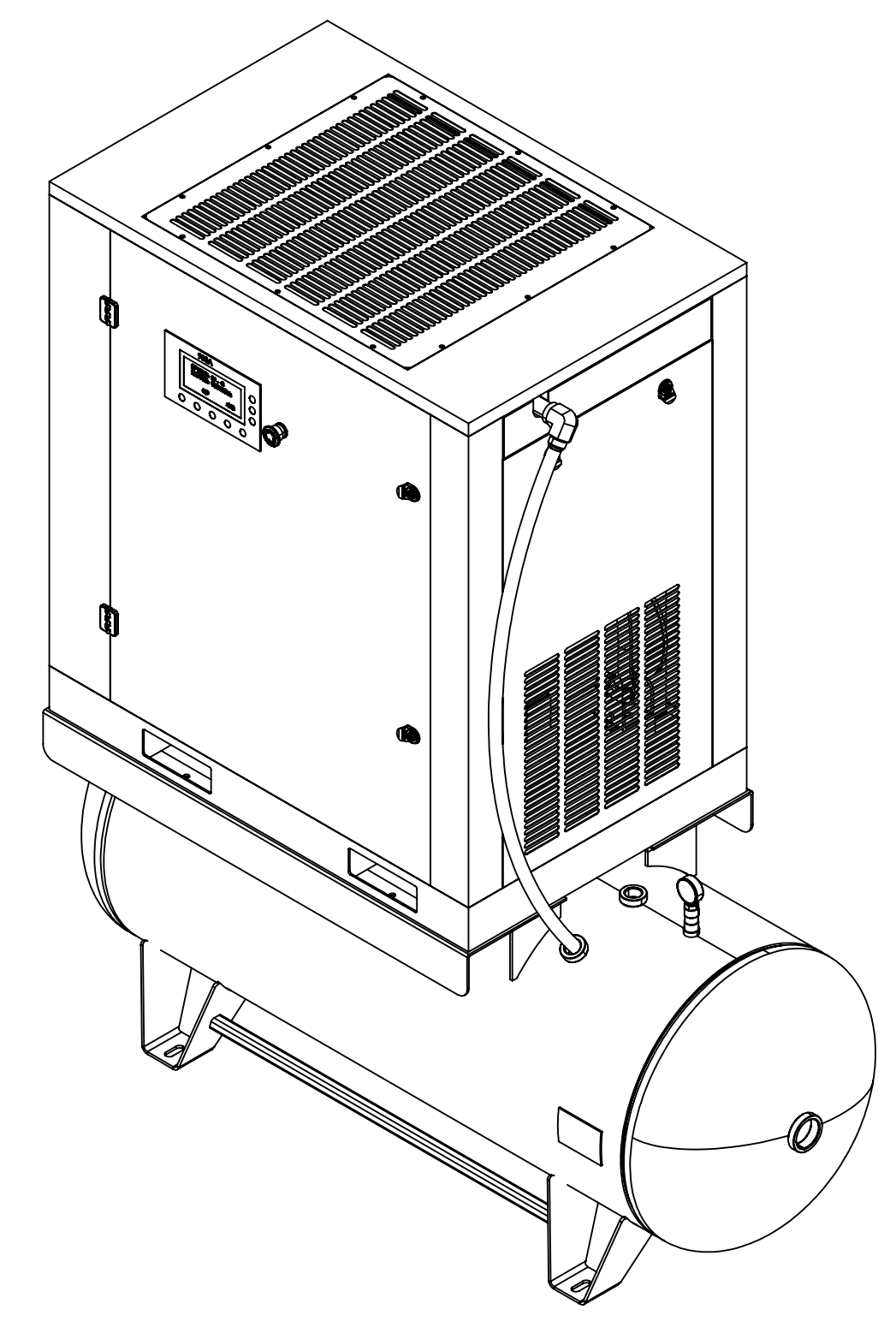
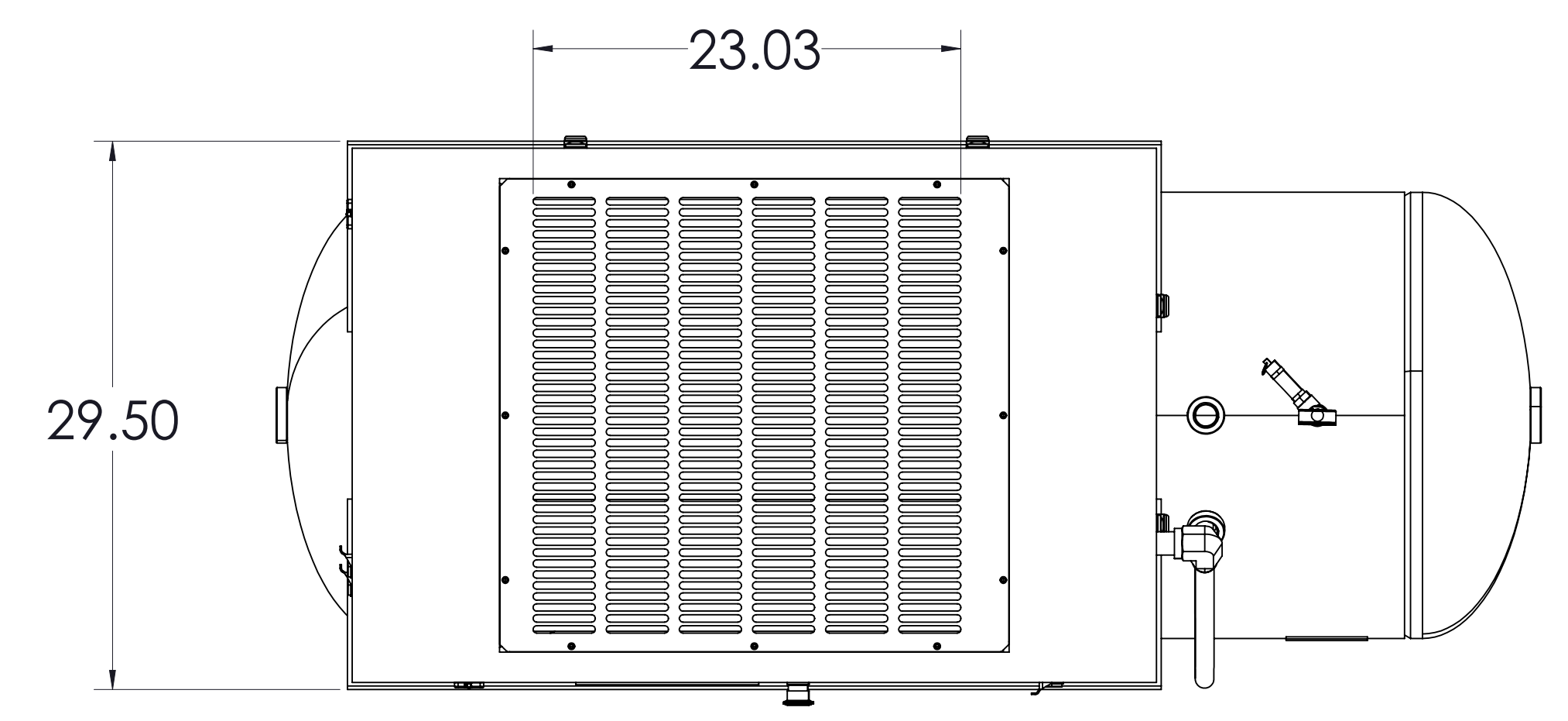


8 7 6 5 4 3 2 1

ZONE		REV.	DESCRIPTION	DATE	APVD



<p>KAISHAN</p> <p>PROPRIETARY AND CONFIDENTIAL</p> <p>THE INFORMATION CONTAINED IN THIS DRAWING IS THE SOLE PROPERTY OF KAISHAN COMPRESSOR. ANY REPRODUCTION IN PART OR AS A WHOLE WITHOUT THE WRITTEN PERMISSION OF KAISHAN COMPRESSOR IS PROHIBITED.</p>	<p>UNLESS OTHERWISE SPECIFIED:</p> <p>DIMENSIONS ARE IN IN</p> <p>TOLERANCES:</p> <p>SURFACE FINISH 3.2</p> <p>ANGULAR: MACH 5</p> <p>BEND ± .75</p> <p>TWO PLACE DECIMAL ± 0.25</p> <p>THREE PLACE DECIMAL ± 0.130</p> <p>INTERPRET GEOMETRIC TOL. (FRANCING PER. ANSI Y14.5 MATERIAL)</p>	<table border="1"> <tr> <th>NAME</th> <th>DATE</th> </tr> <tr> <td>DRAWN AKF</td> <td>12/9/22</td> </tr> <tr> <td>CHECKED</td> <td></td> </tr> <tr> <td>APPR.</td> <td></td> </tr> </table>	NAME	DATE	DRAWN AKF	12/9/22	CHECKED		APPR.		<p>Kaishan Compressor USA, LLC</p> <p>TITLE:</p> <p>KRSBT20-25-30 NO DRYER</p>
	NAME	DATE									
DRAWN AKF	12/9/22										
CHECKED											
APPR.											
<p>FINISH</p> <p>3RD ANGLE PROJECTION</p> <p>1ST USED ON:</p>	<p>SCALE: 1:20</p> <p>WGT: 1679.36kg</p>	<p>SIZE DWG. NO. REV</p> <p>D 180001-010 B</p>	<p>SHEET 1 OF 1</p>								

8 7 6 5 4 3 2 1