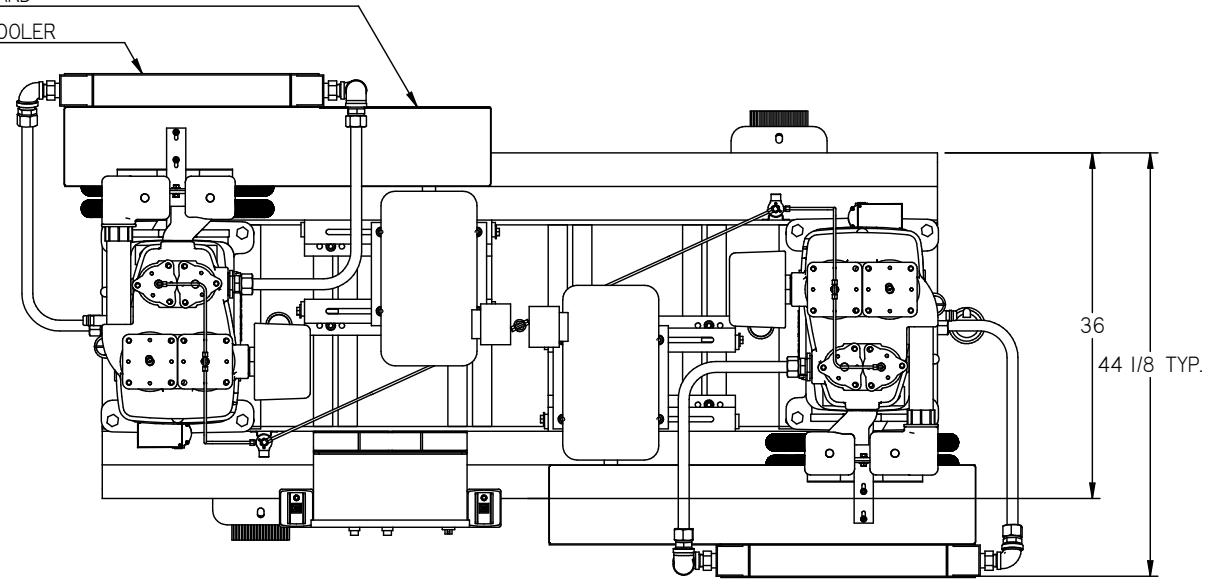
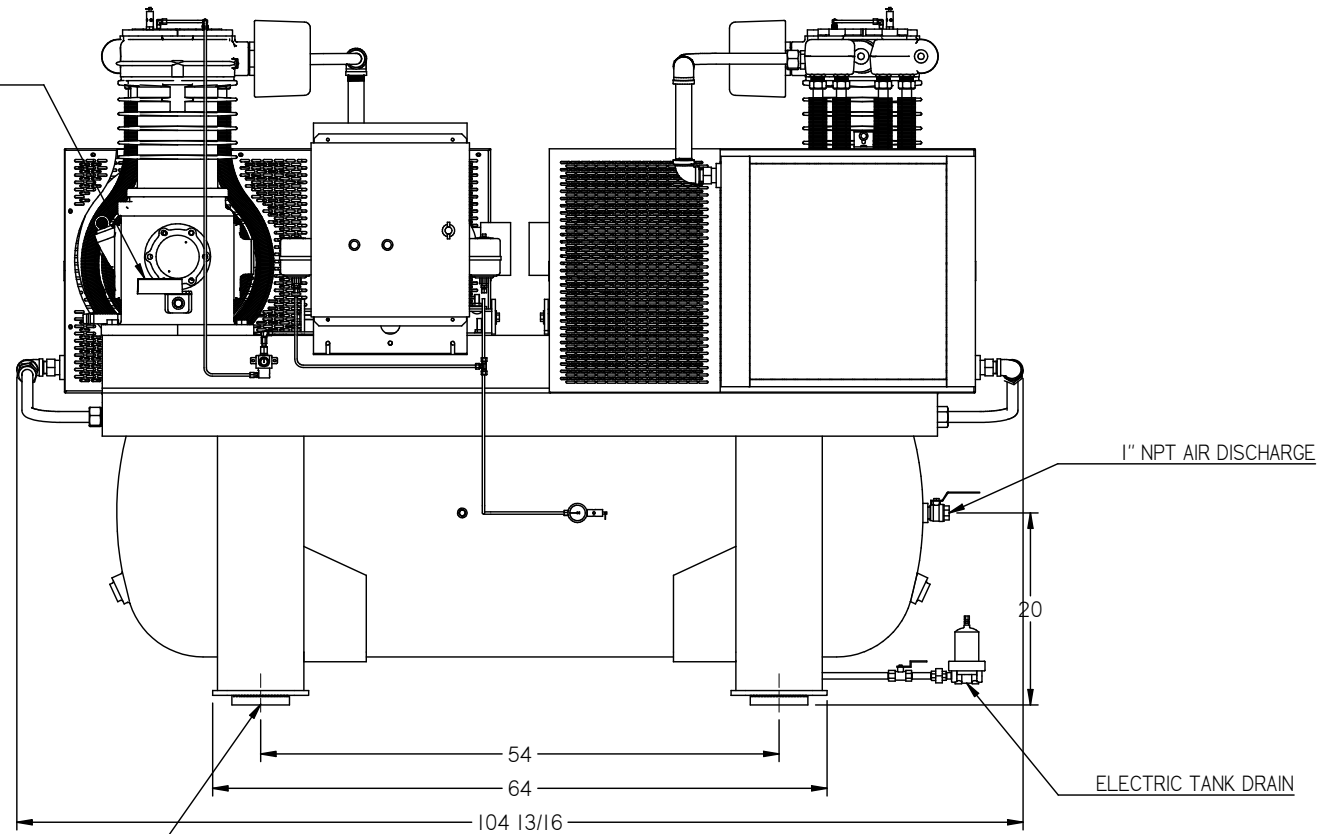


BELT GUARD
AFTER COOLER



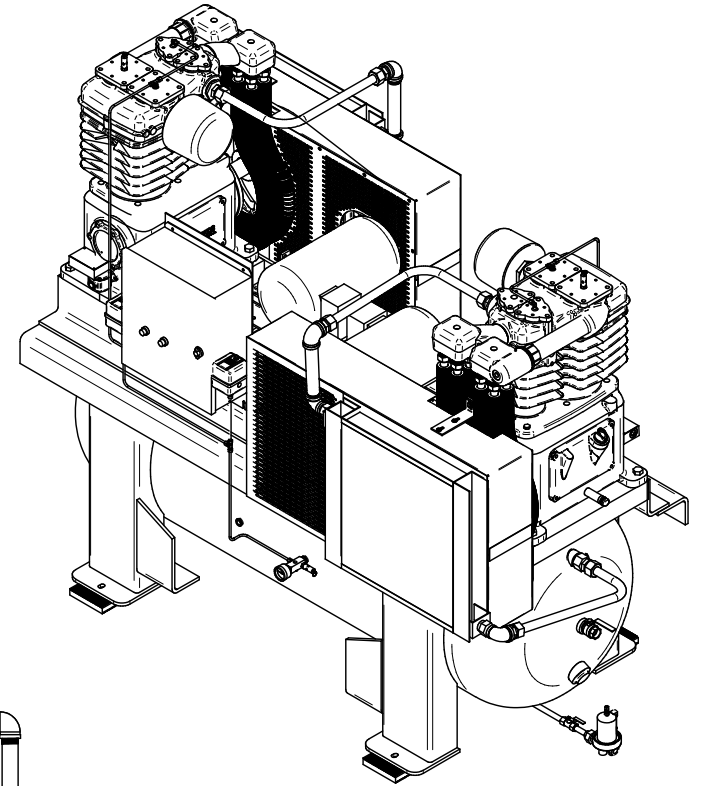
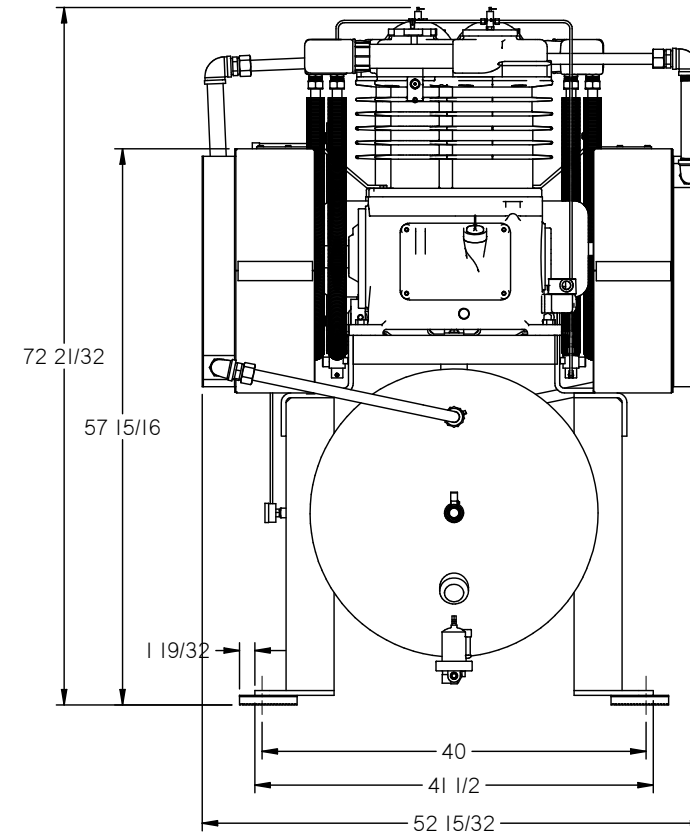
LOW OIL GUARD



SLOT - 4 PLACES
11/16" X 1 1/16" LG

1" NPT AIR DISCHARGE

ELECTRIC TANK DRAIN

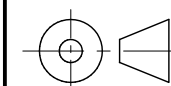


NOTE:
1- 36" REQUIRED FROM EACH SIDE FOR SERVICE.
2- DIMENSIONS NOT CERTIFIED UNLESS SIGNED:
BY: _____ DATE: _____

REQ	ASSEMBLY	MODEL
MATERIAL		
FINISH		
HEAT TREAT		

THE INFORMATION ON THIS DRAWING IS PROPRIETARY AND CONFIDENTIAL AND SHALL NOT BE DISCLOSED OR DUPLICATED WITHOUT CONSENT OF CURTIS-TOLEDO, INC.

US - Third Angle



TOLERANCE UNLESS NOTED
DECIMALS xx = ±.010; xxx = ±.005
FRACTIONS
FORMED OR CAST = ± 1/32
MACHINED = ± 1/64
ANGULAR AND PARALLELISM
FORMED OR CAST = ± 5°
MACHINED = ± 1° √
SURFACE FINISH
REMOVE ALL BURRS
DO NOT SCALE DRAWING

03/22/13	13136	A	NEW RELEASE	AG	-
DATA	CHG	SYM	REVISION	BY	APP



FSCURTIS

www.fscurtis.com

PART NAME ML 25, DUPLEX, ULTRA PACK, 240 GAL
GENERAL ARRANGEMENT

DRN AG CHK - SCALE 1:20 NEXT ASSEMBLY

DATE 03/22/13 SHEET 1 of 1 NO. CA3308