

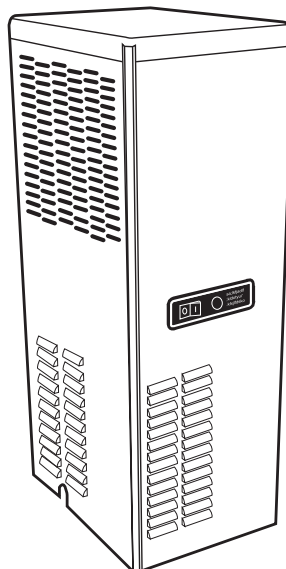


# RNH SERIES

HIGH TEMPERATURE REFRIGERATED DRYERS

## OPERATOR MANUAL

RNH20    RNH25    RNH35  
RNH50    RNH75    RNH100  
RNH125



### **WARNING**

Personal injury and/or equipment damage will result by failing to pay attention to the vital safety information and instructions in this manual. Carefully read, understand, and retain all safety information and instructions before operating this compressor.

## GENERAL SAFETY INFORMATION

### **▲ CAUTION**

#### **1. Pressurized devices**

This equipment is a pressure containing device.

- Do not exceed maximum operating pressure as shown on equipment serial number tag.
- Make certain equipment is depressurized before servicing.

#### **2. Electrical**

This equipment requires electricity to operate.

- Install equipment in compliance with national and local electrical codes.
- Standard equipment is supplied with NEMA 1 electrical enclosures and is not intended for installation in hazardous environments.
- Disconnect power supply to equipment when performing any electrical service work.

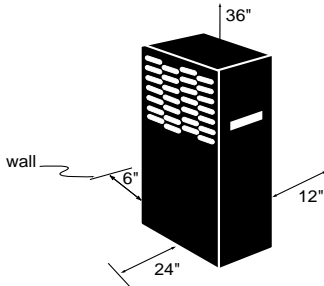
#### **3. Breathing air**

- Air treated by this equipment may not be suitable for breathing without further purification. Refer to OSHA standard 1910.134 for the requirements for breathing quality air.

# 1.0 INSTALLATION

## 1.1 Location

- A. Air compressor intake - Locate air compressor so that contaminants potentially harmful to the dryer are not drawn into the air system.
- B. Free air flow - Do not block either side of the cabinet. Observe minimum installation clearances as shown.



## 1.2 Mounting

Dryer is suitable for floor or shelf mounting.

## 1.3 Piping connections



- A. Air Inlet - Connect compressed air line from air compressor to air inlet using strainer supplied.

1. Install strainer (included in shipping carton) prior to dryer inlet using pipe nipple supplied or other piping as required.

NOTE: Observe flow direction arrows on strainer.

NOTE: Install strainer where it is easily accessible for cleaning.

NOTE: Use vibration dampener, if vibration exists in air line at inlet to dryer.

- 2. Location in the compressed air system

- A. **WARNING** Maximum working pressure - 250 psig, 17.6 kgf/cm<sup>2</sup>. Do not exceed unit's Maximum Working Pressure.

- 1) For maximum capacity, install unit in air system at highest pressure possible (e.g. before pressure reducing valves)
- 2) For maximum capacity, install unit at coolest compressed air temperature possible. Maximum inlet compressed air temperature: 180°F, 82°C. If inlet air exceeds this temperature, precool the air by extending the piping between the compressor and the dryer.

- B. Air Outlet - Connect air outlet to downstream air lines.
- C. By-pass piping - If servicing the unit without interrupting the air supply is desired, piping should include inlet and outlet isolation valves and an air by-pass valve.
- D. Condensate drain - It is advisable to connect drain outlet to the condensate drainage system.

NOTE: Drain discharge is at system pressure. Drain line should be anchored to prevent whipping.

## 1.4 Electrical connections

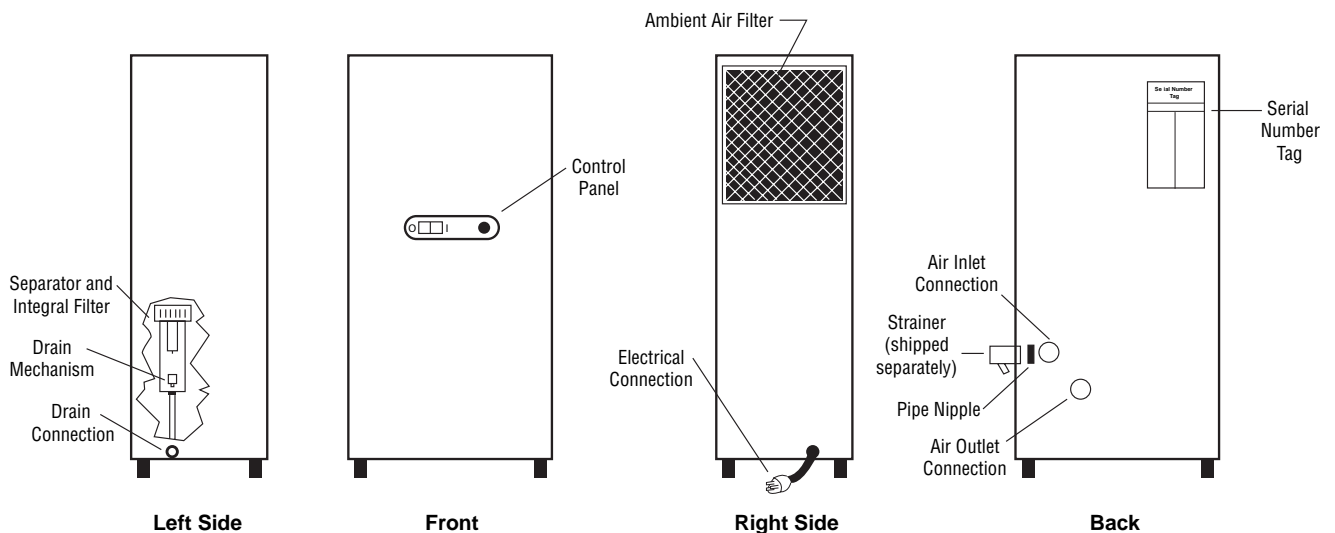
- A. Dryer is designed to operate on power supply (voltage) listed on serial number tag located on the back of the dryer.
- B. Dryer is supplied with an electrical cord. Install in receptacle of proper voltage.

NOTE: Models 50 and 75 (115v only) - Install plug in receptacle rated for 20 amps. Units are supplied with 20 amp plug.



Plug

NOTE: Refrigeration system is designed to run continuously and should NOT be wired to cycle on/off with the air compressor.



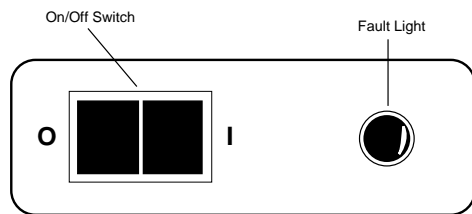
## 2.0 OPERATION

NOTE: Installations above 6000 feet, 1825 meters. Unit is adjusted to operate in altitudes up to 6000 feet, 1825 meters. If unit is installed in an altitude above this, and has not been preset at the factory for this altitude, contact Manufacturer's Service Department.

### 2.1 Start-up

Start refrigeration system by pushing the on/off switch to the ON position (depress rocker switch on side marked "I").

NOTE: The fault light may illuminate when unit is energized. Light should go out approximately 5 minutes after start-up. If light remains lit after 30 minutes or illuminates after going out, refer to Troubleshooting Guide.



Control Panel

### 2.2 Operating check points

Check the following on a periodic basis:

- Rocker switch is in the ON position.
- Amber fault light is out.
- Condensate is being regularly discharged.

### 2.3 Minimum/maximum operating conditions

- Minimum/Maximum air pressure: 20/250 psig, 1.4/17.6 kgf/cm<sup>2</sup>
- Maximum inlet air temperature: 180°F, 82°C
- Minimum/Maximum ambient temperature: 40/110°F, 4/43°C

### D. Maximum flow capacity

- For dryers without an aftercooler installed upstream. Flow capacity in scfm (m<sup>3</sup>/min) @ 180°F, 82°C inlet temperature, 160°F, 71°C inlet pressure dew point, 95°F, 35°C ambient temperature, 50°F, 10°C outlet pressure dew point, and less than 5 psi, 0.35 kgf/cm<sup>2</sup> pressure drop.

#### 60 HZ

Inlet Pressure psig (kgf/cm <sup>2</sup> )		175 (12.3)	150 (10.6)	125 (8.8)	100 (7.0)
Model	20	23 (0.65)	22 (0.62)	20 (0.57)	18 (0.51)
	25	29 (0.82)	27 (0.76)	25 (0.71)	23 (0.65)
	35	41 (1.16)	38 (1.08)	35 (0.99)	32 (0.91)
	50	58 (1.64)	54 (1.53)	50 (1.42)	45 (1.27)
	75	87 (2.46)	81 (2.29)	75 (2.12)	68 (1.93)
	100	116 (3.29)	108 (3.06)	100 (2.83)	91 (2.58)
	125	145 (4.12)	135 (3.82)	125 (3.54)	114 (3.23)

#### 50 HZ

Inlet Pressure psig (kgf/cm <sup>2</sup> )		175 (12.3)	150 (10.6)	125 (8.8)	100 (7.0)
Model	20	20 (0.57)	18 (0.51)	17 (0.48)	15 (0.42)
	25	24 (0.68)	23 (0.65)	21 (0.59)	19 (0.54)
	35	31 (0.88)	29 (0.82)	27 (0.76)	24 (0.68)
	50	58 (1.64)	54 (1.53)	50 (1.42)	45 (1.27)
	75	71 (2.01)	66 (1.87)	61 (1.73)	55 (1.56)
	100	97 (2.75)	90 (2.55)	83 (2.35)	76 (2.15)
	125	121 (3.43)	112 (3.17)	104 (2.95)	95 (2.69)

- For dryers with an aftercooler installed upstream. Flow capacity in scfm (m<sup>3</sup>/min) @ 100°F, 38°C inlet temperature, 100°F, 38°C inlet pressure dew point, 100°F, 38°C ambient temperature, 50°F, 10°C outlet pressure dew point, and less than 10 psi, 0.7 kgf/cm<sup>2</sup> pressure drop.

#### 60 HZ

Inlet Pressure psig (kgf/cm <sup>2</sup> )		175 (12.3)	150 (10.6)	125 (8.8)	100 (7.0)
Model	20	32 (0.91)	30 (0.85)	28 (0.79)	25 (0.71)
	25	40 (1.13)	37 (1.05)	34 (0.96)	31 (0.88)
	35	55 (1.56)	51 (1.44)	47 (1.33)	43 (1.22)
	50	78 (2.21)	73 (2.07)	67 (1.90)	61 (1.73)
	75	118 (3.34)	110 (3.12)	102 (2.89)	92 (2.61)
	100	157 (4.45)	146 (4.14)	136 (3.85)	123 (3.48)
	125	197 (5.58)	183 (5.18)	170 (4.82)	155 (4.39)

#### 50 HZ

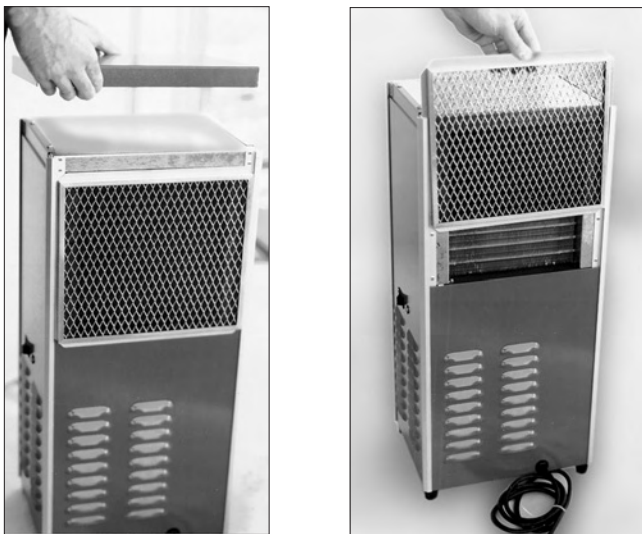
Inlet Pressure psig (kgf/cm <sup>2</sup> )		175 (12.3)	150 (10.6)	125 (8.8)	100 (7.0)
Model	20	27 (0.76)	25 (0.71)	23 (0.65)	21 (0.59)
	25	33 (0.93)	31 (0.88)	29 (0.82)	26 (0.74)
	35	43 (1.22)	40 (1.13)	37 (1.05)	33 (0.93)
	50	78 (2.21)	73 (2.07)	67 (1.90)	61 (1.73)
	75	96 (2.72)	90 (2.55)	83 (2.35)	75 (2.12)
	100	131 (3.71)	122 (3.46)	113 (3.20)	102 (2.89)
	125	164 (4.65)	152 (4.31)	142 (4.02)	129 (3.65)

### 3.0 MAINTENANCE

**CAUTION** DRYER IS A PRESSURE CONTAINING DEVICE. DEPRESSURIZE BEFORE SERVICING.

#### 3.1 Ambient air filter - Clean accumulated dust and dirt from ambient air filter monthly or more often if air flow across the condenser is impeded.

- A. Remove top panel.
- B. Remove ambient air filter by sliding upwards.



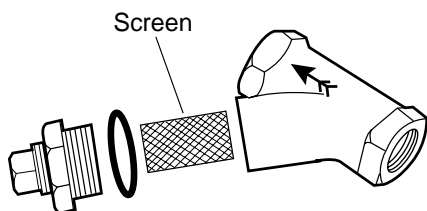
- C. Wash with soap and water and allow to dry before re-installing.

NOTE: Do not use solvents to clean ambient air filter.

- D. Reinstall filter and top panel.

#### 3.2 Inlet strainer - clean inlet strainer monthly or more often if rapid clogging occurs.

- A. Shut-off compressed air supply to the strainer and depressurize.
- B. Remove screen and clean or replace.
- C. Reinstall.



#### 3.3 Replace separator/filter element yearly or more often if pressure drop across the dryer is excessive.

- A. Shut-off compressed air supply to the dryer and depressurize.
- B. Remove top panel.
- C. Remove two screws holding side panel and remove side panel by sliding upwards.
- D. Disconnect drain tube from bulkhead fitting in cabinet base. To remove, press the plastic collar in, toward the fitting, while pulling the tube out of the fitting.
- E. Remove bowl - push bowl up, turn bowl 1/8th turn to your left, and pull straight down.
- F. Clean filter bowl.
- G. Replace element.



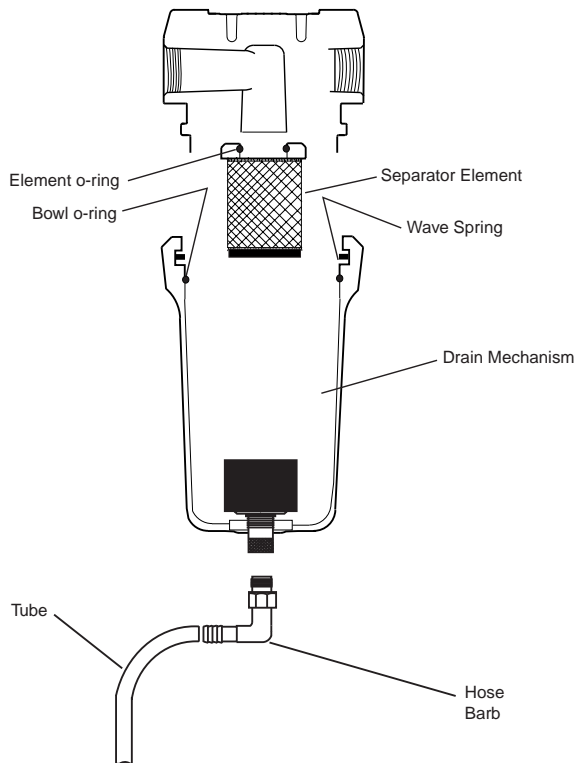
1. Replacing complete element
  - a) Pull off old element and discard.
  - b) Make certain O-ring inside top of replacement element is in place and push element onto filter head.
2. Replacing sleeve only
  - a) Pull element straight down to remove.
  - b) Remove bolt and bottom cap and remove disposable filter sleeve.
  - c) Clean separator core with soap and water if necessary
  - d) Slide new filter sleeve over separator core and replace bottom cap and hand tighten bolt.
  - e) Make certain O-ring inside top of element is in place and push element onto filter head.

H. After making sure that O-ring and wave spring inside top of bowl are in place, reassemble bowl to head.

NOTE: Make certain O-ring is generously lubricated

NOTE: Wave spring ends should be pointed down to prevent the wave spring from interfering with reassembly.

- I. Reconnect drain tube to bulkhead fitting by pushing tube into fitting until it locks in position.
- J. Reinstall side and top panels.
- K. Repressurize dryer and resume operation.



### 3.4 Automatic condensate drain

- Check daily to be sure automatic drain is discharging.
  - Replace drain mechanism yearly.
- A. Shut-off compressed air supply to the dryer and depressurize.
  - B. Remove top panel.
  - C. Remove two screws holding side panel then remove side panel by sliding upwards.
  - D. Disconnect drain tube from bulkhead fitting in cabinet base. To remove, press the plastic collar in, toward the fitting, while pulling the tube out of the fitting.
  - E. Remove bowl - push bowl up, turn 1/8th turn to your left, and pull bowl straight down.
  - F. Remove drain tube fitting from bottom of bowl.
  - G. Remove old drain mechanism by turning knurled fitting to the right (clockwise) and remove.
  - H. Install new drain mechanism. If necessary, use a wire or pencil to guide the new mechanism into place.
  - I. Reassemble drain tube fitting to bowl.
  - J. After making sure that large O-ring in filter head is in place, reassemble bowl to head.
  - K. Reconnect drain tube to bulkhead fitting by pushing tube into fitting until it locks in position.
  - L. Reinstall top and side panels.
  - M. Repressurize dryer and resume operation.

## TROUBLESHOOTING GUIDE

SYMPTOM	POSSIBLE CAUSE(S)	CORRECTIVE ACTION
<b>A) Water downstream of dryer</b>	<ol style="list-style-type: none"> <li>1. Residual free moisture remaining in downstream pipelines</li> <li>2. Air by-pass system is open</li> <li>3. Inlet and Outlet connections are reversed</li> <li>4. Temperatures surrounding air lines downstream of dryer have dropped below dryers dew point rating.</li> <li>5. Excessive free moisture (bulk liquid) at dryer inlet</li> <li>6. Condensate not being automatically drained Drain mechanism is clogged or inoperative. Drain line is restricted or frozen.</li> <li>7. Dryer overloaded resulting in elevated dew point.</li> <li>8. Refrigeration system not functioning properly resulting in elevated dew point.</li> </ol>	<p>Blow out system with dry air</p> <p>Check valve positions Check for correct connection</p> <p>Insulate or heat trace air lines exposed to low ambients or dry air to lower dew point</p> <p>Install separator ahead of dryer</p> <p>Replace drain mechanism if inoperative Open drain line Check inlet air temperature and pressure, flow rate (compressor capacity) and ambient air temperature See D below</p>
<b>B) High pressure drop across dryer</b>	<ol style="list-style-type: none"> <li>1. Inlet air strainer clogged</li> <li>2. Excessive air flow</li> <li>3. Separator filter clogged.</li> <li>4. Freezing of moisture in evaporator because of refrigeration system improperly functioning.</li> </ol>	<p>Clean inlet air strainer Check flow rate Replace filter sleeve See D below</p>
<b>C) Fault Alarm</b>	<ol style="list-style-type: none"> <li>1. Dryer overloaded resulting in high air outlet temperature.</li> <li>2. Refrigeration system not functioning properly resulting in high air outlet temperature.</li> <li>3. Unit functioning normally but thermostatic switch is malfunctioning or not securely mounted.</li> </ol>	<p>See A 7</p> <p>See D below</p> <p>Contact qualified refrigeration repairman or manufacturer's service department</p>
<b>D) Refrigeration system not functioning properly</b> <ol style="list-style-type: none"> <li>1. When dryer on/off switch in on or "I" position</li> <li>2. Refrigerant compressor cycles on and off</li> </ol>	<ol style="list-style-type: none"> <li>a. Power failure</li> <li>b. Line disconnect switch open</li> <li>c. Blown fuses, open breaker</li> <li>d. Faulty wiring, loose terminals</li> </ol> <ol style="list-style-type: none"> <li>a. High or low ambient conditions</li> <li>b. Ambient air filter clogged</li> <li>c. Condenser fins clogged</li> <li>d. Fan motor or fan control switch malfunction</li> <li>e. Refrigerant leak</li> </ol> <ol style="list-style-type: none"> <li>f. Low voltage</li> </ol>	<p>Check power to unit Close disconnect switch Check for continuity Have electrician check electrical connections</p> <p>Check minimum/maximum temperature ranges Clean ambient air filter Clean condenser Replace fan motor or fan control switch Contact qualified refrigeration repairman or manufacturer's service department Check wiring</p>

## SPECIFICATIONS - Models 20 thru 75

Description	Model						
	20	25	35	50	75		
<b>Operating Conditions</b>							
Rated Capacity	scfm	60 / 50 Hz	20 / 17	25 / 21	35 / 27	50 / 50	75 / 61
@125 psig, 8.8 kgf/cm <sup>2</sup> *	m <sup>3</sup> /min	60 / 50 Hz	0.57 / 0.48	0.71 / 0.59	0.99 / 0.76	1.42 / 1.42	2.12 / 1.7
Maximum Working Pressure	250 psig (17.6 kgf/cm <sup>2</sup> )						
Maximum Inlet Temperature	180°F (82°C)						
Min/Max. Ambient Temperature	40-110°F (4-43°C)						
Pressure Drop @	psi	60 / 50 Hz	4.5 / 2.9	3.3 / 2.4	4.7 / 2.9	4.5 / 4.5	3.8 / 2.2
rated capacity	(kgf/cm <sup>2</sup> )	60 / 50 Hz	(0.32 / 0.20)	(0.23 / 0.17)	(0.33 / 0.20)	(0.32 / 0.32)	(0.27 / 0.15)
<b>Refrigeration System Data</b>							
Compressor Type	Hermetic, Rotary, Permanent Split Capacitor						
BTU/HR - Refrigeration Only @ ASRE-T Conditions	60 / 50 Hz	8720 / 7043			12500 / 9970		
Outlet Air Temperature (nominal @ rated conditions)	155°F (68°C)						
Refrigerant Type	R-407C						
Refrigerant Charge	oz (grams)	60 / 50 Hz	See Dryer Serial Tag				
Suction Pressure Setting	67 psig (4.7 kgf/cm <sup>2</sup> )						
Factory Test (design) Pressure high side/low side	330/178 psig (23.2/12.5 kgf/cm <sup>2</sup> )						
Condenser Fan Switch Setting (in-out)	240-180 psig (16.9-12.7 kgf/cm <sup>2</sup> )						
Air Flow Across Condenser	cfm	60 / 50 Hz	280 / 235		620 / 515		
	m <sup>3</sup> /min	60 / 50 Hz	(7.9 / 6.7)		(17.6 / 14.6)		
<b>Electrical Data</b>							
Unit	115/1/60						
VAC/phase/Hz	115/1/60						
Minimum/maximum volts	98-127						
Full Load Amps (FLA)	8.7			12.6			
Branch Circuit Fuse Size (amps)	15			20			
Compressor	115/1/60						
Volts/phase/Hz	115/1/60						
Rated Load amps (RLA)	7.5			11.0			
Locked Rotor amps (LRA)	44.0			67.0			
Watts (input)	853			1220			
Overload (External)	Thermal and Current (Auto Reset)						
Condenser fan motor	115/1/25						
Volts/phase/Watts (output)	115/1/25			115/1/35			
Full Load Amps (FLA)	1.2			1.6			
Unit	220-240/1/50						
VAC/phase/Hz	220-240/1/50						
Minimum/maximum volts	198-264						
Full Load Amps (FLA)	3.4			6.0			
Branch Circuit Fuse Size (amps)	15						
Compressor	220-240/1/50						
Volts/phase/Hz	220-240/1/50						
Rated Load amps (RLA)	2.8			5.1			
Locked Rotor amps (LRA)	18.6			28.0			
Watts (input)	690			990			
Overload (External)	Thermal and Current (Auto Reset)						
Condenser fan motor	220-240/1/18.3						
Volts/phase/Watts (output)	220-240/1/18.3			220-240/1/25.6			
Full Load Amps (FLA)	0.6			0.8			

\* Capacity @ 180°F, 82°C inlet temperature, 160°F, 71°C inlet pressure dew point, 95°F, 35°C ambient temperature, 50°F, 10°C outlet pressure dew point, and less than 5 psi, 0.35 kgf/cm<sup>2</sup> pressure drop.



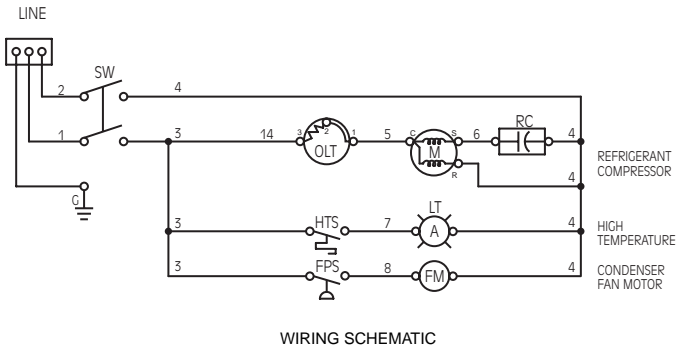
## SPECIFICATIONS - Models 100 and 125

Description	Model		
	100	125	
<b>Operating Conditions</b>			
Rated Capacity	scfm 60 / 50 Hz	100 / 83	125 / 104
@125 psig, 8.8 kgf/cm <sup>2</sup> *	m <sup>3</sup> /min 60 / 50 Hz	2.83 / 2.35	3.54 / 2.95
Maximum Working Pressure	250 psig (17.6 kgf/cm <sup>2</sup> )		
Maximum Inlet Temperature	180°F (82°C)		
Min/Max. Ambient Temperature	40-110°F (4-43°C)		
Pressure Drop @	psi 60 / 50 Hz	3.5 / 2.6	4.6 / 3.1
rated capacity	(kgf/cm <sup>2</sup> ) 60 / 50 Hz	(0.25 / 0.18)	(0.32 / 0.22)
<b>Refrigeration System Data</b>			
Compressor Type	Hermetic, Rotary, Permanent Split Capacitor		
BTU/HR - Refrigeration Only @ ASRE-T Conditions	60 / 50 Hz	25140 / 20110	
Outlet Air Temperature (nominal @ rated conditions)	155°F (68°C)		
Refrigerant Type	R-407C		
Refrigerant Charge	oz (grams) 60 / 50 Hz	See Dryer Serial Tag	
Suction Pressure Setting	67 psig (4.7 kgf/cm <sup>2</sup> )		
Factory Test (design) Pressure high side/low side	330/178 psig (23.2/12.5 kgf/cm <sup>2</sup> )		
Condenser Fan Switch Setting (in-out)	240-180 psig (16.9-12.7 kgf/cm <sup>2</sup> )		
Air Flow Across Condenser	cfm 60 / 50 Hz	830 / 690	
	m <sup>3</sup> /min 60 / 50 Hz	(23.5 / 19.5)	
<b>Electrical Data</b>			
Unit	208-230/1/60		
VAC/phase/Hz	230/1/60		
Minimum/maximum volts	187-253		
Full Load Amps (FLA)	12.2		
Branch Circuit Fuse Size (amps)	20		
Compressor	208-230/1/60		
Volts/phase/Hz	208-230/1/60		
Rated Load amps (RLA)	11.3		
Locked Rotor amps (LRA)	71.0		
Watts (input)	2530		
Overload (Internal)	Thermal and Current (Auto Reset)		
Condenser fan motor	230/1/60		
Volts/phase/Watts (output)	230/1/60		
Full Load Amps (FLA)	0.85		
Unit	220/1/50		
VAC/phase/Hz	220/1/50		
Minimum/maximum volts	207-242		
Full Load Amps (FLA)	14.1		
Branch Circuit Fuse Size (amps)	20		
Compressor	200-220/1/50		
Volts/phase/Hz	200-220/1/50		
Rated Load amps (RLA)	13.2		
Locked Rotor amps (LRA)	71.0		
Watts (input)	2212		
Overload (Internal)	Thermal and Current (Auto Reset)		
Condenser fan motor	230/1/50		
Volts/phase/Watts (output)	230/1/50		
Full Load Amps (FLA)	0.85		

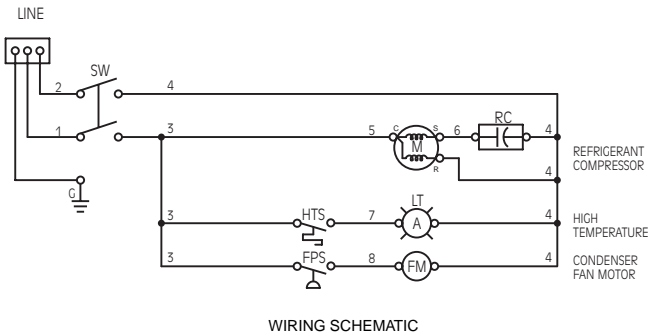
\* Capacity @ 180°F, 82°C inlet temperature, 160°F, 71°C inlet pressure dew point, 95°F, 35°C ambient temperature, 50°F, 10°C outlet pressure dew point, and less than 5 psi, 0.35 kgf/cm<sup>2</sup> pressure drop.

# ELECTRICAL SCHEMATICS

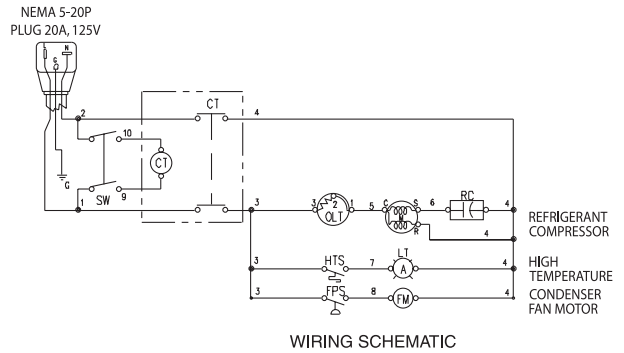
## Models 20, 25, and 35



## Models 100 and 125



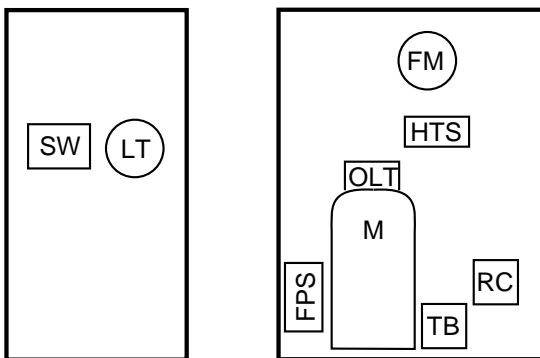
## Models 50 and 75



### LEGEND

- SW - On/Off Switch
- OLT - Thermal Overload
- M - Compressor Motor
- RC - Run Capacitor
- HTS - High Temperature Switch
- LT - Fault Light
- FPS - Fan Pressure Switch
- FM - Fan Motor
- TB - Terminal Block
- CT - Contactor w/115V Coil

## Models 20, 25, 35, 100, and 125

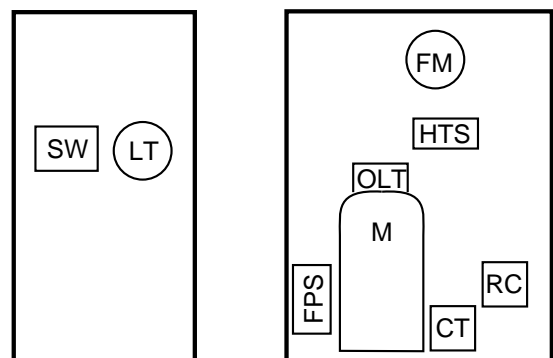


Front of Dryer  
(Outside)

Right Side of Dryer  
(Inside)

### COMPONENT LOCATIONS

## Models 50 and 75



Front of Dryer  
(Outside)

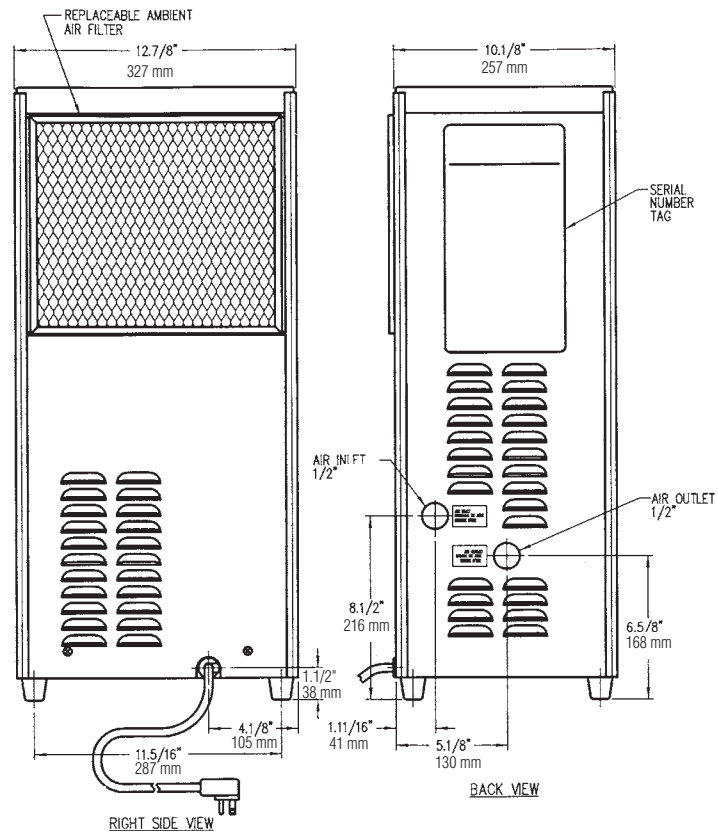
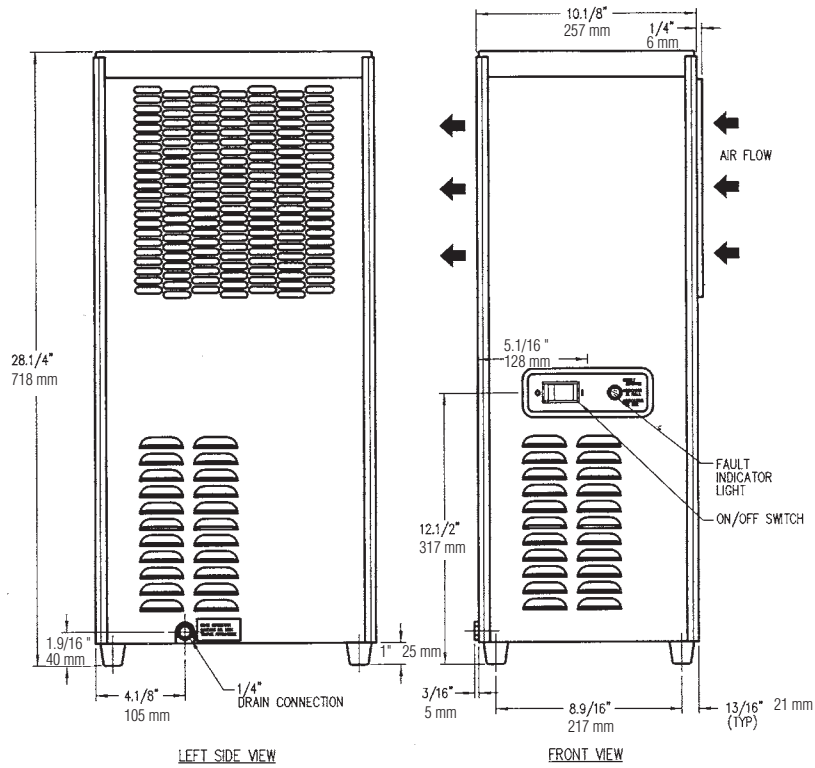
Right Side of Dryer  
(Inside)

### COMPONENT LOCATIONS

# DIMENSIONS AND WEIGHTS

## Models 20, 25, 35

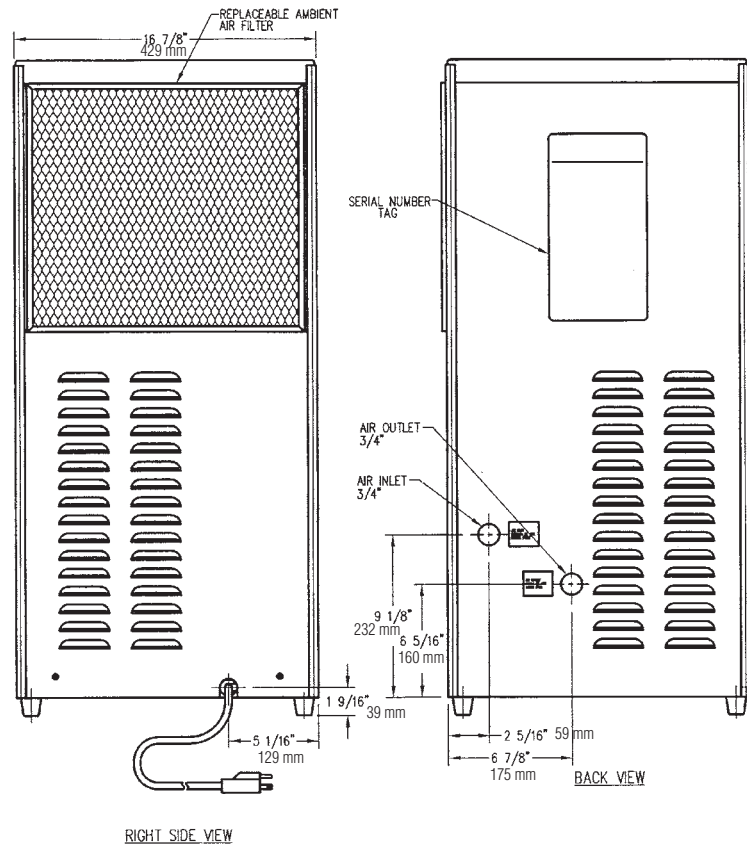
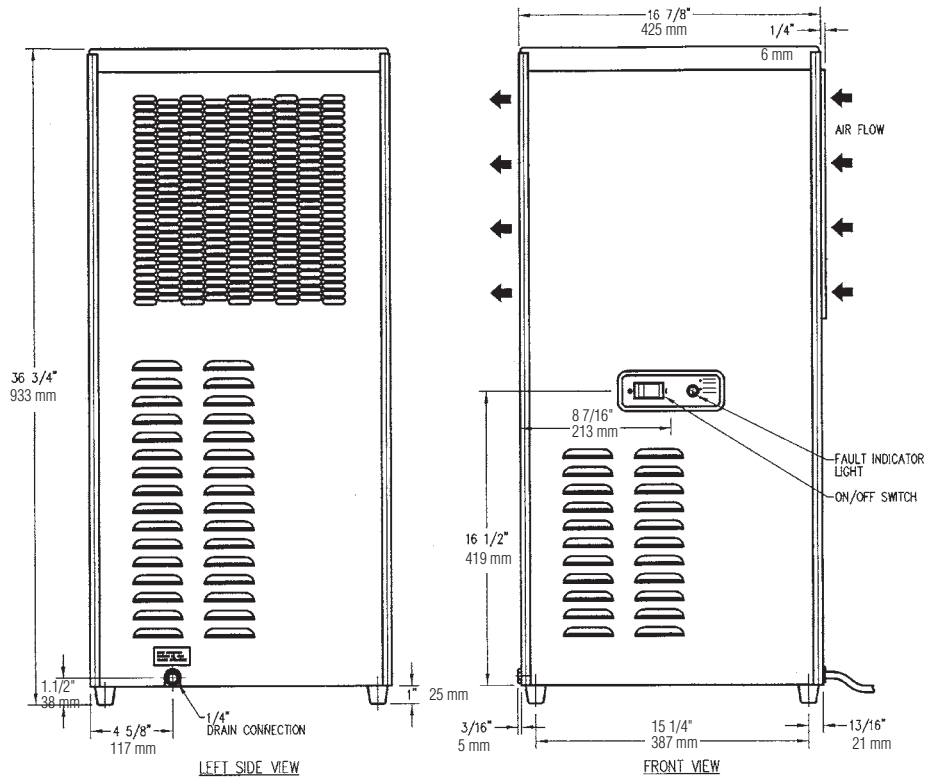
Model	Weight
20	79 lbs (36 kg)
25	80 lbs (36 kg)
35	81 lbs (37 kg)



# DIMENSIONS AND WEIGHTS

## Models 50 and 75

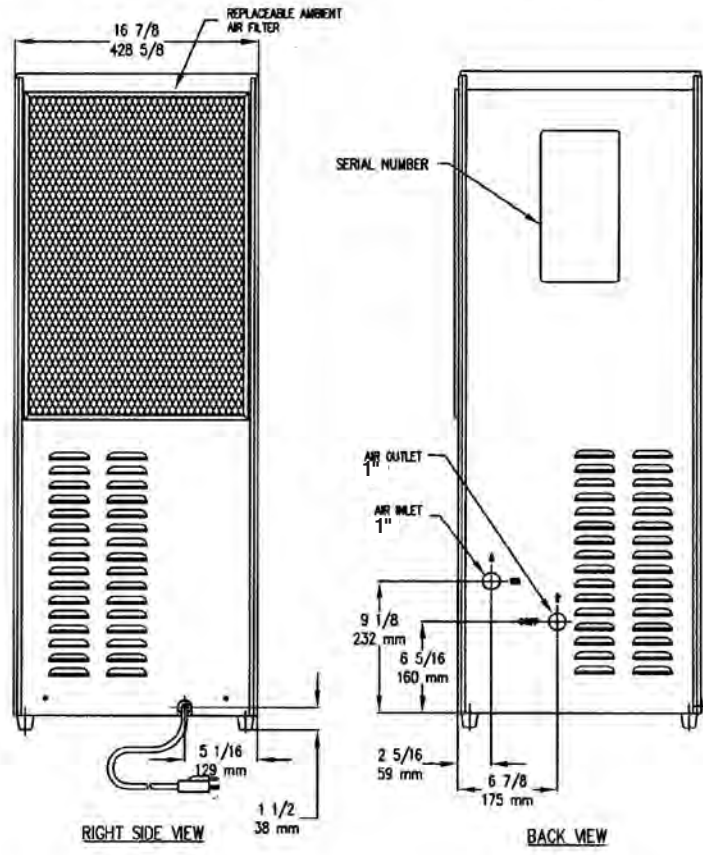
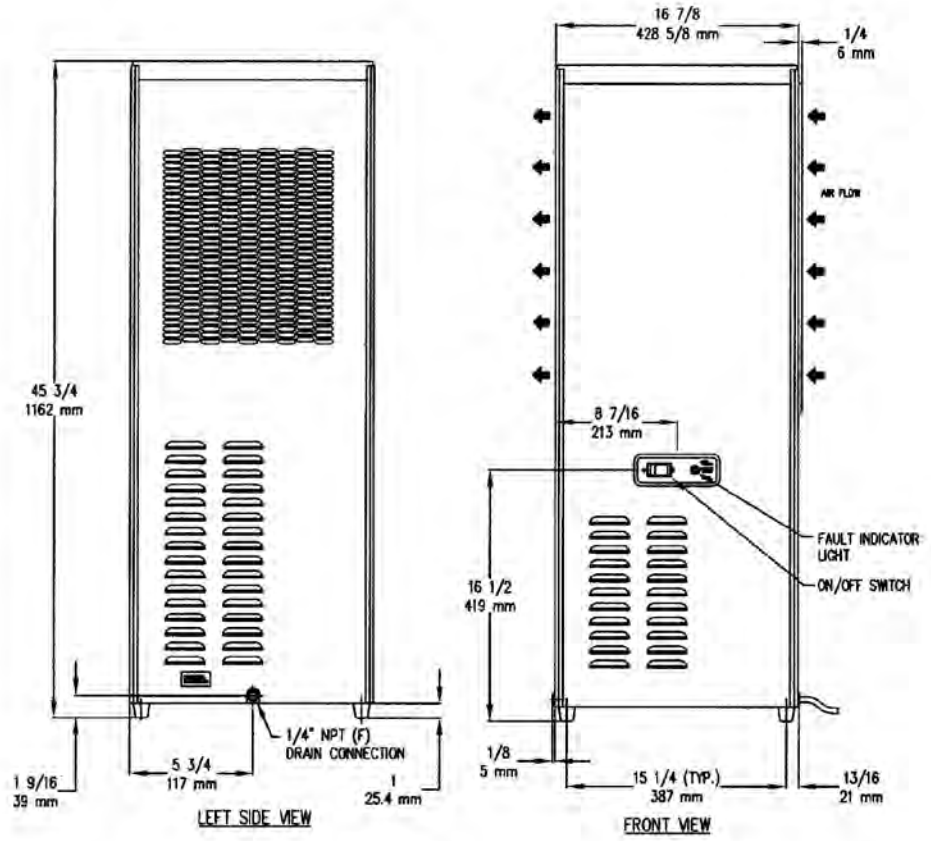
Model	Weight
50	150 lbs (68 kg)
75	155 lbs (70 kg)



# DIMENSIONS AND WEIGHTS

Models 100 and 125

Model	Weight
100	187 lbs (85 kg)
125	189 lbs (86 kg)



## PARTS LIST

PARTS DESCRIPTION	20	25	35	50	75
<b>Separator</b>					
*Separator/Filter Cartridge	CE9-16	CE9-16	CE9-16	CE9-20	CE9-24
Filter Sleeve	CS9-16	CS9-16	CS9-16	CS9-20	CS9-24
*Drain Mechanism	3152270	3152270	3152270	3152270	3152270
Bowl	3240333	3240333	3240333	3223457	3241108
*O-ring Bowl	3154585	3154585	3154585	3162913	3162913
<b>Inlet (Compressed Air) Strainer</b>					
Strainer, inlet	4009634	4009634	4009634	4009635	4009635
*Screen, strainer	3230672	3230672	3230672	3230673	3230673
<b>Electrical</b>					
Switch on/off	3230775	3230775	3230775	3230775	3230775
Light, Fault (amber) <b>115/1/60</b>	3227423	3227423	3227423	3227423	3227423
Light, Fault (amber) <b>220-240/1/50</b>	3227424	3227424	3227424	3227424	3227424
Cord Set <b>115/1/60</b>	3221571	3221571	3221571	3221572	3221572
Cord Set <b>220-240/1/50</b>	3221422	3221422	3221422	3221422	3221422
Capacitor, run <b>115/1/60</b>	3220878	3220878	3220878	3220878	3220878
Capacitor, run <b>220-240/1/50</b>	3220872	3220872	3220872	3220878	3220878
Switch, fault light w/conn.	3240331	3240331	3240331	3240597	3240597
<b>Condenser Fan</b>					
Fan Motor <b>115/1/60</b>	3228001	3228001	3228001	3227992	3227992
Fan Motor <b>220-240/1/50</b>	3228002	3228002	3228002	3227986	3227986
Fan Blade <b>115/1/60</b>	3219394	3219394	3219394	3219395	3219395
Fan Blade <b>220-240/1/50</b>	3219394	3219394	3219394	3219399	3219399
<b>Refrigeration System</b>					
Compressor <b>115/1/60</b>	3221265	3221265	3221265	3221267	3221267
Compressor <b>220-240/1/50</b>	3221266	3221266	3221266	3221268	3221268
Condenser	3221323	3221323	3221323	3221324	3221324
Hot gas by-pass valve	3232549	3232549	3232549	3232526	3232526
Filter/Dryer	3223809	3223809	3223809	3223809	3223809
Fan Pressure Switch	3230755	3230755	3230755	3230756	3230756
<b>Cabinet</b>					
*Filter, Ambient Air	3223805	3223805	3223805	3223806	3223806
Grommet (light & switch, front panel)	3224016	3224016	3224016	3224016	3224016
Foot, mounting	3223838	3223838	3223838	3223838	3223838

\* Maintenance kits for the above models are available "\*" indicates items included in the kits.

## Maintenance Kits

For Dryer Models	Kit Number
20, 25, 35	RNHFMK1
50,	RNHFMK2
75	RNHFMK3

## PARTS LIST

PARTS DESCRIPTION	100	125
<b>Separator</b>		
*Separator/Filter Cartridge	CE9-24	CE9-24
Filter Sleeve	CS9-24	CS9-24
*Drain Mechanism	3152270	3152270
Bowl	3241108	3241108
*O-ring Bowl	3162913	3162913
Strainer, inlet	4009636	4009636
*Screen, strainer	3230662	3230662
<b>Electrical</b>		
Switch on/off	3230775	3230775
Light, Fault 230v	3227424	3227424
Cord Set	3221573	3221573
Capacitor, run <b>230/1/60</b>	3264639	3264639
Capacitor, run <b>220/1/50</b>	3264639	3264639
Switch, fault light w/conn.	3240597	3240597
<b>Condenser Fan</b>		
Fan Motor	3227986	3227986
Fan Blade	3219404	3219404
<b>Refrigeration System</b>		
Compressor <b>230/1/60</b>	3264172	3264172
Compressor <b>220/1/50</b>	3264172	3264172
Condenser	3221325	3221325
Hot gas by-pass valve	3232526	3232526
Filter/Dryer	3223814	3223814
Fan Pressure Switch	3230756	3230756
<b>Cabinet</b>		
*Filter, Ambient Air	3223807	3223807
Grommet (light & switch, front panel)	3224016	3224016
Foot, mounting	3223838	3223838

\* Maintenance kits for the above models are available "\*" indicates items included in the kits.

## Maintenance Kits

For Dryer Models	Kit Number
100	RNHFMK4
125	RNHFMK4

# **WARRANTY**

The manufacturer warrants the product manufactured by it, when properly installed, operated, applied, and maintained in accordance with procedures and recommendations outlined in manufacturer's instruction manuals, to be free from defects in material or workmanship for a period as specified below, provided such defect is discovered and brought to the manufacturer's attention within the aforesaid warranty period.

The manufacturer will repair or replace any product or part determined to be defective by the manufacturer within the warranty period, provided such defect occurred in normal service and not as a result of misuse, abuse, neglect or accident. Normal maintenance items requiring routine replacement are not warranted. The warranty covers parts and labor for the warranty period unless otherwise specified. Repair or replacement shall be made at the factory or the installation site, at the sole option of the manufacturer. Any service performed on the product by anyone other than the manufacturer must first be authorized by the manufacturer.

Unauthorized service voids the warranty and any resulting charge or subsequent claim will not be paid. Products repaired or replaced under warranty shall be warranted for the unexpired portion of the warranty applying to the original product.

The foregoing is the exclusive remedy of any buyer of the manufacturer's product. The maximum damages liability of the manufacturer is the original purchase price of the product or part.

THE FOREGOING WARRANTY IS EXCLUSIVE AND IN LIEU OF ALL OTHER WARRANTIES, WHETHER WRITTEN, ORAL, OR STATUTORY, AND IS EXPRESSLY IN LIEU OF THE IMPLIED WARRANTY OF MERCHANTABILITY AND THE IMPLIED WARRANTY OF FITNESS FOR A PARTICULAR PURPOSE. THE MANUFACTURER SHALL NOT BE LIABLE FOR LOSS OR DAMAGE BY REASON OF STRICT LIABILITY IN TORT OR ITS NEGLIGENCE IN WHATEVER MANNER INCLUDING DESIGN, MANUFACTURE OR INSPECTION OF THE EQUIPMENT OR ITS FAILURE TO DISCOVER, REPORT, REPAIR, OR MODIFY LATENT DEFECTS INHERENT THEREIN.

THE MANUFACTURER, HIS REPRESENTATIVE OR DISTRIBUTOR SHALL NOT BE LIABLE FOR LOSS OF USE OF THE PRODUCT OR OTHER INCIDENTAL OR CONSEQUENTIAL COSTS, EXPENSES, OR DAMAGES INCURRED BY THE BUYER, WHETHER ARISING FROM BREACH OF WARRANTY, NEGLIGENCE OR STRICT LIABILITY IN TORT.

The manufacturer does not warrant any product, part, material, component, or accessory manufactured by others and sold or supplied in connection with the sale of manufacturer's products.

## **Warranty Period**

Parts and labor for two (2) years from the date of shipment from the factory; heat exchangers are covered (parts only) for an additional three (3) years (total of five (5)). On units that manufacturer requests be returned to the factory, a one time removal/reinstallation labor allowance as noted in the Service Warranty Policies and Procedures Handbook will apply. Freight to the factory from the installation site and to the installation site from the factory will be paid by the manufacturer; means of transportation to be specified by manufacturer.

**AUTHORIZATION FROM THE SERVICE DEPARTMENT IS NECESSARY BEFORE MATERIAL IS RETURNED TO THE FACTORY OR IN-WARRANTY REPAIRS ARE MADE.**

**SERVICE DEPARTMENT: (724) 746-1100**

### **Curtis-Toledo, Inc.**

1905 Kienlen Avenue, St. Louis Missouri 63133

phone: 314-383-1300 fax: 314-381-1439 email: info@curtistoledo.com

WWW.FSCURTIS.COM