

Filter Type	CF(Grade)-	12	16	20	24	28	32	36	40	44	48
Replacement Element	CE(Grade)-	12 or 12S	16 or 16S	20 or 20S	24 or 24S	28 or 28S	32 or 32S	36 or 36S	40 or 40S	44 or 44S	48 or 48S
Nominal Air Flow scfm @100 psig (m ³ /hr @ 7.0 bar)		20 (35)	35 (60)	60 (105)	100 (170)	170 (290)	250 (425)	375 (640)	485 (825)	625 (1060)	780 (1325)
In/Out Connection	NPT or BSP	3/8, 1/2	3/8, 1/2	3/8, 1/2	3/4, 1	3/4, 1	1, 1-1/4, 1-1/2	1, 1-1/4, 1-1/2	2, 2-1/2	2-1/2	2-1/2
"A" in. (mm)		4.13 (105)	4.13 (105)	4.13 (105)	5.25 (133)	5.25 (133)	6.44 (164)	6.44 (164)	7.63 (194)	7.63 (194)	7.63 (194)
"B" in. (mm)		8.15 (207)	10.05 (255)	12.40 (316)	13.32 (338)	17.57 (446)	20.80 (528)	25.29 (642)	29.08 (739)	34.83 (885)	40.96 (1040)
"C" in. (mm)		6.40 (163)	8.59 (224)	10.97 (285)	11.74 (298)	15.99 (406)	18.98 (482)	23.47 (596)	26.83 (681)	32.58 (827)	38.71 (983)
"D" in. (mm)		3.00 (76)	3.00 (76)	3.00 (76)	3.50 (89)	3.50 (89)	4.00 (102)	4.00 (102)	4.00 (102)	4.00 (102)	4.00 (102)
Weight lb. (kg)		4.14 (1.88)	4.5 (2.04)	4.7 (2.13)	6.3 (2.9)	6.9 (3.1)	10.2 (4.63)	11.3 (5.13)	28 (12.70)	33 (14.97)	38 (17.24)
Maximum Working Pressure		Housing - 300 psig, 21.1 kgf/cm ² Models with Internal Drain or Liquid level indicator - 250 psig, 17.6 kgf/cm ²					Housing - 300 psig, 21.1 kgf/cm ² Models with Internal Drain or Liquid level indicator - 250 psig, 17.6 kgf/cm ²				
Maximum Operating Temperature		150°F, 66°C					150°F, 66°C				
Head Material		Aluminum					Aluminum				
Bowl Material		Aluminum					Aluminum				
Liquid Level Indicator Material		Isoplast					Isoplast				

NOTE: Dimensions and Weights are for reference only. Request certified drawings for construction purposes.

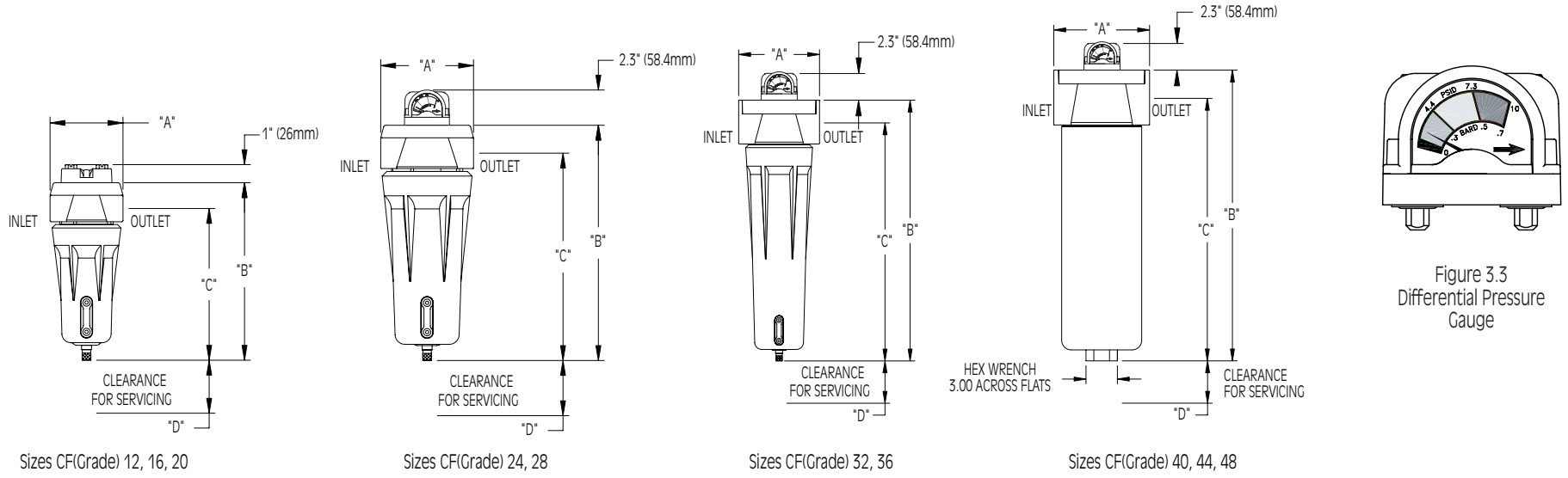


Figure 3.2