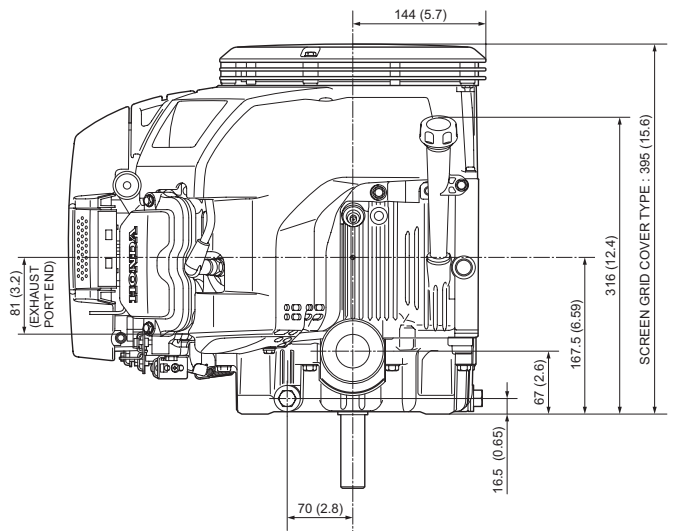
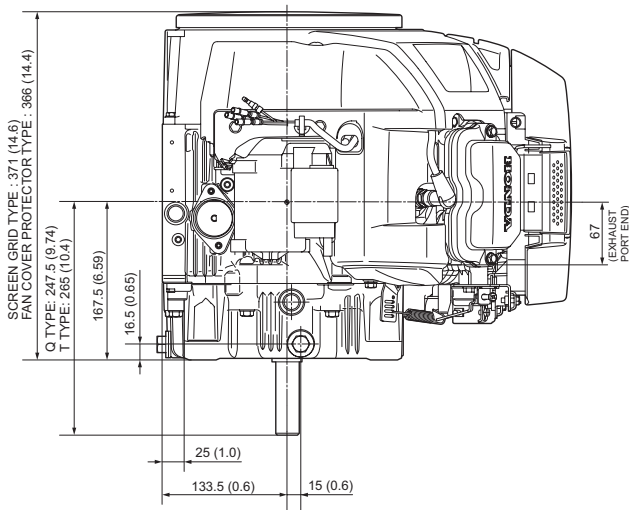
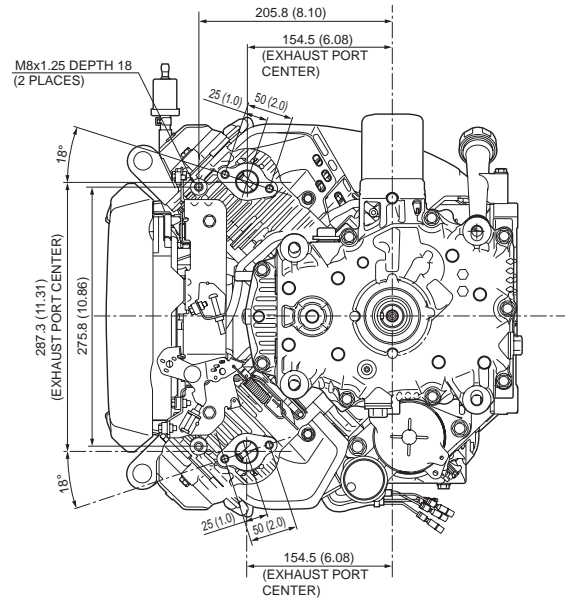
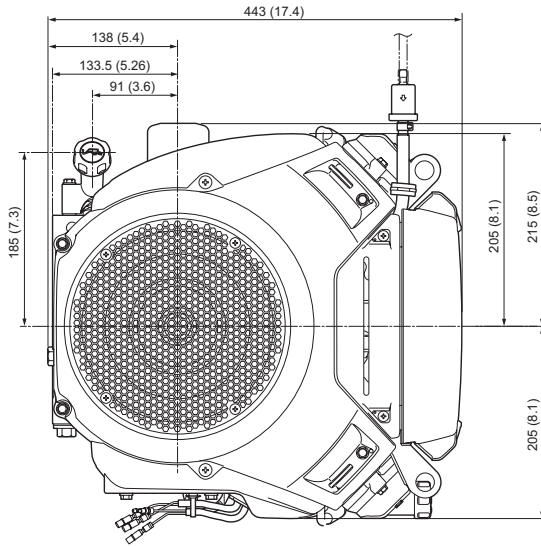


HONDA ENGINES

DIMENSIONAL DRAWINGS GXV630 • GXV660 • GXV690

Unit: mm (in)



MOUNTING AND PTO SHAFT DRAWINGS

Unit: mm (in)

Type	Dimensions
<p>Mounting</p>	<p>35° 35°</p> <p>PD 254</p> <p>45° 45°</p> <p>Φ11 (Φ0.4) (ENGINE MOUNT HOLE) (4 PLACES)</p>
<p>Q</p>	<p>ENG MOUNT LINE</p> <p>61 (2.4)</p> <p>35 (1.4)</p> <p>28 (1.1)</p> <p>5 (0.2)</p> <p>80 (3.1)</p> <p>79 (3.1)</p> <p>1 (0.04)</p> <p>14 (0.6)</p> <p>247.5 (9.74)</p> <p>1.2 (0.05)</p> <p>Φ32 (Φ1.3)</p> <p>7/16-20UNF2B TAP</p> <p>Φ11.5 (Φ0.45)</p> <p>Φ13 (Φ0.5)</p> <p>Φ25.4 ± 0.025 (Φ25.4 ± 0.0010)</p> <p>Φ70 (Φ2.8)</p> <p>21.82 ± 0.13 (0.859 ± 0.005)</p> <p>Φ0.3 ± 0.025 (0.25 ± 0.001)</p>

Type	Dimensions
<p>T</p>	<p>ENG MOUNT LINE</p> <p>76.5 (3.01)</p> <p>49 (1.9)</p> <p>43.5 (1.71)</p> <p>1.5 (0.2)</p> <p>97.5 (3.84)</p> <p>96.5 (3.80)</p> <p>1 (0.04)</p> <p>1.4 (0.6)</p> <p>265 (10.4)</p> <p>7/16-20UNF2B TAP</p> <p>Φ35 (Φ1.4)</p> <p>Φ36 (Φ1.4)</p> <p>Φ11.5 (Φ0.45)</p> <p>Φ13 (Φ0.5)</p> <p>Φ28.575⁰_{-0.025} (Φ1.1250⁰_{-0.025})</p> <p>Φ70 (Φ2.8)</p> <p>6.3^{+0.05}₀ (0.25^{+0.002}₀)</p> <p>25.0⁰_{-0.13} (1.0⁰_{-0.005})</p>