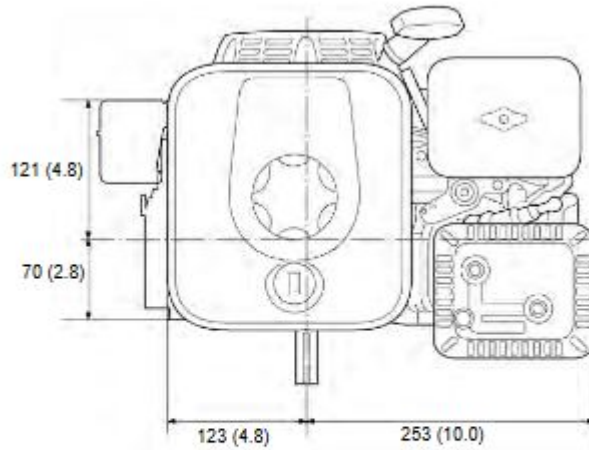
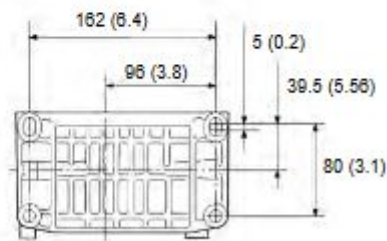
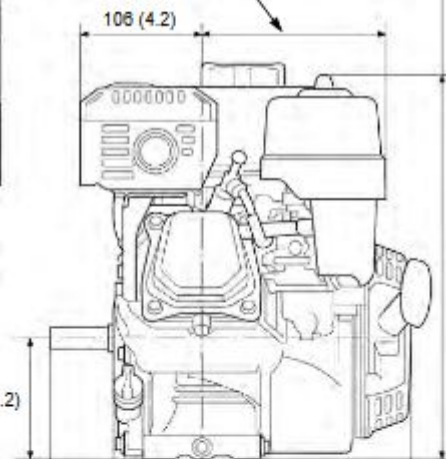
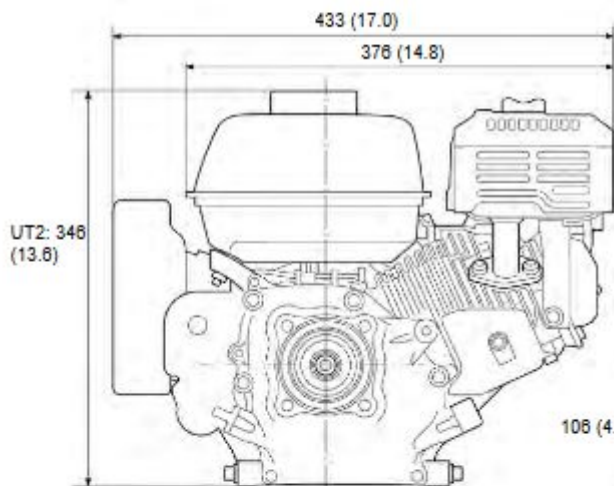


# GX200 (WITHOUT REDUCTION)

Unit: mm (in)



Dual/dual silent: 160 (6.3)  
Cyclone: 168 (6.6)  
Oil bath: 159 (6.3)  
Semi dry: 156 (6.1)  
Dual/dual silent: 339 (13.3)  
Cyclone/Oil bath/Semi dry: 335 (13.2)



S type\*: 75.5 (2.97)  
U, W type\*: 75.2 (2.96)

P type\*: 321.5 (12.66)  
Q type\*: 321.5 (12.66)  
S type\*: 313 (12.3)  
T type\*: 321.5 (12.66)  
V type\*: 331.5 (13.05)