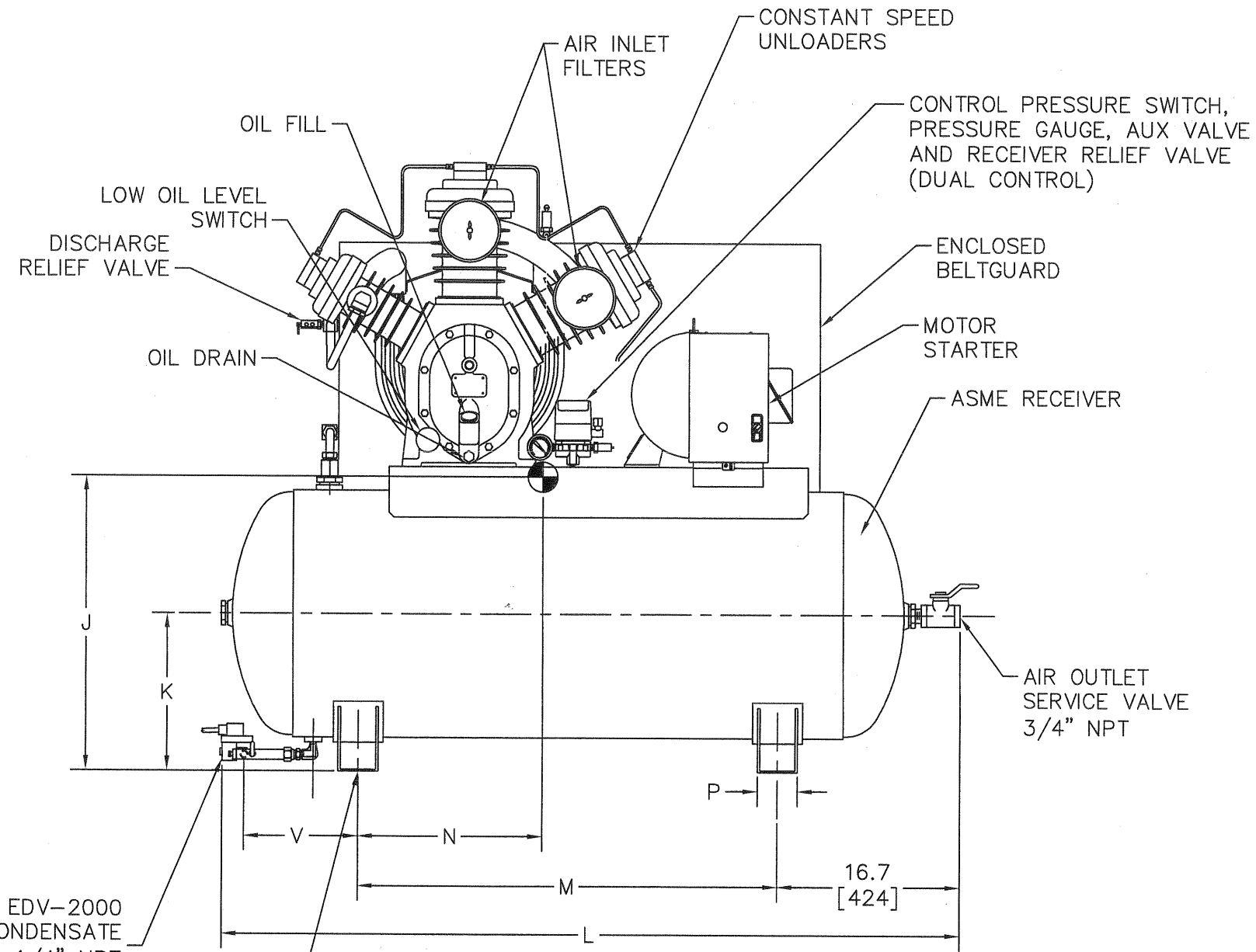
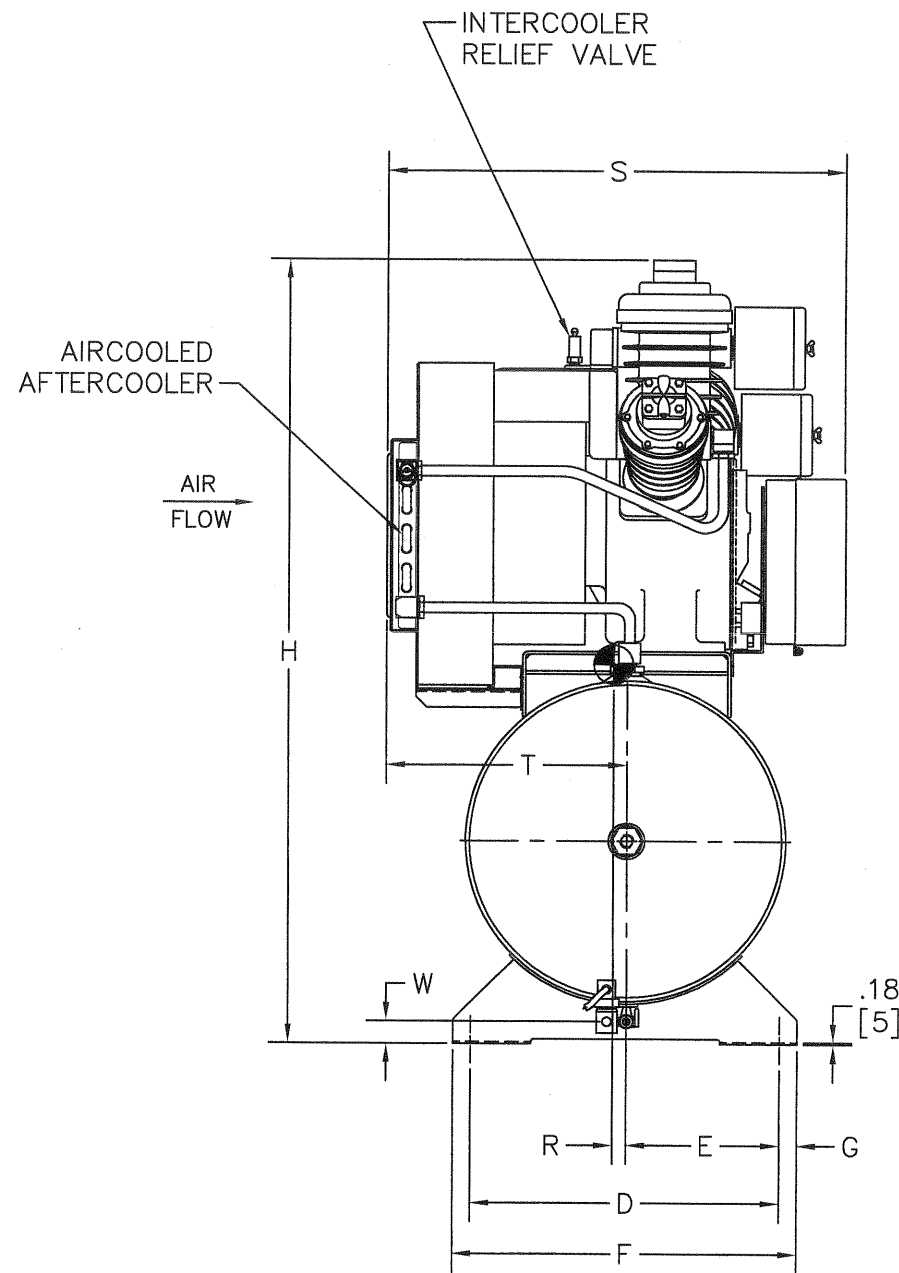


REVISIONS				
ZONE/REV	ECN	DESCRIPTION	DATE	BY
A	09R00359	INITIAL RELEASE	2009AUG17	G.LEVI



- NOTES:
1. FOUNDATION OR FLOOR MUST BE LEVEL AND SUPPORT ALL FEET EQUALLY; IF NECESSARY SHIM OR GROUT THE FOURTH FOOT.
  2. FOUNDATION BOLTS SHOULD PROJECT THRU NUTS AT LEAST 1/2"[13] TO ALLOW FOR LEVELING.
  3. ALLOW AT LEAST 12.00[305] CLEARANCE MIN. ON ALL SIDES FOR PROPER AIR CIRCULATION.
  4. DIMENSIONS IN [ ] ARE METRIC DIMENSIONS UNLESS OTHERWISE SPECIFIED.
  5. ALL UNSPECIFIED TOLERANCES: XX = ±.25[6]  
X = ±.50[13]
  6. THE COMPRESSOR ARRANGEMENT SHOWN IS REPRESENTATIVE OF ALL THE UNITS LISTED.

EDV-2000  
AUTO CONDENSATE  
DRAIN VALVE - 1/4" NPT  
DRAIN PORT

"A" X "B" SLOTS FOR  
(4) Ø"C" MTG. BOLTS

MODEL	NET WT. LBS [WT. KG]	RECEIVER			A	B	C	D	E	F	G	H	J	K	L	M	N	P	R	S	T	V	W	
		SIZE IN. [SIZE mm]	GAL. [LITER]																					
15TE15	1400 [636]	24" X 67" [610 X 1702]	120 [454]	.75 [19]	1.50 [38]	1/2"	23.75 [603]	11.87 [301]	26.5 [673]	1.3 [33]	61.0 [1549]	31.66 [804]	15.5 [393]	70.4 [1788]	42.00 [1067]	18.51 [470]	4.0 [101]	58 [14]	35.3 [896]	18.4 [467]	10.2 [260]	2.2 [57]		
15TE20	1450 [657]	24" X 67" [610 X 1702]	120 [454]	.75 [19]	1.50 [38]	1/2"	23.75 [603]	11.87 [302]	26.5 [673]	1.3 [33]	61.0 [1549]	30.81 [782]	15.5 [393]	70.4 [1788]	42.00 [1067]	15.64 [397]	4.0 [101]	43 [11]	35.3 [896]	18.4 [467]	10.2 [260]	2.2 [57]		

PROPRIETARY NOTICE

THIS DOCUMENT CONTAINS CONFIDENTIAL AND TRADE SECRET INFORMATION, IS THE PROPERTY OF INGERSOLL-RAND COMPANY, AND IS GIVEN TO THE RECEIVER IN CONFIDENCE. THE RECEIVER BY RECEPTION AND RETENTION OF THE DOCUMENT ACCEPTS THE DOCUMENT IN CONFIDENCE AND AGREES THAT, EXCEPT AS AUTHORIZED IN WRITING BY INGERSOLL-RAND COMPANY, IT WILL (1) NOT USE THE DOCUMENT OR ANY COPY THEREOF OR THE CONFIDENTIAL OR TRADE SECRET INFORMATION THEREIN; (2) NOT COPY THE DOCUMENT; (3) NOT DISCLOSE TO OTHERS EITHER THE DOCUMENT OR THE CONFIDENTIAL OR TRADE SECRET INFORMATION THEREIN; AND (4) UPON COMPLETION OF THE NEED TO RETAIN THE DOCUMENT, OR UPON DEMAND, RETURN THE DOCUMENT, ALL COPIES THEREOF, AND ALL MATERIAL COPIED THEREFROM.

Copyright © 1992  
Ingersoll-Rand Company  
All Rights Reserved

WARNING: The export or reexport of this drawing or a product produced by this drawing is subject to U.S. Export Administration Regulations and other applicable governmental restrictions or regulations.

THIRD ANGLE PROJECTION  
SCALE NONE

DRAWN G.Levi  
CHECKED D.Adams  
APPROVED J.Ballard

DATE 2009AUG17  
DATE 2009AUG17  
DATE 2009AUG17

REF. PREMIUM PACKAGES  
TITLE GENERAL ARRANGEMENT  
15TE15 & 15TE20  
SIZE A1  
DWG NO. 45469954  
REV A

INGERSOLL RAND

SHEET 1 OF 1