

---

**Kaishan Technologies  
Rotary Screw Air  
Compressor**

---

**KRSL 60HP  
Parts Manual**

---

---

PN: 97002023000124

Release in June, 2023 Version: F

(45PSI/208V/230V/460V/60HZ/FS/ASME/UL)

## TABLE OF CONTENTS

---

<b>Service Parts .....</b>	<b>3</b>
<b>Serial Number .....</b>	<b>3</b>
<b>Fluid Specification .....</b>	<b>4</b>
<b>Spare Parts .....</b>	<b>5</b>
<b>Airend and Inlet valve.....</b>	<b>6</b>
<b>Base Mounting.....</b>	<b>8</b>
<b>Reservoir .....</b>	<b>10</b>
<b>Driving System and Electrical Motor .....</b>	<b>12</b>
<b>Air Cooler .....</b>	<b>14</b>
<b>Fluid Piping.....</b>	<b>16</b>
<b>Air Piping.....</b>	<b>18</b>
<b>Canopy .....</b>	<b>20</b>
<b>Electrical Enclosure .....</b>	<b>22</b>
<b>Decals .....</b>	<b>24</b>
<b>Standard Terms and Conditions.....</b>	<b>27</b>
<b>Appendix.....</b>	<b>30</b>
<b>Contact Information .....</b>	<b>31</b>

## Service Parts

---

The following information must be provided for ordering service parts:

1. The serial number of unit must be provided. It will be verified to ensure correct replacement parts are ordered.
2. Service parts must be ordered from closest authorized distributor.
3. Exact part number, quantity and delivery method must be provided.

All service parts must be ordered through nearest authorized distributor. Insist on genuine manufacturer parts only. Failure to do so may void product warranty.

## Serial Number

---

The unit serial number can be found on serial number tag, which is located on the cabinet corner post of the unit. The serial number tag is shown as follows.



## Fluid Specification

---

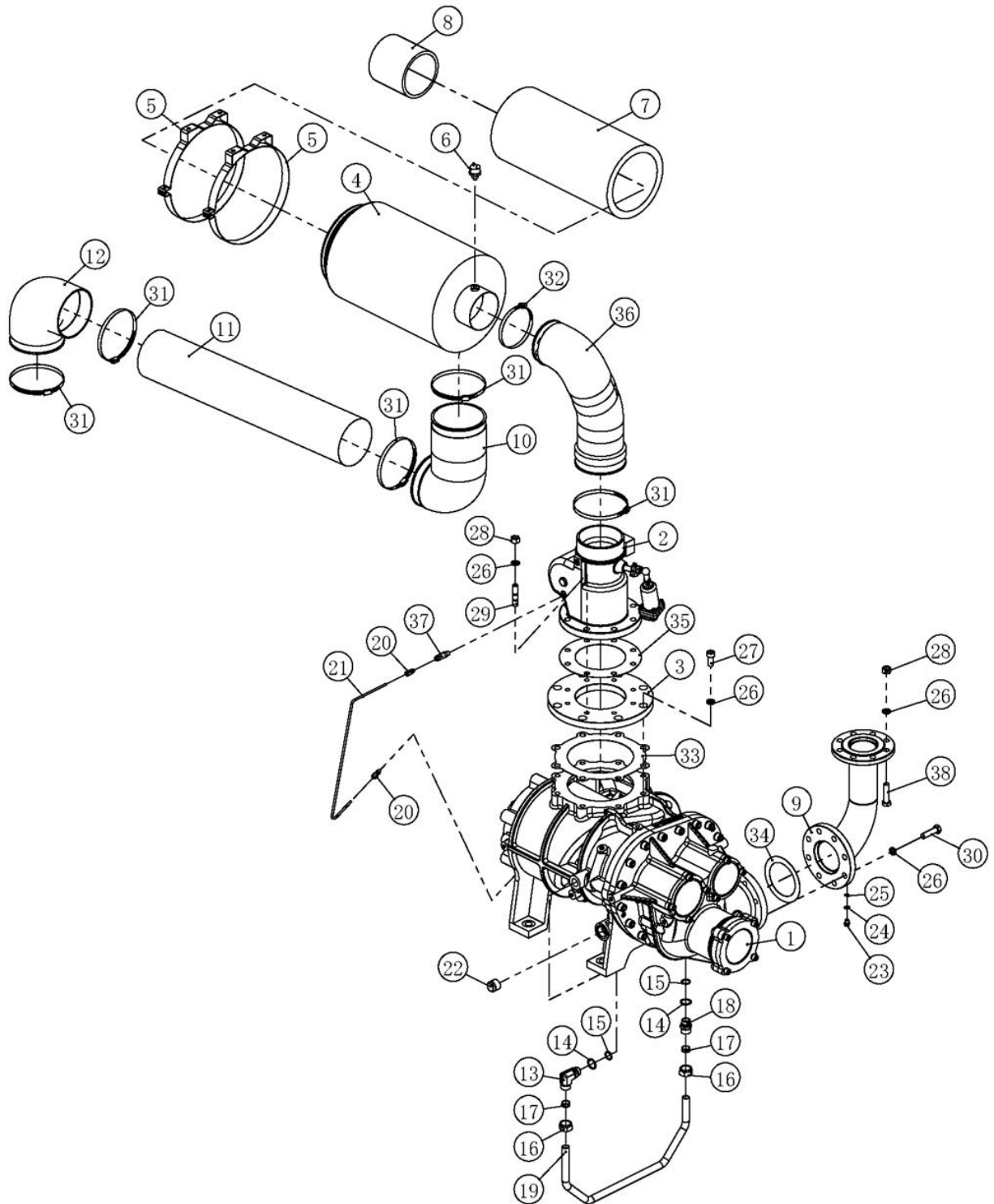
All KRSL Compressors must use KCA recommended fluid for maintenance.

## Spare Parts

Recommended spare parts are shown as follows:

ITEM	No.	QTY	PART NUMBER	DESCRIPTION		
		1	537702 321810	Air filter element		
1		1	537702 321820	Air filter safety element		
2		1	537705 331800	Oil filter		
3		1	55300 355500	Fluid/air separator element		

# Airend and Inlet valve



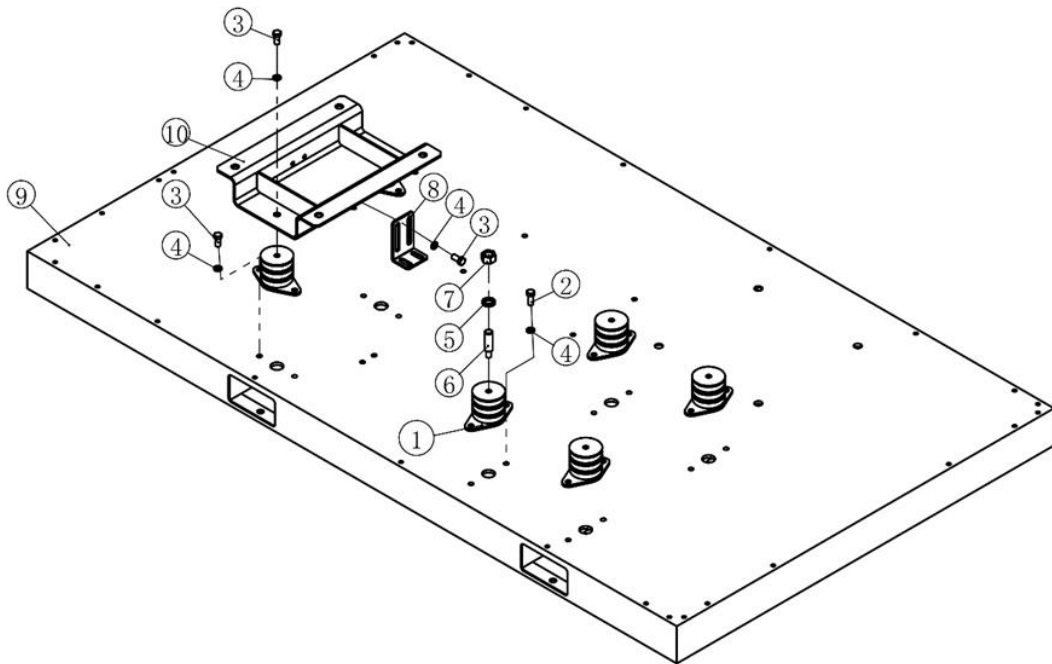
## Airend and Inlet valve

NO.	VERSION	PN	DESCRIPTION	QTY	REMARK
1		1790101	Airend	1	
2		01608 12002 00	Inlet valve	1	
2A*		04002 00120 05	Inlet valve, Blowdown Assy.	1	
2B*		02001 01200 01	Inlet valve, air cylinder	1	
3	S01	91117 01001 03	Flange	1	
4		537702 321800-2	Air filter shell	1	
5		537702 21800 01	Air filter support	2	
6		02809 00102 00	Air filter indicator	1	
7		537702 321810	Air filter element	1	
8		537702 321820	Air filter safety element	1	
9	S01	91117 03001 03	Airend discharge pipe	1	
10	S01	02907 16150 30	Flexible pipe	1	
11	S01	91117 01004 03	Stainless steel pipe	1	
12		02910 16015 80	Flexible pipe elbow	1	
13		15435 06200 02	Joint	1	
14		02201 00020 00	Screw washer	2	
15		02901 02360 20	O ring	2	23.6X2.65
16		01504 02200 00	Nut	2	G22
17		01514 02200 00	Cutting sleeve	2	22
18		16403 06005 00	Joint	1	
19	S01	91117 01100 03	Oil injection pipe	1	
20		01512 06100 00	Joint	2	
21	S01	91117 01002 03	Oil return pipe	1	
22		02103 00025 02	Plug	1	
23		18404 03100 00	Plug	1	M12X1.5
24		02201 01215 00	Screw washer	1	
25		02901 00950 10	O ring	1	9.5X1.8
26		01365 16000 00	Washer	32	16
27		01344 16035 00	Screw	8	M16×35
28		01322 16000 00	Nut	16	M16
29		01391 16050 00	Stud	8	M16×50
30		01307 16060 00	Bolt	8	M16×60
31		04401 15517 80	Hoop	5	
32		04401 13015 00	Hoop	1	
33	S02	02214 21029 50	Gasket	1	
34		02216 10016 00	Gasket	1	
35		02216 16220 86	Gasket	1	
36		02907 13150 48	Flexible pipe	1	
37		01610 03000 00	Check valve	1	
38		01306 16065 00	Bolt	8	M16×65

\*Not shown on the drawing.

# Base Mounting

---





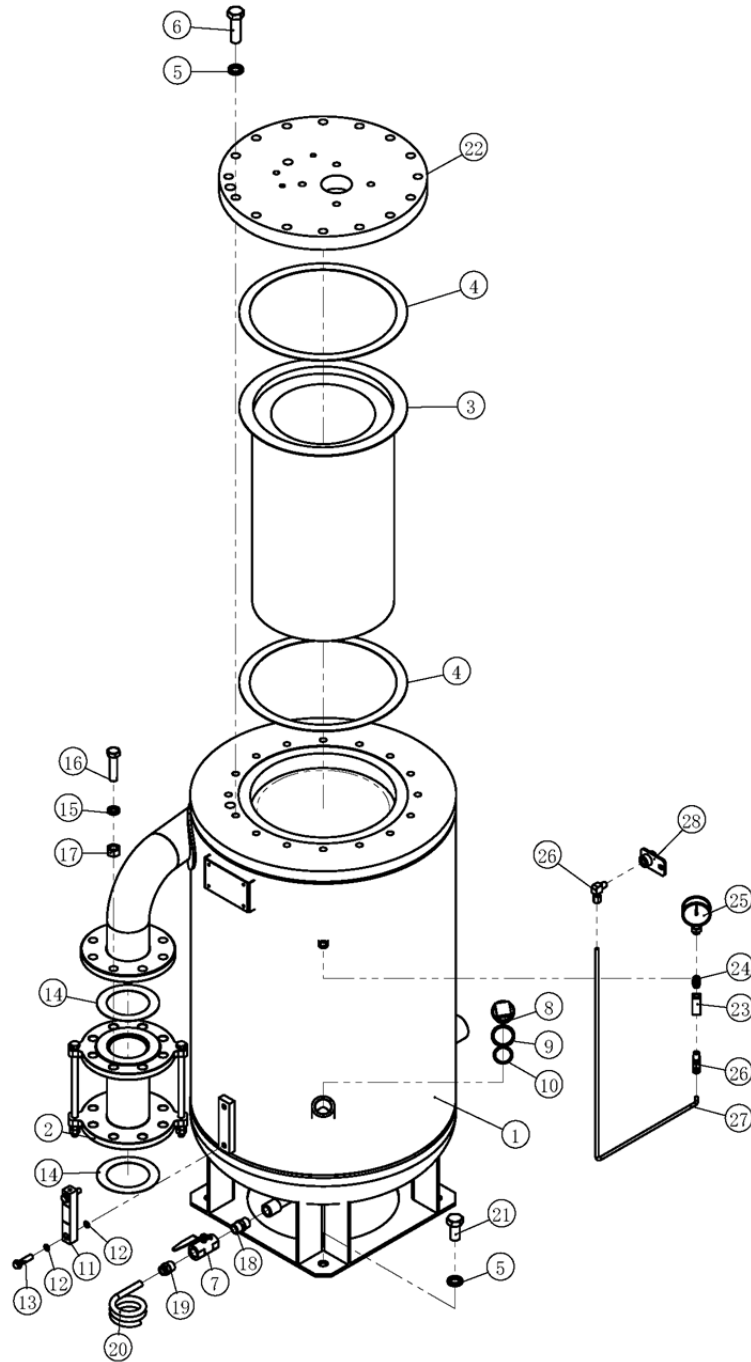
## Base Mounting

---

---

NO.	VERSION	PN	DESCRIPTION	QTY	REMARK
1		02905 00001 00	Absorber	6	
2		01307 12030 00	Bolt	8	M12×30
3		01307 12025 00	Bolt	8	M12×25
4		01365 12000 00	Washer	16	12
5		01365 20000 00	Washer	4	20
6		13031 02001 00	Bolt	4	
7		01322 20000 00	Nut	4	M20
8		17330 00005 00	Fixing plate,shipping	1	
9	S01	91117 02010 03	Base	1	
10	S01	91117 02002 03	Motor support	1	

# Reservoir



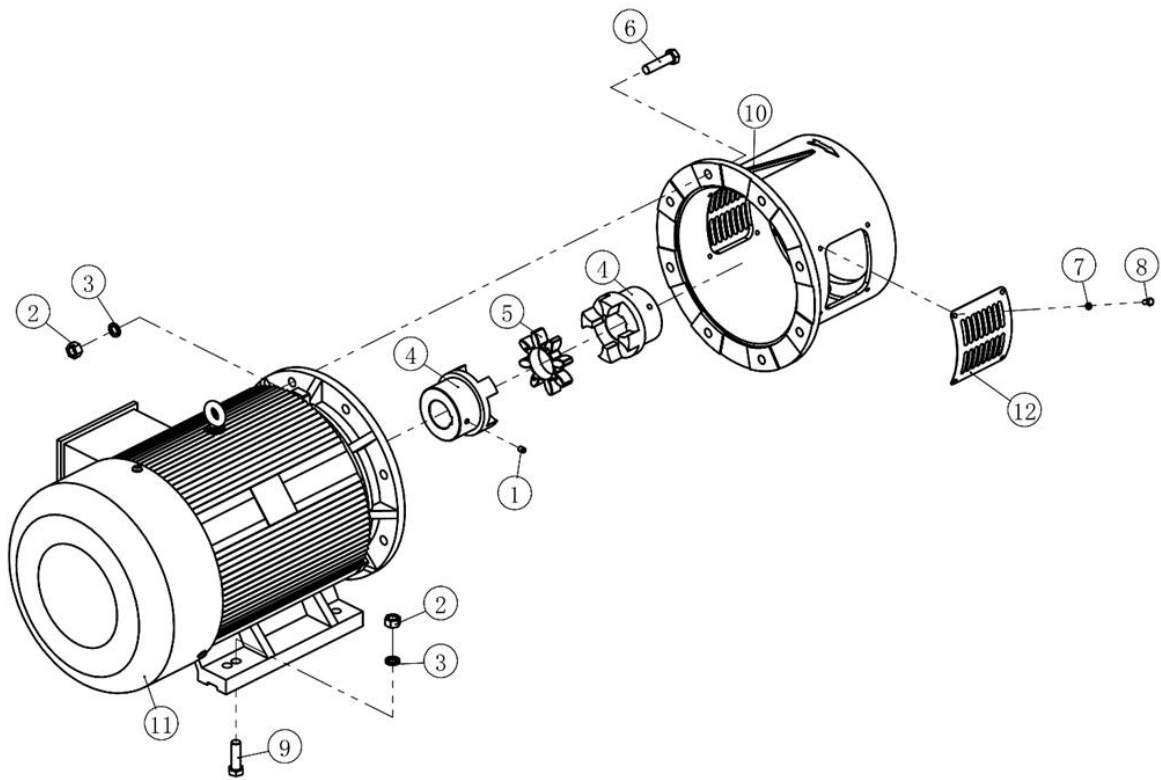
## Reservoir

( / )

NO.	VERSION	PN	DESCRIPTION	QTY	REMARK
1	S01	91117 03010 03	Air/oil separator tank	1	
2		19315 03001 21	Corrugated pipe	1	
3		55300 355500	Air/oil separator element	1	
4		02216 30355 01	Gasket	2	
5		01365 20000 00	Washer	20	20
6		01307 20065 00	Bolt	16	M20×65
7		01613 01500 00	Ball valve	1	DN15
8		13340 03003 00	Plug	1	
9		02201 03320 00	Screw washer	1	
10		02901 03350 30	O ring	1	33.5X3.55
11		13315 03002 00	Sight glass	1	
12		02901 01060 10	O ring	4	10.6X1.8
13		13315 03001 00	Hollow bolt	2	M10X40
14		02216 08016 00	Gasket	2	
15		01365 16000 00	Washer	16	16
16		01306 16065 00	Bolt	16	M16×65
17		01322 16000 00	Nut	16	M16
18		13340 03004 00	Joint	1	
19		01543 21012 00	Joint	1	
20		02917 12500 00	Nylon pipe	1	
21		01307 20040 00	Bolt	4	M20×40
22	S03	22453 03010 74	Lid	1	
23		11476 07003 00	Tee joint	1	1/4
24		18031 07110 00	Joint	1	
25		02801 06301 00	Pressure gauge	1	
26		01513 06130 00	Joint	2	
27		91117 03005 03	Connecting pipe	1	
28		90217 03100 00	Pressure gauge connecting seat	1	

# Driving System and Electrical Motor

---



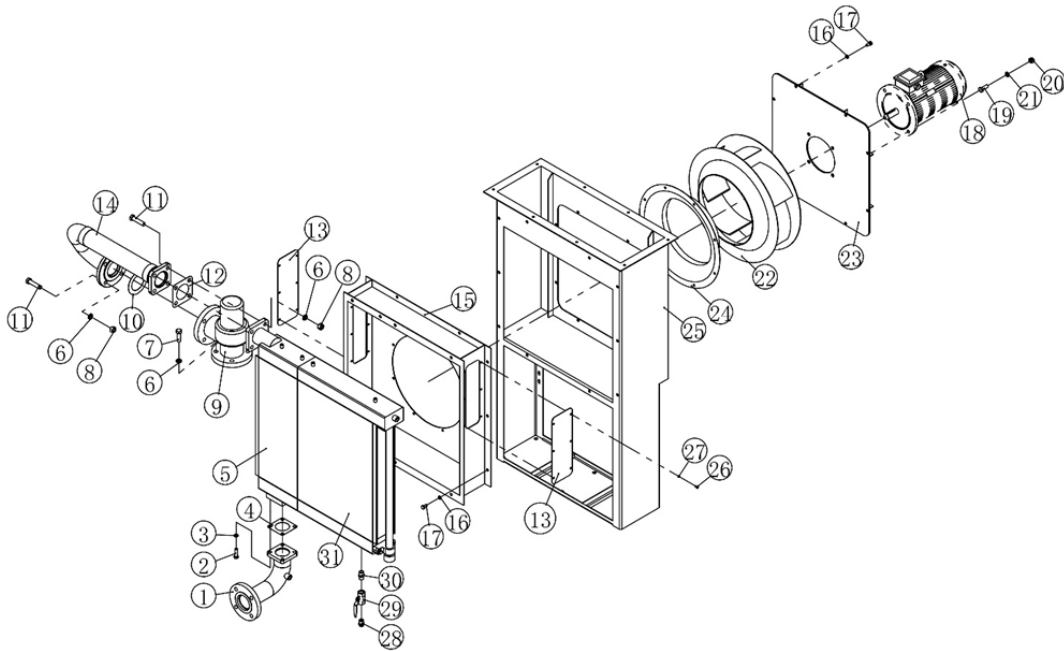
## Driving System and Electrical Motor

---

---

NO.	VERSION	PN	DESCRIPTION	QTY	REMARK
1		01347 10010 00	Set screw	2	M10X10
2		01322 18000 00	Nut	12	M18
3		01365 18000 00	Washer	12	18
4		01905 06506 00	Half coupling	2	
5		01908 06500 00	Elastomer	1	
6		01306 18070 00	Bolt	8	M18×70
7		01365 08000 00	Washer	8	8
8		01307 08016 00	Bolt	8	M8×16
9		01307 18060 00	Bolt	4	M18×60
10		01914 17026 03	Motor adaptor	1	
11		64037 37643 29	Motor	1	
12		01914 17026 03	Coupling guard	2	

# Air Cooler



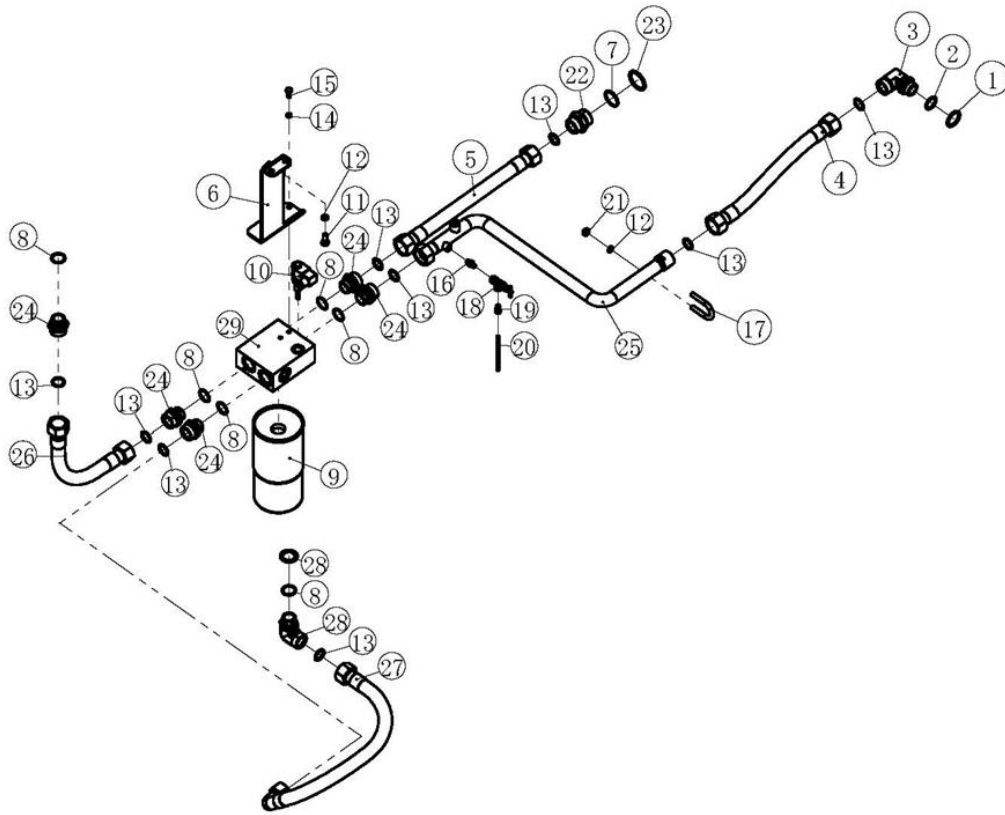
## Air Cooler

(/)

NO.	VERSION	PN	DESCRIPTION	QTY	REMARK
1		91117 05007 03	Air discharge pipe	1	
2		01307 12040 00	Bolt	1	M12×40
3		01365 12000 00	Washer	1	12
4		02217 06504 13	Gasket	1	
5		91117 05012 03	After cooler	1	
6		01365 16000 00	Washer	12	16
7		01307 16050 00	Bolt	4	M16×50
8		01322 16000 00	Nut	8	M16
9		01612 06502 02	MPV	1	
9A*		04006 06502 02	MPV kit	1	Check valve element, non-return spring, O-ring 69.44 X3.53, Pressure maintaining spool, O-ring 104.37X3.53, Spring seat
10		02216 06516 06	Gasket	1	
11		01306 16070 00	Bolt	8	M16×70
12		21315 05003 00	Gasket	1	
13		91031 05006 01	Seal cover	2	
14		91117 05003 03	Air discharge pipe	1	
15		91117 05001 03	Cooler support	1	
16		01365 10000 00	Washer	18	10
17		01307 10020 00	Bolt	18	M10×20
18		66115 37651 25	Motor	1	1.5KW,208-230, 460V,60HZ,IE3
19		01307 14035 00	Bolt	4	M14×35
20		01322 14000 00	Nut	4	M14
21		01365 14000 00	Washer	4	14
22		07262 50028 10	Impeller	1	
23		91217 05003 00	Fan motor fixing plate	1	
24		07262 50000 20	Collector	1	
25		91117 05002 03	Centrifugal fan support	1	
26		01307 06012 00	Bolt	12	M6×12
27		01365 06000 00	Washer	12	6
28		01543 21012 00	Joint	1	
29		01613 01500 00	Ball valve	1	DN15
30		13340 03004 00	Joint	1	
31		91217 05011 03	Oil cooler	1	

# Fluid Piping

---





## Fluid Piping

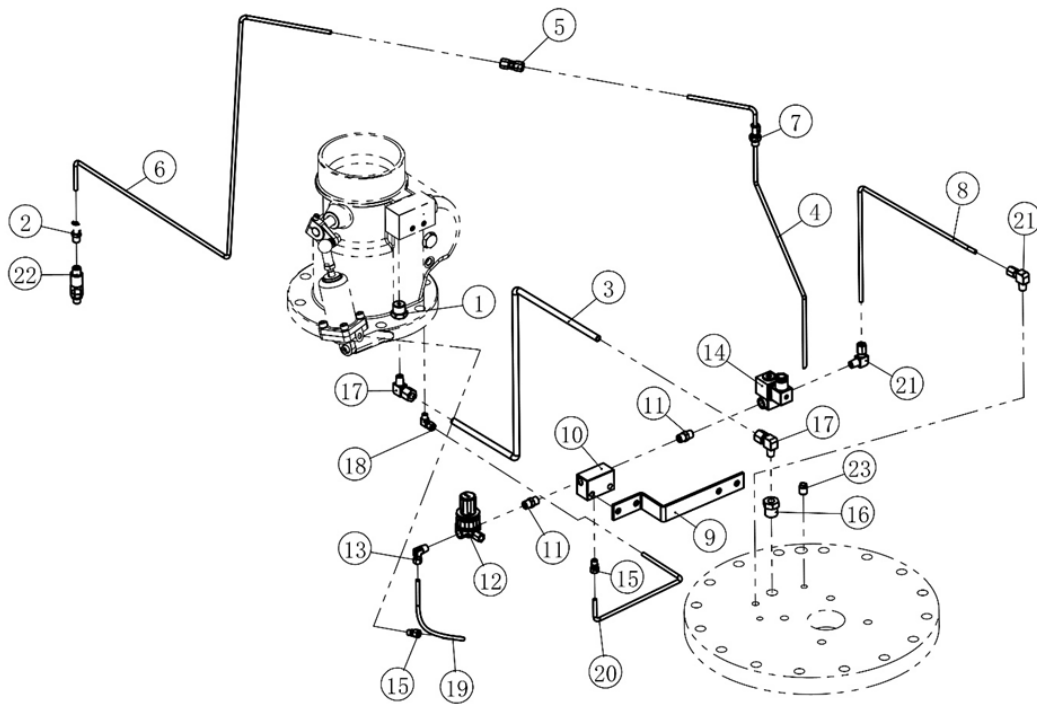
( / )

NO.	VERSION	PN	DESCRIPTION	QTY	REMARK
1		02201 00025 00	Screw washer	1	
2		02901 03000 30	O ring	1	30X3.55
3		18449 06006 00	Adjustable elbow	1	
4		91117 06009 03	Inlet aircend pipe	1	
5		91117 06002 03	Oil pipe	1	Tank to thermal valve
6	S01	91117 06005 03	Oil pipe support	1	
7		02901 03870 30	O ring	1	38.7X3.55
8		02901 91600 30	O ring	6	3-916
9		537705 331800	Oil filter	1	
10		02809 02000 00	Oil filter indicator	1	
11		01307 10025 00	Bolt	2	M10×25
12		01365 10000 00	Washer	4	10
13		02901 02580 30	O ring	9	25.8X3.55
14		01365 08000 00	Washer	4	8
15		01307 08020 00	Bolt	4	M8×20
16		98018 07011 06	Joint	1	
17		01313 03300 00	U bolt	1	33
18		01613 00600 99	Sample valve	1	
19		01511 06100 00	Joint	1	
20		91217 06007 00	Drain pipe	1	
21		01322 10000 00	Nut	2	M10
22		98018 06006 00	Joint	1	
23		02201 00032 00	Screw washer	1	
24		90001 06003 00	Joint	5	
25	S01	91117 06008 03	Oil pipe	1	Outlet thermal valve
26	S01	91117 06003 03	Oil pipe	1	Thermal valve to oil cooler
27	S01	91117 06004 03	Oil pipe	1	Oil cooler to thermal valve
28		90217 06100 00	Adjustable elbow	1	1.3125-12UN-M39X2
29		01611 02516 03	Thermal valve	1	
29A*		04004 02516 00	Thermal valve kit	1	Spring, Plunger, Thermal element, Thread sleeve, Block, Oring 30x2.65, check ring

\*Not shown on the drawing.

# Air Piping

---



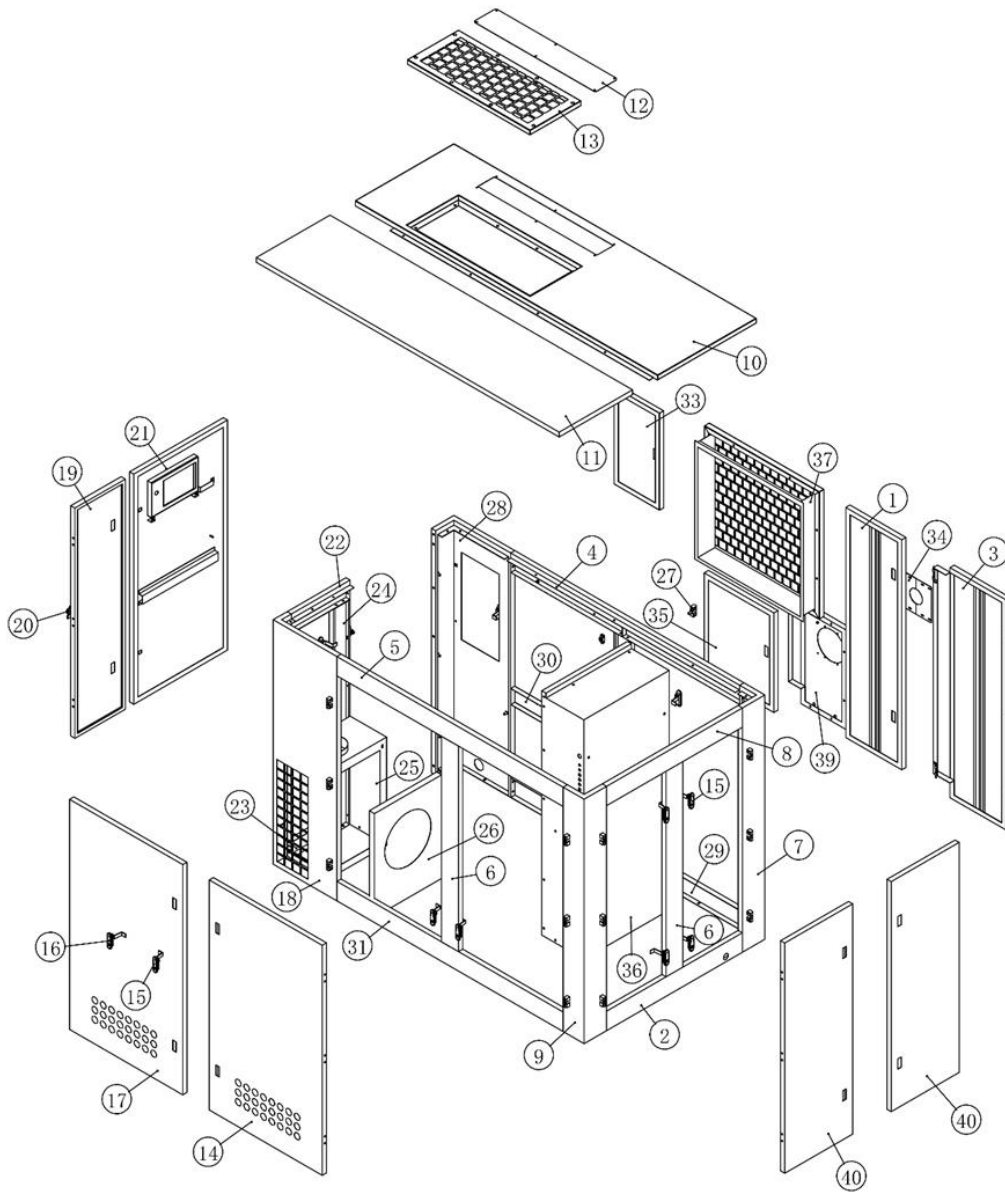
## Air Piping

(/)

---

NO.	VERSION	PN	DESCRIPTION	QTY	REMARK
1		16315 07004 40	Joint	1	
2		01512 06130 00	Joint	1	
3	S01	91117 07003 03	Air control pipe	1	
4	S01	16104 07004 02	Scavenging pipe	1	
5		01558 06000 00	Joint	1	
6	S01	91117 07001 03	Scavenging pipe	1	
7		14435 03300 09	Joint	1	
8	S01	91117 07002 03	Air control pipe	1	
9	S01	20117 07100 00	Mounting plate	1	
10		16315 07005 00	Connecting seat	1	
11		98018 07011 00	Joint	2	
12		01604 00001 00	Reverse proportion valve	1	
13		01517 06130 00	Joint	1	
14		01603 31015 00	Solenoid valve	1	12bar,1.5
15		01511 06100 00	Joint	2	
16		16315 07004 70	Joint	1	
17		01513 10130 00	Joint	2	
18		01517 06100 00	Joint	1	
19		91117 07004 03	Air control pipe	1	
20		91117 07005 03	Air control pipe	1	
21		01513 06130 00	Joint	2	
22		01610 01010 01	Visible check valve	1	
23		02103 00008 02	Plug	1	

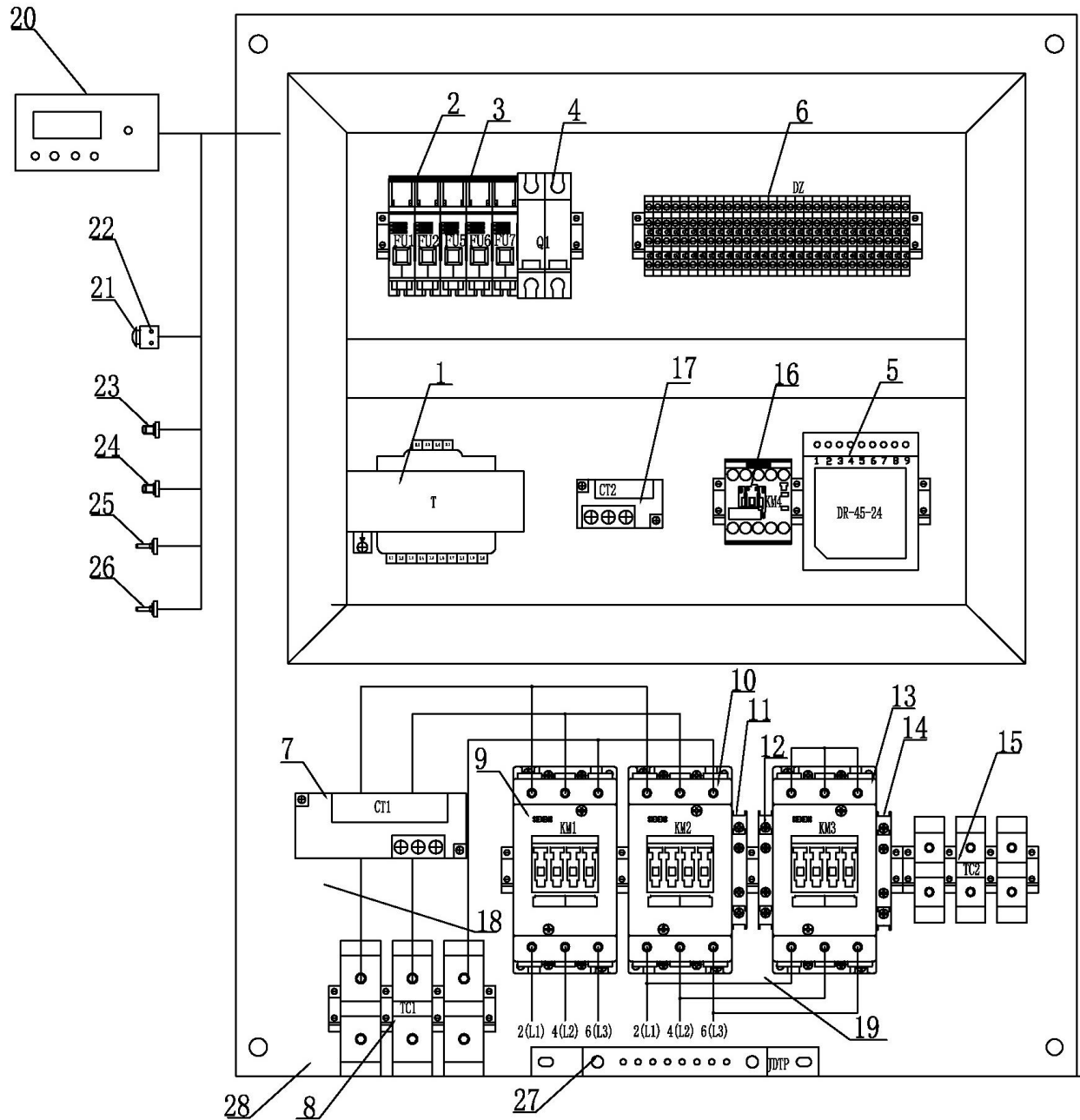
# Canopy



## Canopy

NO.	VERSION	PN	DESCRIPTION	QTY	REMARK
1	S01	91117 08340 03	Door	1	
2	S01	91117 08160 03	Beam	1	
3	S01	91117 08330 03	Door	1	
4	S01	91117 08006 03	Beam	1	
5	S01	91117 08007 03	Beam	1	
6	S01	91031 08440 01	Support	2	
7	S01	91031 08002 01	Support	1	
8	S01	91117 08140 03	Beam	1	
9	S01	91031 08004 01	Support	1	
10	S01	91117 08260 03	Top cover	1	
11	S01	91117 08250 03	Top cover	1	
12	S01	91117 08280 03	Cooler seal plate	1	
13	S01	91117 08270 03	Mesh plate	1	
14	S01	91117 08130 02	Door	1	
15		02702 84301 00	Lock	12	
16		02702 84301 00	Lock	2	
17	S01	91117 08130 01	Door	1	
18	S01	91117 08350 03	Support	1	
19	S01	91117 08380 03	Door	1	
20		02702 71111 03	Lock	2	
21	S01	91031 08230 00	Door	1	
22	S01	91117 08360 03	Beam	1	
23	S01	91117 08390 03	Support	1	
24	S01	91031 08420 01	Support	1	
25	S01	91117 08200 03	Air box	1	
26	S01	91117 08400 03	Motor air inlet port	1	
27		02701 20601 00	Hinge	26	
28	S01	91117 08001 03	Support	1	
29	S01	91117 08170 03	Beam	1	
30	S01	91117 08310 03	Beam	1	
31	S01	91117 08005 03	Beam	1	
32		02702 22200 00	Hinge	2	
33	S01	87031 08410 01	Door	1	
34		01561 00065 00	Discharge seal plate	1	
35	S01	91117 08190 03	Door	1	
36	S01	91117 08320 03	Electrical box	1	
37	S01	91117 08300 03	Air inlet mesh plate	1	
38	S01	91117 08290 03	Support	1	
39	S01	91117 08220 03	Door	1	
40	S01	91117 08230 01	Door	2	

# Electrical Enclosure



# Electrical Enclosure

(FS)

NO.	PN	DESCRIPTION	QTY	REMARK
1	02818 03150 10	Transformer	1	T
2	02820 00001 00	Fuse block	2	FU1-FU2
3	02820 00001 00	Fuse block	3	FU5-FU7
4	02819 06526 00	Miniature breaker	1	Q1
5	02808 04524 00	Switching power supply	1	DR
6	08703 00004 00	Terminal block	30	DZ
7	02824 00200 00	Main motor current transformer	1	CT1
8	08703 00095 00	Terminal	3	TC1
9	02825 60095 01	AC contactor	1	KM1
10	02825 60095 01	AC contactor	1	KM2
11	08705 35921 11	Auxiliary contact	1	FZ
12	08705 35921 11	Auxiliary contact	1	FZ
13	02825 60065 01	AC contactor	1	KM3
14	08705 35921 11	Auxiliary contact	1	FZ
15	08703 00050 00	Terminal	3	TC2
16	02825 60038 00	Fan motor contactor	1	KM4
17	02824 20040 00	Fan motor current transformer	1	CT2
18	08704 01050 00	Cable	1.5m	BVR
19	08705 02035 00	Cable	2.0m	BVR
20	02811 15192 37	Controller	1	XSQ
21	02827 04844 00	Emergency button	1	JT
22	02827 04104 00	Emergency button seat	1	JT
23	02810 01097 00	Pressure sensor	1	DP
24	02810 01097 00	Pressure sensor	1	SP
25	02810 30940 00	Temperature sensor	1	DT
26	02810 30940 00	Temperature sensor	1	ST
27	02829 32020 60	Grounding copper bar	1	JDTP
28		Electrical control board	1	DKB
*29	02821 10002 00	Fuse	3	FU5-FU7
*30	02821 10004 00	Fuse	2	FU1-FU2

Note: \* Items are not shown on the drawing.

# Decals

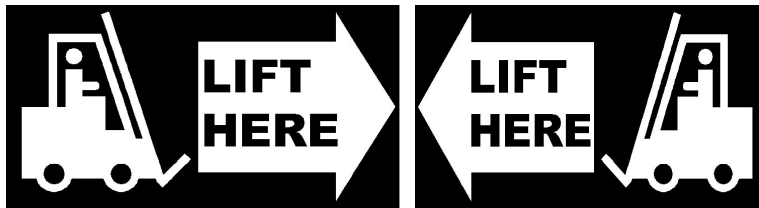
---

Decals information is shown as following.





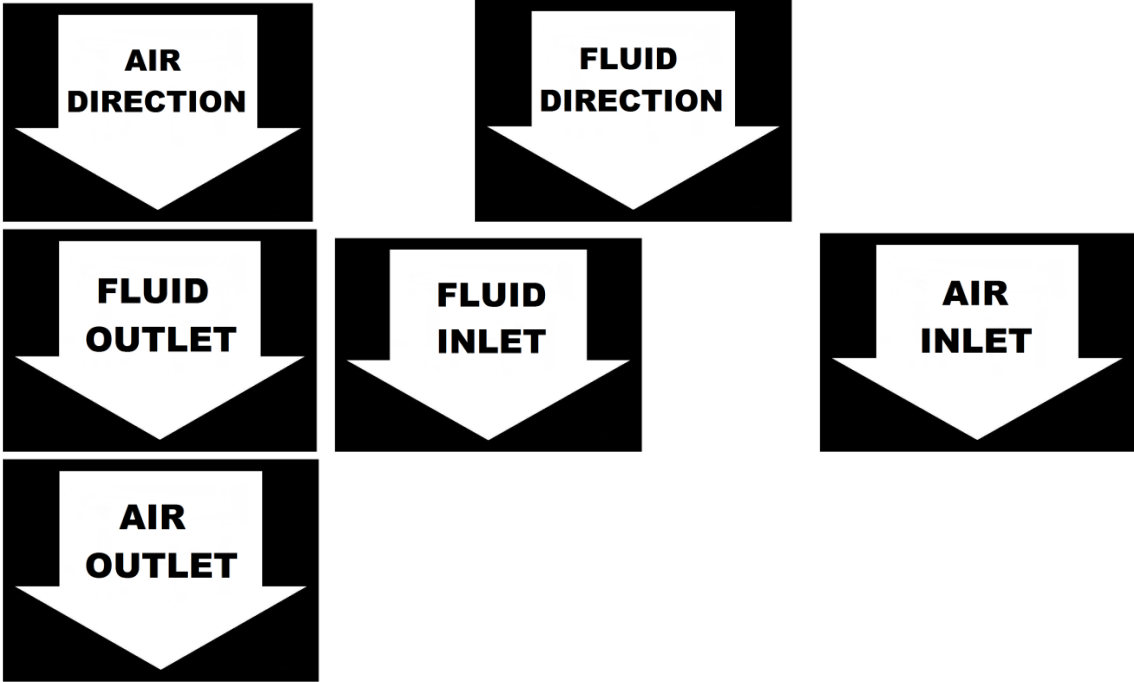
## Decals



### NOTE:

1. DECALS P/N : 142939

# Decals



NOTE:

- 1. DECALS P/N : 142939

## Standard Terms and Conditions

---

These terms and conditions govern the sale of Products (“Rotary Screw Air Compressors and parts”) and provisions of services by Kaishan Technologies Compressor Co. Ltd (Seller) and its authorized representative or buyer. These terms and conditions (“Agreement”) take precedence over Buyer’s supplemental or conflicting terms and conditions to which notice of objection is hereby given. Neither Seller’s commencement of performance or delivery shall be deemed or construed as acceptance of Buyer’s supplemental or conflicting terms and conditions. Kaishan Technologies Compressor’s failure to object to conflicting or additional terms will not change or add to the terms of this agreement. Buyer’s acceptance of the Products and/or Services from Seller shall be deemed to constitute acceptance of the terms and conditions contained herein.

**Orders:** All orders placed by Buyer are subject to acceptance by Seller. Orders may not be canceled or rescheduled without Seller’s written consent. All orders must identify the products, unit quantities, part numbers, applicable prices and requested delivery dates of the Products being purchased. Seller may at its sole discretion allocate Product among its Buyer. Seller may designate certain Products and Services as non-cancelable, non-returnable and the sale of such Products shall be subject to the special terms and conditions contained in Seller’s Customer Acknowledgement or Non-Returnable Product Form, which shall prevail and supersede any inconsistent terms and conditions contained herein or elsewhere.

**Prices:** The prices of the Products are those prices specified on the front of the invoice or contained within an agreed written contract. Price quotations shall automatically expire in thirty (30) days from the date issued, or as otherwise stated in the quotation.

**Taxes:** Unless otherwise agreed to in writing by Seller, all prices quoted are exclusive of transportation and insurance costs, duties, and all taxes including federal, state and local sales, excise and value added, goods and services taxes, and any other taxes. Buyer agrees to indemnify and hold Seller harmless for any liability for tax in connection with the sale, as well as the collection or withholding thereof, including penalties and interest thereon. When applicable, transportation and taxes shall appear as separate items on Seller’s invoice.

**Payment:** Payment may be made by check, money order, credit card, or wire transfer (all fees are borne by the Buyer). Where Seller has extended credit to Buyer, terms of payment shall be net thirty (30) days from date of invoice, without offset or deduction. On any past due invoice, Seller may impose a monthly interest rate. If Buyer fails to make the required payments the Seller will impose the interest rate each month. If Buyer fails to make each payment when it is due, Seller reserves the right to withdraw credit and thereby suspend or cancel performance under any or all purchase orders or agreements in which Seller has extended credit to Buyer. In the event of default by Buyer, Seller shall be entitled to costs, fees, and expenses including but not limited to recovery of attorney fees, court costs and fees, and collections costs.

## Standard Terms and Conditions

---

**Delivery and Title:** The locations of shipment delivery will be made according to the Seller and Buyer agreement. Title and risk of loss pass to the Buyer upon delivery of the Product to the carrier. Seller's delivery dates are estimates only and Seller is not liable for delays in delivery or for failure to perform due to causes beyond the reasonable control of the Seller, nor shall the carrier be deemed an agent of the Seller. A delayed delivery of any part of an Order does not entitle Buyer to cancel other deliveries. Kaishan Technologies Compressor will comply with various federal, state and local laws and regulation concerning occupational health, safety and environment concerns. Buyer has full responsibility to comply with those laws and regulations during the installation and operation of the equipment.

**Acceptance / Returns:** Shipments will be deemed to have been accepted by Buyer upon delivery of the said shipments to Buyer unless rejected upon receipt. Buyer shall perform all inspections and tests. Buyer deems necessary as promptly as possible but in no event later than 7 days after receipt of Products, at which time Buyer will be deemed to have irrevocably accepted the Products. Any discrepancy in shipment quantity must be reported within 7 days after receipt of Products. Buyer may not return Products without a Return Material Authorization ("RMA") number. RMA's valid for 30 days from the date issued.

**Standard Warranty:** Buyer will honor Product warranties and indemnities authorized by the manufacturer, including any transferable. 90 days warranty is given for service parts from receipt date. Seller warrants to Buyer that Products purchased hereunder will conform to the applicable manufacturer's specifications for such products and that any value-added work performed by Seller on such Products will conform to applicable Buyer's specifications. If Seller breaches this warranty, Buyer's remedy is limited to (at Seller's election) (1) refund of Buyer's purchase price for such Product (without interest), (2) repair of such Products, or (3) replacement of such Products provided that such Products must be returned to Seller, along with acceptable evidence of purchase within 13 days from date of delivery, transportation charges prepaid. No warranty will apply if the Product has been subject to misuse, neglect, accident or modification.

**Limitation of Liabilities:** Buyer shall not be entitled to, and Seller shall not be liable for, loss of profit or revenue, promotional or manufacturing expenses, overheads expenses, business interruption cost, loss of data, removal or reinstallation costs, injury to reputation of buyer, punitive damages, loss of contractor orders or any indirect, special, incidental or consequential damages of any nature. Buyer's recovery from seller for any claim shall not exceed the purchase price paid for the affected products irrespective of the nature of the claim whether in contract, tort, warranty, or otherwise. Buyer will indemnify, defend and hold seller harmless from any claims based on (a) Seller's compliance with buyer's designs, specifications, or instructions, (b) Modification of any products by anyone other than Seller, or (c) use in combination with other products not supplied by seller.

## Standard Terms and Conditions

---

**Use of Products:** Unless otherwise specified. Products sold by Seller are not designed, intended or authorized for use in life support, life sustaining, nuclear, or other applications in which the failure of such Products could reasonably be expected to result in personal injury, loss of life or catastrophic property damage. If buyer uses or sales the Products for use in any such applications: (1) Buyer acknowledges that such use or sale is at Buyer's sole risk; (2) Buyer agrees that Seller and the manufacturer of the Products are not liable, in whole or in part, for any claim or damage arising from such use; and (3) Buyer agrees to indemnify, defend and hold Seller and the manufacturer of the Products harmless from and against any and all claims, damages, losses, costs, expenses and liabilities arising out of or in connection with such use or sale.

**Force Majeure:** Seller is not liable for failure to fulfill its obligations for any accepted Order or for delays in delivery due to causes beyond Seller's reasonable control including, but not limited to, acts of God, natural or artificial disaster, riot, war, strike, delay by carrier, shortage of Product, acts or omissions of other parties, acts or omissions of civil or military authority, Government priorities, changes in law, material shortages, fire, strikes, floods, epidemics, quarantine restrictions, acts of terrorism, delays in transportation or inability to obtain labor, materials or products through its regular sources, which shall be considered as an event of force majeure excusing Seller from performance and barring remedies for non-performance. In an event of force majeure condition, the Seller's time for performance shall be extended for a period equal to the time lost as a consequence of the force majeure condition without subjecting Seller to any liability or penalty. Seller may, at its option, cancel the remaining performance, without any liability or penalty, by giving notice of such cancellation to the Buyer.

**General:** (a) Seller will comply with state law for any dispute from buyer. (b) Buyer may not assign this Agreement without the prior written consent of Seller. Seller or its affiliates may perform the obligations under this Agreement. This Agreement is binding on successor and assigns, (c) Products, including software or other intellectual property, are subject to any applicable rights of third parties, such as patents, copyrights and/or user licenses.

## **Appendix**

*(If your machine is standard, this page is blank.)*

## Contact Information

---

Kaishan Compressor, LLC.,  
Add.: 15445 Industrial Park Dr. Loxley, AL , Post code: 36551  
Office number: +1 251-202-0577  
[www.KaishanUSA.com](http://www.KaishanUSA.com)