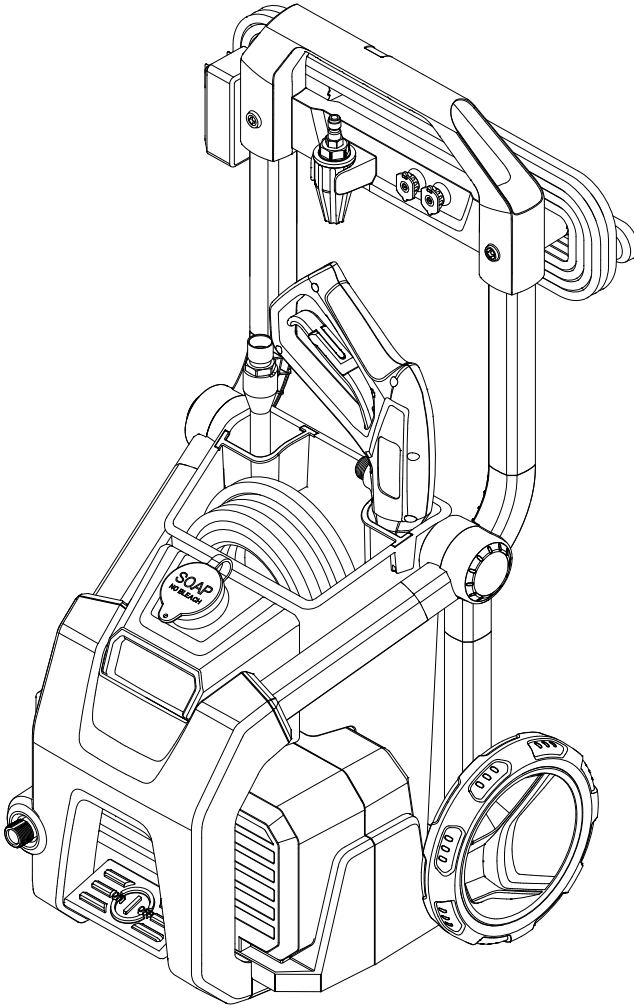


# KÄRCHER

## Electric Pressure Washer



**K1800**  
**1.106-110.0**

**K1810**  
**1.106-115.0**

**Cleaner. Quicker.™**

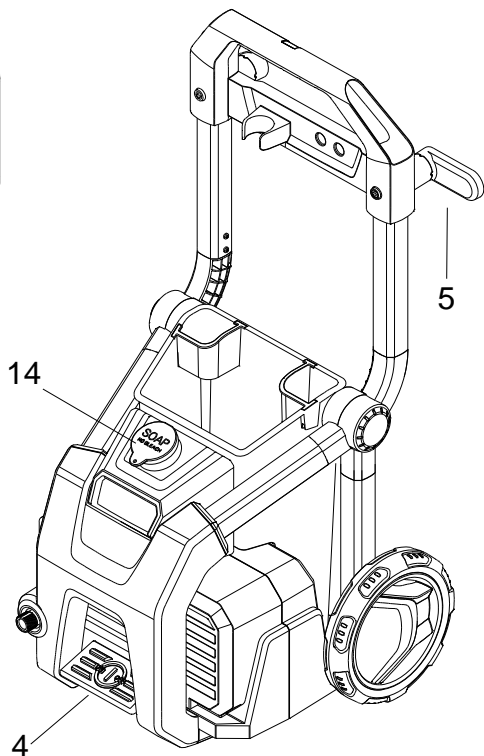
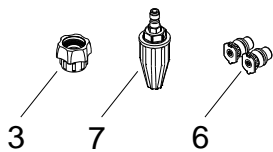
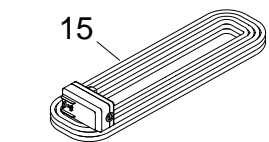
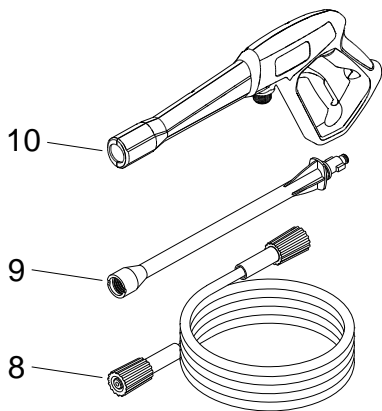
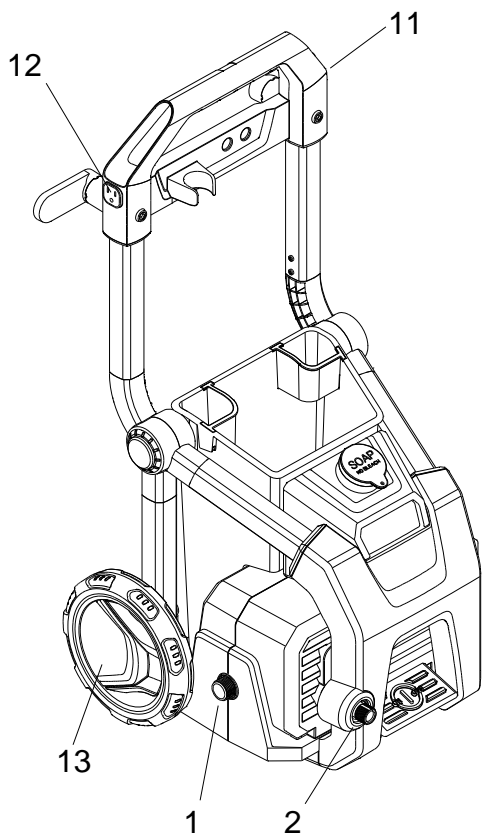


8.638-656.0-C 10/16

# Machine Parts List

---

1. Water Inlet
2. High Pressure Outlet
3. Hose Connector
4. ON/Off Pedal
5. Power Cord Cleat
6. Nozzles
7. Turbo Nozzle
8. High Pressure Hose
9. Spray Wand
10. Spray Gun
11. Handle
12. Plug Storage
13. Wheel
14. Detergent Tank
15. Power Cord



# K1800 Pressure Washer



Please read and comply with these original instructions prior

to the initial operation of your appliance and store them for later use or subsequent owners.

## Contents

Safety Instructions . . . . .	4
Assembly Instructions . . . . .	6
Operating Instructions . . . . .	7
Using the Accessories . . . . .	9
Working with Detergents . . . . .	9
Taking a Break. . . . .	10
Shutting Down & Cleaning Up . . . . .	11
Winterizing & Long Term Storage . . .	12
Maintenance Instructions . . . . .	12
Cleaning Tips . . . . .	13
Optional Accessories . . . . .	14
Troubleshooting . . . . .	16

## Specifications

### K1800 Series

Operating Pressure	1800psi
Max Water Volume	1.2GPM
Amp Draw	14 Amps
Voltage	120V
Model Number	1.106-110.0 1.106-115.0
Serial Number	

## Hazard Levels

### **DANGER**

Indicates “an imminently hazardous situation which, if not avoided, will result in death or serious injury.”

### **WARNING**

Indicates “a potentially hazardous situation which, if not avoided, could result in death or injury.”

### **CAUTION**

Indicates “a potentially hazardous situation which, if not avoided, may result in minor or moderate injury or in property damage incidents.”

## Safety Instructions

### **WARNING**

***When using this product basic precautions should always be followed, including the following:***

- Read all the instructions before using the product.
- To reduce the risk of injury, close supervision is necessary when a product is used near children.
- Know how to stop the product and bleed pressures quickly. Be thoroughly familiar with the controls.
- Stay alert - watch what you are doing.

- Do not operate the product when fatigued or under the influence of alcohol or drugs.
- Keep operating area clear of all persons.
- Do not overreach or stand on unstable support. Keep good footing and balance at all times.
- Follow the maintenance instructions specified in the manual.
- This product is provided with a Ground Fault Circuit Interrupter built into the power cord plug. If replacement of the plug or cord is needed, use only identical replacement parts.

 **WARNING**

***Risk of Injection or Injury – Do Not Direct Discharge Stream At Persons.***

- High-pressure jets can be dangerous if misused. The jet must not be directed at persons, animals, electrical devices, or the unit itself.
- Wear safety goggles and ear protection.

 **WARNING**

***Risk Of Fire/Explosion – Do not spray flammable liquids.***

- Do not use acids, alkaline, solvents, or any flammable material in this product. These products can cause physical injuries to the operator and irreversible damage to the machine.

 **WARNING**

***Risk of Electrocutation***

- Inspect cord before using - Do not use if cord is damaged.

- Keep all connections dry and off the ground.
- Do not touch plug with wet hands.
- Do not use extension cord with this product.
- Connect to individual branch circuit only.

 **CAUTION**

***This unit has been designed for use with cleaning detergents recommended by the manufacturer. The use of other cleaning detergents may affect the operation of the machine and void the warranty.***

 **CAUTION**

***Gun kicks back – Hold with both hands.***

- The trigger gun safety lock prevents the trigger from accidentally being engaged. This safety feature must be engaged when replacing nozzles or not in use.
- This safety feature DOES NOT lock spray in the ON position.

 **WARNING**

- Do not spray electrical connections, electrical outlets or fixtures.
- Do not use with flammable liquids and toxic chemicals.
- High-pressure. Keep clear of nozzle.
- Injection hazard: Equipment can cause serious injury if the spray penetrates the skin. Do not point the gun at anyone or any part of the body. In case of penetration seek medical aid immediately.
- This system is capable of producing 1800 psi. To avoid rupture and injury, do not operate this pump with

components rated less than 1800 psi working pressure (including but not limited to spray guns, hose and hose connections).

- Before servicing, cleaning or removing any parts, shut off power and relieve pressure.
- If connection is made to a potable water system, the system shall be protected against back flow.

## Water Supply (Cold Water Only)

### CAUTION

***When connecting the water inlet to the water supply mains, local regulations of your water company must be observed. In some areas the unit must not be connected directly to the public drinking water supply. This is to ensure that there is no feedback of chemicals into the water supply. Direct connection via a receiver tank or backflow preventer, for example, is permitted.***

***Use a water filter to avoid potential damage from dirt in the water supply***

- Garden hose must be at least 5/8 inch (16 mm) in diameter.
- Flow rate of water supply must not fall below 2 GPM/gallons per minute (7.6 L/min).
- Flow rate can be determined by running the water for one minute into an empty 5-gallon (18.9 liter) container.
- The water supply temperature must not exceed 104°F/40°C.

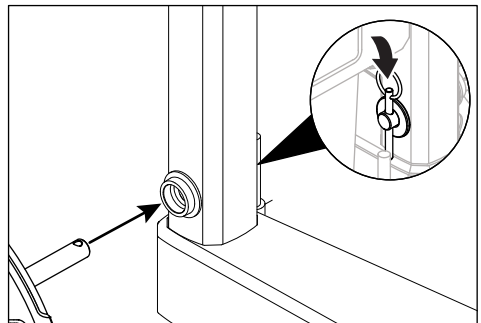
- Never use the pressure washer to draw in water contaminated with solvents, e.g. paint thinners, gasoline, oil, etc.
- Always prevent debris from being drawn into the unit by using a clean water source.

## Ground Fault Circuit Interrupter Protection

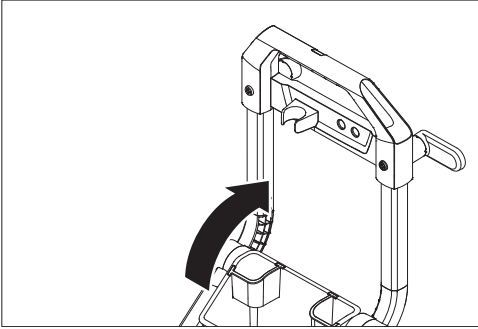
This pressure washer is provided with a ground-fault circuit-interrupter (GFCI) built into the plug of the power-supply cord. This device provides additional protection from the risk of electric shock. Should replacement of the plug or cord become necessary, use only identical replacement parts that include GFCI protection.

## Assembly Instructions

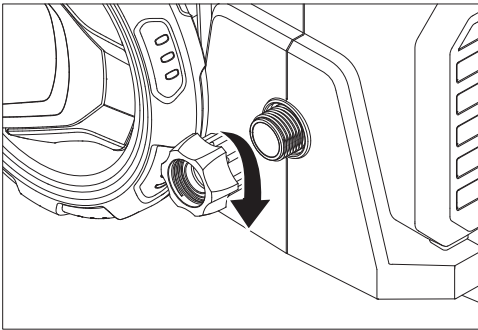
1. Insert wheels into the body of the machine. Secure with axle pin.



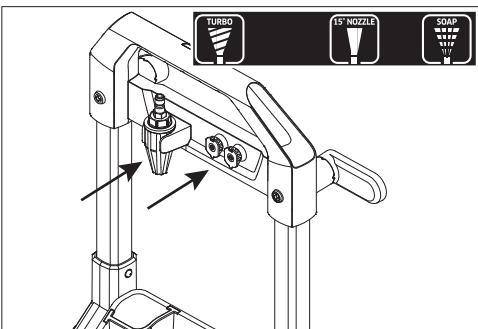
2. Push the handle into place.



3. Install the hose connector to the water inlet.

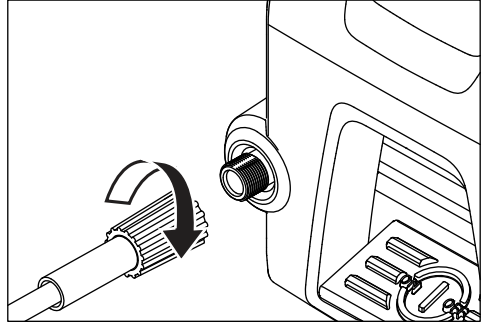


4. Attach nozzles to handle.

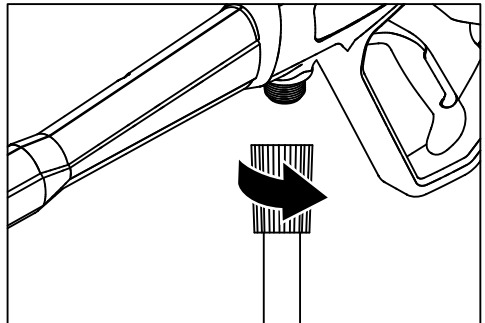


## Operating Instructions

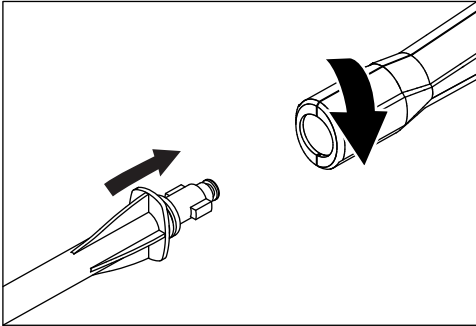
1. Thread one end of the high pressure hose tightly onto the high pressure outlet on the unit.



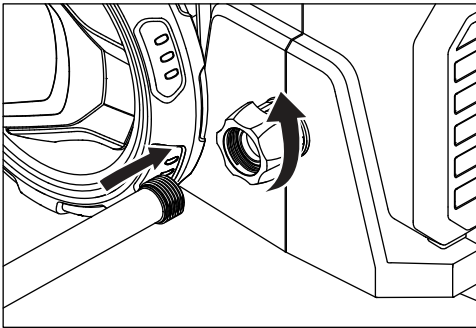
2. Thread the other end of the high pressure hose onto the spray gun inlet.



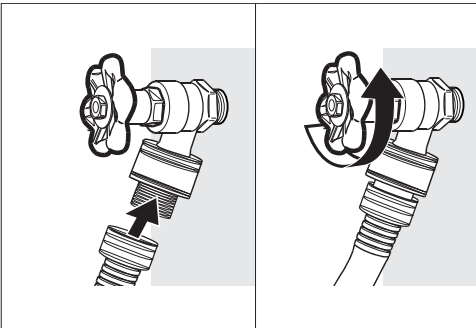
3. Insert the spray wand into the spray gun. Press it against the spring tension and twist into the locked position.



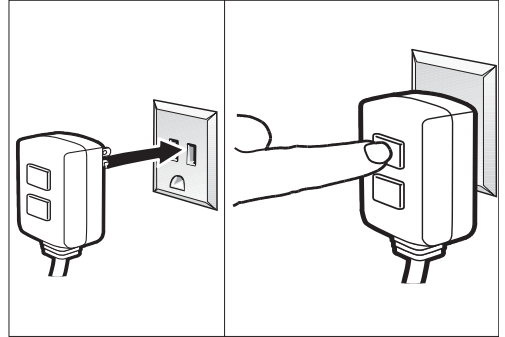
4. Thread the garden hose onto the water inlet connector and hand tighten.



5. Connect the garden hose to the cold water source and turn the water completely on.



6. Plug the Ground Fault Circuit Interrupter (GFCI) into a working outlet. We recommend that you test the GFCI as part of the start up procedure each time you use the machine. To learn how to perform this test, visit [Karcher-help.com/](http://Karcher-help.com/) and search for GFCI.

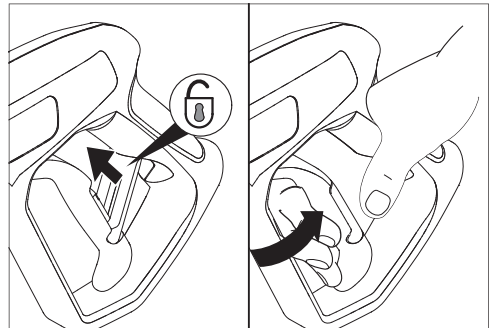


**⚠ WARNING**

**Do not use if GFCI fails test.**

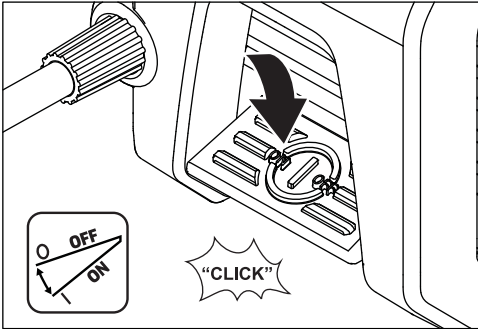
*NOTE: The actual appearance of the GFCI may be different from this illustration.*

7. Unlock the Spray Gun safety lock. Trigger the gun to eliminate trapped air. Wait for a steady flow of water to emerge from the spray nozzle.





8. Turn on the machine by stepping down on the foot pedal.



**The motor starts when the trigger of the gun is pulled and shuts off when the trigger is released.**

## Using the Accessories

### **WARNING**

**To avoid serious injury, never point spray nozzle at yourself, other persons or animals.**

### **CAUTION**

**Always test an inconspicuous area before cleaning with high pressure.**

## Using the Nozzles

Each of the nozzles has a different spray pattern. Before starting any cleaning job, determine the best nozzle for the job.



The Turbo Nozzle rotates in a zero degree spray pattern in a circular motion to break down tough dirt and grime. The spray

pattern can cover an area of 4 to 8 inches (10 to 20 cm), depending on the distance between the tip and the surface being cleaned.



The 15° Nozzle is optimized for concentrated cleaning power and time. Use to remove paint, stains, mildew, oil, compacted dirt and grime from decks, siding, driveways and patios.



The Soap Nozzle is used to apply cleaning solution to any surface. Use to provide a thorough cleaning to all surfaces.

## Working with Detergents

For best results see Cleaning Tips for specific information on how to clean different surfaces.

Always Use Kärcher Detergent for Best Results. Kärcher biodegradable detergents are specially formulated to protect the environment and your pressure washer. The special formula won't clog the suction tube and will protect the internal parts of the pressure washer for a longer life.

For Kärcher detergents, check your retailer or visit our website: [www.Karcher.com/us](http://www.Karcher.com/us)

## CAUTION

### **Never Use:**

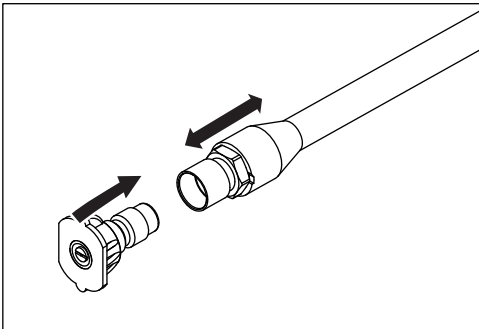
- Bleach, chlorine products and other corrosive chemicals
- Liquids containing solvents (i.e., paint thinners, gasoline, oils)
- Tri-sodium phosphate products
- Ammonia products
- Acid-based products

These chemicals will harm the unit and will damage the surface being cleaned.

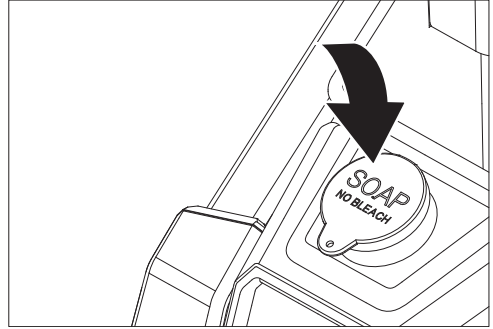
### **Use of these items will void the warranty.**

Detergents can only be applied at low pressure.

1. Install the soap nozzle to the quick connect on the end of the wand.



2. Fill the soap tank with Kärcher detergent.



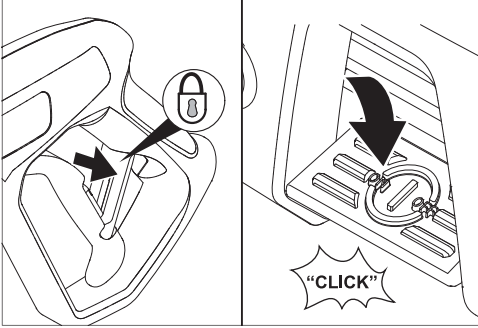
3. Turn on the pressure washer by stepping on the foot pedal. Pull trigger to operate unit. Liquid detergent is drawn into the unit and mixed with water. Apply detergent to work area. Do not allow detergent to dry on surface.
4. To rinse, replace the soap nozzle with the 15° nozzle and pull trigger to operate.
5. Cleaning Up: Always run fresh water through the detergent tank when done to flush any remaining detergents from the injection system.

## **Taking a Break five minutes or more**

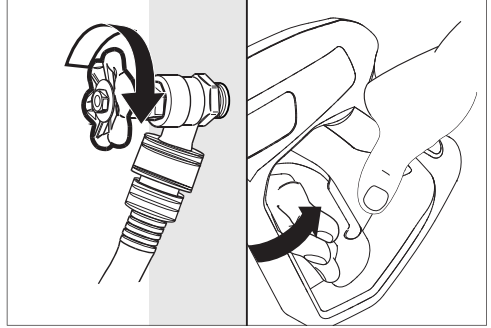
---

1. Release trigger and engage gun safety lock.

2. Turn pressure washer OFF by stepping on the foot pedal.

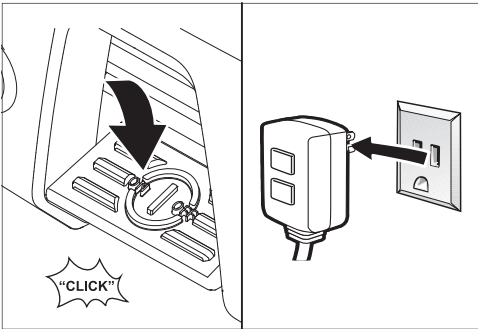


3. Press trigger to release water pressure.



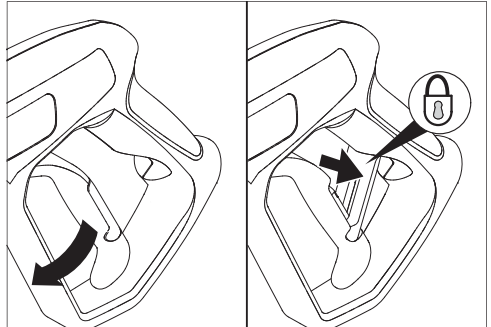
## Shutting Down & Cleaning Up

1. Turn the machine off by stepping on the foot pedal and unplug the cord from the outlet.

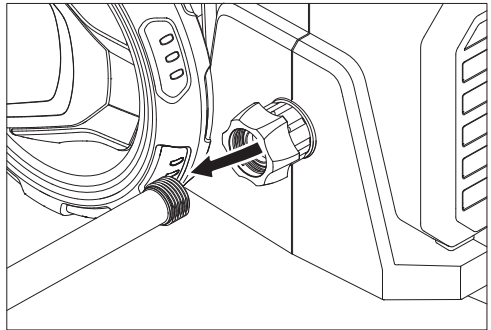


2. Turn off the water source.

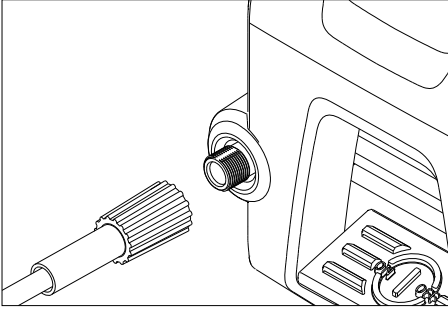
4. Release trigger and engage the gun safety lock.



5. Disconnect the garden hose from the water inlet on the machine.



6. Unthread and disconnect the high pressure hose from the machine.



## Winterizing & Long Term Storage

1. Disconnect all water connections.
2. Turn on the machine for a few seconds, until the water which had remained in the pump exits, turn off immediately.
3. Do not allow high-pressure hose to become kinked.
4. Store the machine and accessories in a room which does not reach freezing temperatures. DO NOT store near furnace or other sources of heat as it may dry out the pump seals.



### CAUTION

***Failure to follow the above directions will result in damage to the pump assembly and accessories and will void the warranty.***

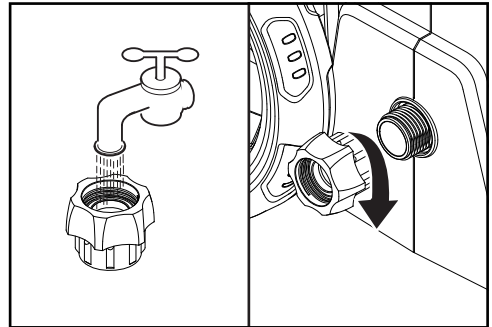
***Kärcher also recommends the regular practice of using a pump protector like “Kärcher Pump Guard” to prevent cold weather***

***damage during storage in the winter months.***

## Maintenance Instructions

### Cleaning the Water Inlet Filter

1. Disconnect the connector from the water inlet.
2. Rinse out the water inlet filter in warm water.
3. Thread the connector into the water inlet.



## Maintenance

This unit is maintenance free

## Cleaning Tips

---



### CAUTION

- Before cleaning any surface an inconspicuous area should be cleaned to test spray pattern and distance for maximum cleaning results.
- If painted surfaces are peeling or chipping, use extreme caution as pressure washer may remove the loose paint from the surface.
- When using on surfaces which might come in contact with food, flush surfaces with plenty of drinking water.
- For additional cleaning tips, visit our website:

[www.Karcher.com/us/](http://www.Karcher.com/us/)

## Deck Cleaning

---

### (With or without detergent).

Pre-rinse deck and surrounding area with fresh water. If using detergent, apply to surface at low pressure. For best results, limit your work area to smaller sections of approximately 25 sq. ft (2.3 m<sup>2</sup>). Allow detergent to remain on surface 1-3 minutes. Do not allow detergent to dry on surface. Rinse at high-pressure in a long sweeping motion keeping the spray nozzle approximately 3-6 in. (7.5-15 cm) from the cleaning surface. Always clean from top to bottom and from left to right. When moving on to a new section of the cleaning surface, be sure to overlap the previous section to eliminate stop marks and ensure a more even cleaning result.

## House Siding

---

### (With or without detergent).

Pre-rinse cleaning surface with fresh water. If using detergent, apply to surface at low pressure. For best results, limit your work area to smaller sections of approximately 6sq. ft. (1.8 m). Always apply detergent from bottom to top. Allow detergent to remain on surface 1-3 minutes. Do not allow detergent to dry on surface, if surface appears to be drying, simply wet down surface with fresh water. If needed, use special wash brush attachment (not included) to remove stubborn dirt. Rinse at high-pressure from top to bottom in an even sweeping motion keeping the spray nozzle approximately 6 ft. (1.8 m) from the cleaning surface.

## Cement Patios, Brick and Stone

---

### (With or without detergent).

Pre-rinse cleaning surface with fresh water. If using detergent or degreaser, apply to surface at low pressure. For best results, limit your work area to smaller sections of approximately 25 sq. ft. (2.3 m<sup>2</sup>). Allow detergent or degreaser to remain on surface 1-3 minutes. Do not allow detergent to dry on surface. Rinse at high pressure in a sweeping motion keeping the spray nozzle approximately 3-6 in. (7.5-15 cm) from the cleaning surface. For best results clean from top to bottom and from left to right. For

removing extremely stubborn stains, use the Turbo Nozzle.

## Cars, Boats and Motorcycles

---

### **(With or without detergent).**

Pre-rinse vehicle with fresh water. If using detergent, apply to surface at low pressure. For best results, clean one side of vehicle at a time and always apply detergent from bottom to top, do not allow detergent to dry on surface. If needed, use special wash brush attachment (not included) to remove stubborn dirt. Rinse at high-pressure in a sweeping motion keeping the spray nozzle approximately 6-8 in. (15-20 cm) from the cleaning surface (distance should increase when rinsing pin-striping or other sensitive surfaces). For best results clean from top to bottom and from left to right. For best results, wipe surface dry with a chamois or soft dry cloth.

## Barbecue Grills, Outdoor Power Equipment and Gardening Tools

---

### **(With or without detergent).**

Pre-rinse cleaning surface with fresh water. If using detergent or Degreaser, apply detergent at low pressure. Allow detergent to remain on surface 1-3 minutes. Do not allow detergent to dry on surface. Rinse at high-pressure keeping the spray nozzle approximately 3-6 in. (7.5-15 cm) from the cleaning surface. For removing extremely stubborn dirt, it may be

necessary to move the spray nozzle even closer to the surface for greater dirt cutting action.

## Patio and Lawn Furniture

---

### **(With or without detergent).**

Pre-rinse furniture and surrounding area with fresh water. If using detergent, apply to surface at low pressure. Allow detergent to remain on surface 1-3 minutes. Do not allow detergent to dry on surface. If needed use special Wash Brush Attachment (not included) to remove stubborn dirt. Rinse at high-pressure in a sweeping motion keeping the spray nozzle approximately 3-6 in. (7.5-15 cm) from the cleaning surface. For best results, clean from top to bottom and from left to right.

## Optional Accessories

---

*Optional accessories are available to further enhance your cleaning capabilities. These accessories are accurate as of the printing date of this manual. Please check our website for pricing and up-to-date information.*

## **Pump Guard**

---

Specially formulated to protect your pressure washer from freezing, corrosion and premature wear. The Pump Guard also adds lubrication to valves and seals to prevent sticking. Highly recommended for all Kärcher pressure washers!

**Part Number 9.558-998.0**

# Troubleshooting



## **WARNING**

***Disconnect the unit from the power source before making any repairs.***

<b>Symptom</b>	<b>Cause</b>	<b>Solution</b>
<b>Motor will not start</b>	Power Cord not plugged in.	Plug in Power Cord.
	Electrical Outlet does not supply adequate power.	Try a different outlet.
	Tripped GFCI plug.	Press "Reset" button on GFCI plug.
	Tripped Circuit Breaker.	Reset circuit breaker.
	Thermal Overload Open.	Switch off pressure washer. The reset comes automatically once the temperature of the unit drops.
	On/Off pedal is in the "OFF" position.	Turn pedal to the "ON" position.
<b>Unit does not reach high pressure</b>	Diameter of garden hose is too small.	Replace with a 5/8 inch (16mm) or larger garden hose.
	Water supply is restricted.	Check garden hose for kinks, leaks and blockage.
	Not enough inlet water supply.	Open water source full force.
	Water inlet filter is clogged.	Remove garden hose adapter and rinse out in warm water.
<b>Output pressure varies high and low</b>	Not enough inlet water supply.	Open water source full force. Check garden hose for kinks, leaks and blockage.



<b>Symptom</b>	<b>Cause</b>	<b>Solution</b>
<b>Output pressure varies high and low</b>	Pump is sucking in air.	Check that hoses and fittings are air tight. Turn off machine and purge pump by squeezing trigger gun until a steady flow of water emerges through the nozzle.
	Water inlet filter is clogged.	Remove garden hose adapter and rinse out in warm water.
	Spray Nozzle is obstructed.	Blow out or remove debris with a fine needle.
	Calcified gun, hose or spray wand.	Run distilled vinegar through soap tank.
<b>No Detergent</b>	Detergent tube is not connected to the detergent tank.	Check connection.
	Detergent is too thick	Dilute detergent. For best results, use Kärcher detergent.
	Kinked detergent tube.	Check detergent tube, remove or straighten kinks.
	A high pressure nozzle is attached.	Make sure the nozzle is the Soap Nozzle.
	Spray Nozzle is obstructed.	Blow out or remove debris with a fine needle.
<b>Garden hose connection leaks</b>	Loose fittings.	Tighten fittings.
	Missing/worn rubber washer.	Insert new washer.
<b>Spray wand leaks</b>	Spray wand not properly attached.	Insert the spray wand into the trigger gun. Carefully press in against the spring tension and twist into the locked position.
	Broken o-ring or plastic insert.	Visit <a href="http://www.karcher-help.com">www.karcher-help.com</a> or locate a service center.

Symptom	Cause	Solution
Pump is noisy	Pump is sucking in air.	Check that hoses and fittings are air tight. Turn off machine and purge pump by squeezing trigger gun until a steady flow of water emerges through the nozzle.
Water leaks from pump (up to 10 drops per minute is permissible).	Loose fittings.	Tighten fittings.
	Water seals are damaged or worn.	Visit <a href="http://www.karcher-help.com">www.karcher-help.com</a> or locate a service center.
Oil Drip	Oil Seals are damaged or worn.	Visit <a href="http://www.karcher-help.com">www.karcher-help.com</a> or locate a service center.

***If the symptom you are experiencing is not listed above, or if the provided solutions do not solve your issue, please visit our extensive online troubleshooting database at:***

**USA/Canada:**

[www.karcher-help.com](http://www.karcher-help.com)

**Mexico:**

[www.karcher.com.mx](http://www.karcher.com.mx)

Or Call:

1-800-537-4129