

# PNEUDRI MiDAS

## Product Selection

Model	Pipe Size	Inlet Flowrates			
		L/S	m <sup>3</sup> /min	m <sup>3</sup> /hr	cfm
DAS1	3/8"	1	0.09	5.1	3
DAS2	3/8"	2	0.14	8.5	5
DAS3	3/8"	4	0.23	13.6	8
DAS4	3/8"	5	0.28	17.0	10
DAS5	3/8"	6	0.37	22.1	13
DAS6	3/8"	7	0.43	25.5	15
DAS7	3/8"	9	0.57	34.0	20



Stated flows are for operation at 7 bar g (100 psi g) with reference to 20°C, 1 bar a, 0% relative water vapour pressure. For flows at other pressures, apply the correction factors shown.

## Dryer Performance

Dryer Models	*Dewpoint (Standard)		ISO8573-1:2010 Classification (standard)	*Dewpoint (Option 1)		ISO8573-1:2010 Classification (Option 1)
	°C	°F		°C	°F	
DAS	-40	-40	Class 2	-70	-100	Class 1

## Technical Data

Dryer Models	Min Operating Pressure		Max Operating Pressure		Min Inlet Temperature		Max Inlet Temperature		Max Ambient Temperature	
	bar g	psi g	bar g	psi g	°C	°F	°C	°F	°C	°F
DAS	4	58	12	175	2	35	50	122	55	131

Dryer Models	Electrical Supply (Standard) Tolerance ± 10%	Electrical Supply (Optional) Tolerance ± 10%	Thread Connection	Noise Level (average)	Electronic Controller Options	Function	
				dB(A)		Power On Indication	Service Interval Indication
DAS	230 / 1ph / 50Hz	115 / 1ph / 60Hz	BSPP or NPT	<75	DAS	•	•

For fully pneumatic applications, a PNEUDRI MINI range is available.  
Please contact Parker domnick hunter for further information.

## Correction Factors

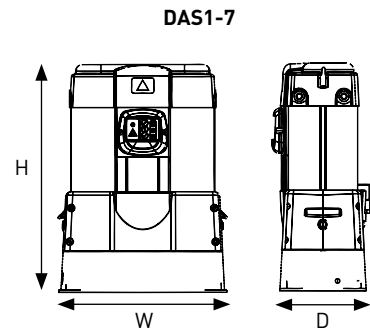
Temperature Correction Factor CFT							
Maximum Inlet Temperature	°C	25	30	35	40	45	50
	°F	77	86	95	104	113	122
	CFT	1.00	1.00	1.00	1.04	1.14	1.37

Pressure Correction Factor CFP										
Minimum Inlet Pressure	bar g	4	5	6	7	8	9	10	11	12
	psi g	58	73	87	102	116	131	145	160	174
	CFP	1.60	1.33	1.14	1.00	1.03	0.93	0.85	0.78	0.71

Dewpoint Correction Factor CFD			
Required Dewpoint	Standard		Option 1
	PDP °C	-40	-70
	PDP °F	-40	-100
CFD	1.00	1.43	

## Weights and Dimensions

Model	Pipe Size	Dimensions						Weight	
		Height (H)		Width (W)		Depth (D)		Kg	lbs
		mm	ins	mm	ins	mm	ins		
DAS1	3/8"	422	16.6	289	11.4	149	5.9	11	24.2
DAS2	3/8"	500	19.7	289	11.4	149	5.9	13	28.7
DAS3	3/8"	616	24.2	289	11.4	149	5.9	16	35.3
DAS4	3/8"	692	27.2	289	11.4	149	5.9	18	39.7
DAS5	3/8"	847	33.3	289	11.4	149	5.9	20	44.1
DAS6	3/8"	906	35.7	289	11.4	149	5.9	23	50.7
DAS7	3/8"	1098	43.2	289	11.4	149	5.9	28	61.7



## Recommended Filtration

Model	Filter Pipe Size BSPT or NPT	Inlet General Purpose Pre-filter	Inlet High Efficiency Filter	Outlet Dust Filter
DAS1	3/8"	AO005B □ FX	Built into dryer	Built into dryer
DAS2	3/8"	AO005B □ FX		
DAS3	3/8"	AO005B □ FX		
DAS4	3/8"	AO005B □ FX		
DAS5	3/8"	AO005B □ FX		
DAS6	3/8"	AO0010B □ FX		
DAS7	3/8"	AO0010B □ FX		

\*MiDAS dryers include integral high efficiency pre and general purpose dust filters.

□ = G (BSPP) or N (NPT)