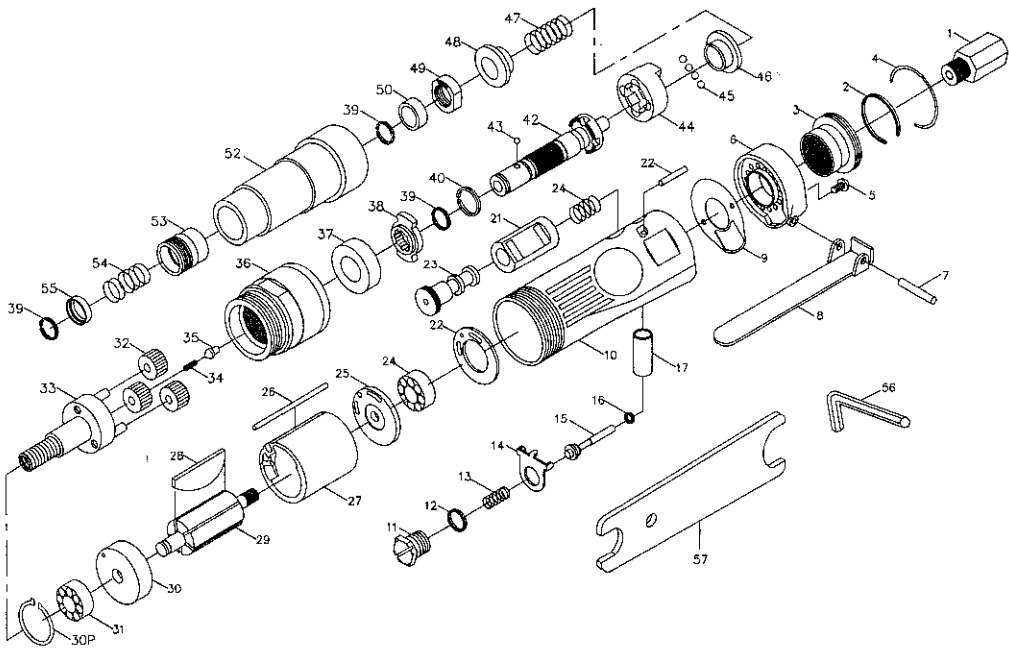


## Model # R3511 1/4" Hex. Straight Grip Adj. Clutch Air Screwdriver



### Replacement Part list for R3511 1/4" REVERSIBLE SCREWDRIVER

Index No.	Part No.	Description	No. Req.
1	R3511-1	Inlet Bushing	1
2	R3511-2	Circlip	1
3	R3511-3	Deflector	1
4	R3511-4	O-Ring	1
5	R3511-5	Screw	2
6	R3511-6	Housing Cap	1
7	R3511-7	Pin	1
8	R3511-8	Throttle Lever	1
9	R3511-9	Housing Gasket	1
10	R3511-10	Motor Housing	1
11	R3511-11	Valve Screw	1
12	R3511-12	O-Ring	1
13	R3511-13	Valve Spring	1
14	R3511-14	Reverse Retainer	1
15	R3511-15	Valve	1
16	R3511-16	O-Ring	1
17	R3511-17	Valve Bushing	1
18	R3511-18	Reverse Valve	1
19	R3511-19	Reverse Spring	1
20	R3511-20	Reverse Bushing	1
22	R3511-22	Motor Gasket	1
24	R3511-24	Ball Bearing	1
25	R3511-25	Rear End Plate	1
26	R3511-26	Motor Pin	1
27	R3511-27	Cylinder	1
28	R3511-28	Rotor Blade	5
29	R3511-29	Rotor	1

Index No.	Part No.	Description	No. Req.
30	R3511-30	Front End Plate	1
30P	R3511-30P	Retaining Ring	1
31	R3511-31	Ball Bearing	1
32	R3511-32	Planet Gear	3
33	R3511-33	Planet Carrier	1
34	R3511-34	Spring	1
35	R3511-35	Spring Guide	1
36	R3511-36	Gear Housing	1
37	R3511-37	Ball Bearing	1
38	R3511-38	Drive Dog	1
39	R3511-39	Retaining Ring	3
40	R3511-40	Retaining Ring	1
42	R3511-42	Cam Spindle	1
43	R3511-43	Steel Ball	1
44	R3511-44	Clutch Carrier	1
45	R3511-45	Steel Ball	4
46	R3511-46	Ball Seat	1
47	R3511-47	Spring	1
48	R3511-48	Washer	1
49	R3511-49	Adjusting Nut	1
50	R3511-50	Sleeve Bearing	1
52	R3511-51	Clutch Housing	1
53	R3511-53	Ball Releaser	1
54	R3511-54	Spring	1
55	R3511-55	Washer	1
56	R3511-56	1/4" Hex Wrench	1
57	R3511-57	Spanner	1