

SCHULZ OF AMERICA, INC.

5 hp Direct Coupling
Compressor

The best option
available is within your
reach. Choose Schulz, be Audaz.



SCHULZ
HEAVY DUTY

5 hp

5 hp

5 hp

SCHULZ
HEAVY DUTY

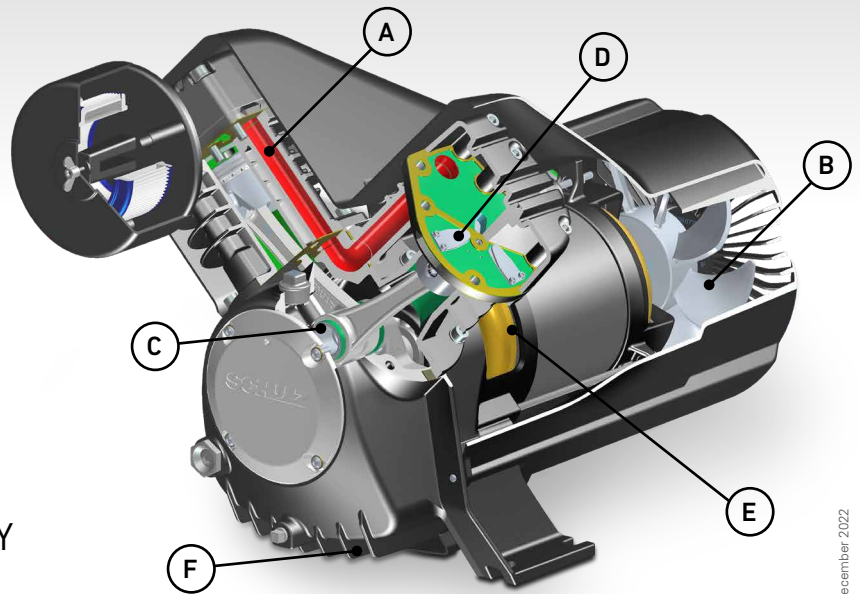
NEW PRODUCT

IT COULD ONLY BE SCHULZ

www.schulzamerica.com



5 HP DIRECT COUPLING COMPRESSOR



December 2022

(A) IC-TECH® PATENTED TECHNOLOGY
Integrated connection between high efficiency stages

LONGEST SERVICE LIFE

- (B)** Forced-flow air cooling system that reduces the operating temperature of the compressor.
- (C)** Higher lubrication capacity in the moving parts.
- (D)** Robust and long-lasting stainless-steel valve system.

SAFE

- (E)** No exposed rotating parts (no flywheel, pulley or belt).

20% LESS ENERGY CONSUMPTION

- (E)** Direct coupling - reduces energy loss during transmission.

EASY AND LOW-COST MAINTENANCE

- (E)** No belt drive.
- (F)** Longer oil life - up to 300 hours (between changes).
 - Lower operating temperature: reduces wear on the components.

Ideal for repair shops, small tool shops, service stations, woodwork shops, metalwork shops, paint shops, auto repair, small industries, among others.



MODEL	CODE	Displacement	Max WP	Motor			Pump RPM	ASME Tank	Dimensions	Weigh	FAD (CFM)
		CFM	PSI	hp	phase	volt		gal	LxWxH (inches)		lb
MCSV 20 AP AUDAZ	932.9364-0	20	175	5	single	230	1,750	80	24 x 28 x 67	352	14.2
MCSV 20 AP AUDAZ	932.9363-0	20	175	5	three	230	1,750	80	24 x 28 x 67	358	14.2
MCSV 20 AP AUDAZ	932.9372-0	20	175	5	single	230	1,750	80	55 x 23 x 45	368	14.2
MCSV 20 AP AUDAZ	932.9371-0	20	175	5	three	230	1,750	80	55 x 23 x 45	362	14.2



SCHULZ
OF AMERICA, INC.

3500, Lake City Industrial Court | Acworth | GA 30101
Phone # (770) 529.4731 | Fax # (770) 529.4733
orders@schulzamerica.com | www.schulzamerica.com

The images are for illustrative purposes only. Schulz reserves the right to make technical and design changes without prior notice, while preserving the product quality.