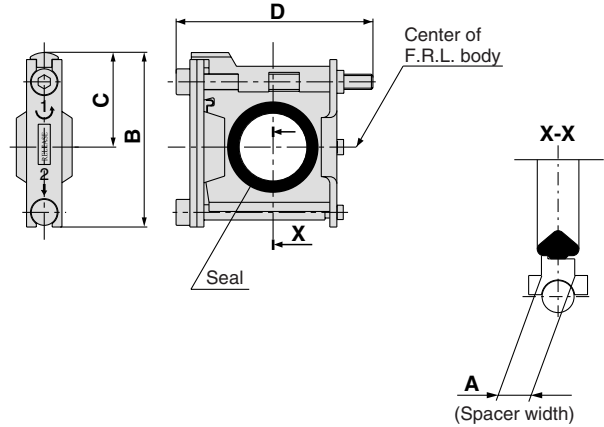
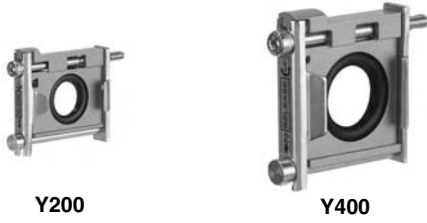


# Series AC Spacers/Brackets Accessories

## Spacer



| Model | A | B    | C    | D  | Applicable model  |
|-------|---|------|------|----|---|
| Y100  | 6 | 27   | 15   | 33 | AC10, AC10A, AC10B                                      |
| Y200  | 3 | 35.5 | 18.5 | 48 | AC20□   |
| Y300  | 4 | 47   | 26   | 59 | AC25□, AC30□  |
| Y400  | 5 | 57   | 31   | 65 | AC40□   |
| Y500  | 5 | 61   | 33   | 75 | AC40□-06  |
| Y600  | 6 | 75.5 | 41   | 86 | AC50, AC55, AC60<br>AC50A, AC60A<br>AC50B, AC55B, AC60B |

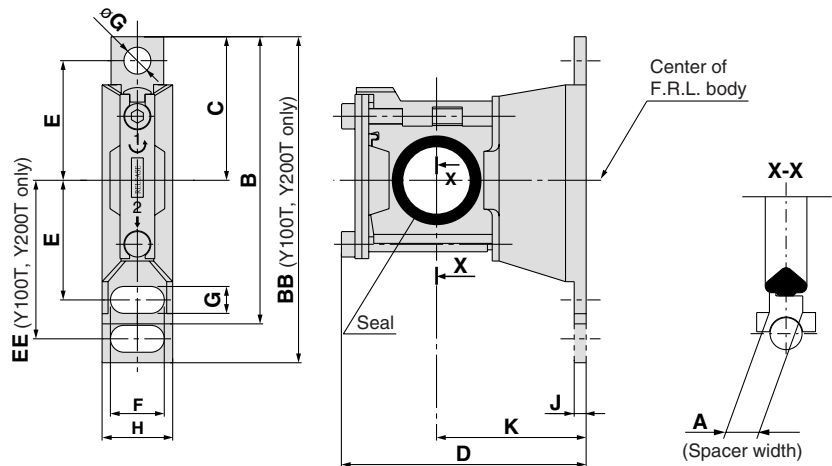
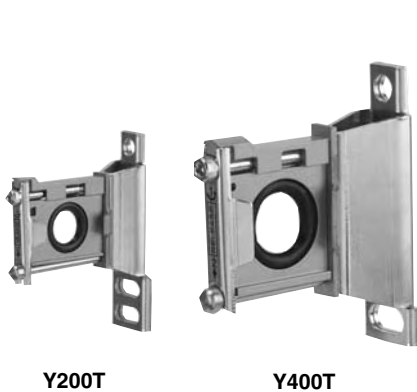
### Replacement Parts

| Description | Material                | Part no.                       |            |            |            |            |            |
|-------------|-------------------------|--------------------------------|------------|------------|------------|------------|------------|
|             |                         | Y100                           | Y200       | Y300       | Y400       | Y500       | Y600       |
| Seal        | HNBR <sup>Note 2)</sup> | Y100P-060AS <sup>Note 1)</sup> | Y200P-061S | Y300P-060S | Y400P-060S | Y500P-060S | Y600P-060S |

Note 1) Assembly of 2 O-rings

Note 2) NBR is used for Y100 spacer because of no direct contact with fluid.

## Spacer with Bracket



| Model | A | B   | BB | C    | D    | E  | EE | F   | G   | øG  | H  | J   | K  | Applicable model                                       |
|-------|---|-----|----|------|------|----|----|-----|-----|-----|----|-----|----|--|
| Y100T | 6 | —   | 56 | 24.5 | 40.5 | 20 | 27 | 6.8 | 4.5 | 4.5 | 14 | 2.8 | 25 | AC10□  |
| Y200T | 3 | —   | 67 | 29   | 53   | 24 | 33 | 12  | 5.5 | 5.5 | 19 | 3.2 | 30 | AC20□  |
| Y300T | 4 | 82  | —  | 41   | 68   | 35 | —  | 14  | 7   | 7   | 21 | 4   | 41 | AC25□, AC30□   |
| Y400T | 5 | 96  | —  | 48   | 81.5 | 40 | —  | 18  | 9   | 9   | 26 | 4   | 50 | AC40□  |
| Y500T | 5 | 96  | —  | 48   | 86   | 40 | —  | 18  | 9   | 9   | 27 | 4.6 | 50 | AC40□-06   |
| Y600T | 6 | 120 | —  | 60   | 112  | 50 | —  | 20  | 11  | 11  | 31 | 6.4 | 70 | AC50, AC55, AC60, AC50A, AC60A,<br>AC50B, AC55B, AC60B |

### Replacement Parts

| Description | Material                | Part no.                       |            |            |            |            |            |
|-------------|-------------------------|--------------------------------|------------|------------|------------|------------|------------|
|             |                         | Y100T                          | Y200T      | Y300T      | Y400T      | Y500T      | Y600T      |
| Seal        | HNBR <sup>Note 2)</sup> | Y100P-060AS <sup>Note 1)</sup> | Y200P-061S | Y300P-060S | Y400P-060S | Y500P-060S | Y600P-060S |

Note 1) Assembly of 2 O-rings

Note 2) NBR is used for Y100T spacer because of no direct contact with fluid.

- AC
- AF□
- AR
- AL
- AW□
- A□G
- AV
- AF800
- AF900