

Please carefully read and save these instructions before attempting to assemble, maintain, install, or operate this product. Observe all safety information to protect yourself and others. Failure to observe the instructions may result in property damage and/or personal injury. Please keep instructions for future reference.

## Important Operating Instructions



## ENGINE CLEANING GUN

**Model: 50119**

### CALIFORNIA PROPOSITION 65

**WARNING:** You can create dust when you cut, sand, drill or grind materials such as wood, paint, metal, concrete, cement, or other masonry. This dust often contains chemicals known to cause cancer, birth defects, or other reproductive harm. Wear protective gear.

**WARNING:** This product or its power cord may contain chemicals, including lead, known to the State of California to cause cancer and birth defects or other reproductive harm. Wash hands after handling.

### Important!

When using equipment, a few safety precautions must be observed to avoid injuries and damage. Please read the complete operating manual with due care. Keep this manual in a safe place, so that the information is available at all times. If you give the equipment to any other person, give them these operating instructions as well. We accept no liability for damage or accidents which arises due to

non-observance of these instructions and the safety information herein.

### SPECIFICATIONS

**Operating air pressure:** 60PSI

**Maximum air pressure:** 90PSI

**Air consumption:** 3.0 CFM @ 60PSI

**Air inlet size:** 1/4 inch - 18 NPT

**Activation method:** Push Spring Loaded Knurled Knob Trigger

### CAUTION:

**FOR YOUR OWN SAFETY  
READ INSTRUCTION MANUAL  
COMPLETELY AND  
CAREFULLY BEFORE  
OPERATING.**

**Any failures made in  
following the safety  
regulations and instructions**

may result in an electric shock, fire and/or serious injury.

### SAFETY INSTRUCTIONS

#### Work Area Safety

- Keep work area clean and well lit. Cluttered or dark areas invite accidents.
- Keep children and bystanders away while operating this high pressure engine cleaning gun. Distractions may cause you to lose control.

#### Personal Safety

- Stay alert, watch what you are doing and use common sense when operating this tool. Do not use while you are tired or under the influence of drugs, alcohol, or medication. A moment of inattention while operating may result in serious personal injury.
- Use proper safety equipment. Always wear ANSI approved safety goggles. Safety equipment

For warranty purchases, please keep your dated proof of purchase. File or attach to the manual for safekeeping.

such as a full face shield, work gloves, and non-skid safety shoes, used for appropriate conditions, will reduce personal injuries.

- Do not overreach. Keep proper footing and balance at all times. This enables better control in unexpected situations.

### **Power tool use and care**

- Use the correct tool for the job. The correct tool will produce better and safer results doing what it was designed to do.

- Do not use the engine cleaning gun if the knurled knob trigger will not start and completely stop the action of this tool. Any tool that cannot be controlled with the trigger/switch is dangerous and must be repaired before use.

- Disconnect the air supply before making any adjustments or storing the engine cleaning gun. Such preventative safety measures reduces the risk of activating the tool accidentally.

- Store this tool out of the reach of children. Do not allow persons unfamiliar with the engine cleaning gun or these instructions to operate this tool. Tools can be very dangerous in the hands of untrained users.

- Before use, check for siphon hose leaks and any other condition that may affect the

tool's operation. If damaged, have the tool repaired by a qualified technician before use. Many accidents are caused by poorly maintained tools.

- Use this engine cleaning gun in accordance with these instructions and in the manner intended for the particular type of tool, taking into account the working conditions and the work to be performed. Use of the engine cleaning gun for operations different from those intended could result in a hazardous situation.

### **Service**

- Have your engine cleaning gun serviced by a qualified repair personnel using only identical replacement parts. This will ensure that the safety of the tool is maintained.

## **SPECIFIC SAFETY RULES**

### **WARNING**

To prevent serious injury and/or property damage, follow these safety rules.

- Use only with approved engine cleaning fluids.
- Wear ANSI approved safety glasses under a full face shield, along with a dust mask during use. Wear work gloves to protect your hands.
- Do not use near ignition sources.
- Use only for intended purposes. Always work in a well ventilated area.
- Do not exceed the maximum

air pressure of 90 PSI.

- Do not point the engine cleaning gun at people, animals, or yourself at any time.
- Inspect the tool before use; do not use if parts are loose or damaged.
- Read and follow all manufacturer's instructions, safety warnings and procedures for the air compressor used with the engine cleaning gun.
- Do not clean or touch hot engines. Always let the engine cool before using this tool.
- Maintain labels and nameplates on the tool, they carry important safety information. If the labels are unreadable or missing, contact your service representative for a replacement.
- Before attaching the air hose, or turning on the tool, make sure you have everything you need to begin cleaning.
- When using a handheld power tool, maintain a firm grip on the tool, using both hands at startup.
- Do not leave the tool unattended when it is attached to an air supply. Turn off the tool and disconnect the air supply before leaving.
- This product is not a toy. Keep it out of the reach of children.
- The warnings, precautions, and instructions discussed in this instruction manual cannot

cover all possible conditions and situations that may occur. It must be understood by the operator that common sense and caution are factors that cannot be built into this product, but must be supplied by the operator.

## UNPACKING

When unpacking, check to make sure that the item is intact and undamaged. If any parts are missing or broken, please call the customer service number located on this manual as soon as possible.

## SET UP INSTRUCTIONS

### WARNING

Disconnect the Engine Cleaning Gun from its air supply before making any adjustments to the tool.

**NOTE:** For additional information regarding the parts listed in the following pages, refer to the parts list located at the end of this manual.

## OPERATING INSTRUCTIONS

**NOTE:** Read the **ENTIRE SAFETY INFORMATION** sections at the beginning of this manual before set-up or use of this product.

1. Before using, disconnect the positive battery cable of the engine you will be cleaning.
2. Attach the air supply to the Air Inlet of the Engine Cleaning Gun.
3. Turn ON your air supply.
4. Set the compressor air

regulator to 60 PSI. Do not exceed the maximum air pressure of 90 PSI.

5. Always wear a full face shield with ANSI approved safety goggles and a dust mask to prevent back spray from contacting your eyes, nose, or mouth while using this tool.

6. Point the engine cleaning gun in a safe direction. Press the knurled knob trigger (see figure below) quickly and release. The gun should start and stop completely. If it does not operate properly, do not use it until it can be adjusted or repaired.



7. a container of engine cleaning solution.

8. You can adjust the amount of engine cleaning solution being used by turning the siphon control knob counterclockwise for more solution or clockwise for less solution.

9. Hold the end of the spray nozzle approximately 6 to 10 inches from engine and squeeze the knurled trigger.

10. It is best to keep the gun in motion with a back and forth action.

11. When the job is completed, flush the siphon

hose by placing it into a container filled with clean, clear water and spraying it in a safe direction until only the clean water comes from the spray nozzle.

12. To prevent accidents, disconnect the air supply after use and store the tool in a cool, dry place, out of the reach of children.

## MAINTENANCE AND SERVICING

### WARNING

Before performing any inspection, maintenance, or cleaning, disconnect the air supply.

Damaged equipment can fail, causing serious personal injury. Do not use damaged equipment. If anything appears abnormal, have the problem corrected before further use.

## CLEANING, MAINTENANCE, AND LUBRICATION

1. **BEFORE EACH USE**, inspect the general condition of the tool. Check for loose hose connections, cracked hoses, inoperative trigger and siphon controls, cracked or broken parts, and any other condition that may affect safe operation.
2. **AFTER USE**, clean the external surfaces of the tool with a clean, moist cloth.

---

---

## Troubleshooting Guide

Symptom	Possible Cause(s)	Corrective Action
Tool has low air output	Broken hoses, loose connections	Check all hoses for leaks and connections. Replace if necessary.
	Air Regulator is not set at the proper PSI	Check to make sure the Air Regulator is set at 60 PSI
	The Siphon Control Knob is in a closed position	Open the Siphon Valve

---

## **Limited Manufacturer Warranty**

*North American Tool (NAT) Industries makes every effort to ensure that this product meets high quality and durability standards. NAT warrants to the original retail consumer a 1-year limited warranty from the date the product was purchased at retail and each product is free from defects in materials. Warranty does not apply to defects due directly or indirectly to misuse, abuse, negligence or accidents, repairs or alterations, or a lack of maintenance. NAT shall in no event be liable for death, injuries to persons or property, or for incidental, special or consequential damages arising from the use of our products. To receive service under warranty, the original manufacturer part must be returned for examination by an authorized service center. Shipping and handling charges may apply. If a defect is found, NAT will either repair or replace the product at its discretion.*

## **DO NOT RETURN TO STORE**

For Customer Service:

Email: [feedback@natitools.com](mailto:feedback@natitools.com) or Call 1-800-348-5004



# ENGINE CLEANING GUN

Model: 50119

## Parts List

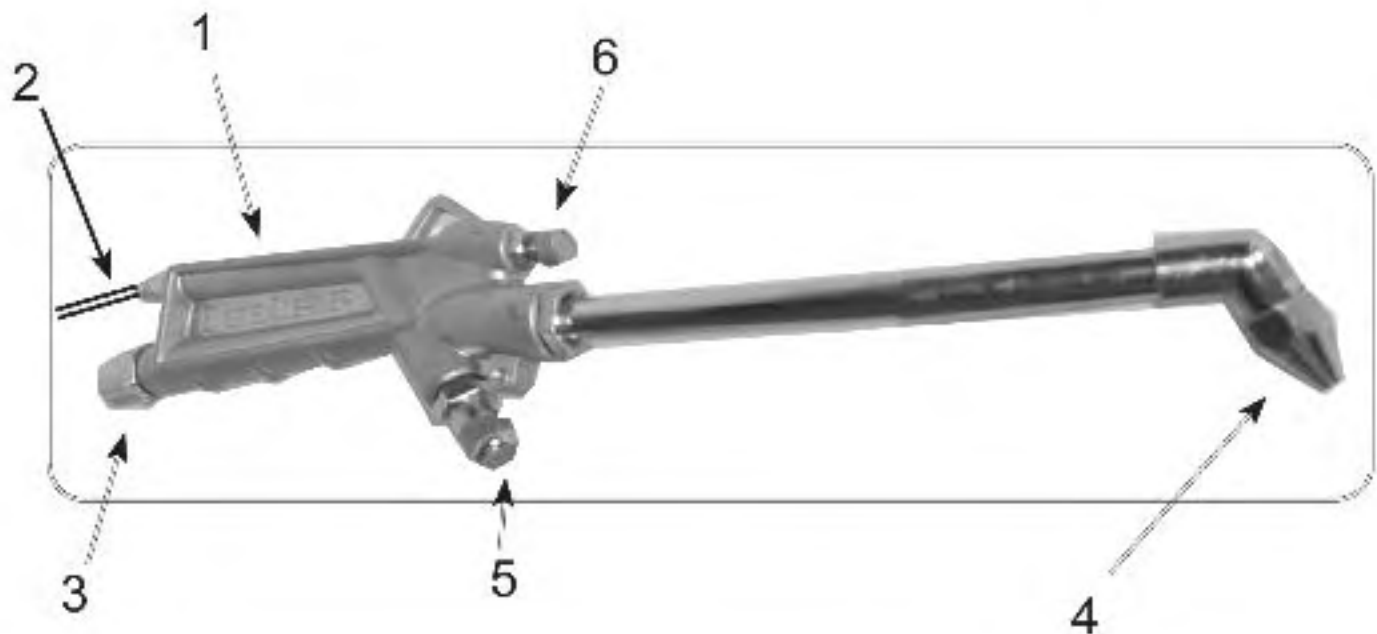
### Call 1-800-348-5004 for assistance or replacement parts

Please provide the following information:

- Model number
- Part description and number as shown in parts list
- Serial number (if any)

Address any correspondence to:

North American Tool Industries  
84 Commercial Rd.  
Huntington, IN 46750



No.	Description	Quantity
1	Engine Cleaning Gun Body	1
2	4in. Siphon Hose	1
3	Air Inlet	1

No.	Description	Quantity
4	Spray Nozzle	1
5	Knurled Knob Trigger	1
6	Siphon Control Knob	1