



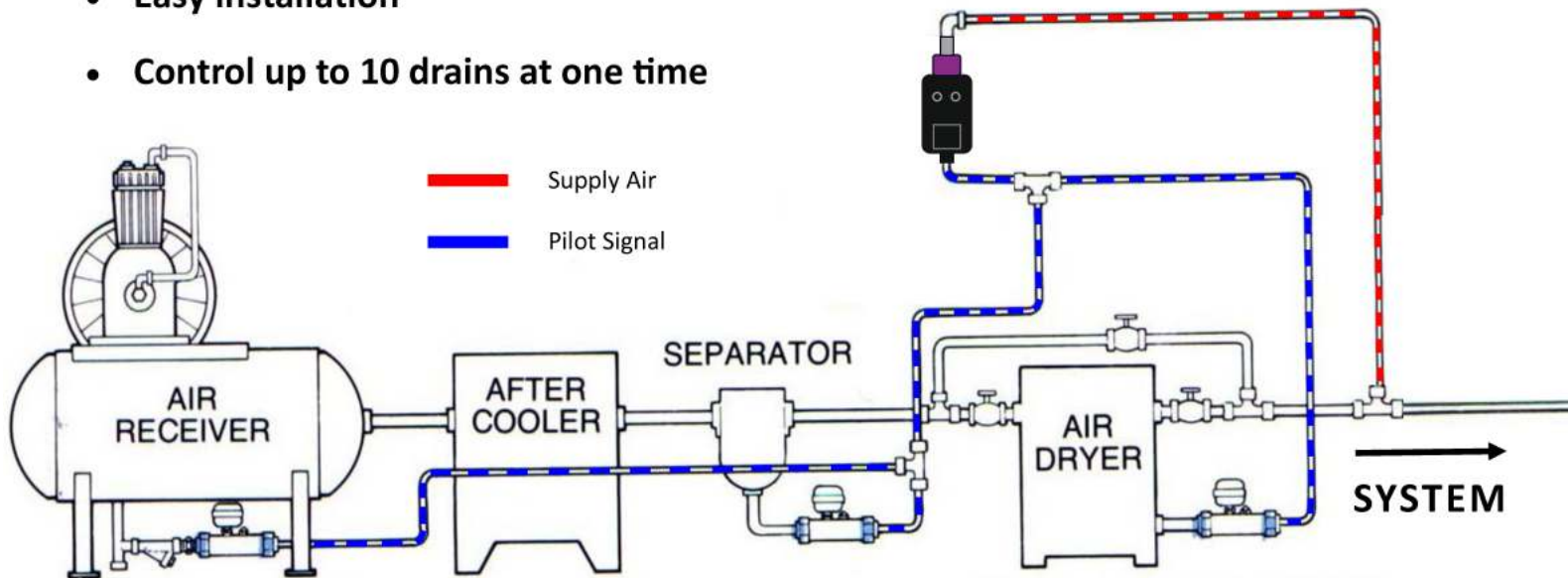
Drain Minder II Automatic Timer

P/N 144-0001

Failure to routinely drain your compressed air system, manually or by other means, can have catastrophic results. The *Drain Minder II Automatic Timer* provides a pilot signal to actuate multiple Moisture Minder® automatic drain valves.

Benefits of Drain Minder II

- Provides air pilot signal to control multiple Moisture Minder® automatic drain valves.
- Maximize your air system performance by continuously draining condensate from receivers, aftercoolers, intercoolers, air dryers, separators, drip legs, etc.
- Drains can be located 100ft. from controller
- Drains can be installed in explosion-proof rooms because of air pilot signal
- Easy installation
- Control up to 10 drains at one time



Tsunami Compressed Air Solutions™ is a division of



Toll Free: 1-800-782-5752

Fax: (763) 295-6601

Website: www.tsunami.us.com

E-mail: info@gosuburban.com